

United States Patent [19]

Hardy

[11] Patent Number: **Des. 299,970**

[45] Date of Patent: **** Feb. 21, 1989**

[54] **SILL MEMBER FOR A WINDOW OR DOOR CONSTRUCTION**

[75] Inventor: **Terence Hardy, Ripley, England**

[73] Assignee: **L. B. (Plastics) Limited, England**

[**] Term: **14 Years**

[21] Appl. No.: **916,465**

[22] Filed: **Oct. 7, 1986**

[52] U.S. Cl. **D25/124**

[58] Field of Search **D25/52, 119-125;
49/413, 419, 501, 504, DIG. 2**

[56]

References Cited

U.S. PATENT DOCUMENTS

D. 245,709 9/1977 Dallaire D25/119
3,345,794 10/1967 Proud D25/123 X

Primary Examiner—A. Hugo Word
Attorney, Agent, or Firm—W. Thad Adams, III

[57]

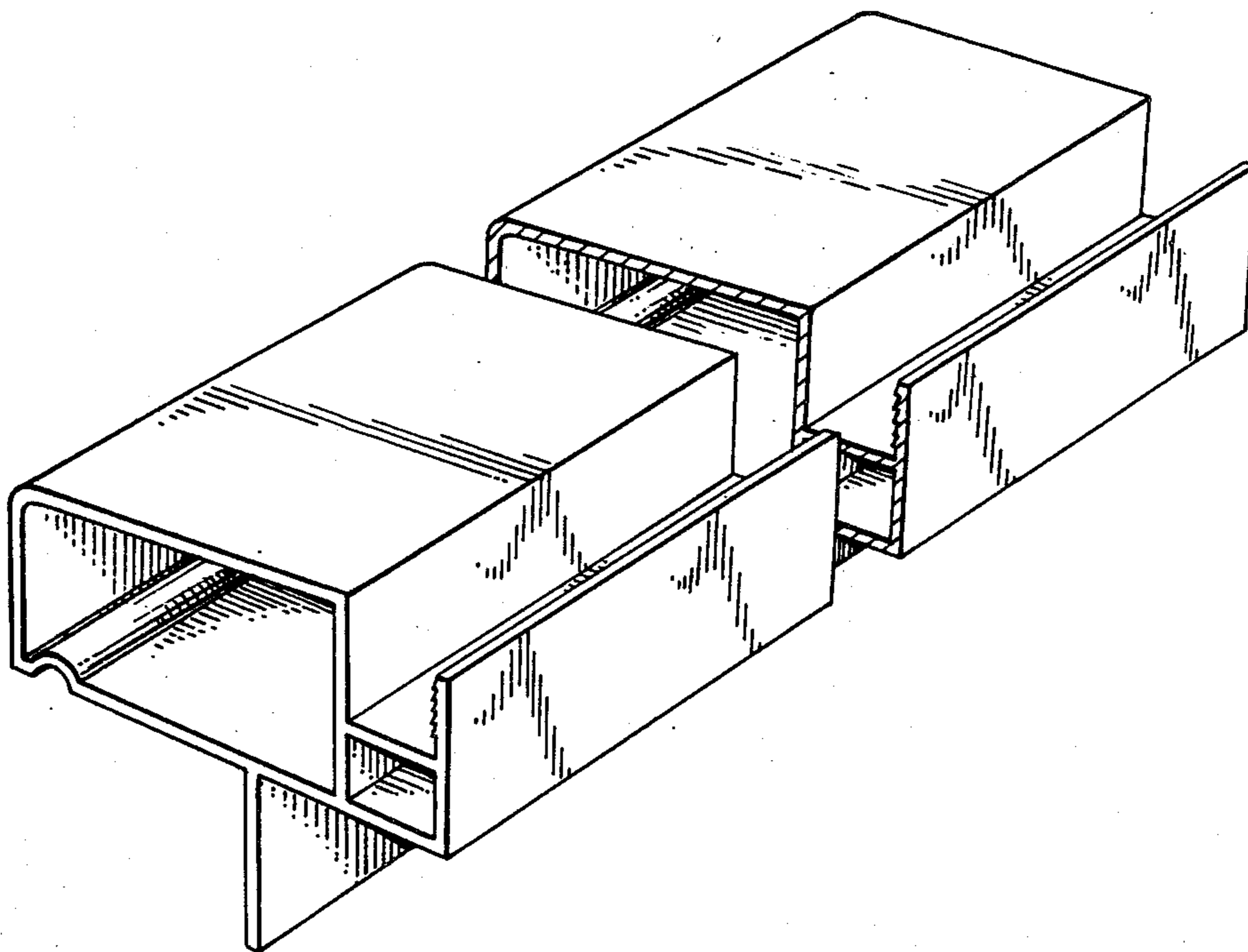
CLAIM

The ornamental design for a sill member for a window or door construction, as shown and described.

DESCRIPTION

FIG. 1 is a perspective view of a sill member for a window or door construction embodying my design wherein the centre portion is broken away to indicate indeterminate length;

FIG. 2 is an end view thereof.



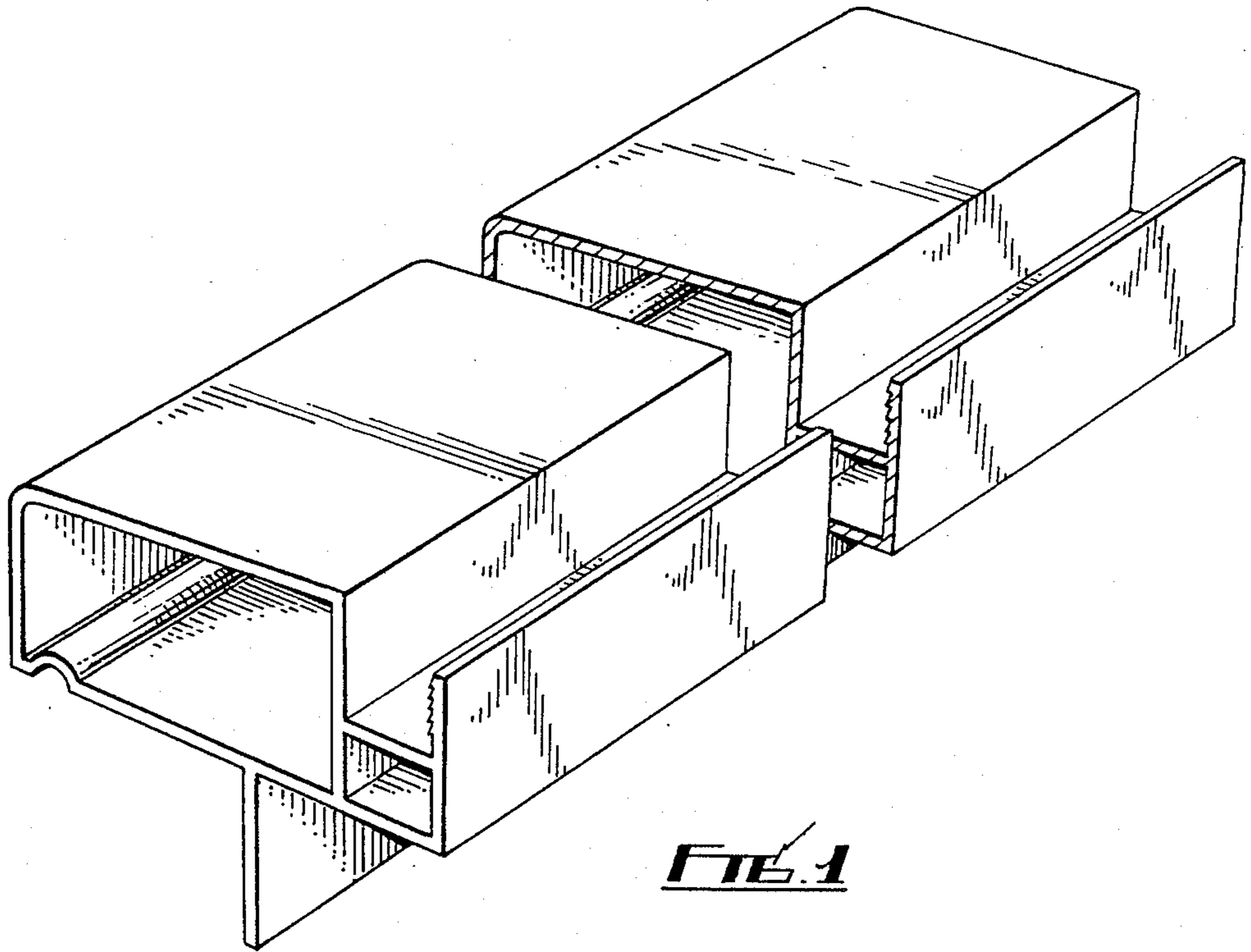


FIG. 1

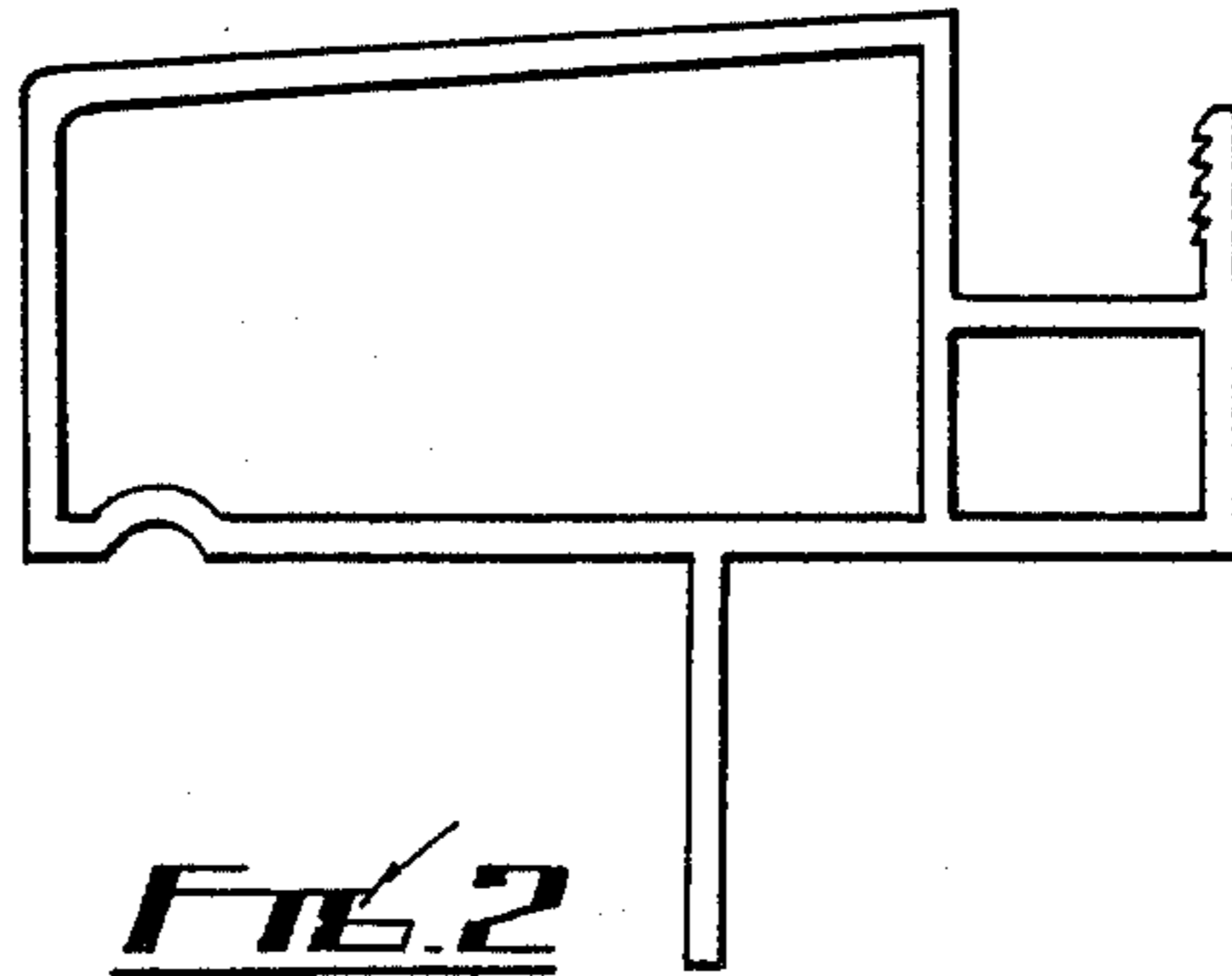


FIG. 2