

[54] **FRAME MEMBER FOR A WINDOW OR DOOR CONSTRUCTION**

[75] **Inventor: Terence Hardy, Ripley, England**

[73] **Assignee: L.B. (Plastics) Limited, England**

[**] **Term: 14 Years**

[21] **Appl. No.: 916,478**

[22] **Filed: Oct. 7, 1986**

[52] **U.S. Cl. D25/124**

[58] **Field of Search D25/52, 119-125; 49/413, 419, 501, 504, DIG. 2**

[56] **References Cited**

U.S. PATENT DOCUMENTS

- D. 258,614 3/1981 Dallaire D25/119
- D. 285,613 9/1986 Slocumb, Jr. D25/124
- 4,048,774 9/1977 Yamamoto D25/124 X

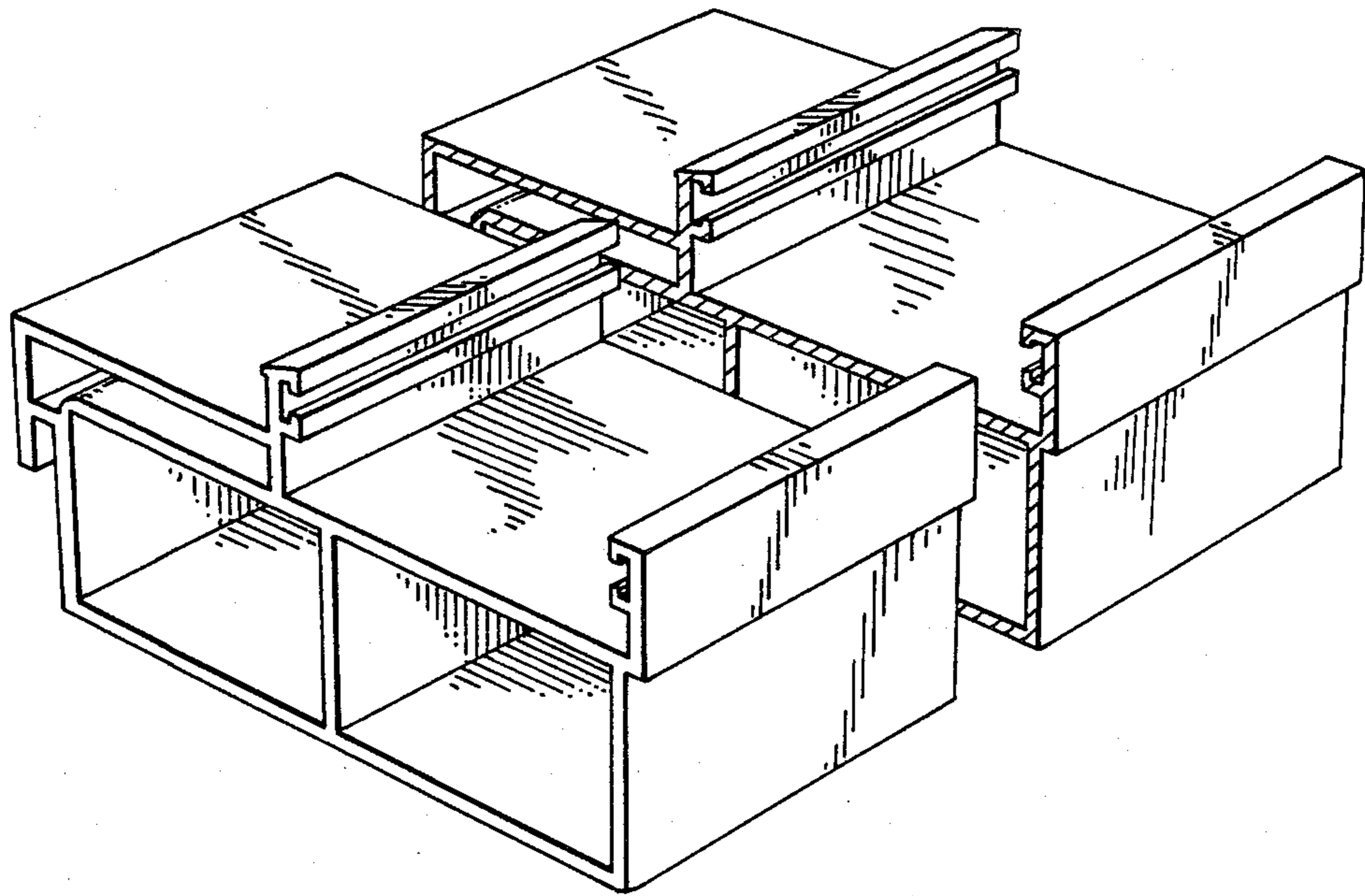
Primary Examiner—A. Hugo Word
Attorney, Agent, or Firm—W. Thad Adams, III

[57] **CLAIM**

The ornamental design for a frame member for a window or door construction, as shown and described.

DESCRIPTION

FIG. 1 is a perspective view of a frame member embodying my design wherein the centre portion is broken away to indicate indeterminate length; FIG. 2 is an end view thereof.



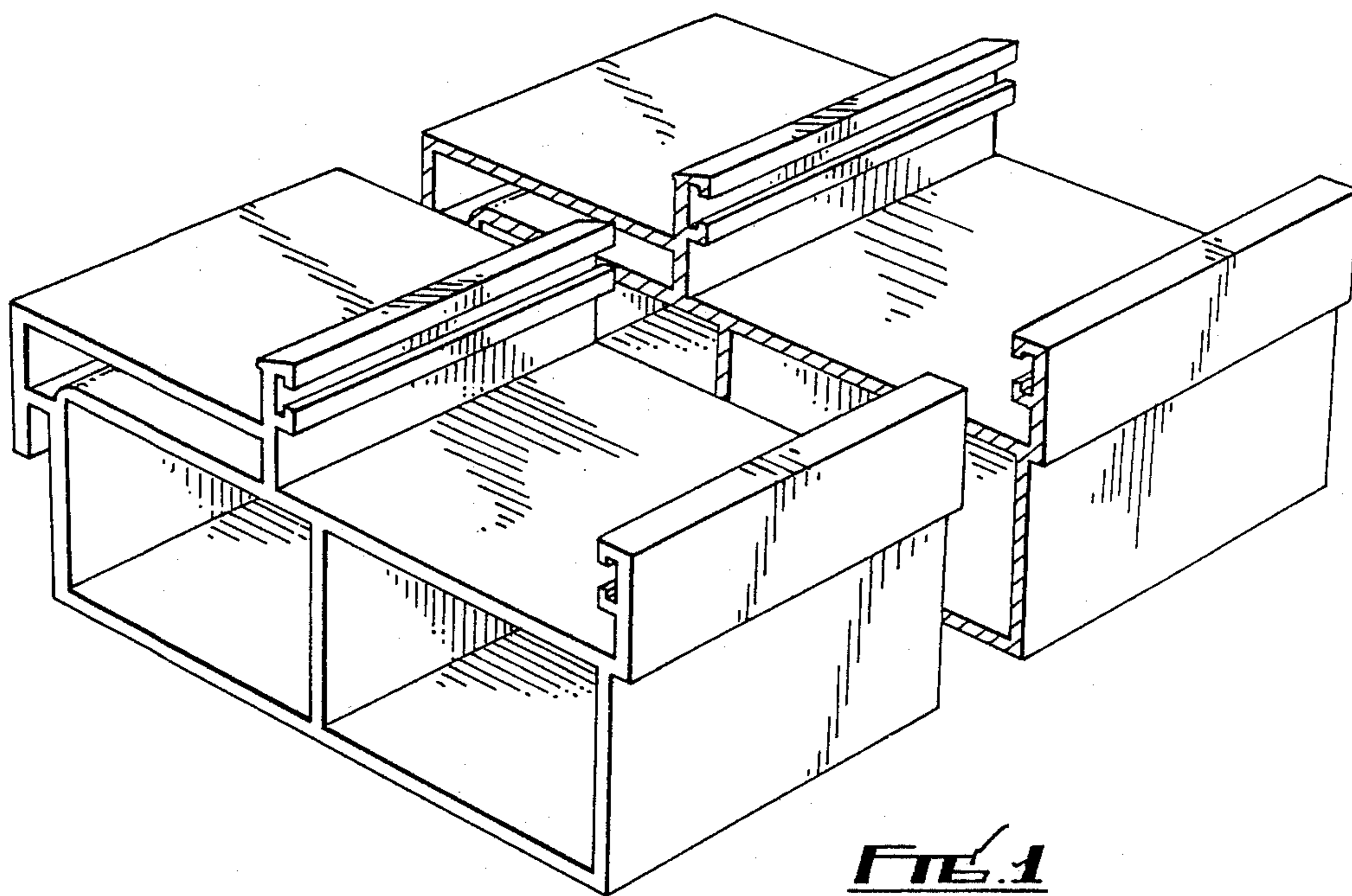


FIG. 1

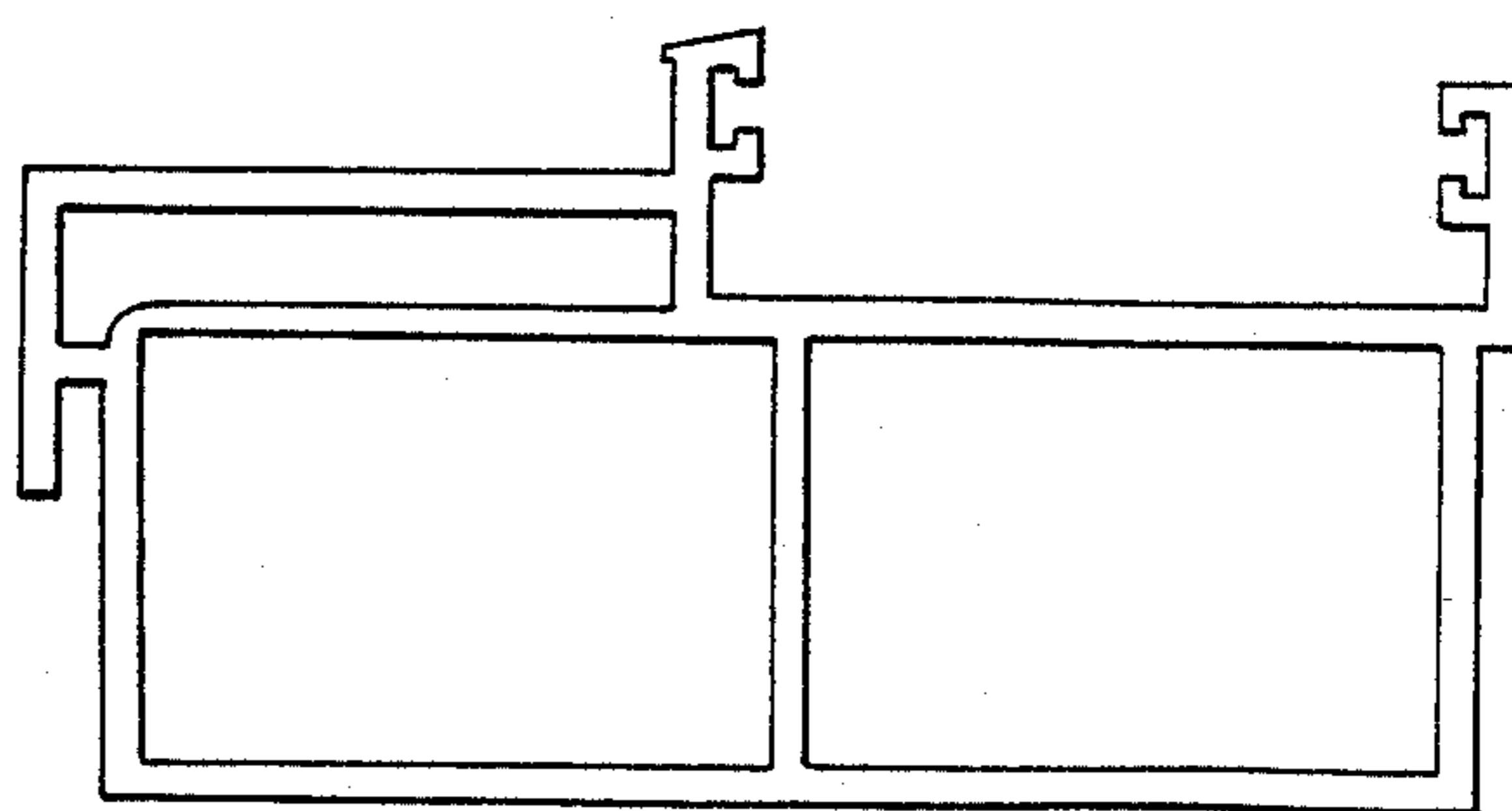


FIG. 2