

[54] **DOOR FRAME COMPONENT**

[75] **Inventors: Leon G. Litchfield; Terence Hardy,**
both of Derby, England

[73] **Assignee: L.B. (Plastics) Limited, England**

[**] **Term: 14 Years**

[21] **Appl. No.: 772,544**

[22] **Filed: Sep. 4, 1985**

[30] **Foreign Application Priority Data**

Mar. 6, 1985 [GB] United Kingdom 1025409

[52] **U.S. Cl. D25/124**

[58] **Field of Search D25/60, 119, 122, 124;**
49/413, 415, 419, 501; 52/287, 288, 202, 203,
475, 476, 716, 717.1, 718.1, 721, 731

[56] **References Cited**

U.S. PATENT DOCUMENTS

D. 289,204	4/1987	Hardy	D25/124
4,555,884	12/1985	Van Eerden	D25/124
4,624,091	11/1986	Biro	52/656

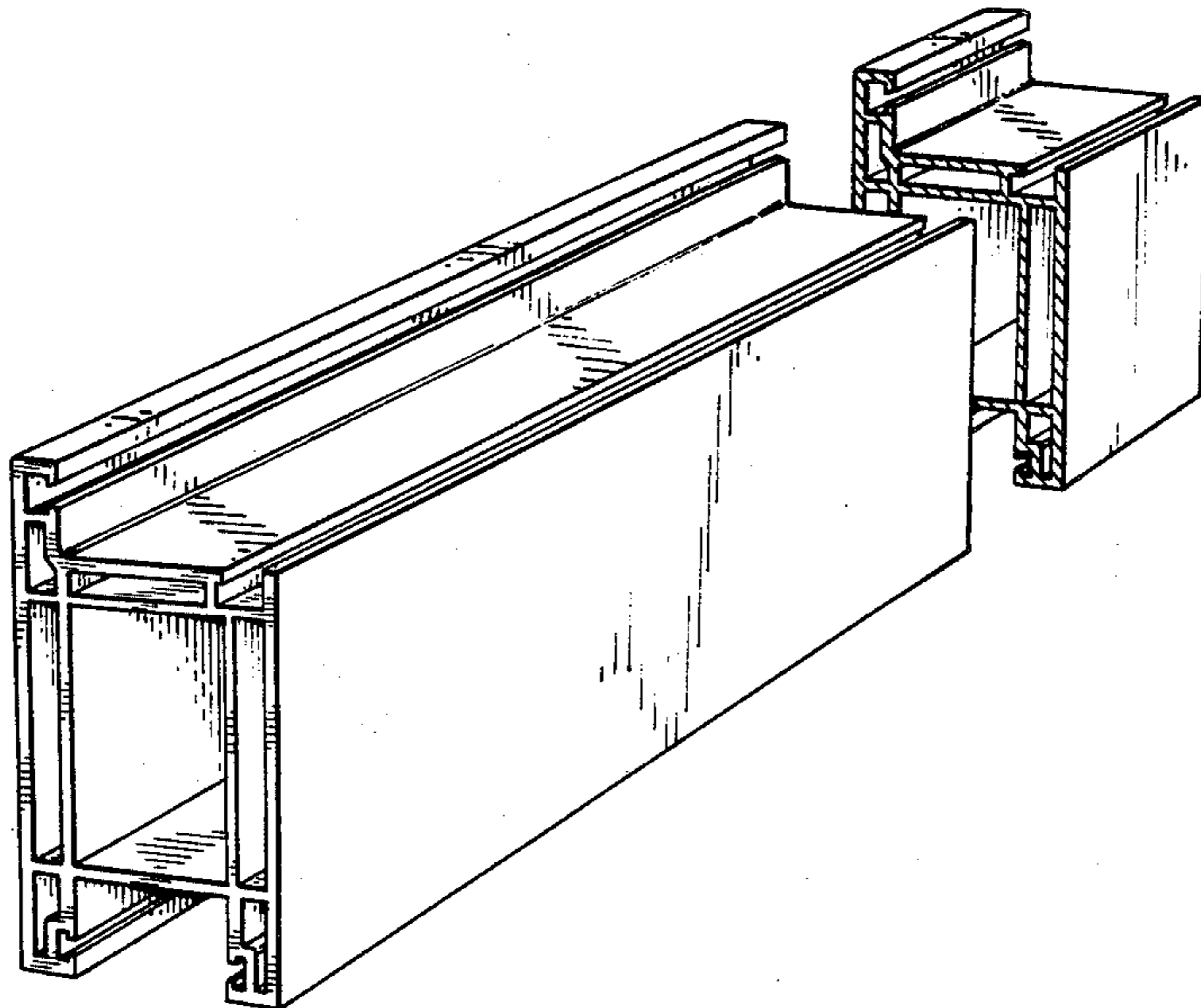
Primary Examiner—James M. Gandy
Attorney, Agent, or Firm—W. Thad Adams, III

[57] **CLAIM**

The ornamental design for a door frame component, as shown and described.

DESCRIPTION

FIG. 1 is a perspective view of a door frame component embodying our design wherein the centre portion is broken away to indicate indeterminate length; FIG. 2 is an end elevation view thereof.



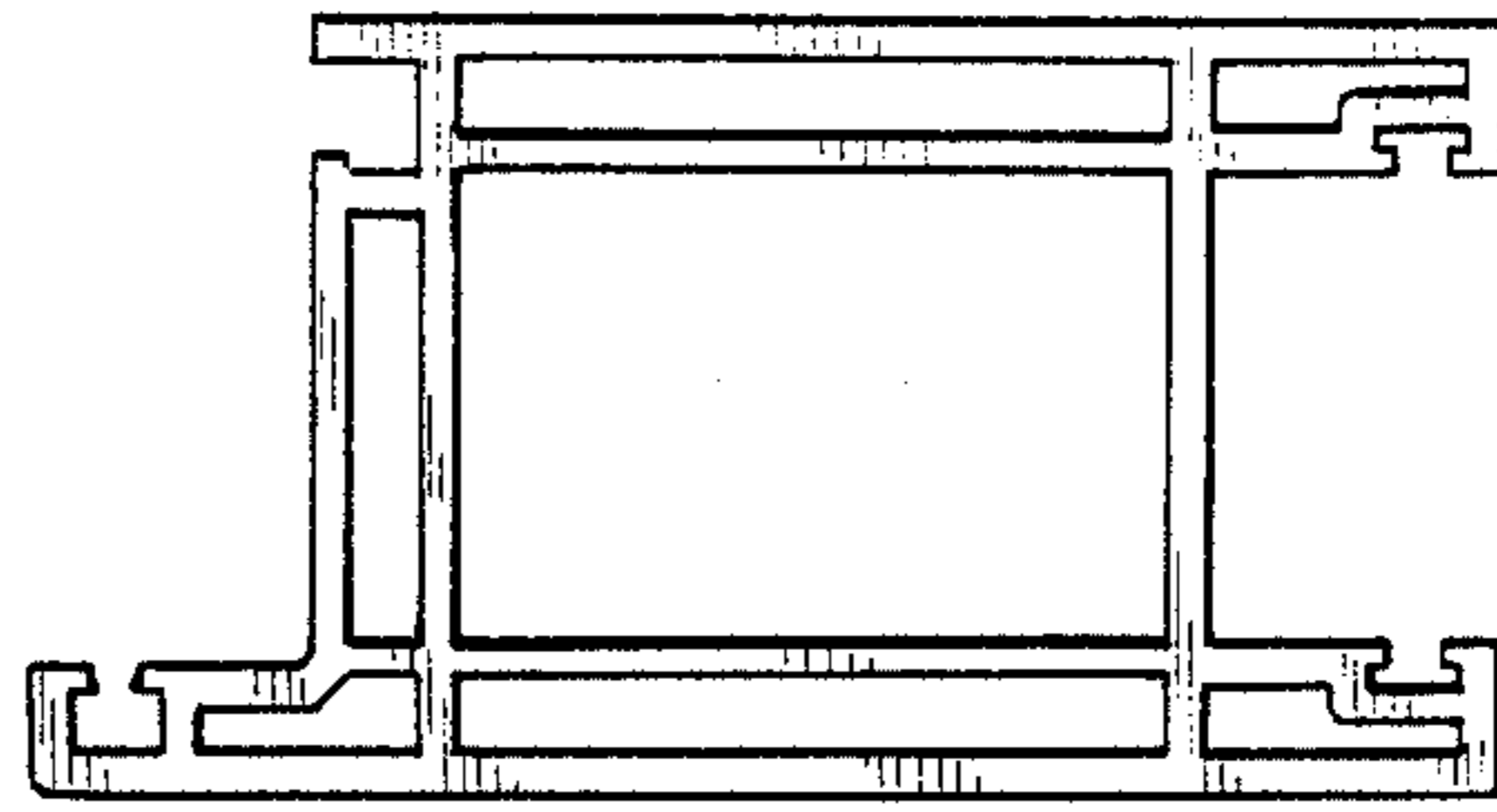


FIG. 2

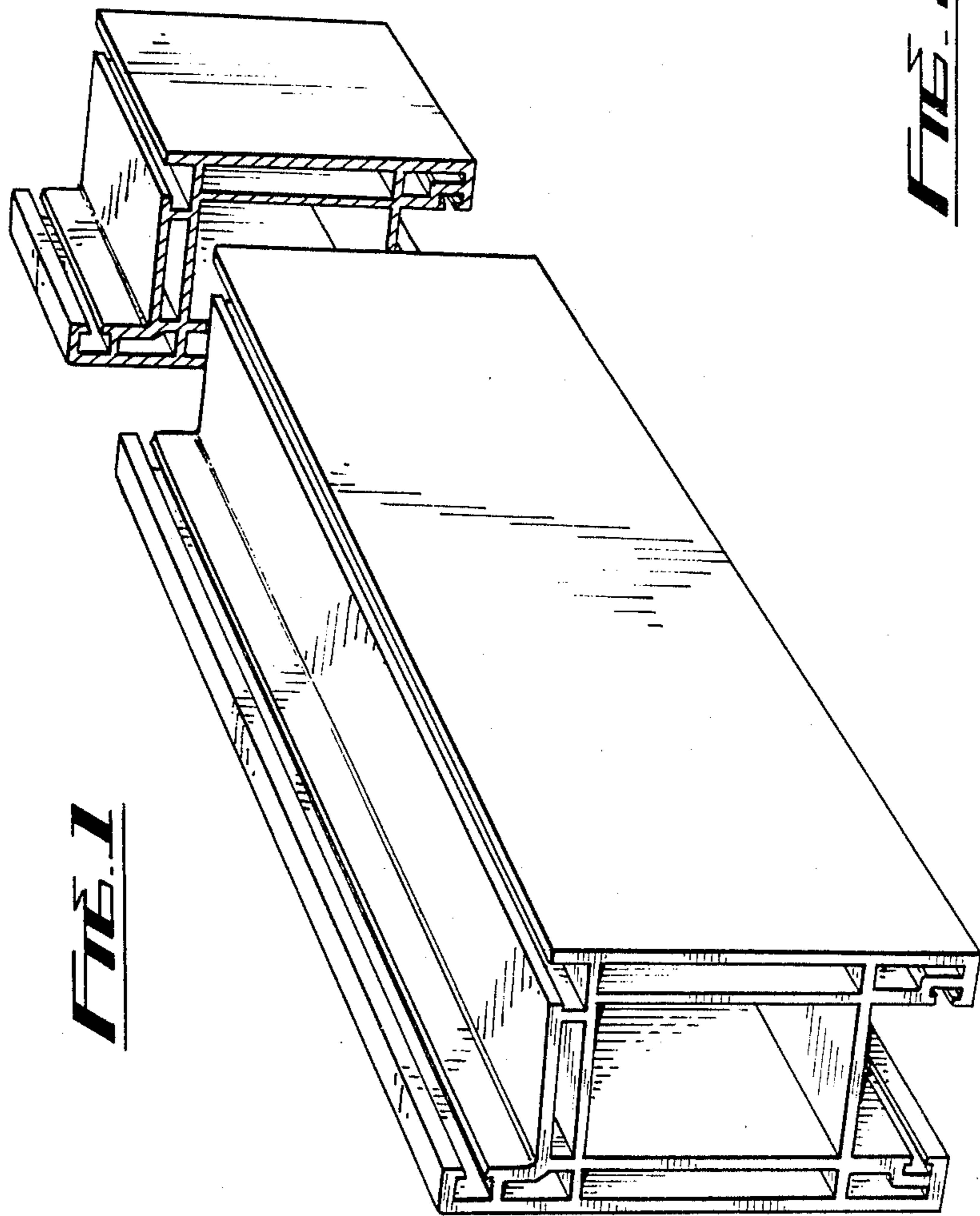


FIG. 1