

# United States Patent [19]

Litchfield et al.

[11] Patent Number: **Des. 299,964**

[45] Date of Patent: **\*\* Feb. 21, 1989**

[54] **FRAME COMPONENT FOR A PATIO DOOR**

[75] Inventors: **Leon G. Litchfield; Terence Hardy,**  
both of Derby, England

[73] Assignee: **L.B. (Plastics) Limited, England**

[\*\*] Term: **14 Years**

[21] Appl. No.: **772,545**

[22] Filed: **Sep. 4, 1985**

[30] Foreign Application Priority Data

Mar. 6, 1985 [GB] United Kingdom ..... 1025408

[52] U.S. Cl. .... **D25/124**

[58] Field of Search ..... **D25/60, 119, 122, 124;**

49/413, 415, 419, 501; 52/287, 208, 202, 203,  
475, 476, 716, 717.1, 718.1, 721, 731

[56] **References Cited**

**U.S. PATENT DOCUMENTS**

D. 289,552 4/1987 Hardy ..... D25/124

*Primary Examiner*—James M. Gandy

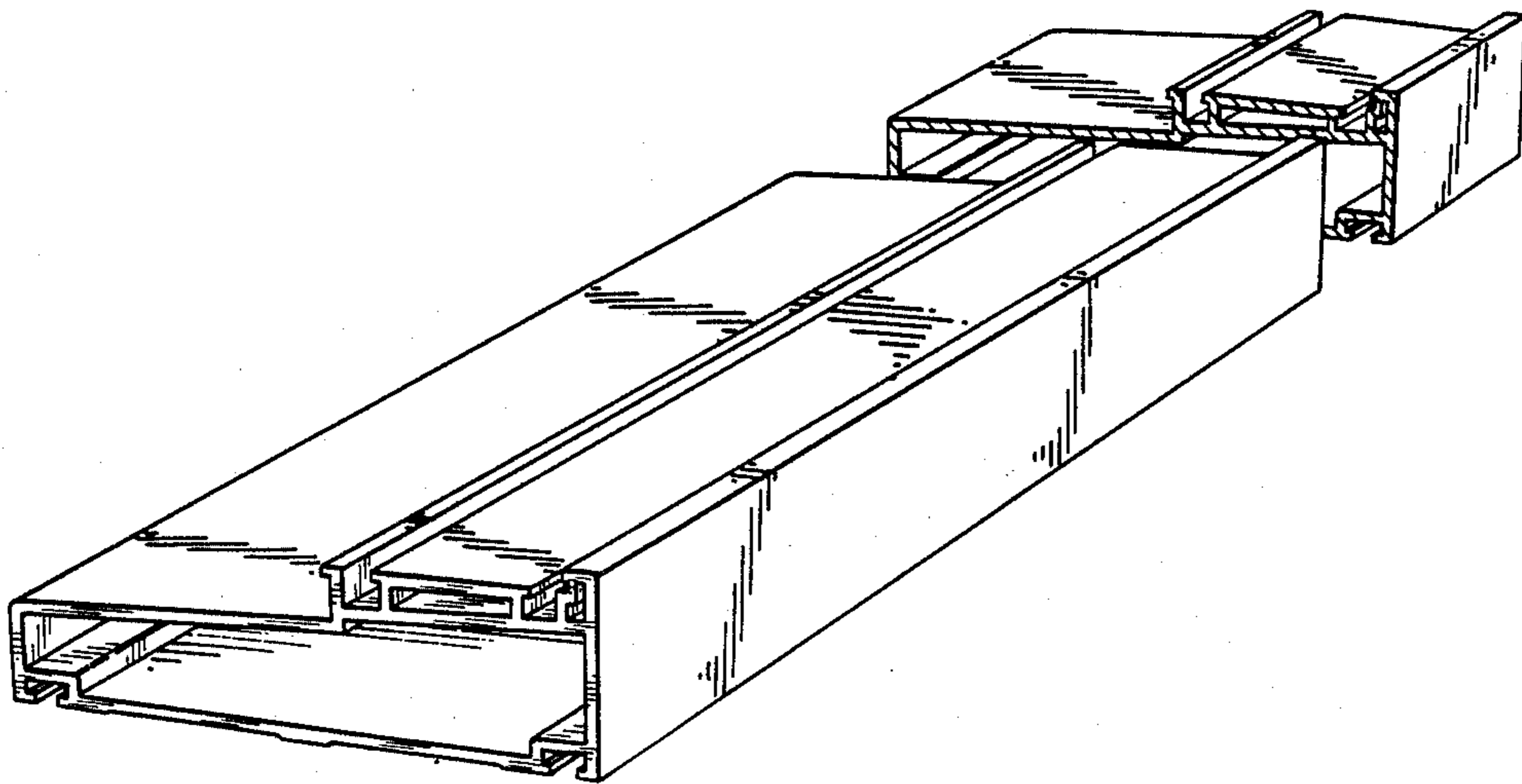
*Attorney, Agent, or Firm*—W. Thad Adams, III

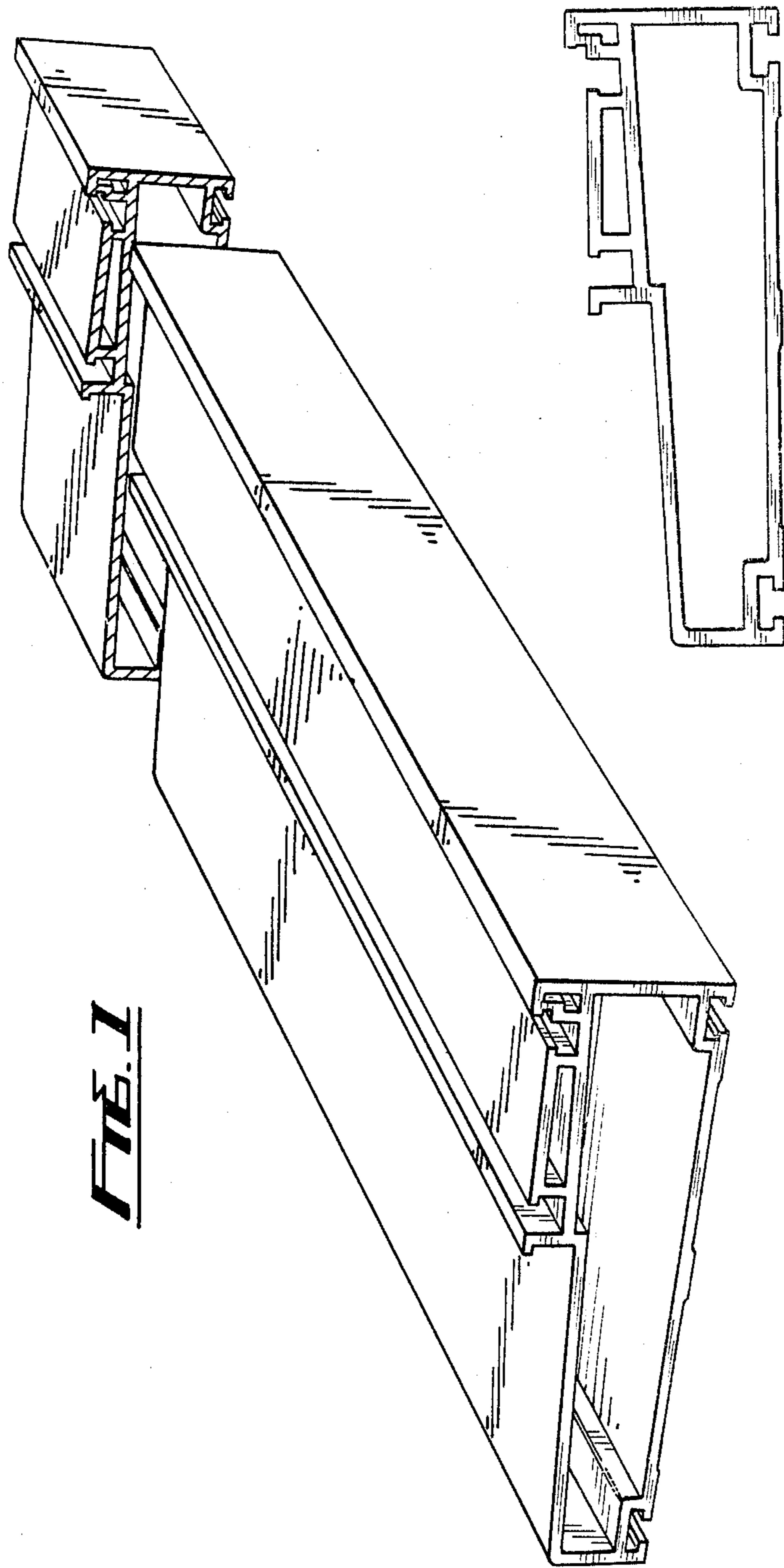
[57] **CLAIM**

The ornamental design for a frame component for a patio door as shown and described.

**DESCRIPTION**

FIG. 1 is a perspective view of a frame component for a patio door embodying our design wherein the centre portion is broken away to indicate indeterminate length; FIG. 2 is an end elevation view thereof.





**FIG. 1**

**FIG. 2**