

United States Patent [19]

Hardy

[11] Patent Number: **Des. 299,962**

[45] Date of Patent: **** Feb. 21, 1989**

[54] **COVER MEMBER FOR A WINDOW OR DOOR CONSTRUCTION**

[75] Inventor: **Terence Hardy, Ripley, England**

[73] Assignee: **L.B. (Plastics) Limited, England**

[**] Term: **14 Years**

[21] Appl. No.: **916,456**

[22] Filed: **Oct. 7, 1986**

[52] U.S. Cl. **D25/119**

[58] Field of Search **D25/119-125;**
52/288, 716, 717; 49/413, 419, 475, 501, 504,
DIG. 2

[56] **References Cited**

U.S. PATENT DOCUMENTS

D. 240,707 7/1976 Rudinski D25/122 X
D. 283,349 4/1986 Slocomb, Jr. D25/122
4,048,774 9/1977 Yamamoto D25/124 X

Primary Examiner—A. Hugo Word
Attorney, Agent, or Firm—W. Thad Adams, III

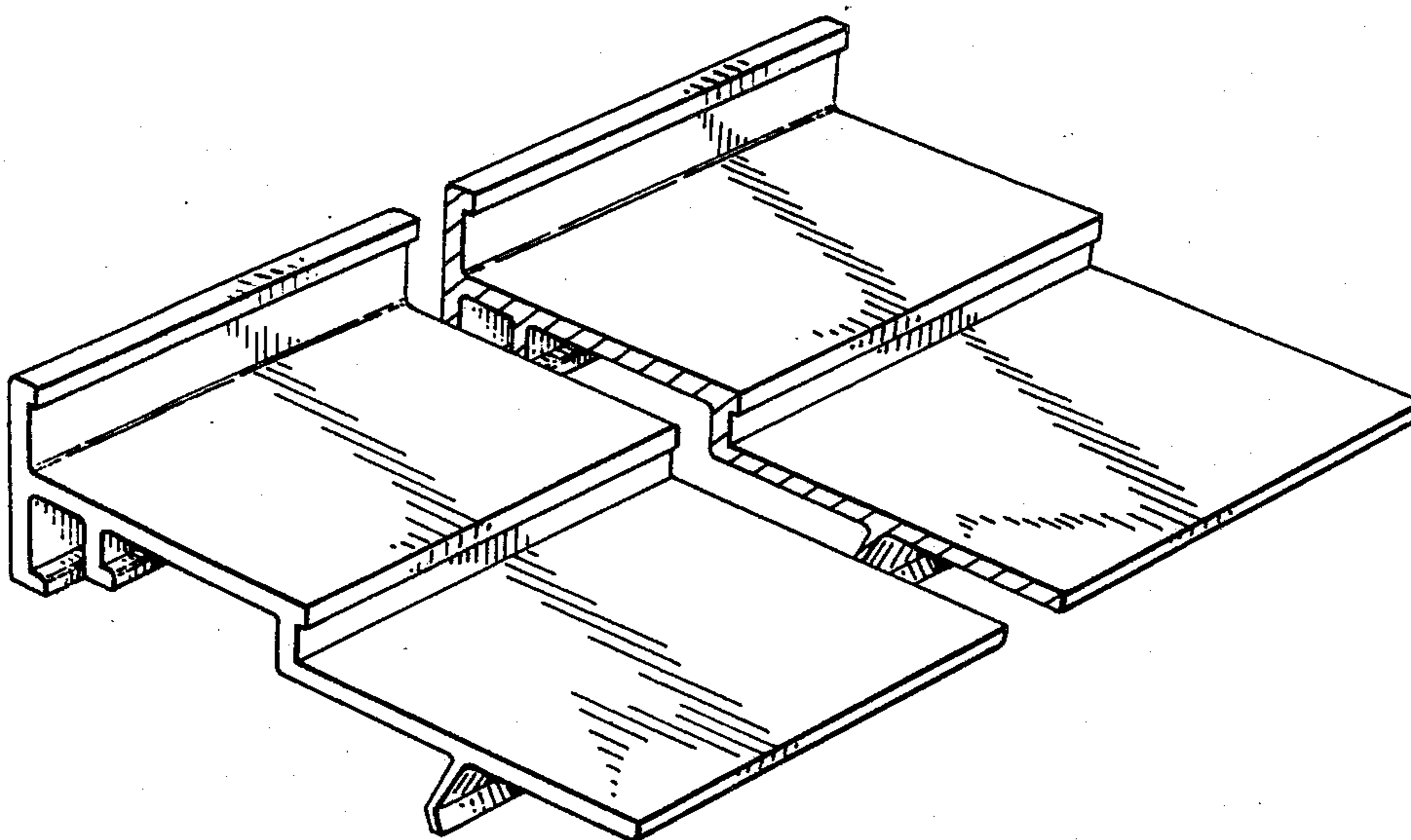
[57] **CLAIM**

The ornamental design of a cover member for a window or door construction, as shown and described.

DESCRIPTION

FIG. 1 is a perspective view of a cover member for a window or door construction embodying my design wherein the centre portion is broken away to indicate indeterminate length;

FIG. 2 is an end view thereof.



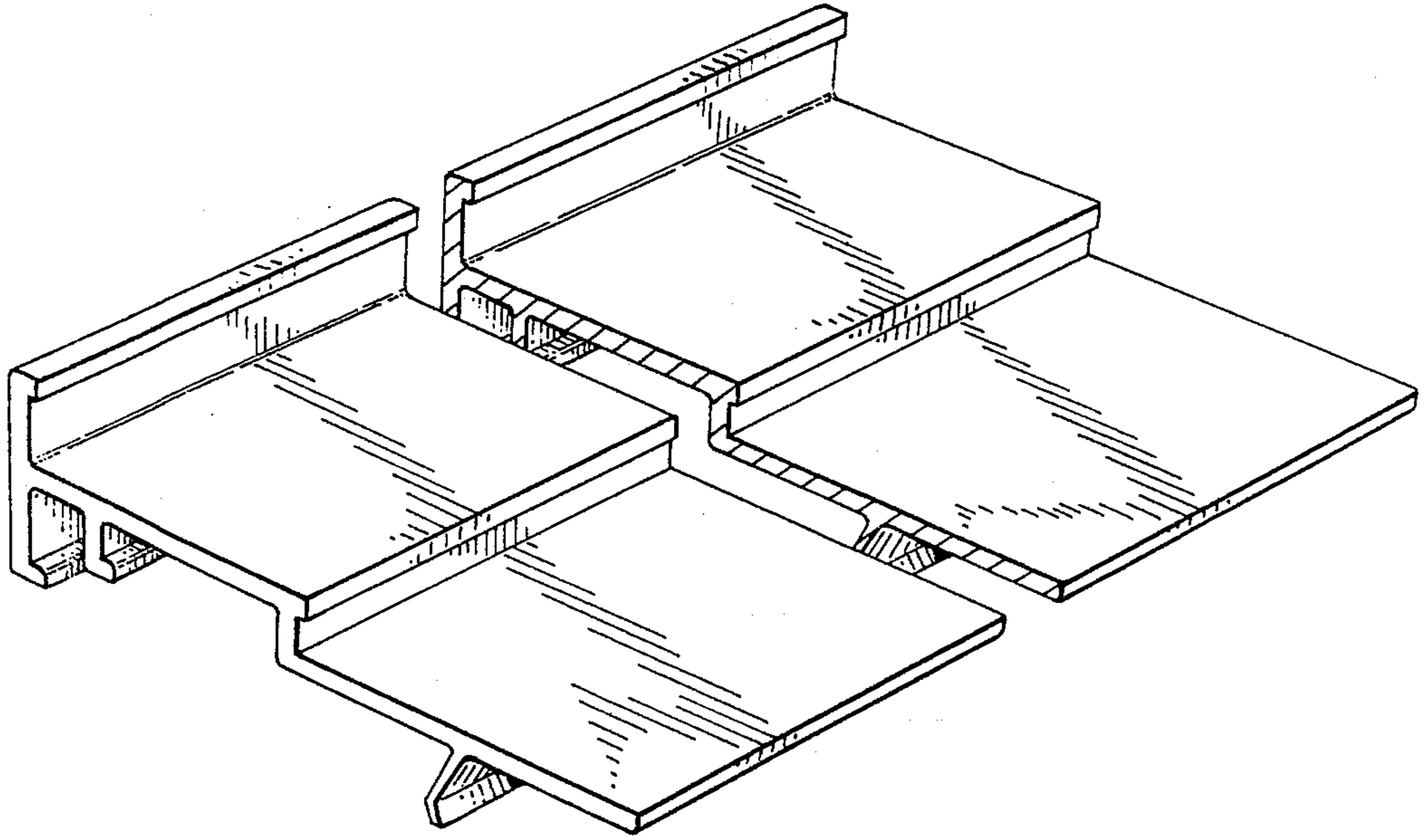


FIG. 1

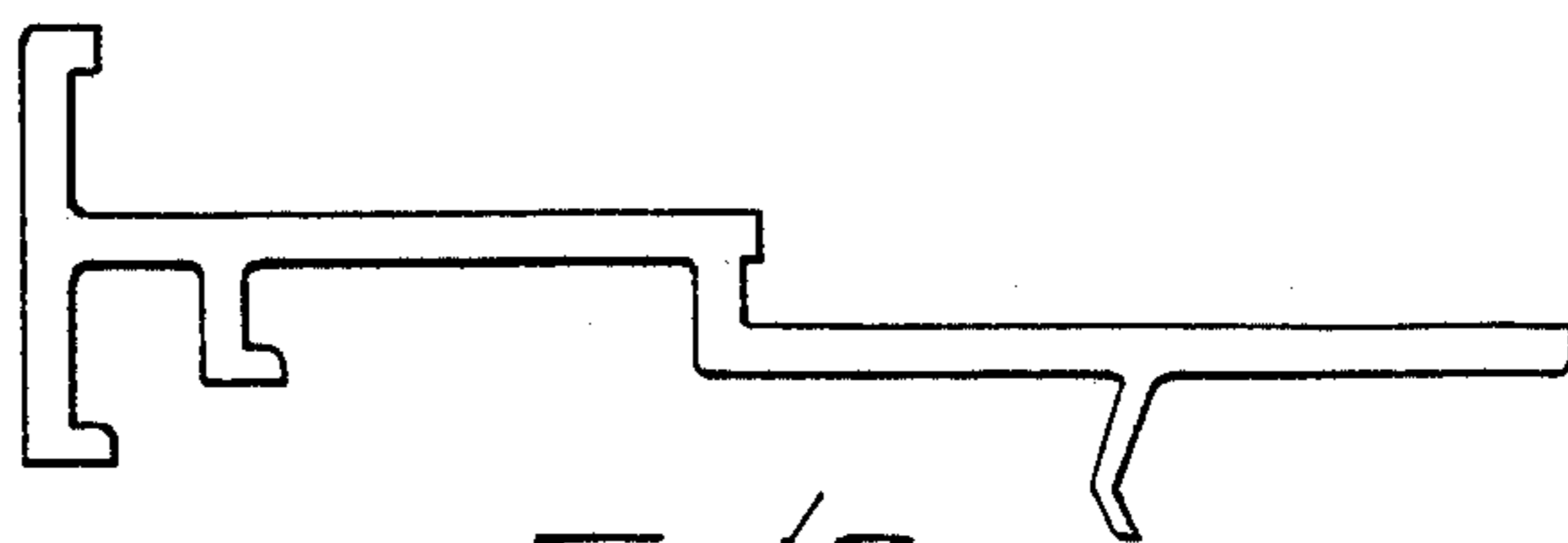


FIG. 2