

[54] **CUVETTE PACKAGE**

[75] **Inventor: William G. Kendrick, Sr., Bucks County, Pa.**

[73] **Assignee: King Diagnostics, Inc., Indianapolis, Ind.**

[**] **Term: 14 Years**

[21] **Appl. No.: 841,997**

[22] **Filed: Mar. 6, 1986**

[52] **U.S. Cl. D24/31; D24/8**

[58] **Field of Search D24/31, 1; 422/99, 104; 206/557, 561, 562, 563, 564, 565; D9/350, 414**

[56] **References Cited**

U.S. PATENT DOCUMENTS

D. 265,124	6/1982	Terk	D24/17 X
D. 271,993	12/1983	Swartz	D24/17
3,582,285	6/1971	Hamilton	422/100 X
4,142,633	3/1979	Raghavachari et al.	422/100 X
4,725,406	2/1988	Compton et al.	422/104 X

Primary Examiner—Wallace R. Burke

Assistant Examiner—Stella M. Reid

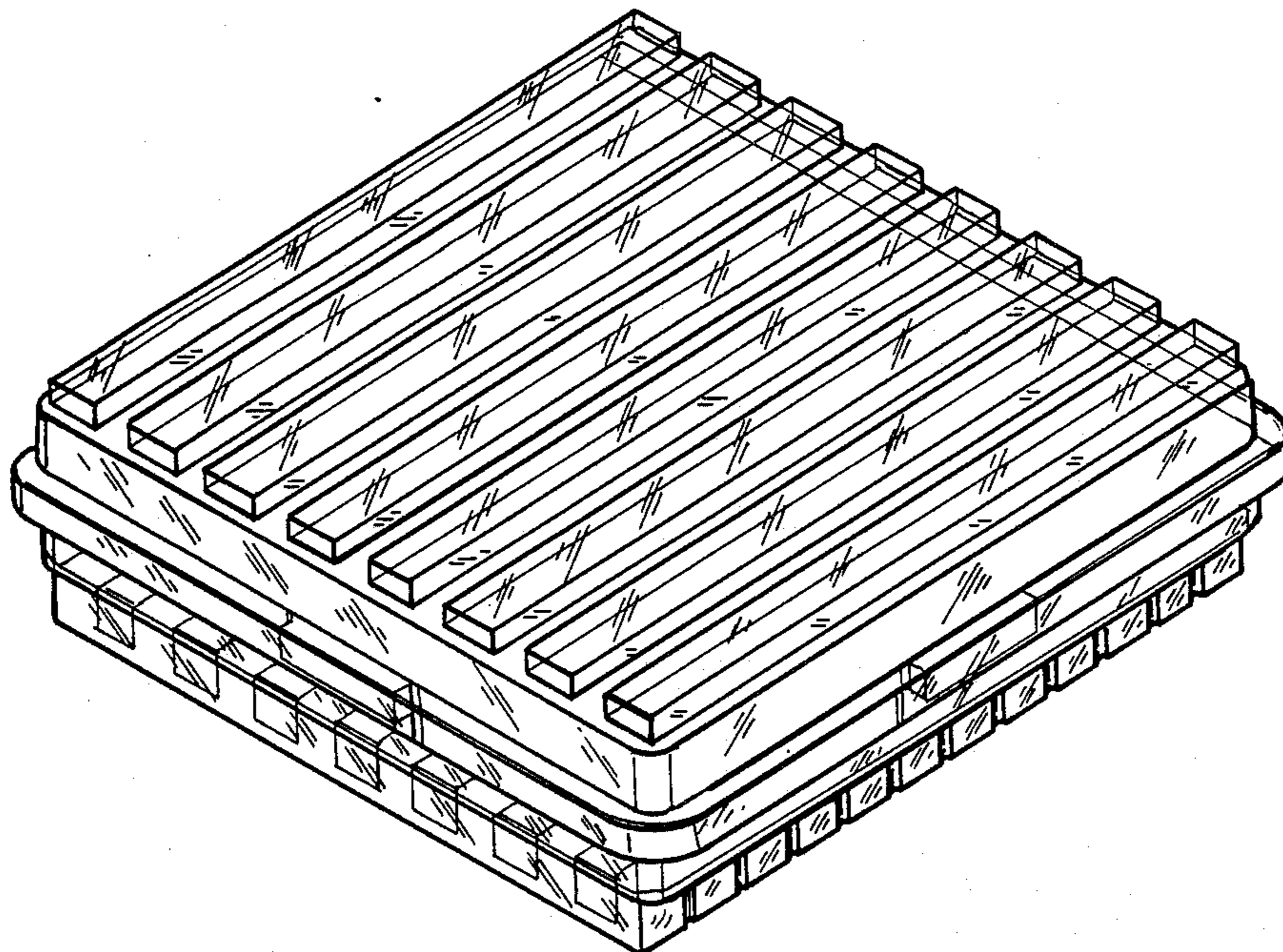
Attorney, Agent, or Firm—Robert J. Mooney; Armand M. Vozzo, Jr.

[57] **CLAIM**

The ornamental design for a cuvette package, as shown and described.

DESCRIPTION

FIG. 1 is a perspective view of a cuvette package, showing my new design, in assembled condition; FIG. 2 is a front elevational view thereof with the other side being of substantially the same configuration; FIG. 3 is a side elevational view thereof; FIG. 4 is a top plan view thereof; FIG. 5 is a bottom plan view thereof; FIG. 6 is a top perspective view of the lid of the cuvette package shown in FIGS. 1-5; FIG. 7 is a front elevational view of the lid; FIG. 8 is a side elevational view thereof; FIG. 9 is a top plan view of the lid; FIG. 10 is a bottom plan view thereof; FIG. 11 is a top perspective view of the tray of the cuvette package shown in FIGS. 1-5; FIG. 12 is a front elevational view of the tray; FIG. 13 is a side elevational view thereof; FIG. 14 is a top plan view of the tray; and FIG. 15 is a bottom plan view thereof.



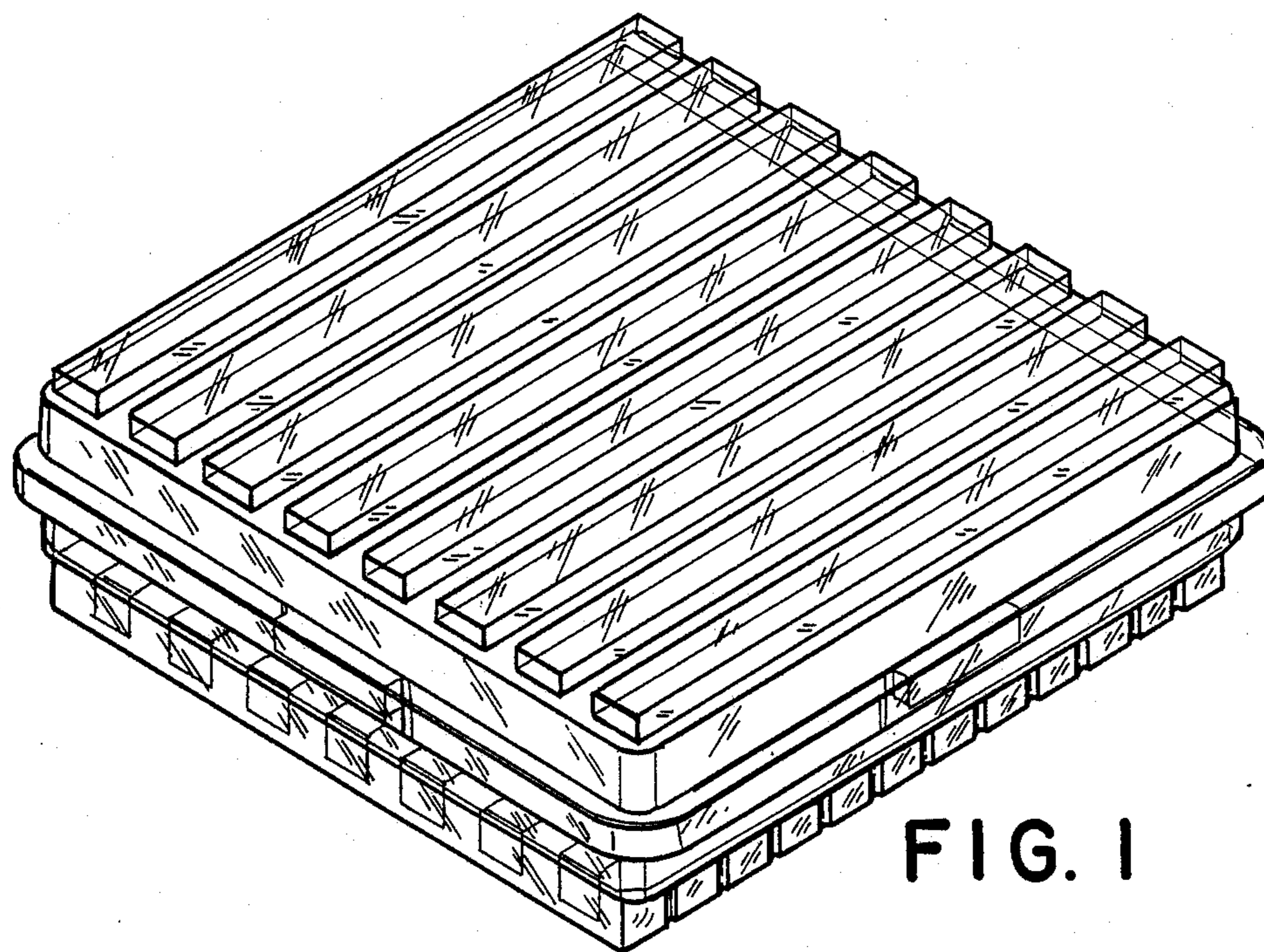


FIG. 1

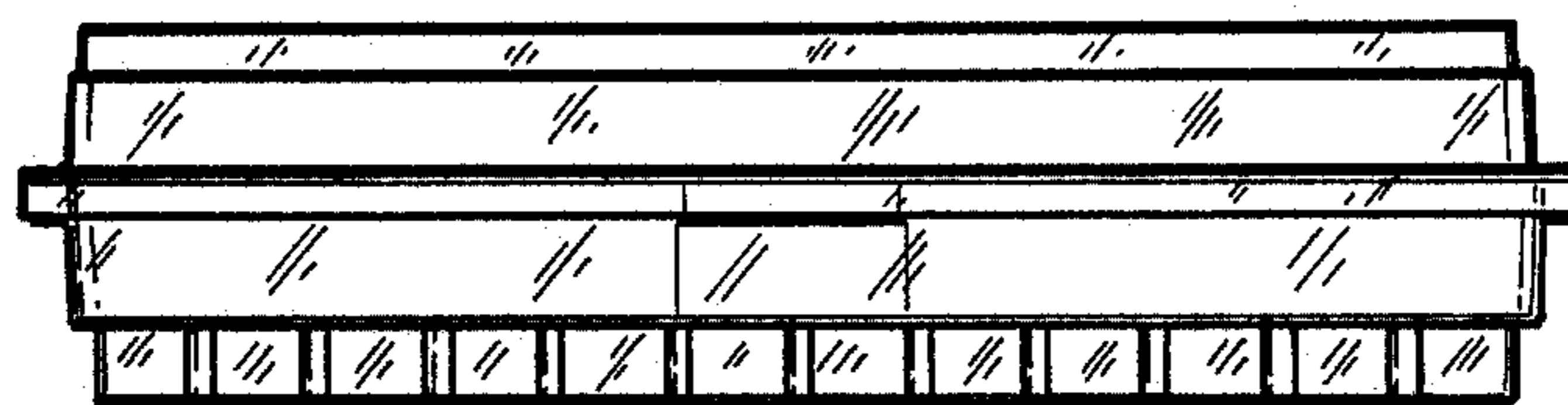


FIG. 2

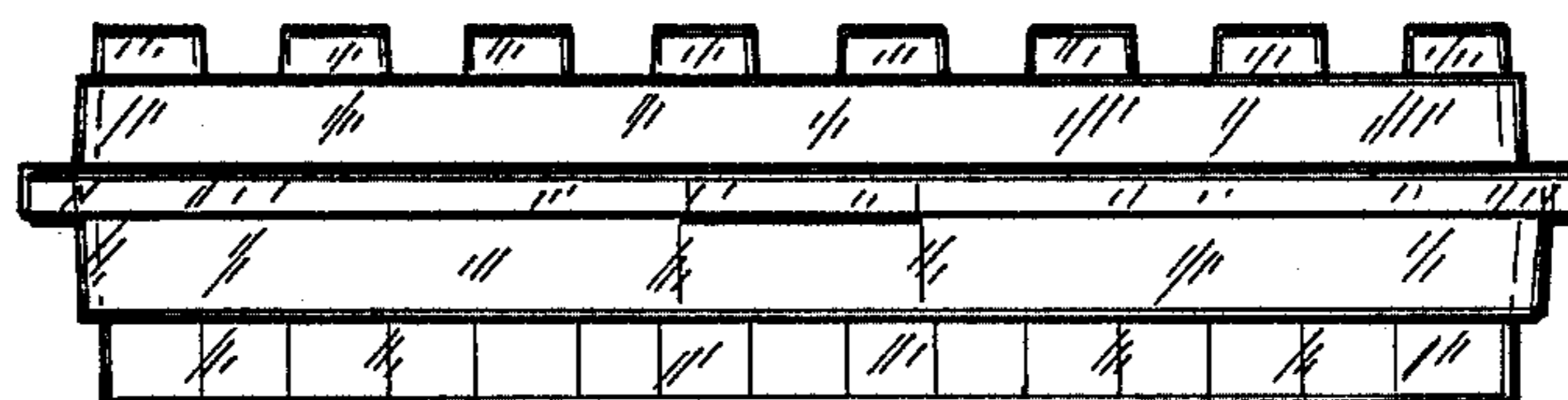


FIG. 3

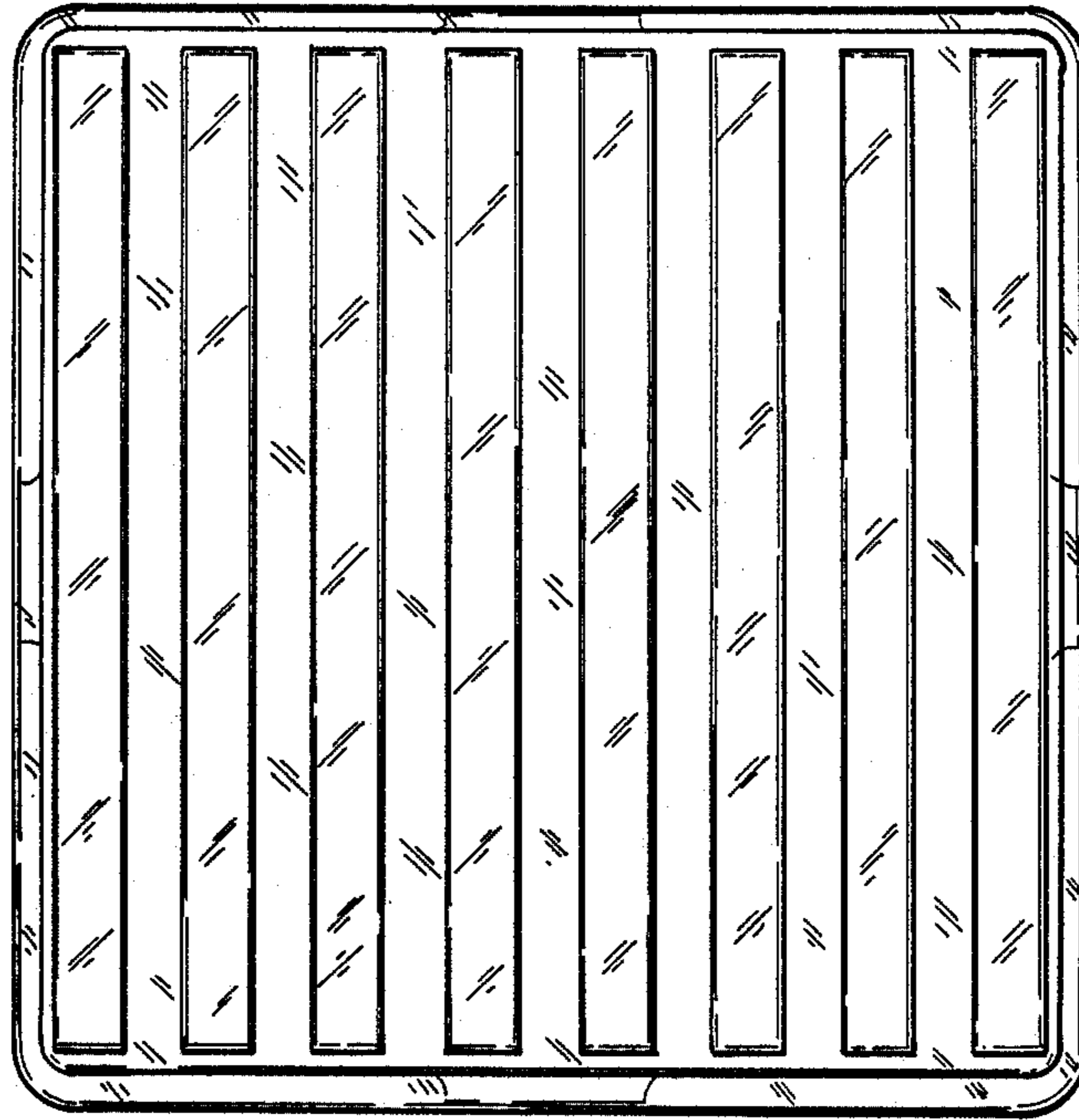


FIG. 4

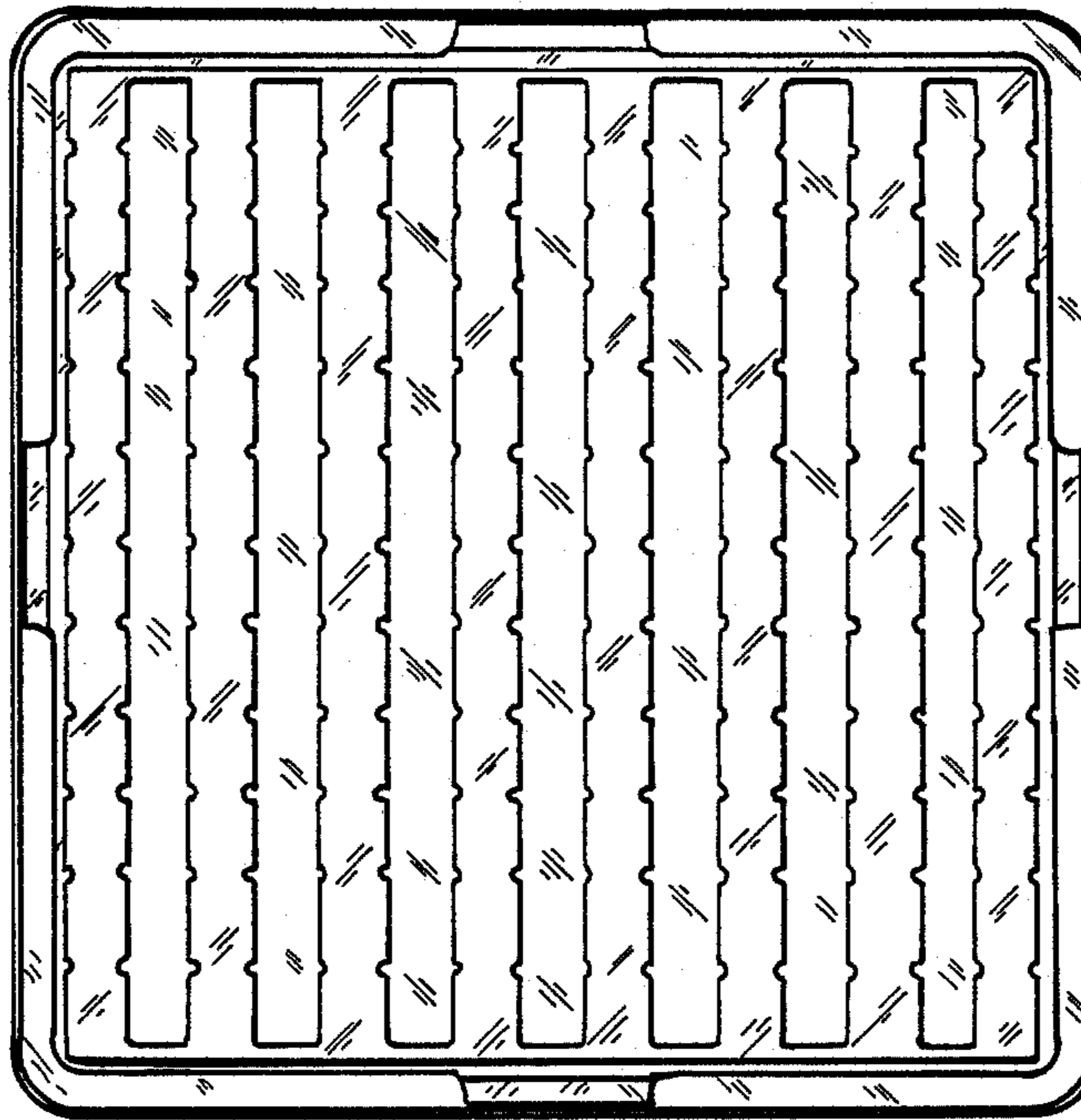


FIG. 5

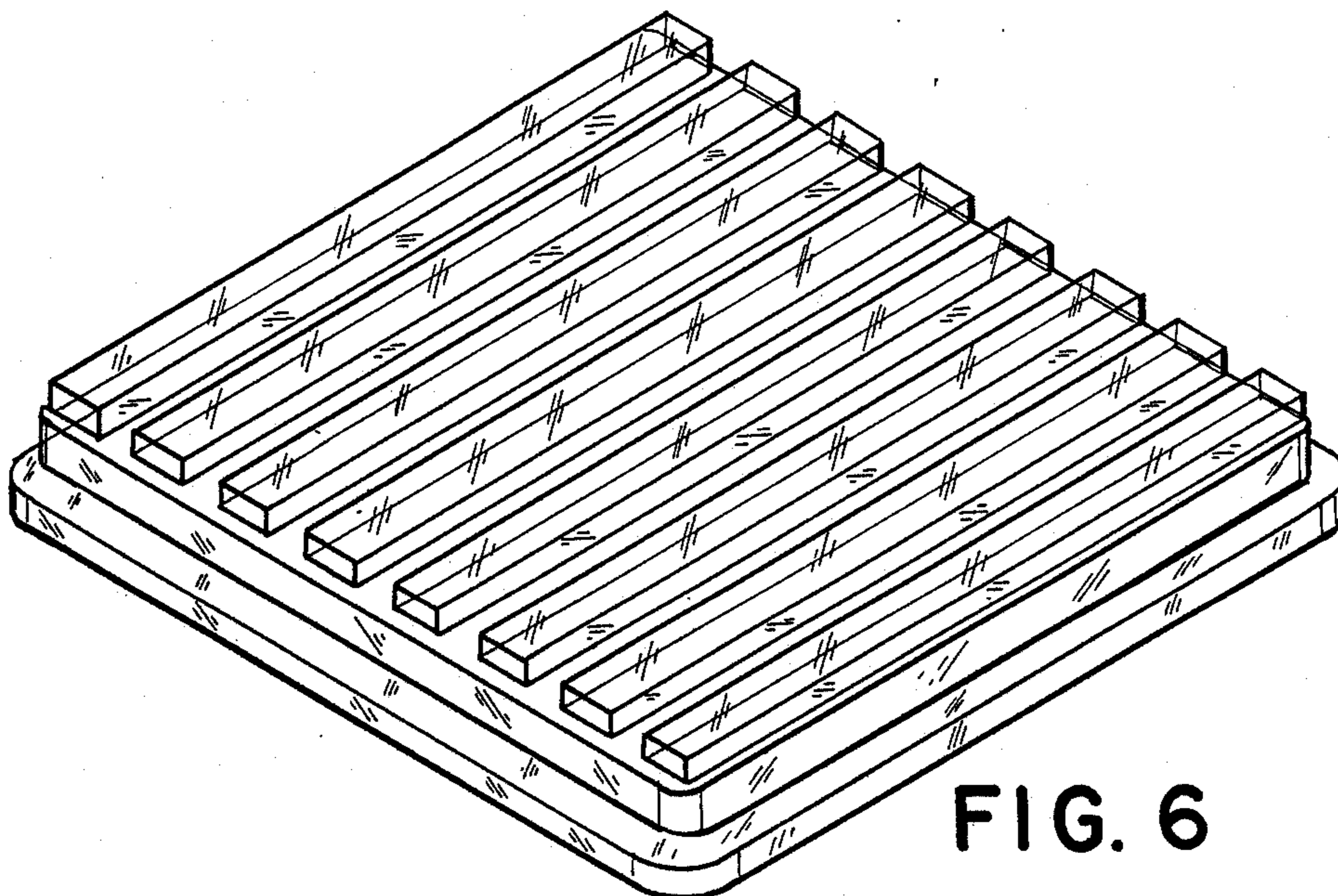


FIG. 6

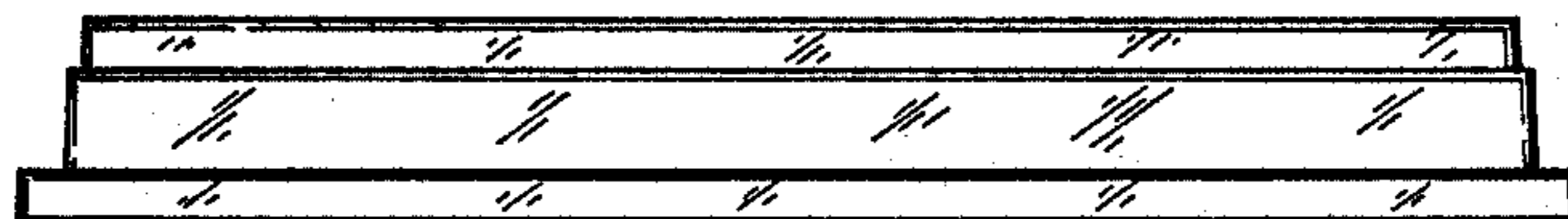


FIG. 7



FIG. 8

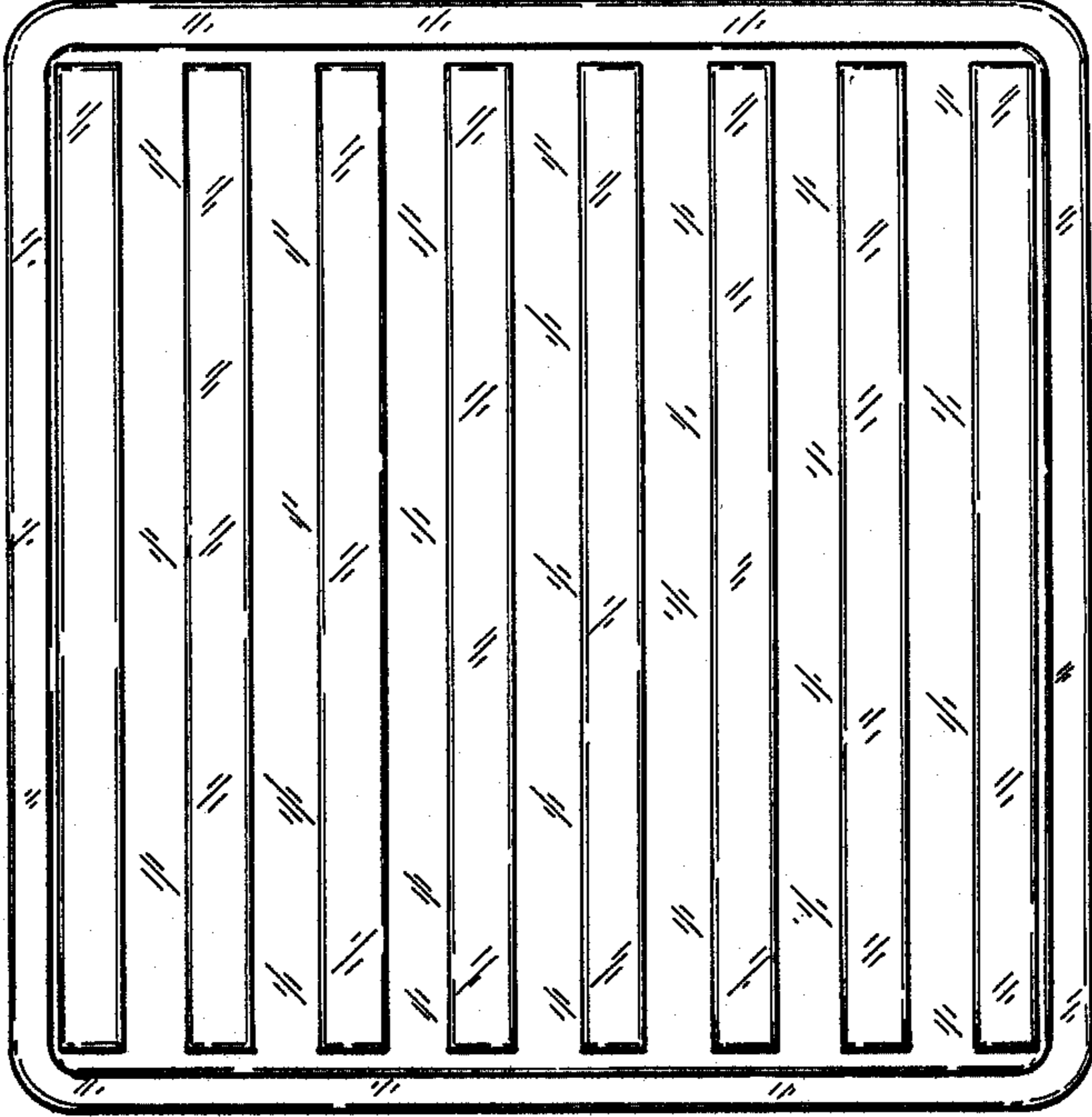


FIG. 9

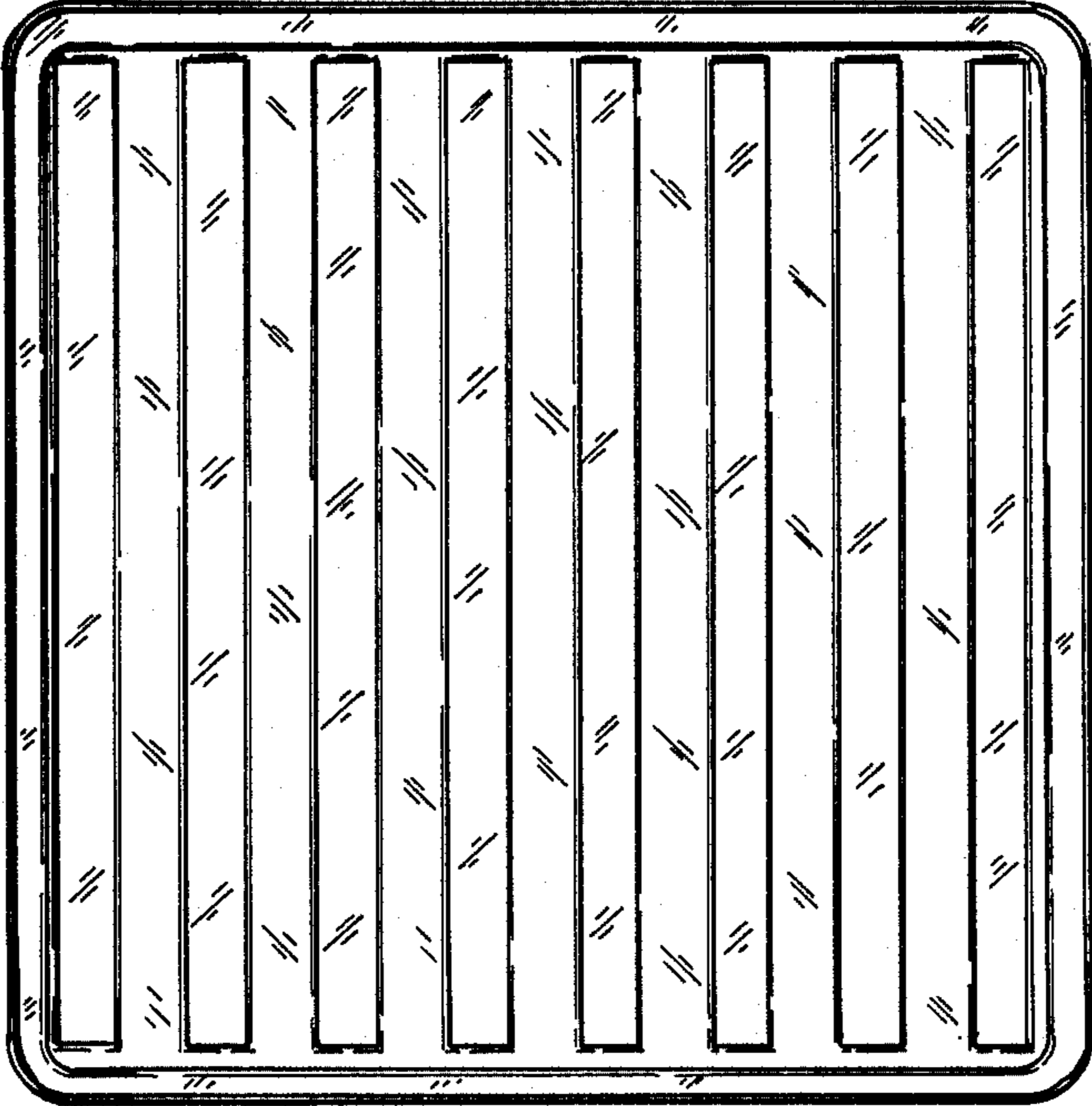


FIG. 10

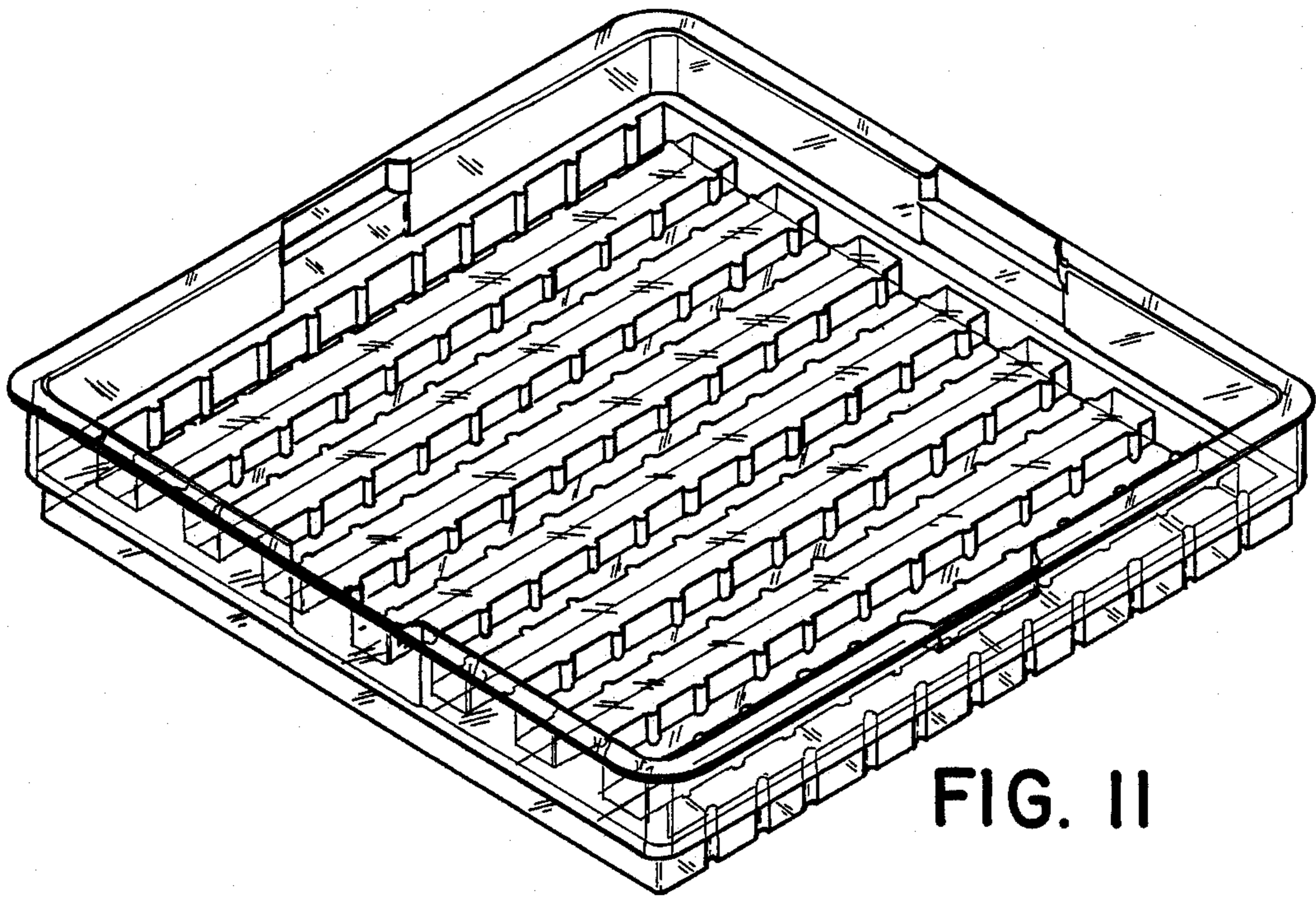


FIG. 11

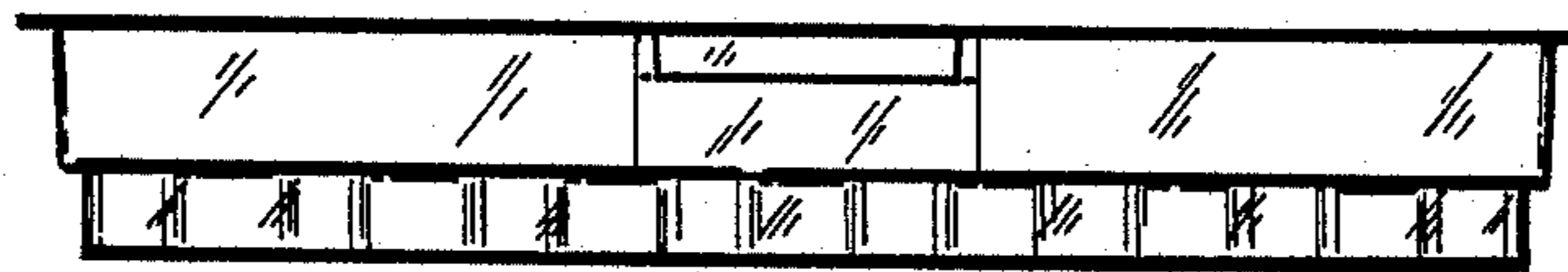


FIG. 12

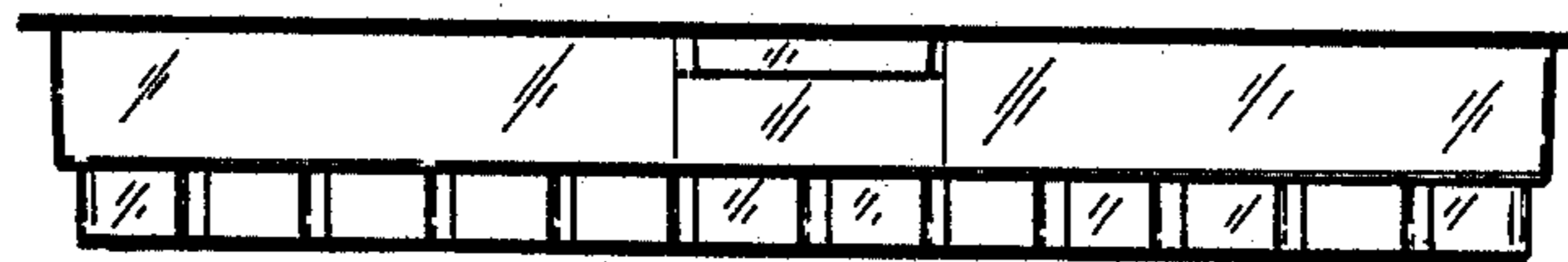


FIG. 13

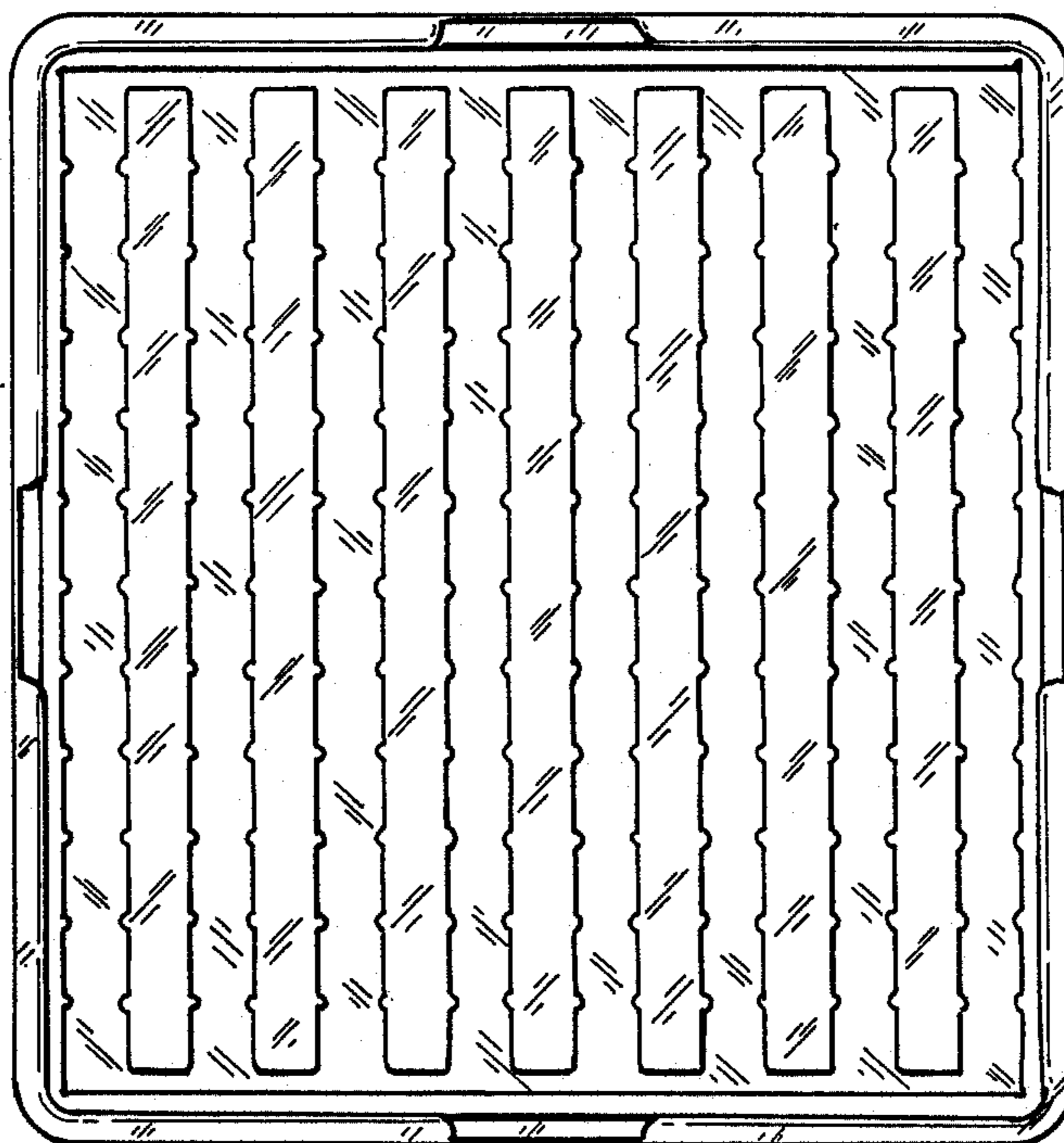


FIG. 14

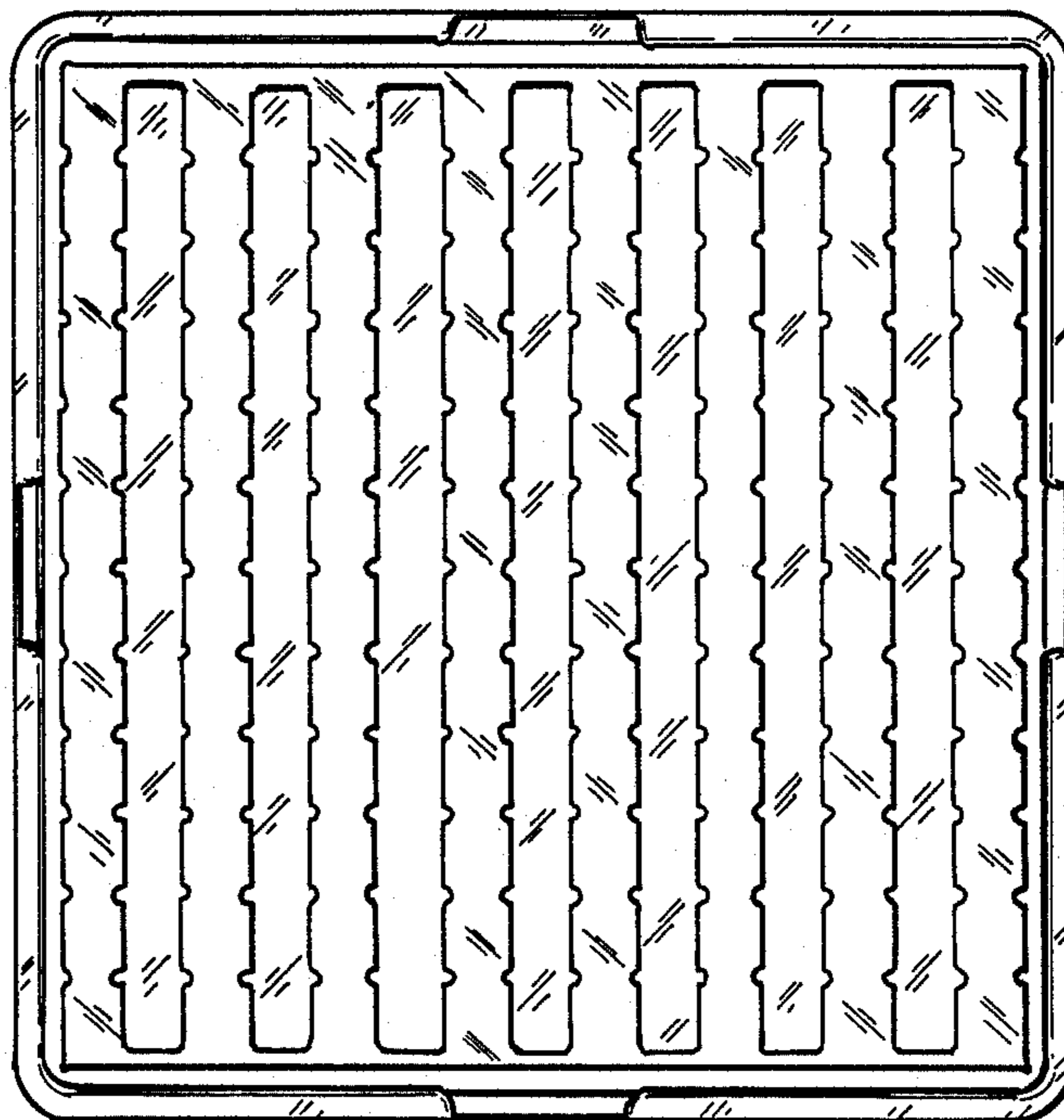


FIG. 15