

[54] **SPOUT**
[75] **Inventor: Edmond Pery, Blegny-Trembleu, Belgium**
[73] **Assignee: Sunset Collection Sprl., Blegny-Trembleur, Belgium**
[**] **Term: 14 Years**
[21] **Appl. No.: 867,880**
[22] **Filed: May 28, 1986**

[30] **Foreign Application Priority Data**
Dec. 4, 1985 [WO] World Int. Prop. O. DM/006192
[52] **U.S. Cl. D23/255**
[58] **Field of Search D23/238-243, D23/255-257; 4/191, 192; 137/801**

[56] **References Cited**
U.S. PATENT DOCUMENTS
D. 268,949 5/1983 Delepine D23/255
D. 289,916 5/1987 Delepine D23/255
D. 290,162 6/1987 Paul D23/241
D. 291,115 7/1987 Delepine D23/253

4,334,328 6/1982 Delepine 4/191
4,513,458 4/1985 Delepine 4/192

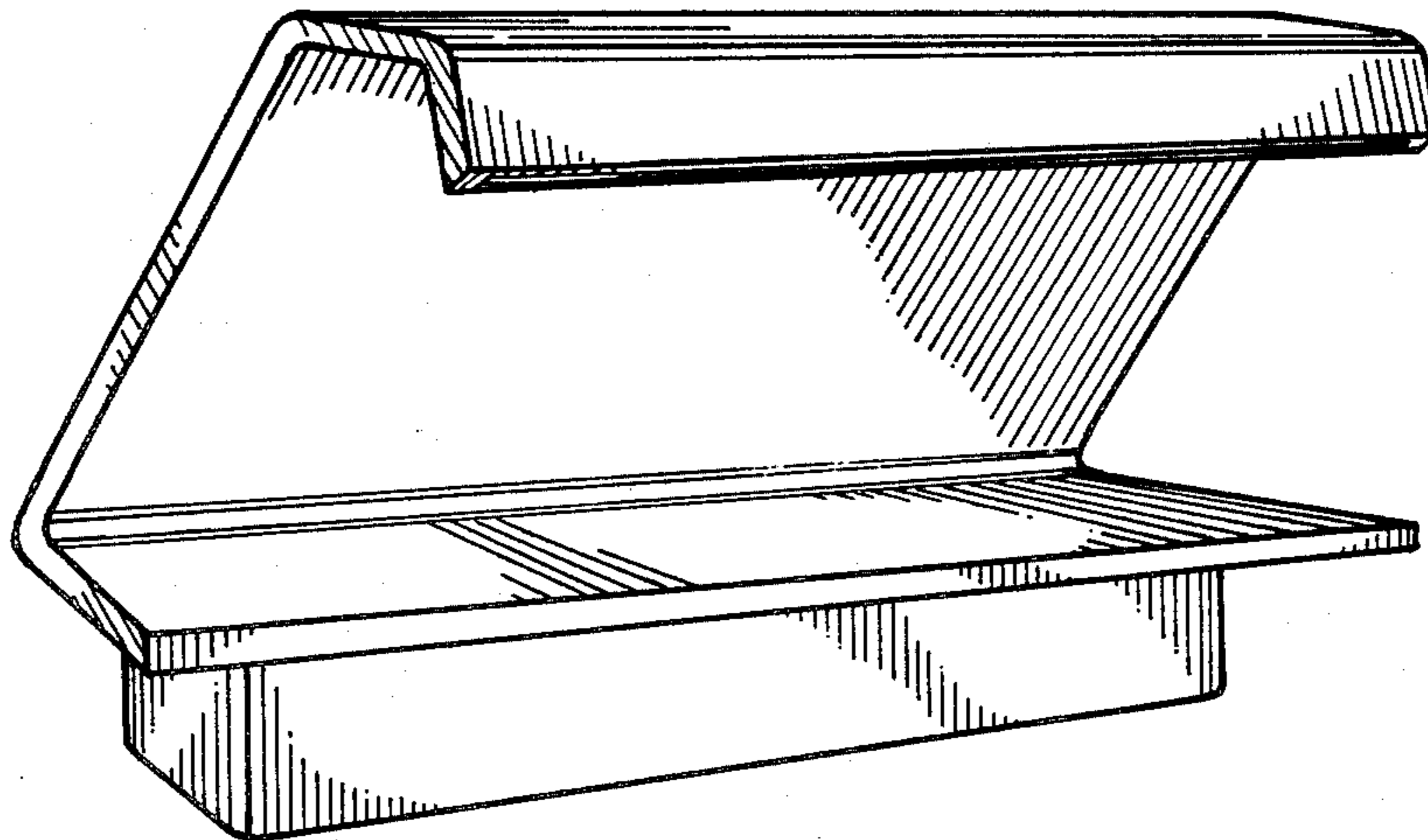
Primary Examiner—Largen James R.
Attorney, Agent, or Firm—Martin A. Farber

[57] **CLAIM**

The ornamental design for a spout, as shown and described.

DESCRIPTION

FIG. 1 is a perspective view taken from the front and left side of a spout showing my new design;
FIG. 2 is a front elevational view thereof;
FIG. 3 is a right side elevational view thereof, the left side being a mirror image of the right side shown;
FIG. 4 is a top plan view thereof;
FIG. 5 is a rear elevational view thereof;
FIG. 6 is a perspective view taken from the front and left side of a modified form of the faucet spout shown in FIG. 1;
FIG. 7 is a front elevational view of FIG. 6;
FIG. 8 is a right side elevational view of FIG. 6, the left side being a mirror image of the right side shown;
FIG. 9 is a top plan view of FIG. 6; and
FIG. 10 is a rear elevational view of FIG. 6.



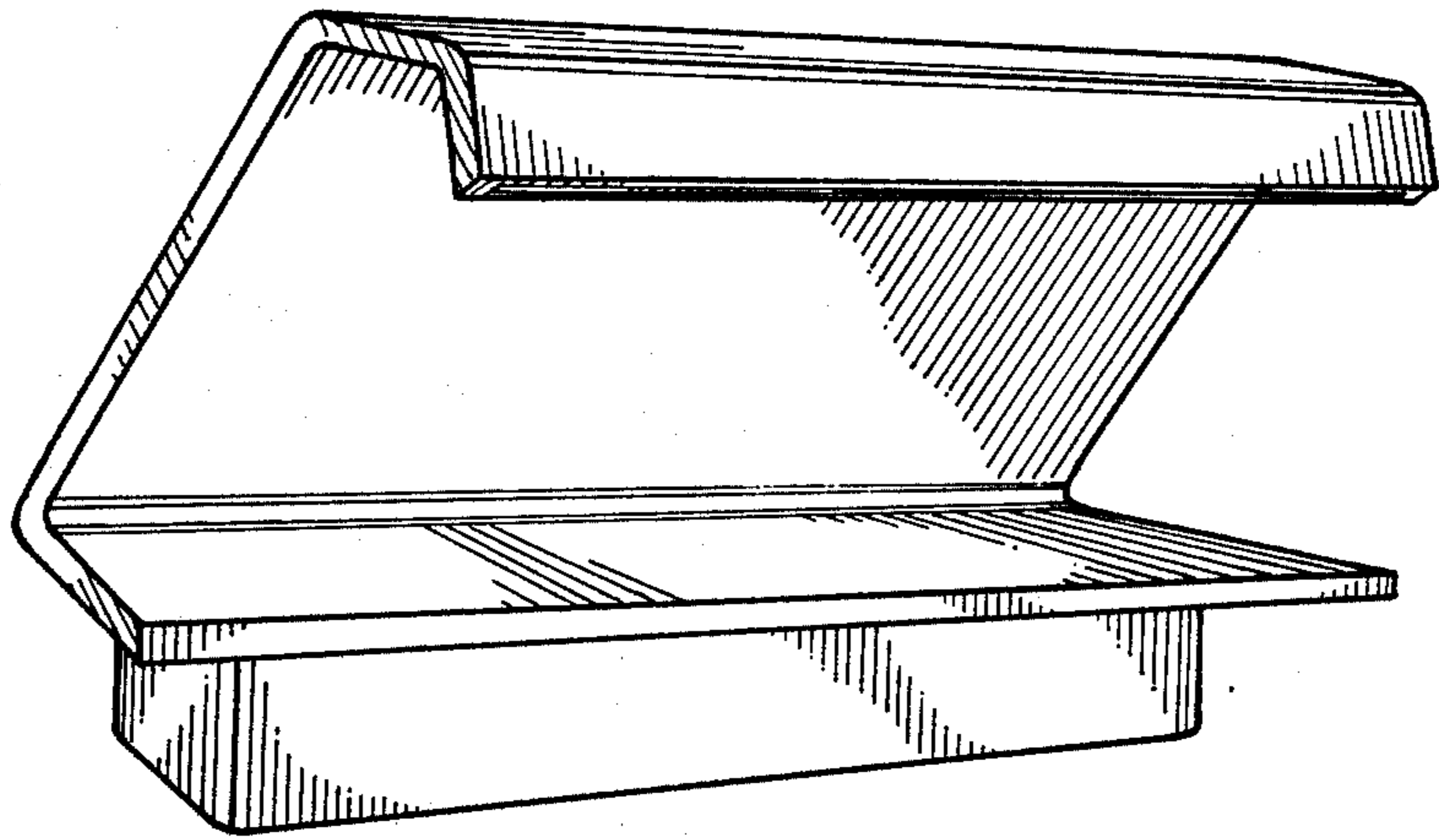


Fig. 1

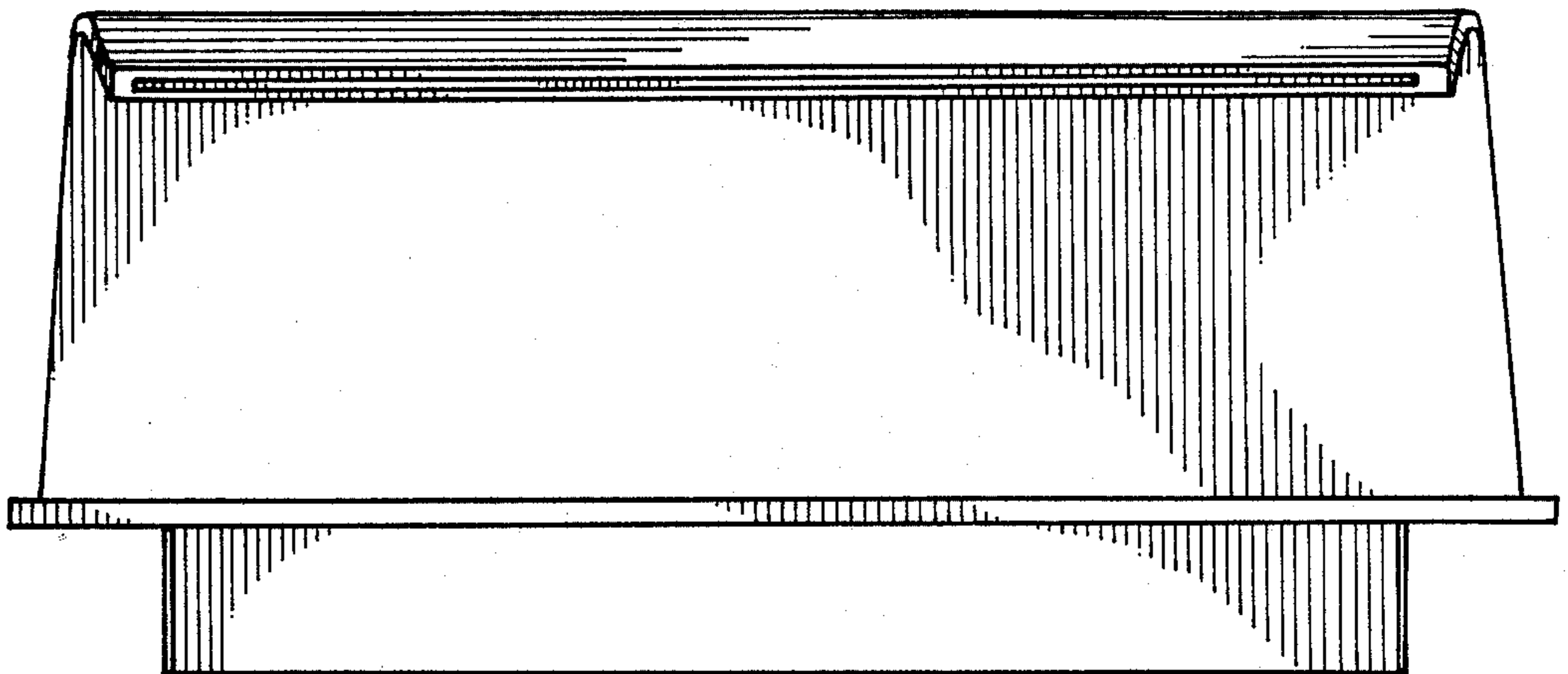


Fig. 2

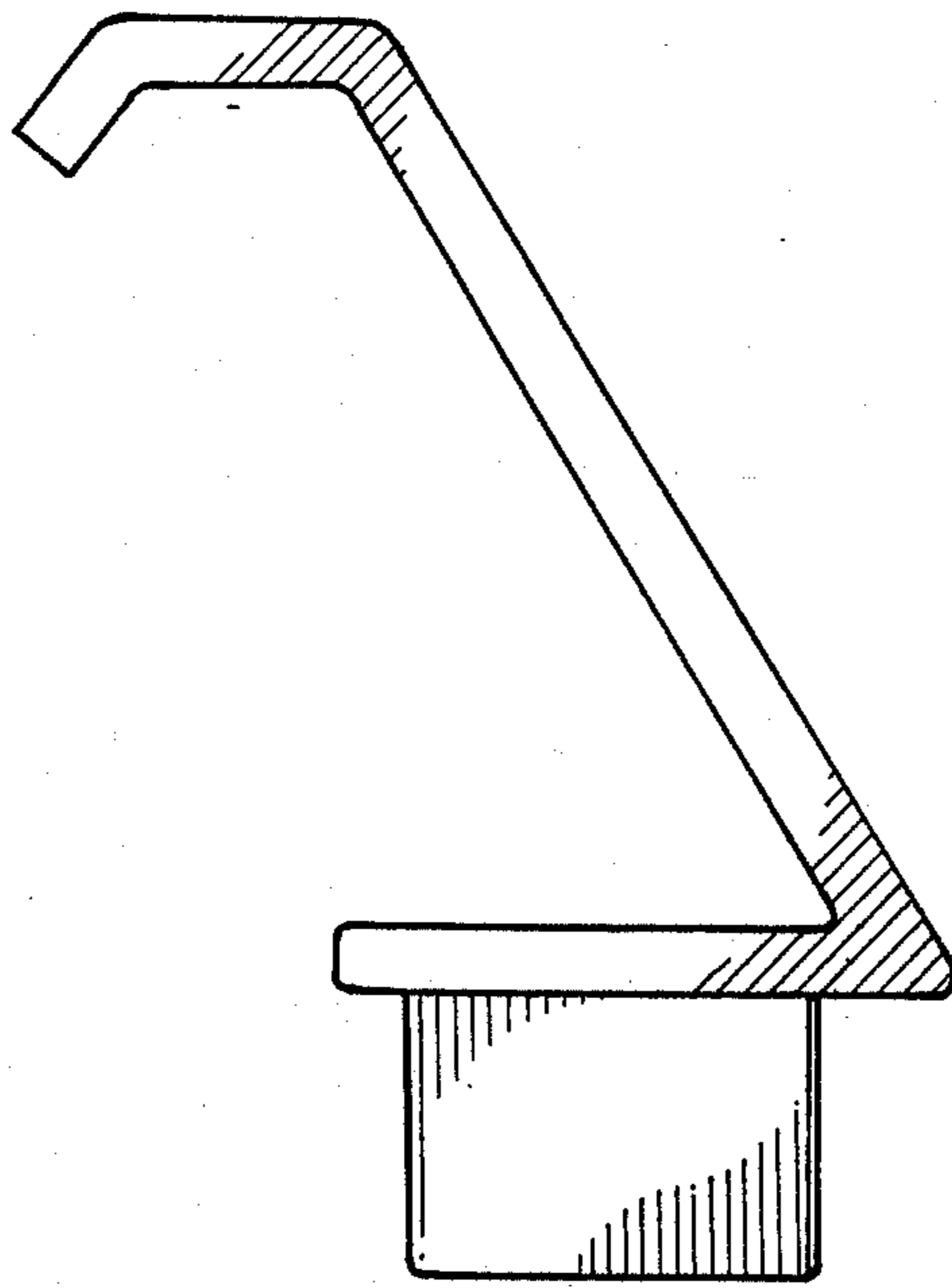


Fig. 3

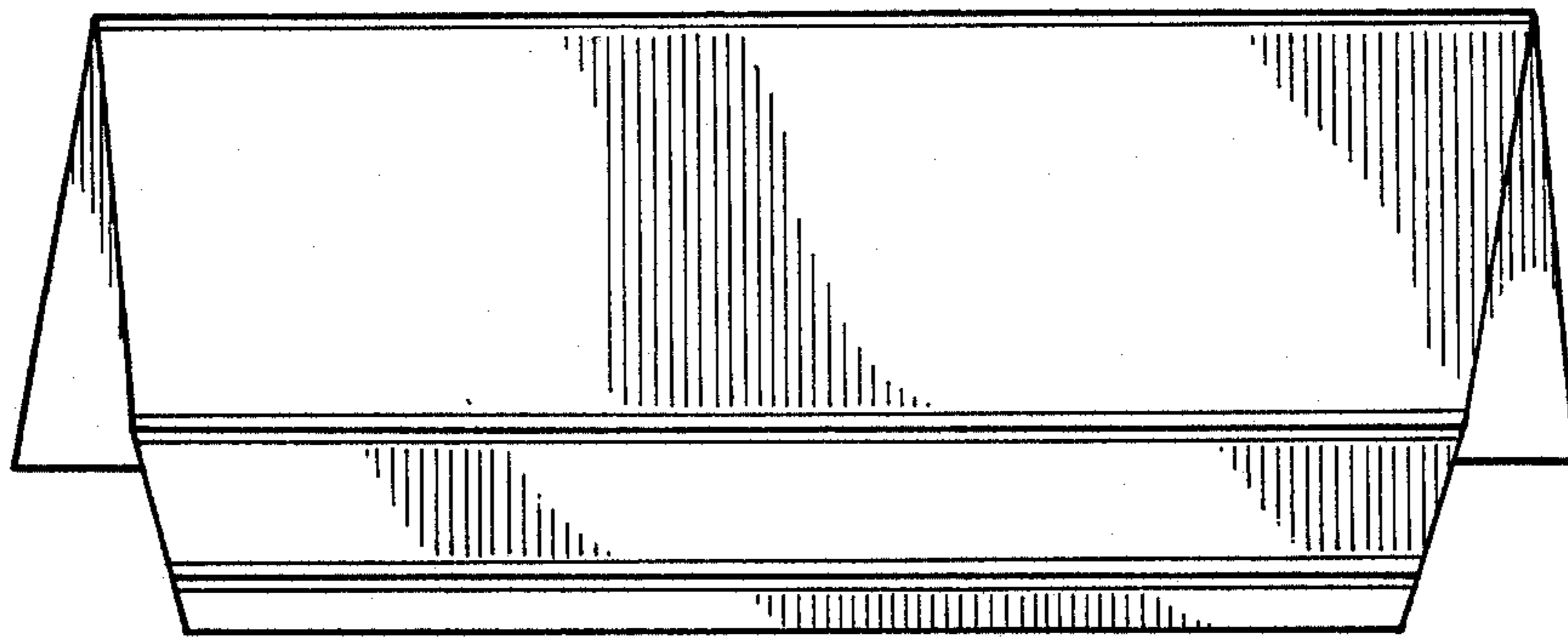


Fig. 4

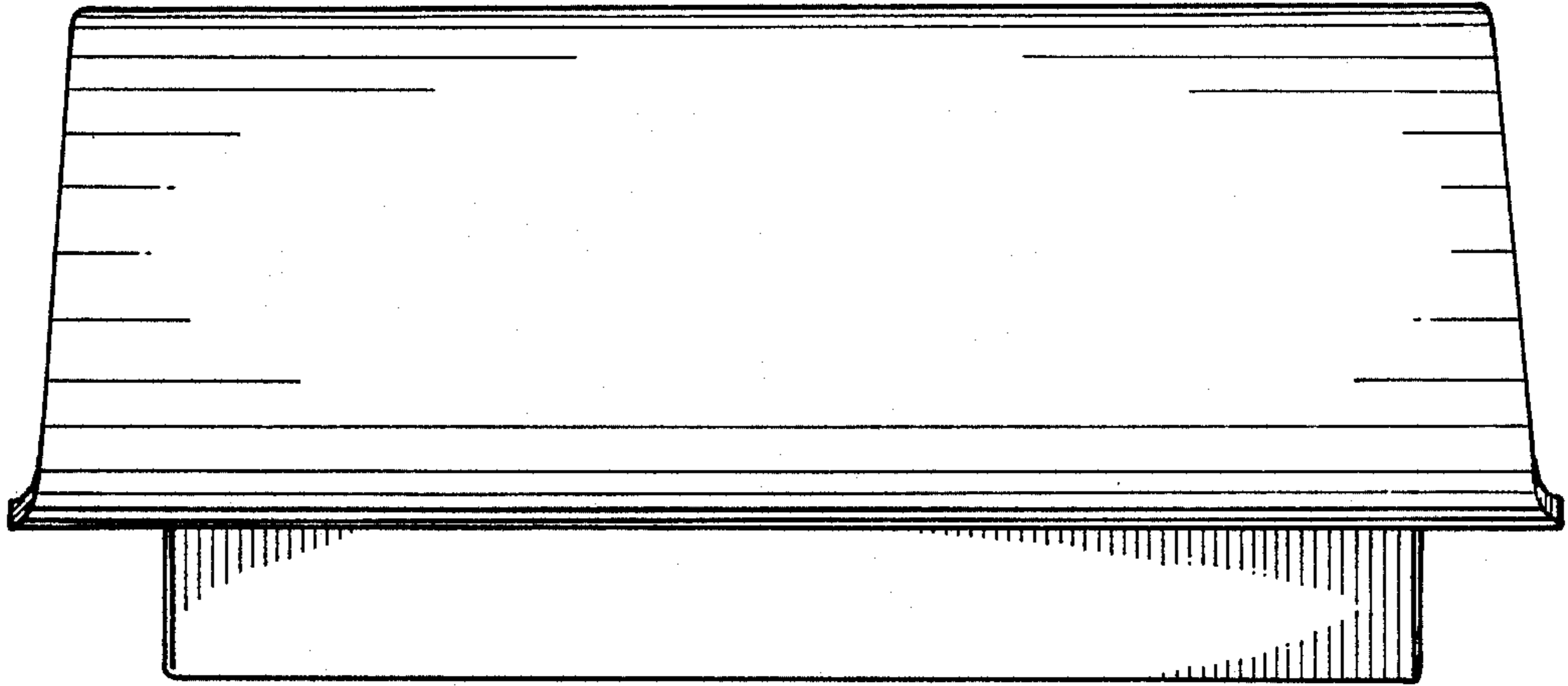


Fig. 5

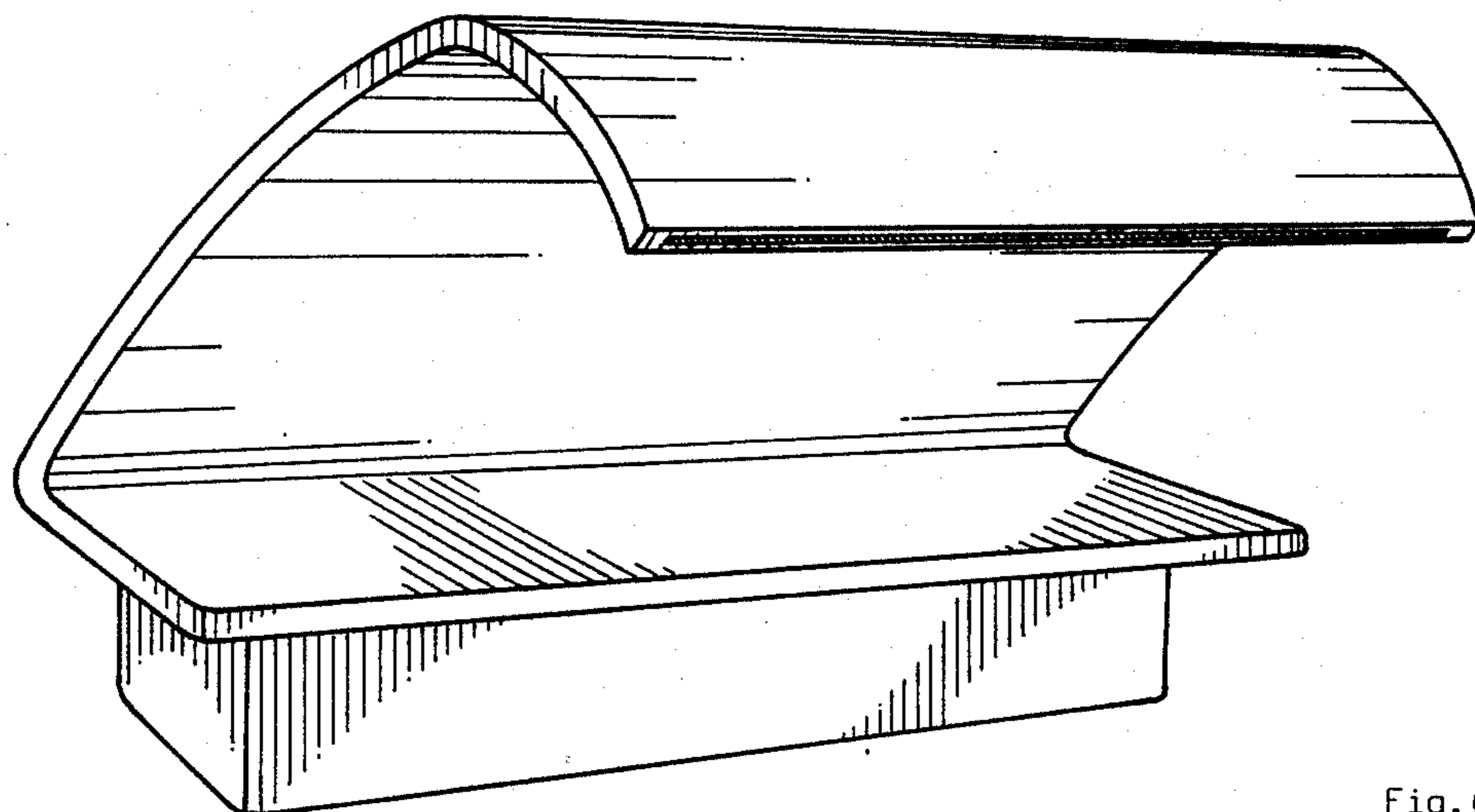


Fig. 6

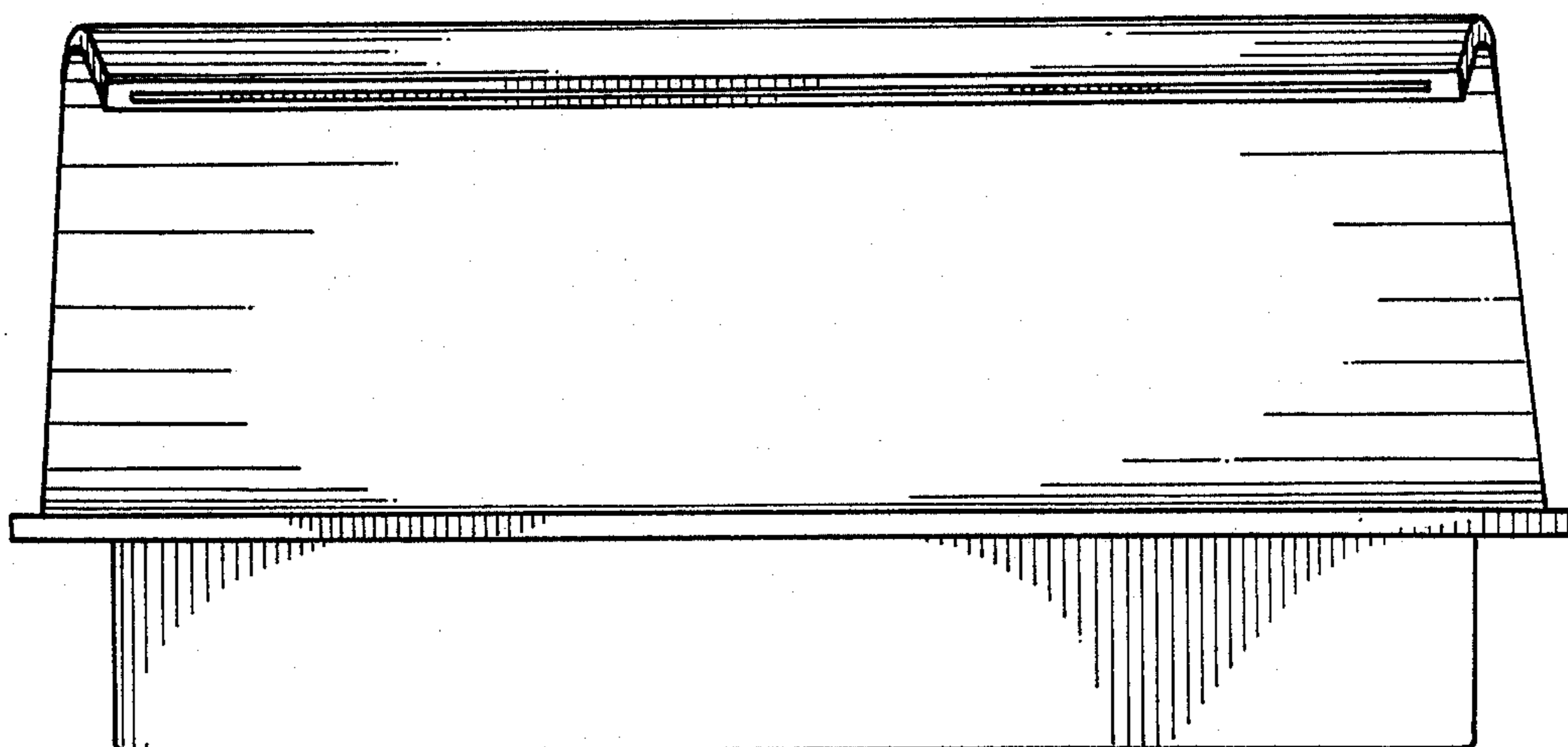


Fig. 7

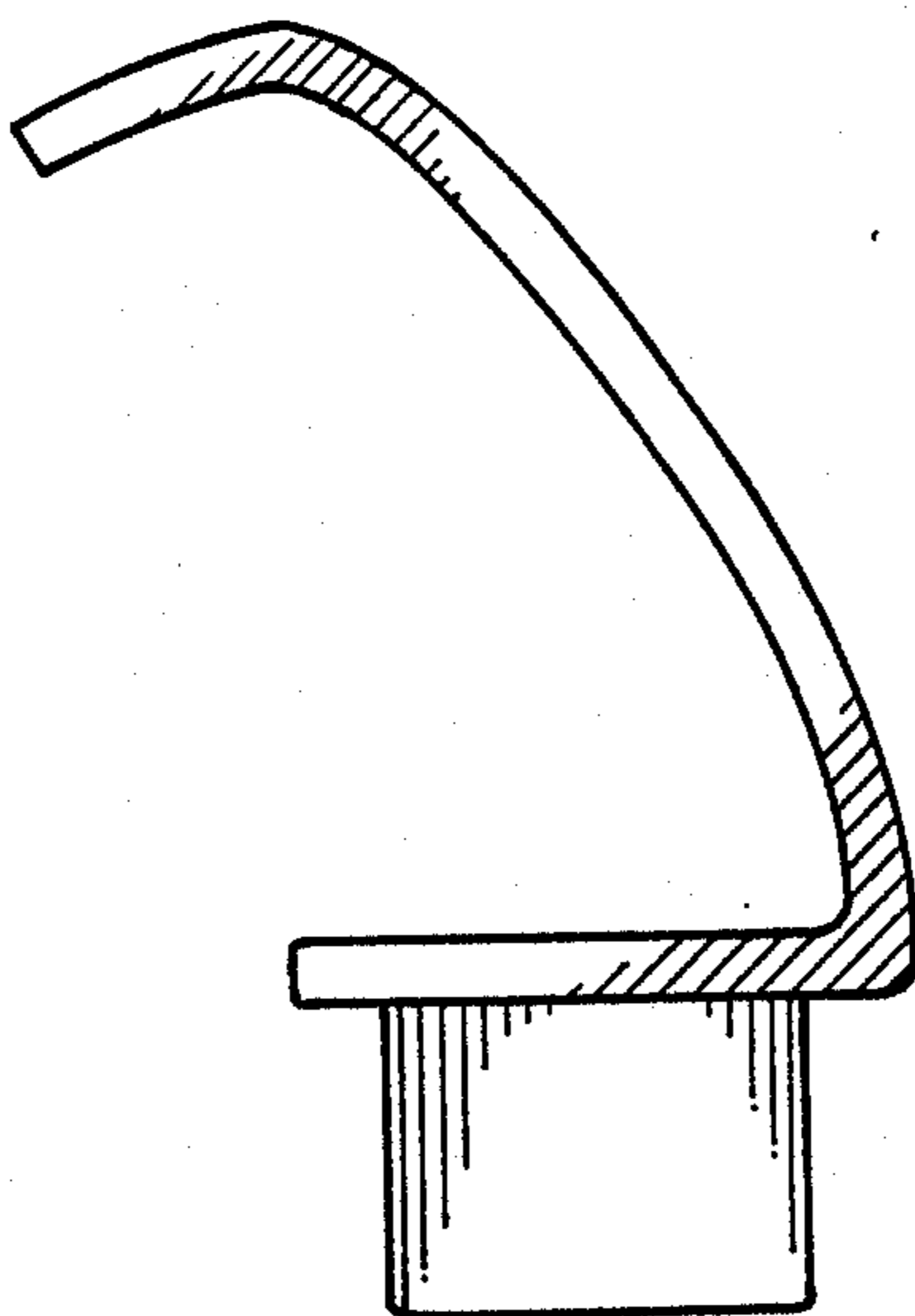


Fig. 8

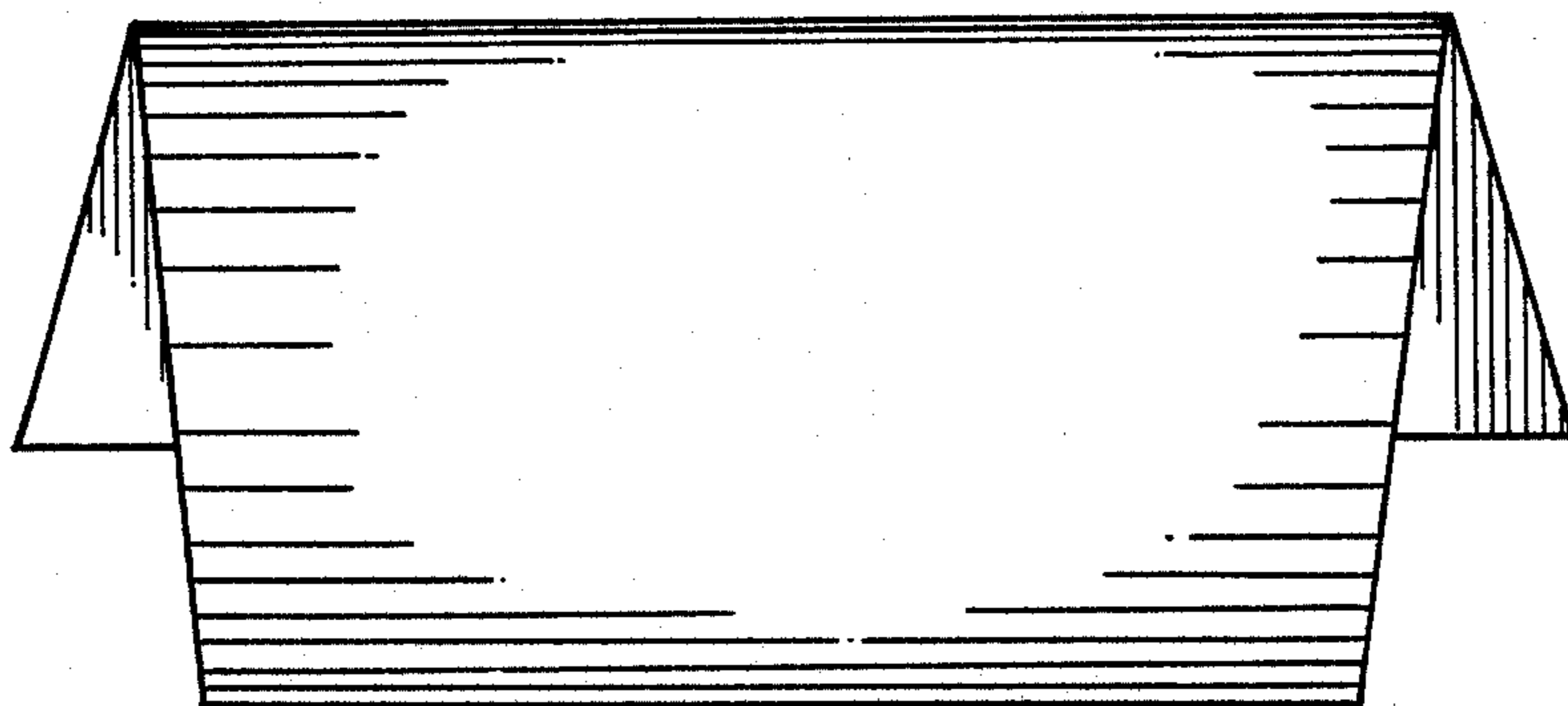


Fig. 9

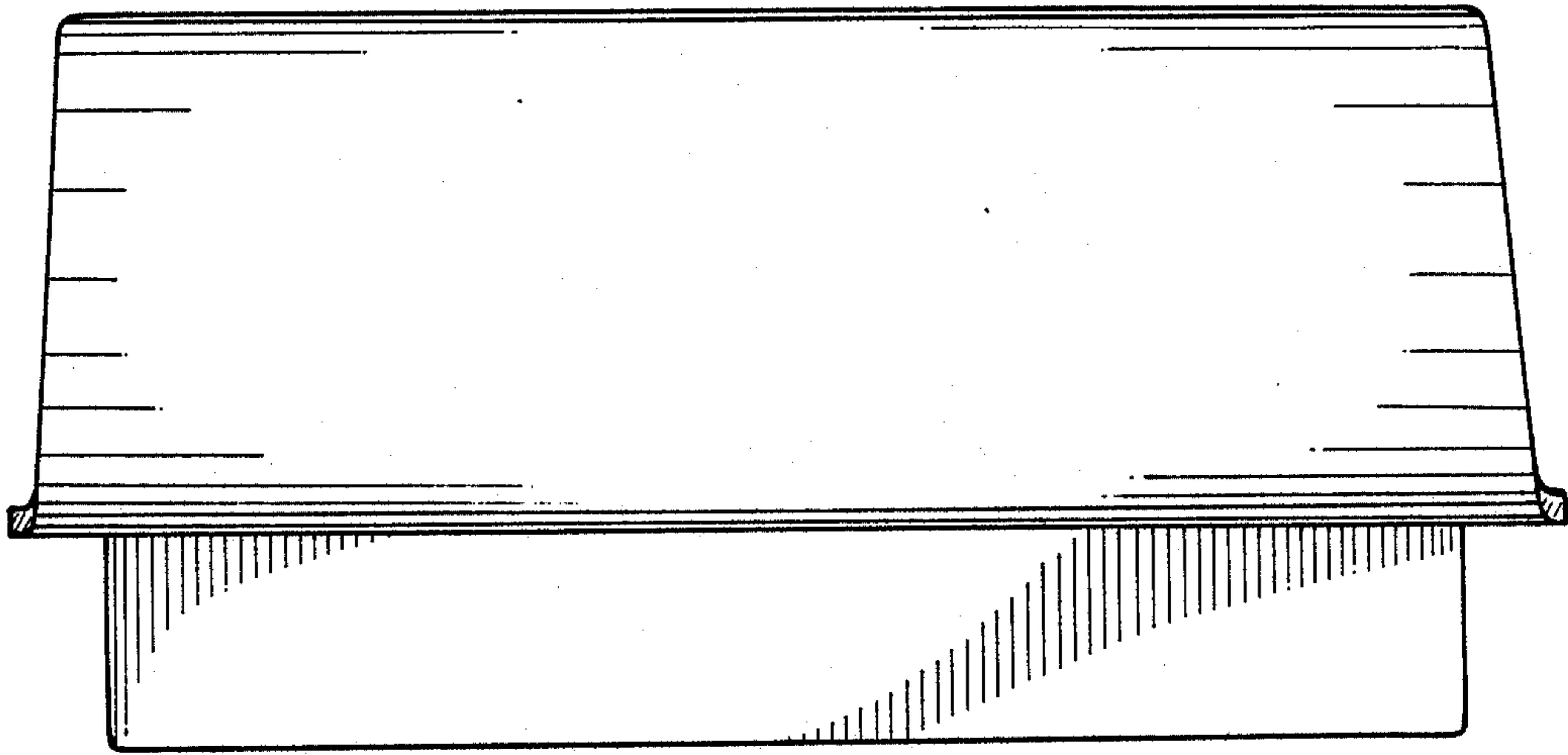


Fig. 10