

[54] FOAM NOZZLE FOR A HAND OPERATED TRIGGER SPRAYER

[75] Inventor: Joseph W. J. Maas, Someren, Netherlands

[73] Assignee: AFA Products, Inc., Forest City, N.C.

[**] Term: 14 Years

[21] Appl. No.: 817,700

[22] Filed: Jan. 10, 1986

[52] U.S. Cl. D23/213

[58] Field of Search D23/213, 222, 232; 239/120, 428.5

[56] References Cited

U.S. PATENT DOCUMENTS

D. 257,740	12/1980	Humphrey et al.	D23/213
D. 268,204	3/1983	Wesner et al.	D23/226
D. 293,929	1/1988	Verhees	823/213
D. 294,287	2/1988	Verhees	D23/213
654,891	7/1900	Haley	239/590.5 X
1,082,130	12/1913	McCallen	239/432
3,693,884	9/1972	Snodgrass et al.	239/427.5
3,946,947	3/1976	Schneider	239/428.5 X
4,013,228	3/1977	Schneider	239/428.5 X
4,071,195	1/1978	Kuhns et al.	239/289
4,219,159	8/1980	Wesner	239/428.5 X
4,330,086	5/1982	Nysted	239/428.5 X
4,350,298	9/1982	Tada	239/428.5 X
4,463,905	8/1984	Stoesser et al.	239/428.5 X

4,730,775 3/1988 Maas 239/120

Primary Examiner—James R. Largen
Attorney, Agent, or Firm—Thomas R. Vigil

[57] CLAIM

The ornamental design for a foam nozzle for a hand operated trigger sprayer, as shown and described.

DESCRIPTION

FIG. 1 is a perspective view taken from the front and left side of a foam nozzle for a hand operated trigger sprayer showing my new design;

FIG. 2 is a left side elevational view thereof;

FIG. 3 is a right side elevational view thereof;

FIG. 4 is a top plan view thereof;

FIG. 5 is a bottom plan view thereof;

FIG. 6 is a front elevational view thereof;

FIG. 7 is a rear elevational view thereof;

FIG. 8 is a perspective view taken from the front and left side of a modified form of the foam nozzle for a hand operated trigger sprayer shown in FIG. 1;

FIG. 9 is a left side elevational view of FIG. 8;

FIG. 10 is a right side elevational view of FIG. 8;

FIG. 11 is a top plan view of FIG. 8;

FIG. 12 is a bottom plan view of FIG. 8;

FIG. 13 is a front elevational view of FIG. 8; and,

FIG. 14 is a rear elevational view of FIG. 8.

The fragmentary broken line representation of a hand operated trigger sprayer in FIGS. 1 and 8 is for purposes of illustration only and forms no part of the claimed design.

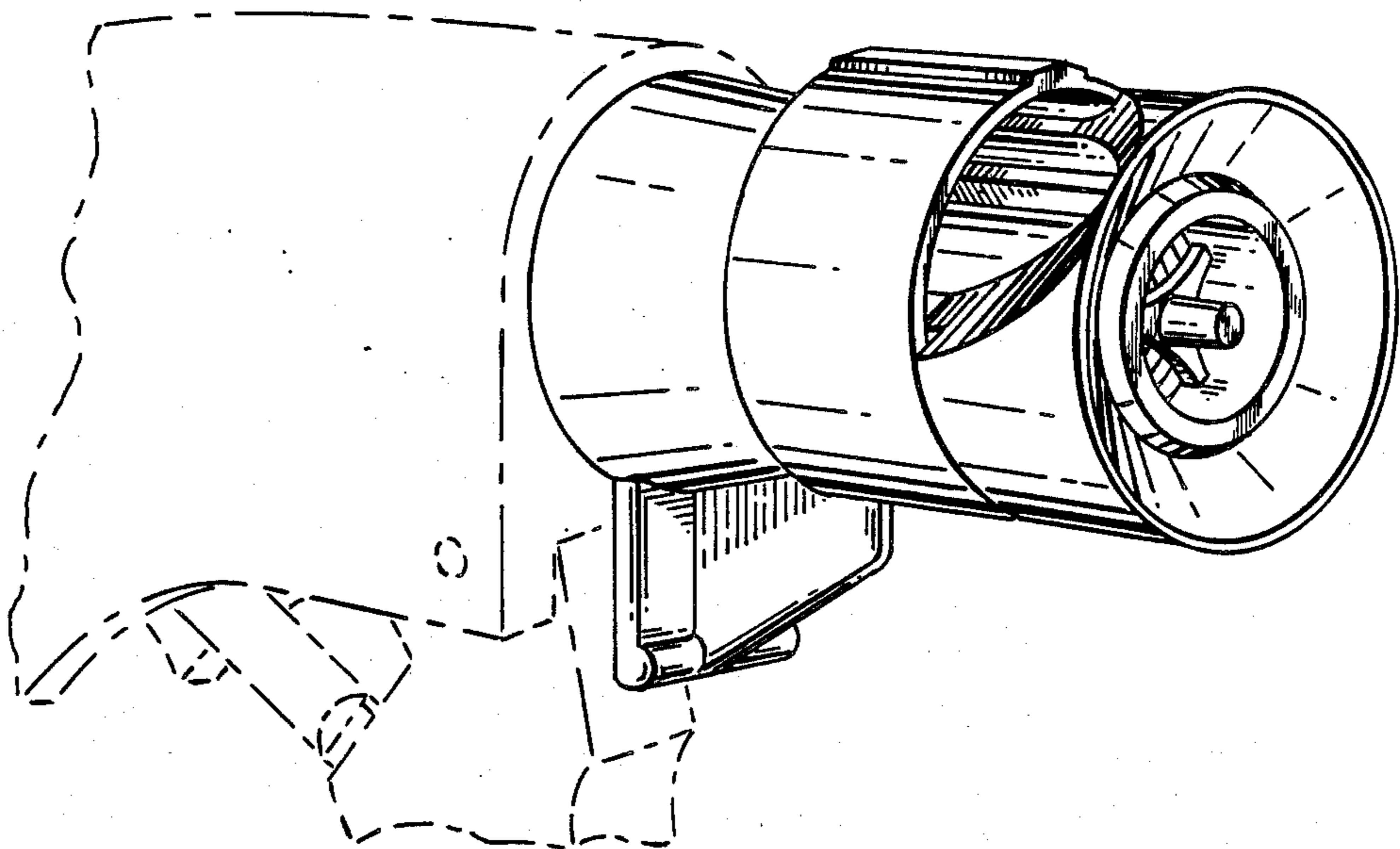


FIG. 1

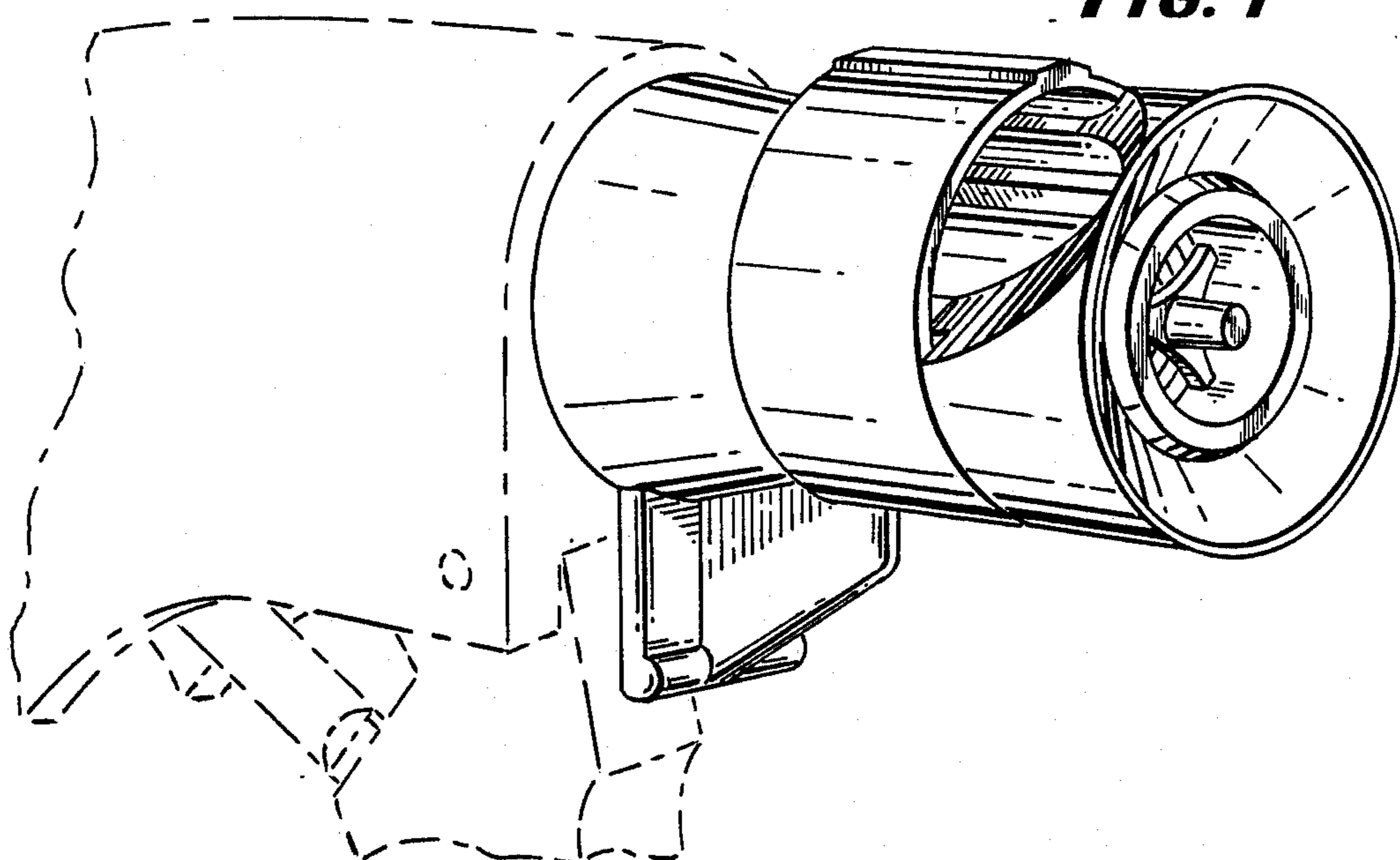


FIG. 2

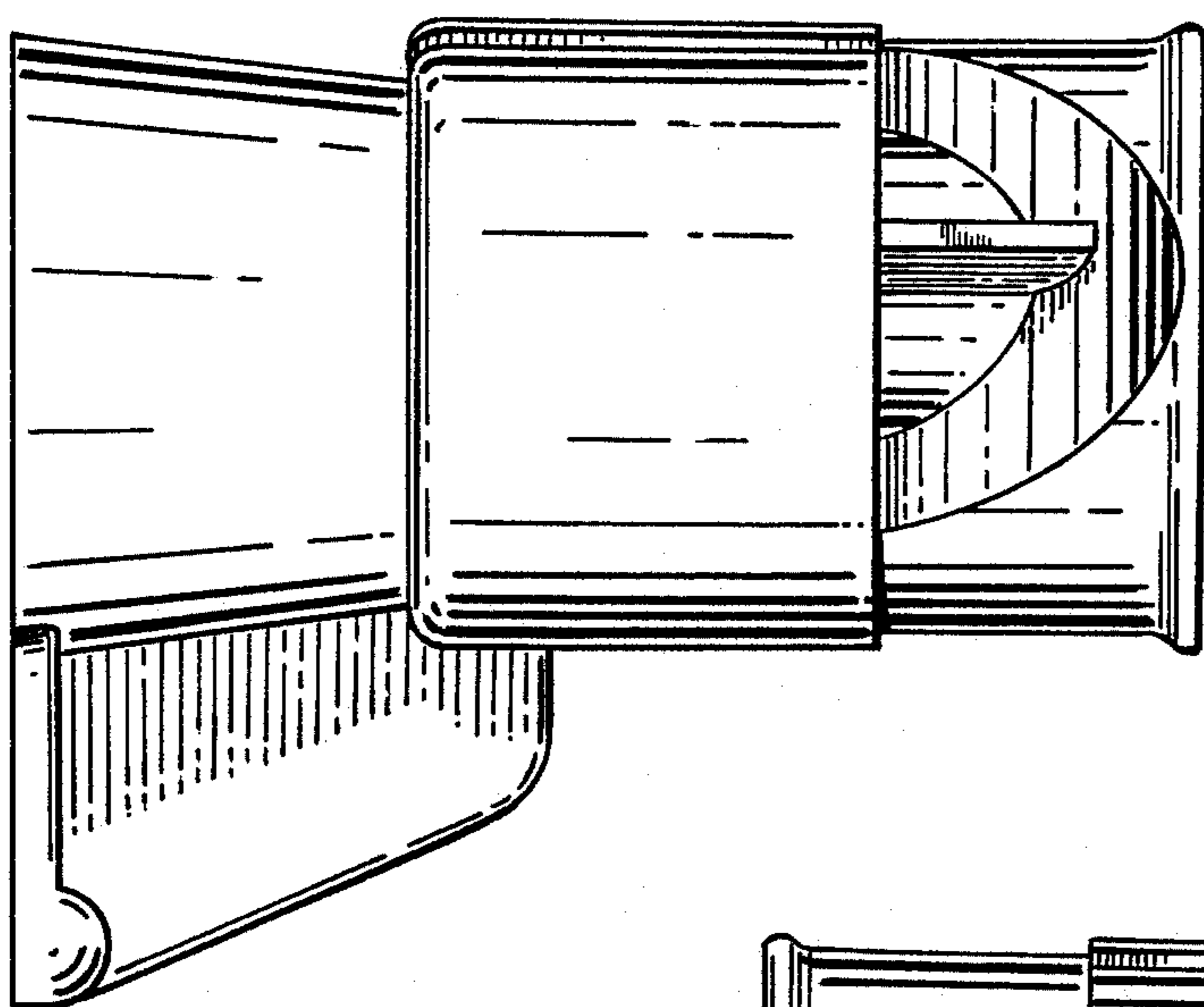


FIG. 3

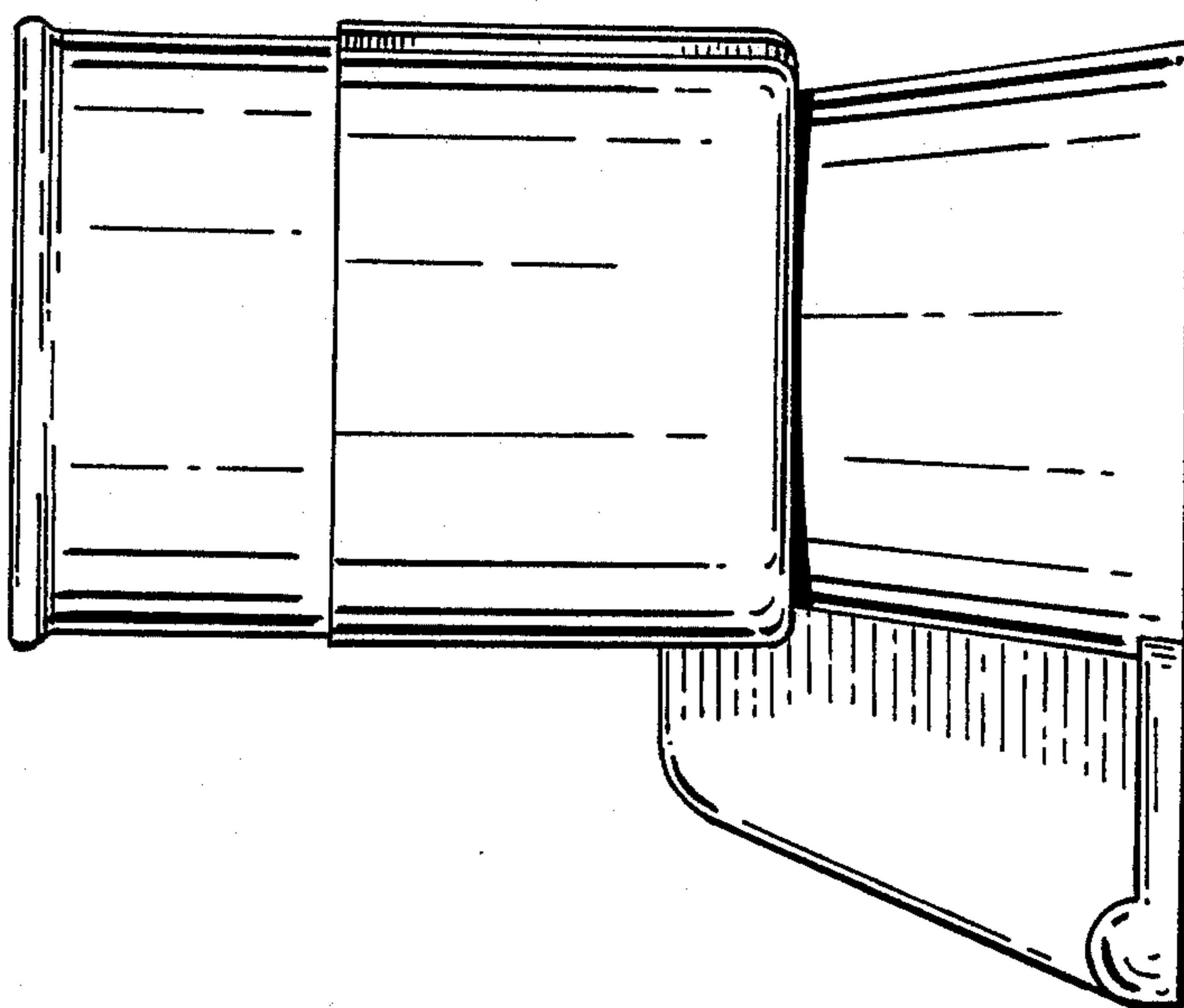


FIG. 4

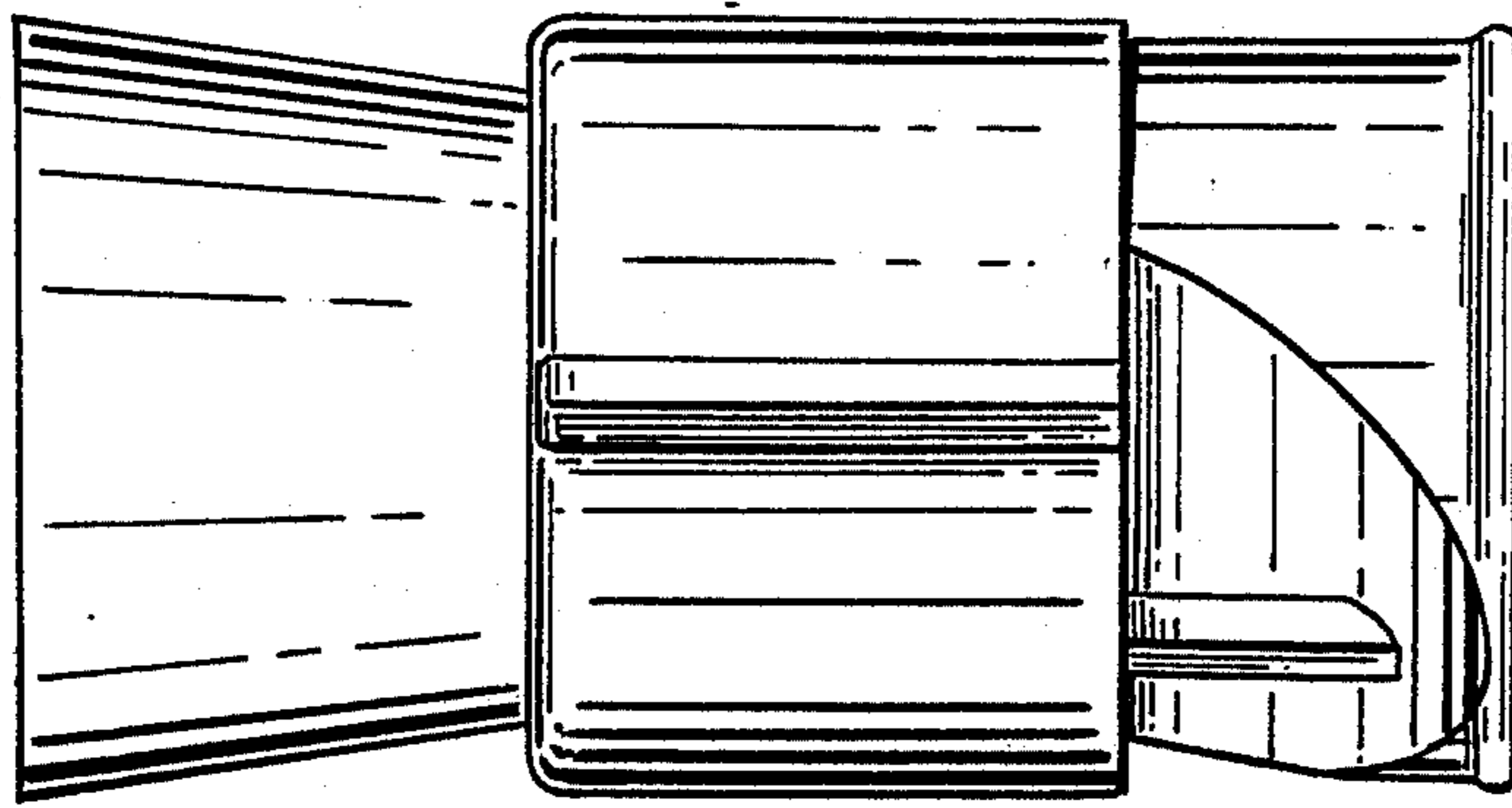


FIG. 5

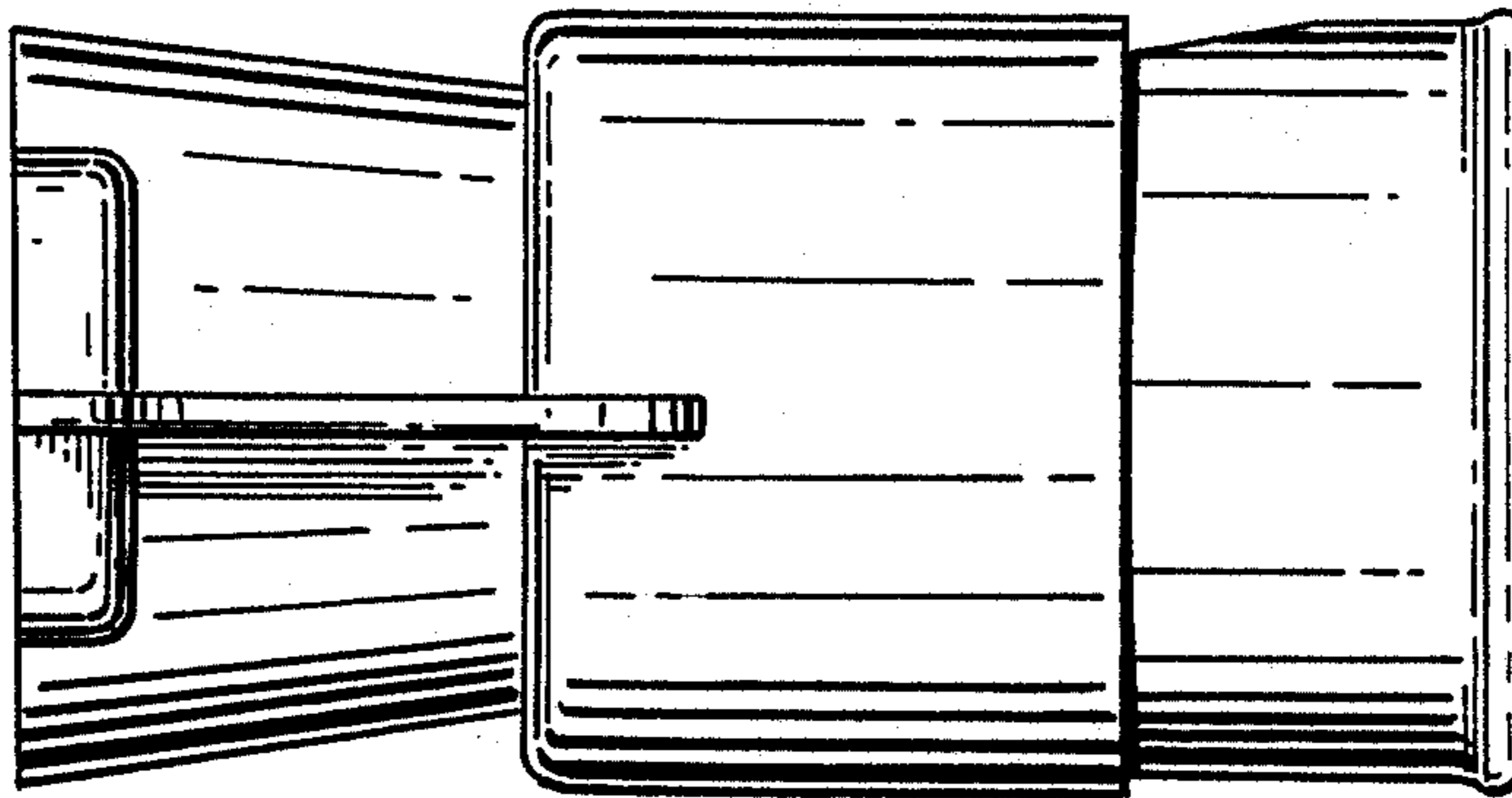


FIG. 6

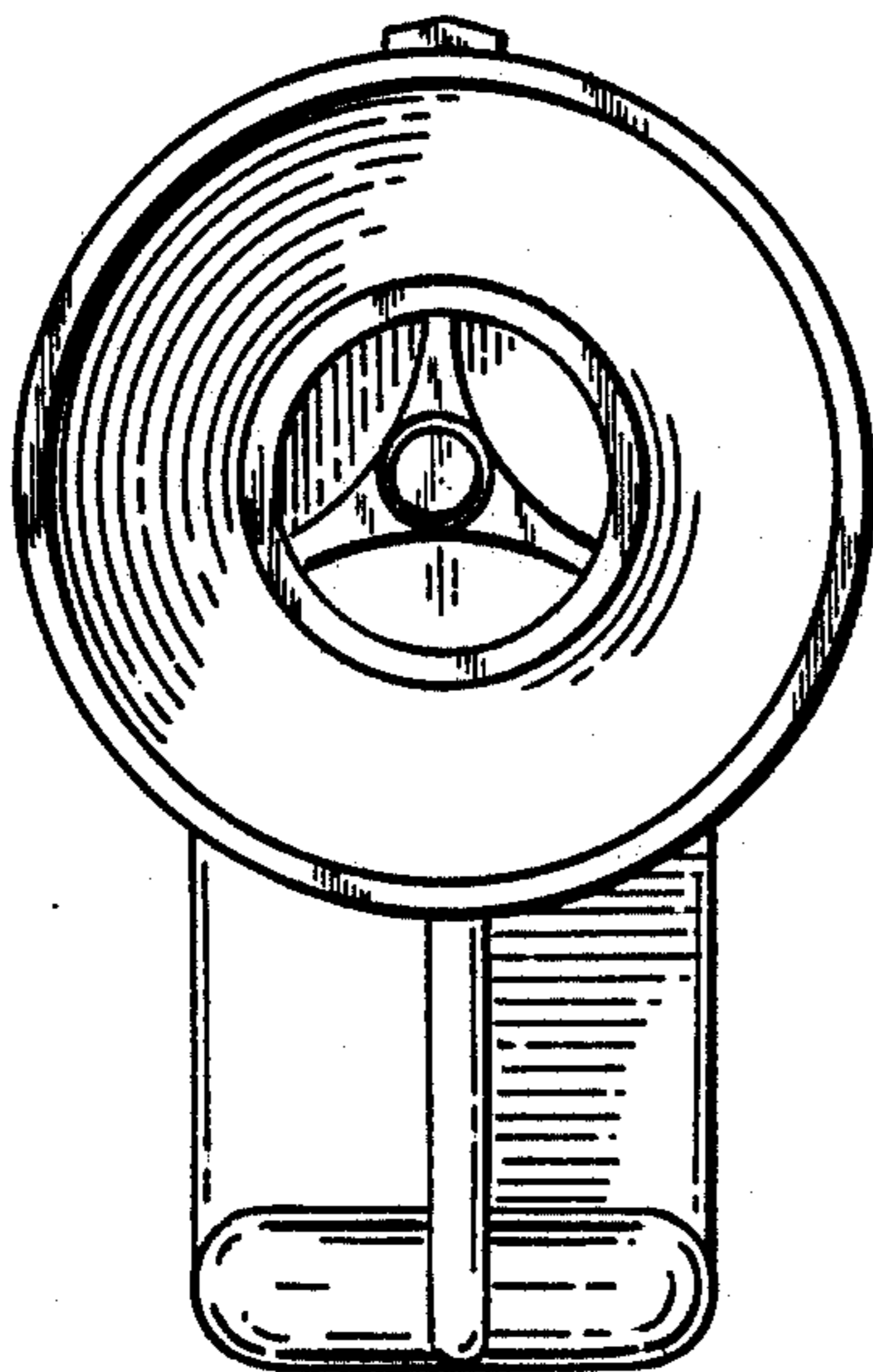


FIG. 7

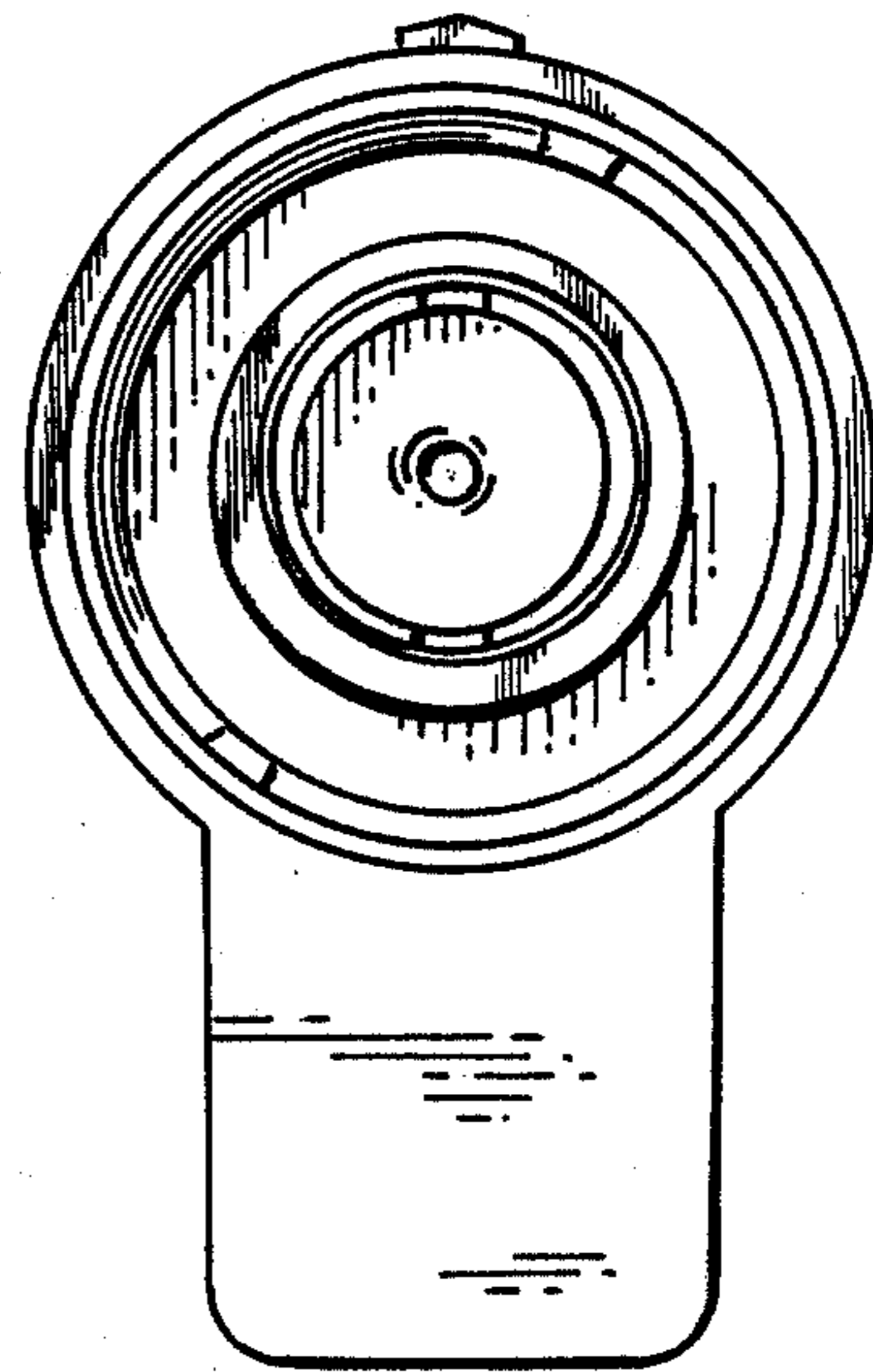


FIG. 8

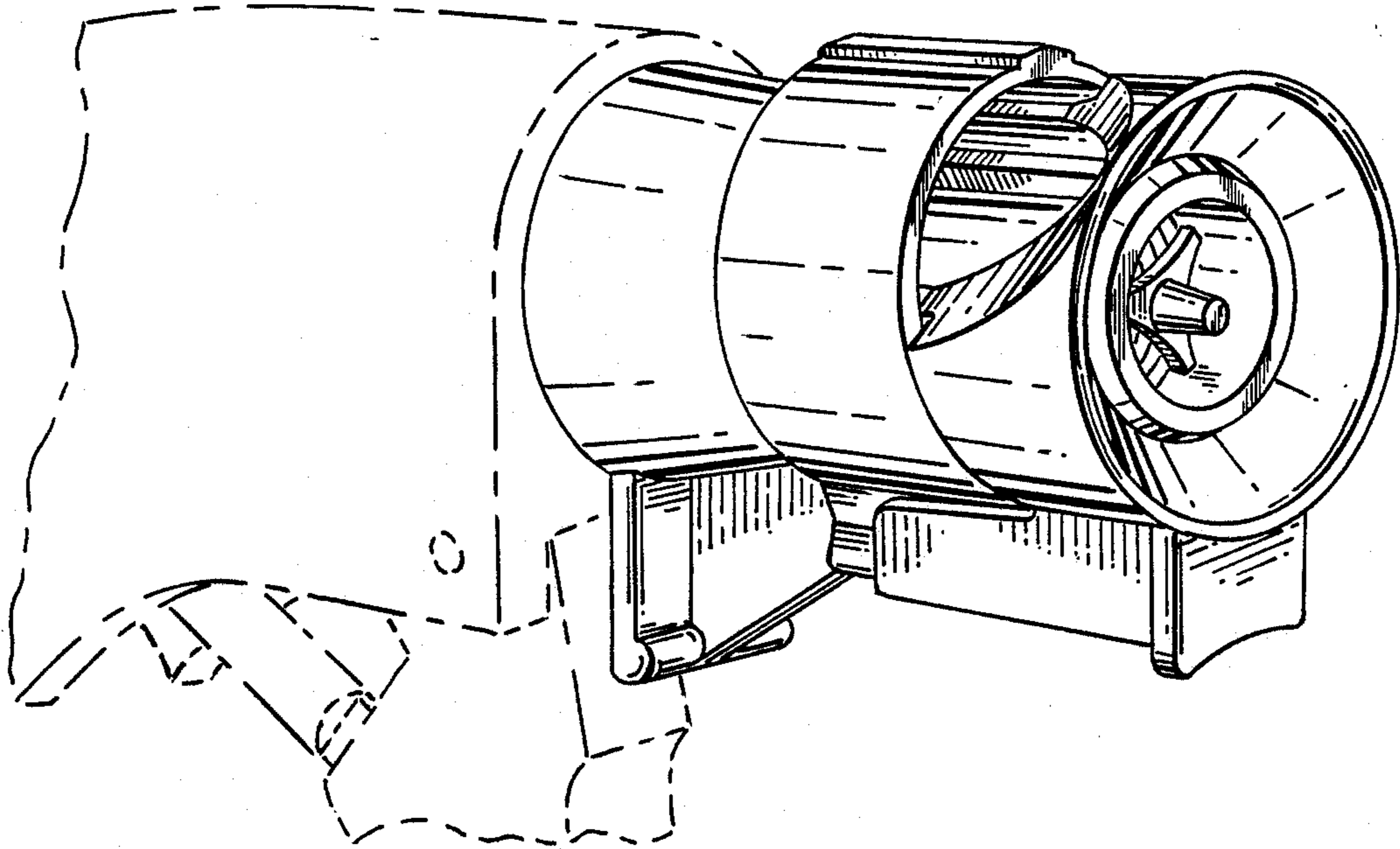


FIG. 9

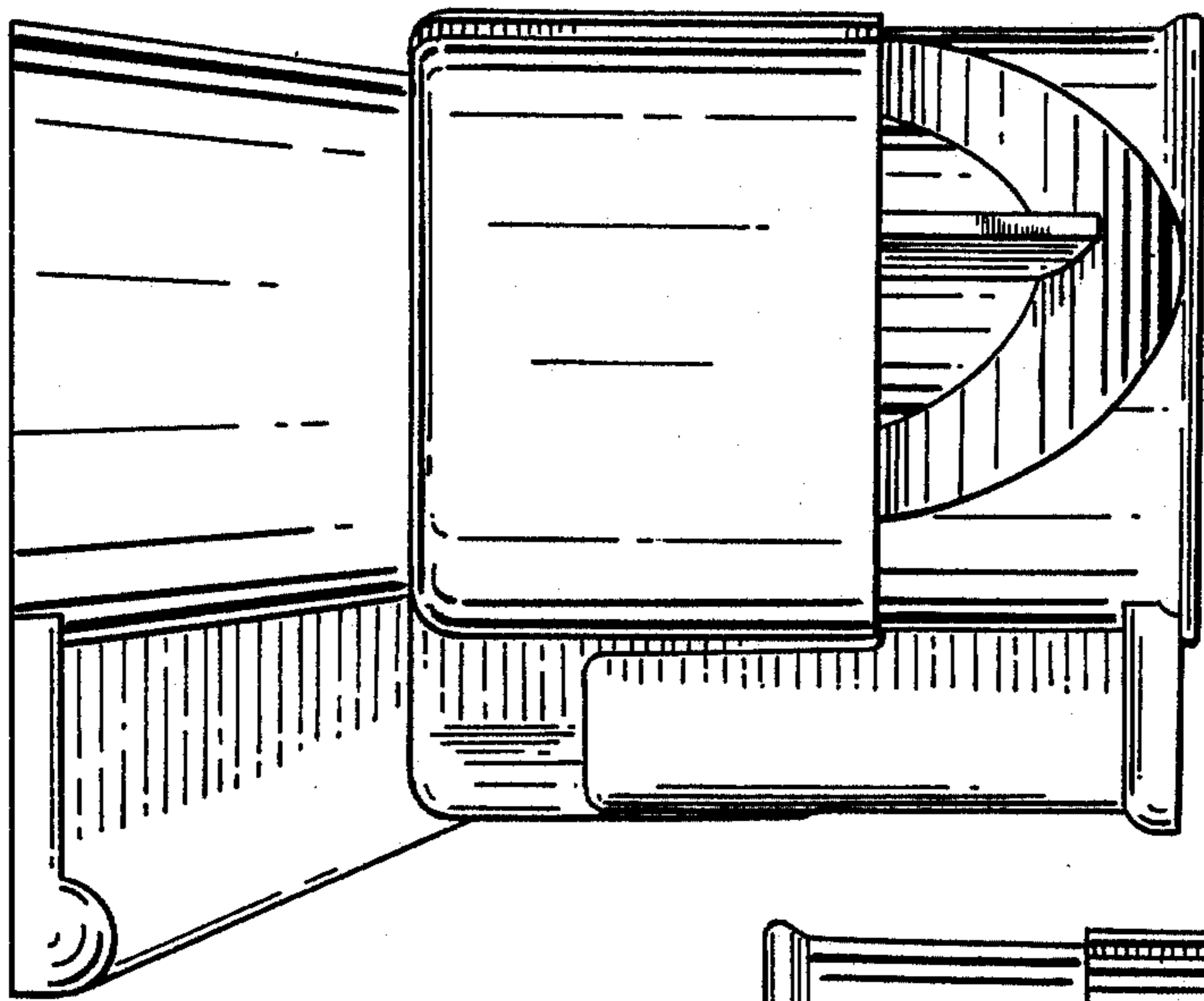


FIG. 10

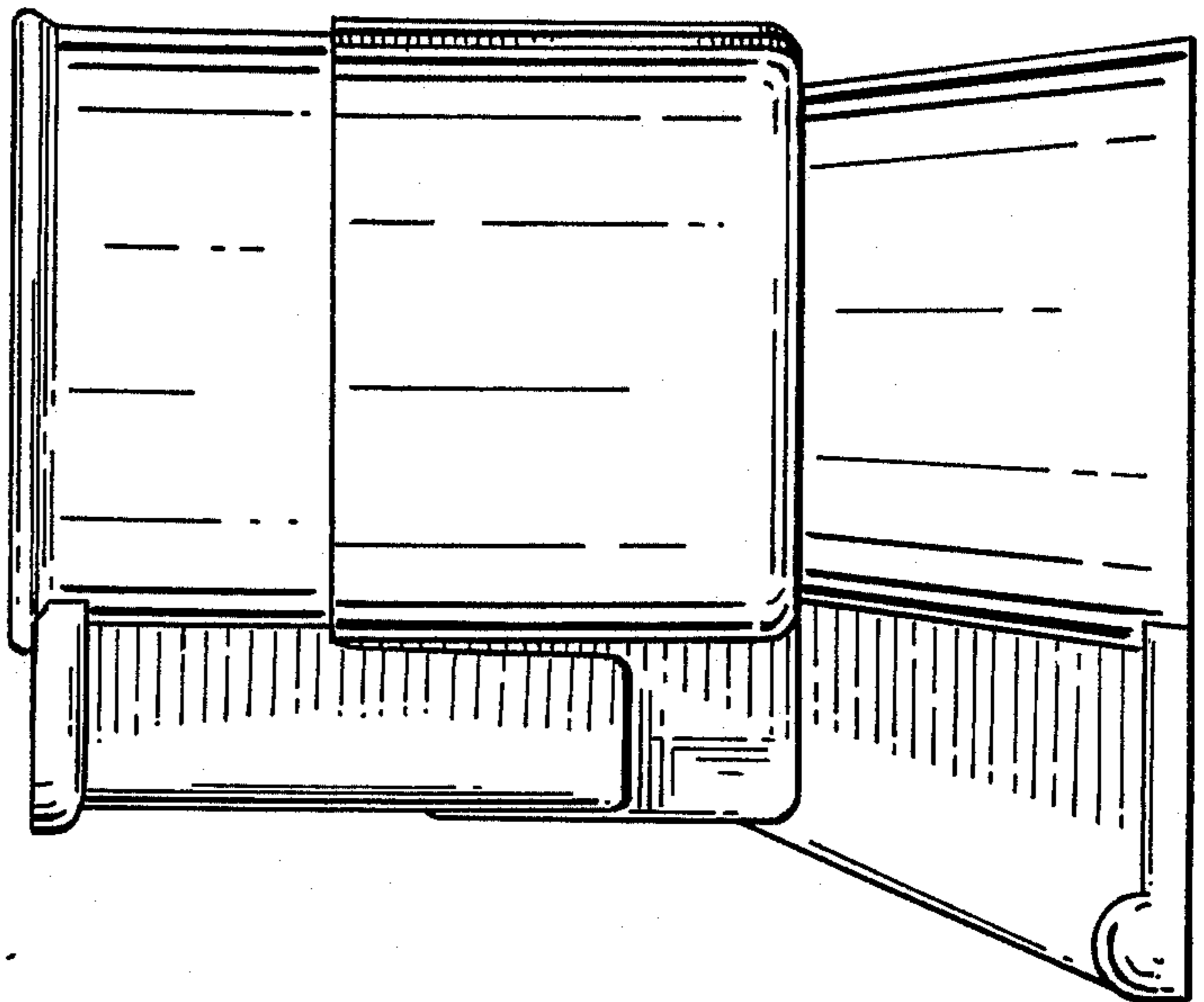


FIG. 11

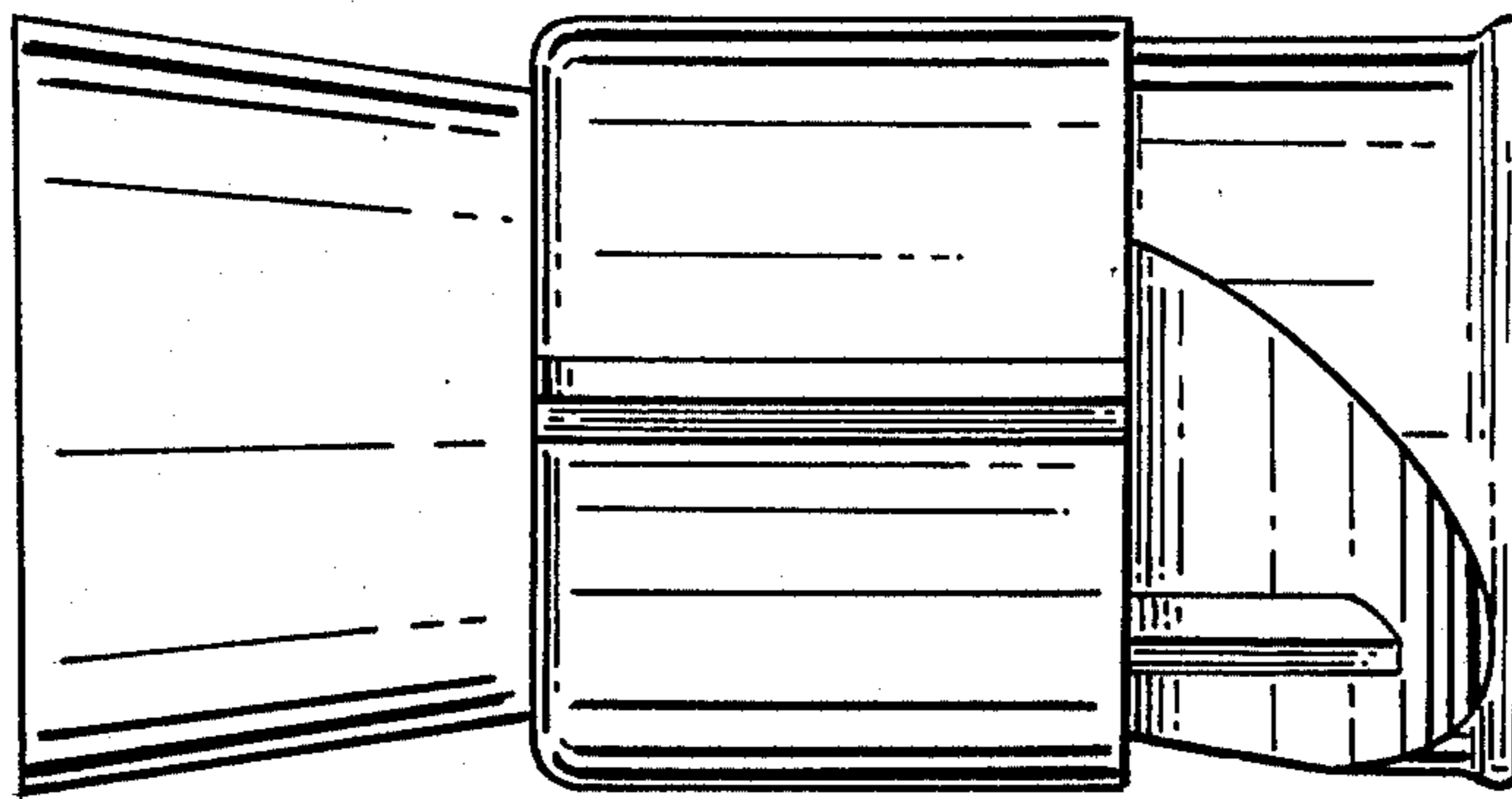


FIG. 12

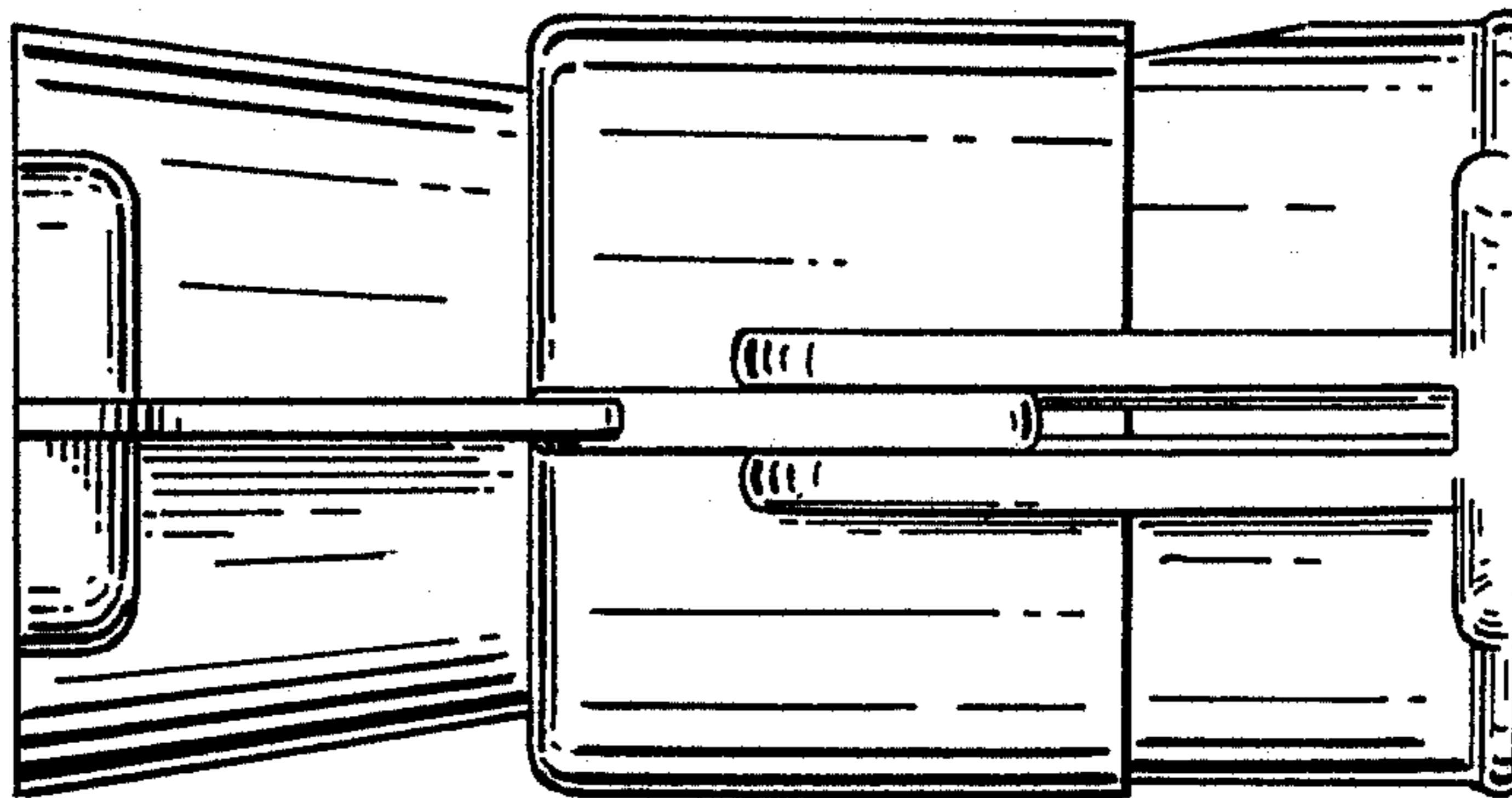


FIG. 13

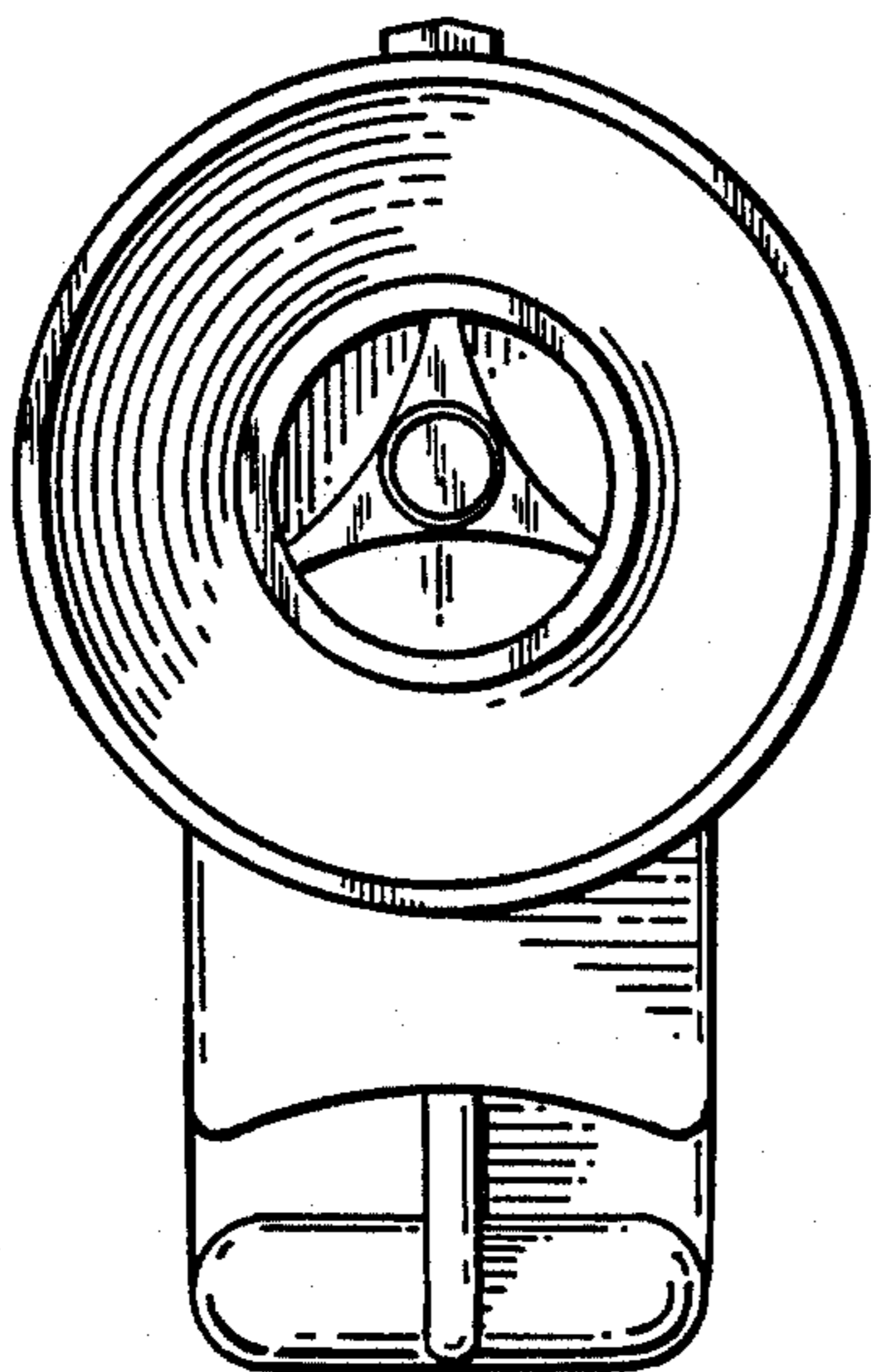


FIG. 14

