

[54] **FISHING REEL**

[75] **Inventor: Seiji Myojo, Sakai, Japan**

[73] **Assignee: Shimano Industrial Company Limited, Osaka, Japan**

[**] **Term: 14 Years**

[21] **Appl. No.: 916,054**

[22] **Filed: Oct. 6, 1986**

[30] **Foreign Application Priority Data**

Apr. 23, 1986 [JP] Japan 61-15211

[52] **U.S. Cl. D22/141**

[58] **Field of Search D22/141; 242/84.1 R, 242/84.2 R, 84.2 J**

[56] **References Cited**

U.S. PATENT DOCUMENTS

D. 269,798 7/1983 Fee et al. D22/141
D. 273,221 3/1984 Inuma D23/141

Primary Examiner—A. Hugo Word
Attorney, Agent, or Firm—Stevens, Davis, Miller & Mosher

[57] **CLAIM**

The ornamental design for a fishing reel, as shown.

DESCRIPTION

FIG. 1 is a perspective view of a fishing reel taken from the bottom, front and right side showing my new design;

FIG. 2 is a perspective view thereof taken from the top, rear and left side;

FIG. 3 is a right side elevational view thereof; and
FIG. 4 is a bottom view thereof.

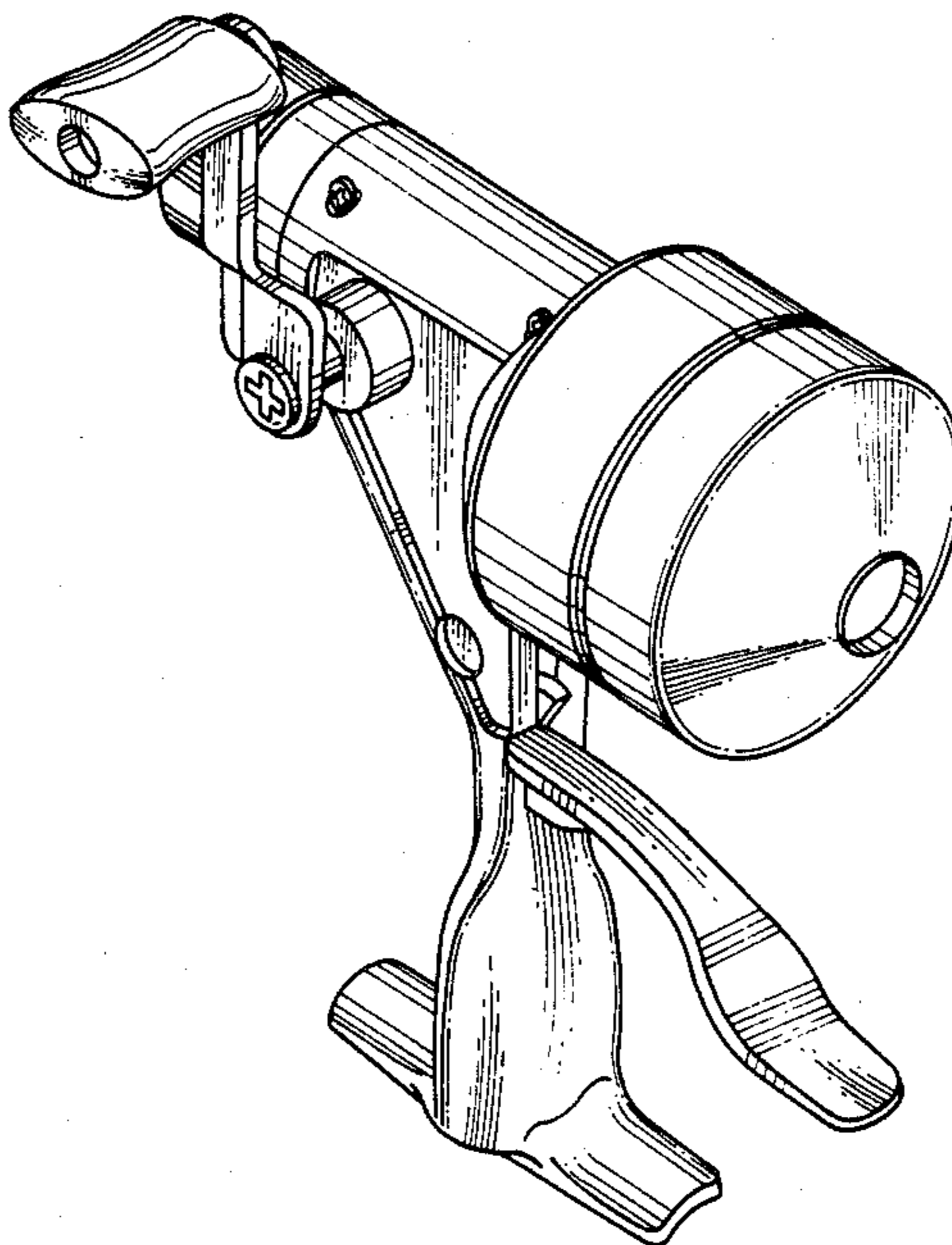


FIG.2

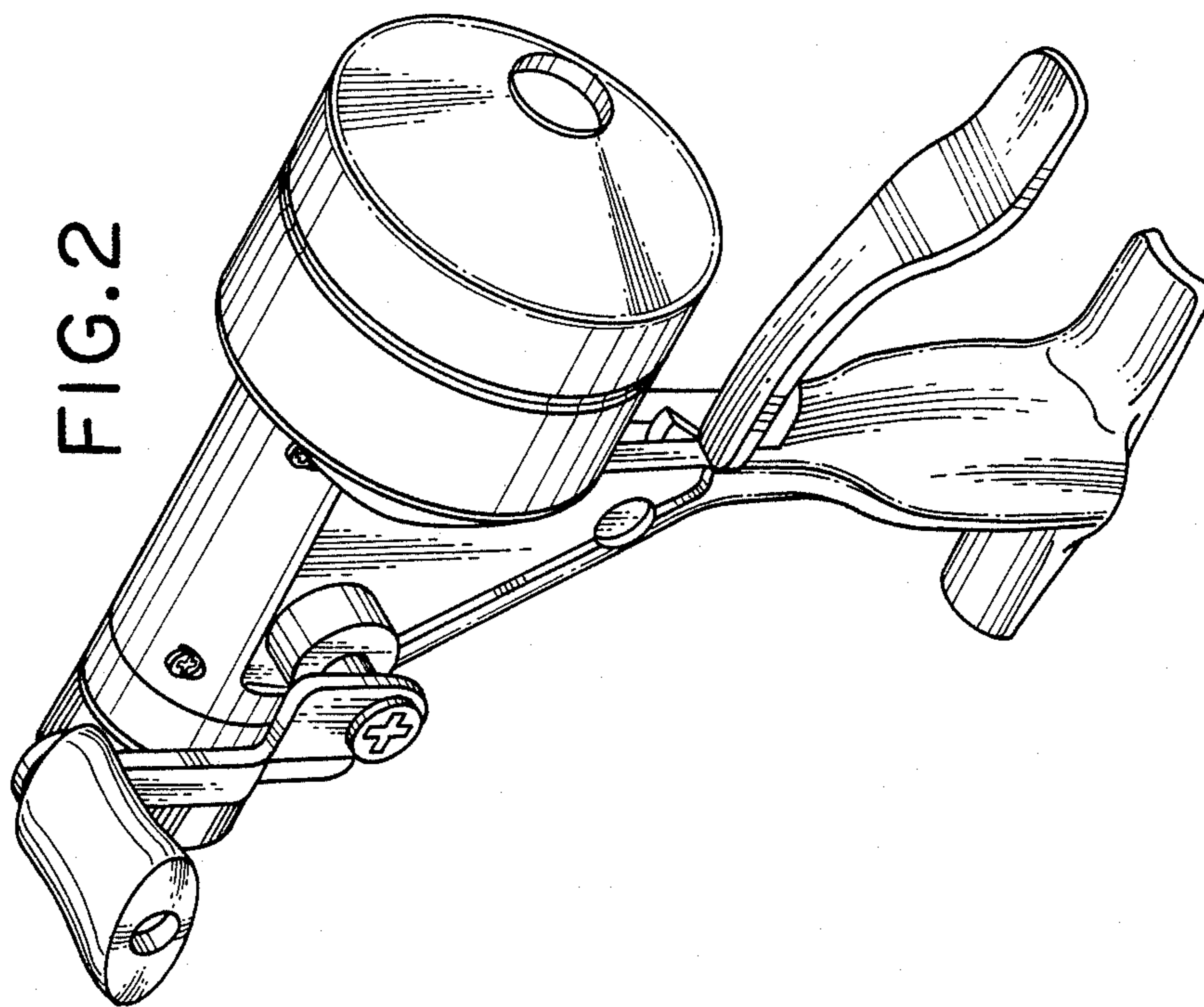
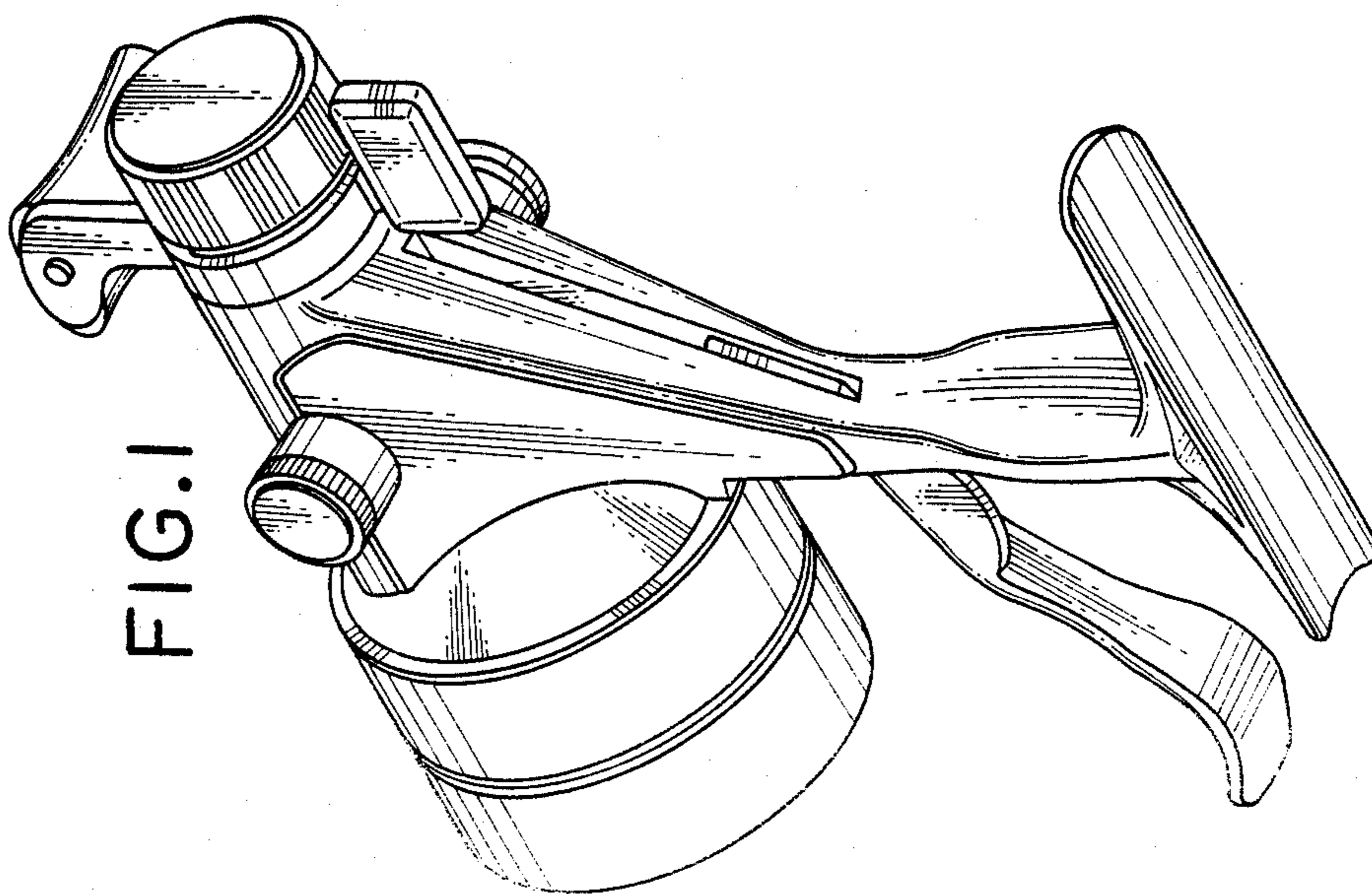


FIG.1



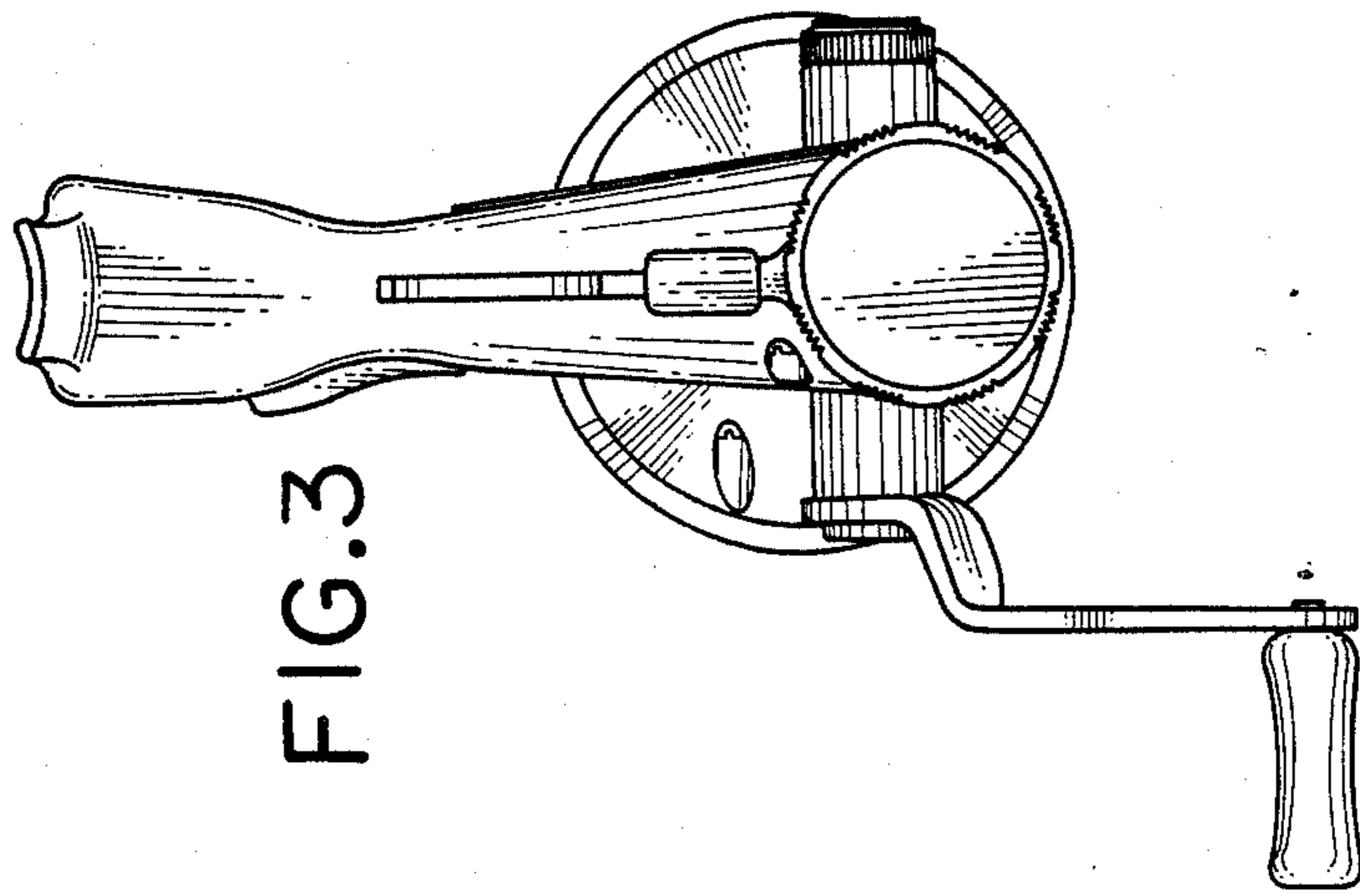


FIG. 3

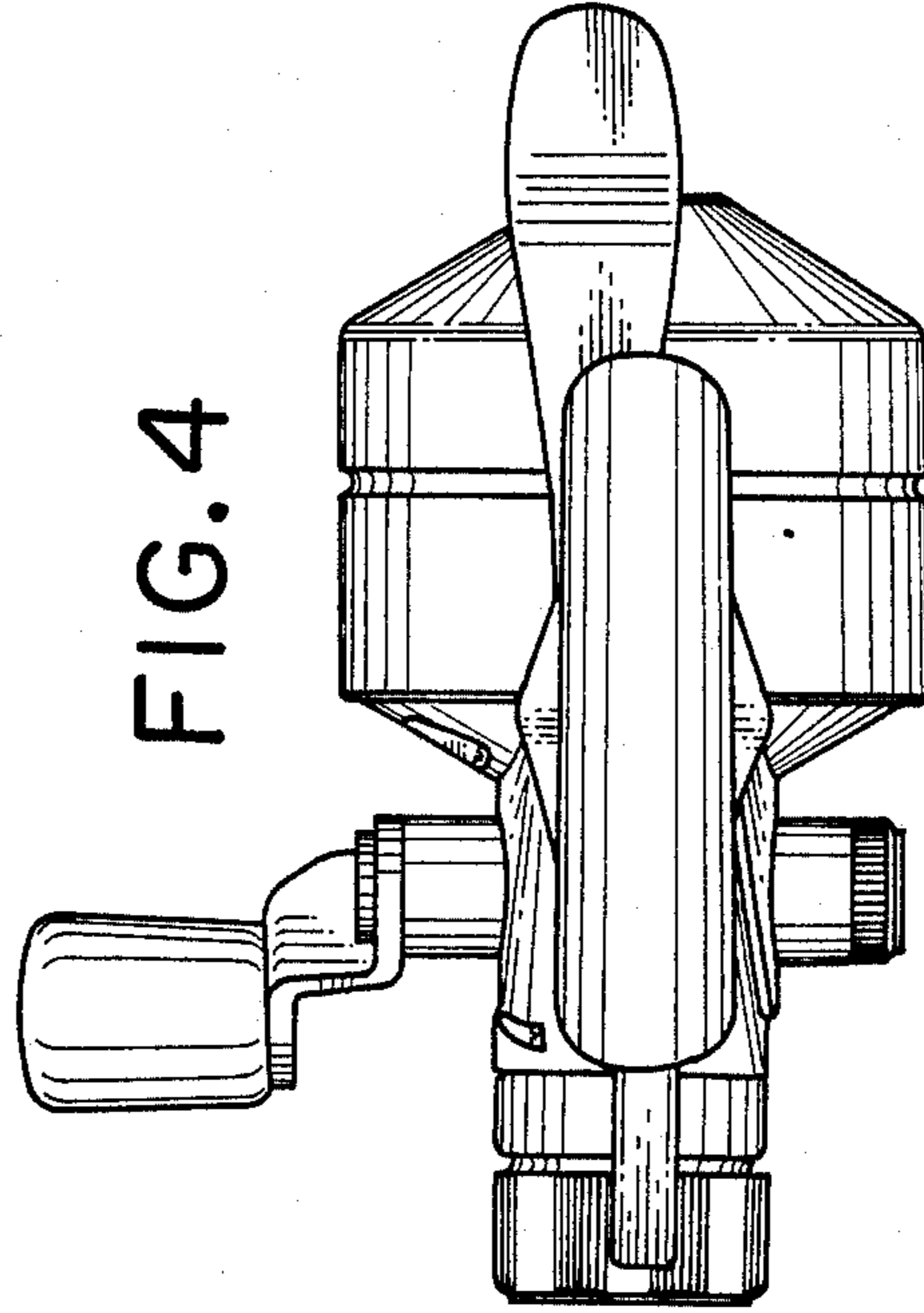


FIG. 4