

[54] **RIFLE**

[75] **Inventor: Izhak Zelzer, Hod Hasharon, Israel**

[73] **Assignee: The State of Israel, Ministry of Defence, Israel Military Industries, Israel**

[**] **Term: 14 Years**

[21] **Appl. No.: 819,017**

[22] **Filed: Jan. 15, 1986**

[30] **Foreign Application Priority Data**

Aug. 13, 1985 [IL] Israel 10805

[52] **U.S. Cl. D22/103**

[58] **Field of Search D22/103, 108; 42/70.07, 42/74**

[56] **References Cited**

U.S. PATENT DOCUMENTS

D. 219,969 2/1971 Selnau D22/108
D. 220,691 5/1971 Peterson D22/108

Primary Examiner—A. Hugo Word
Attorney, Agent, or Firm—Steinberg & Raskin

[57] **CLAIM**

The ornamental design for a rifle, as shown.

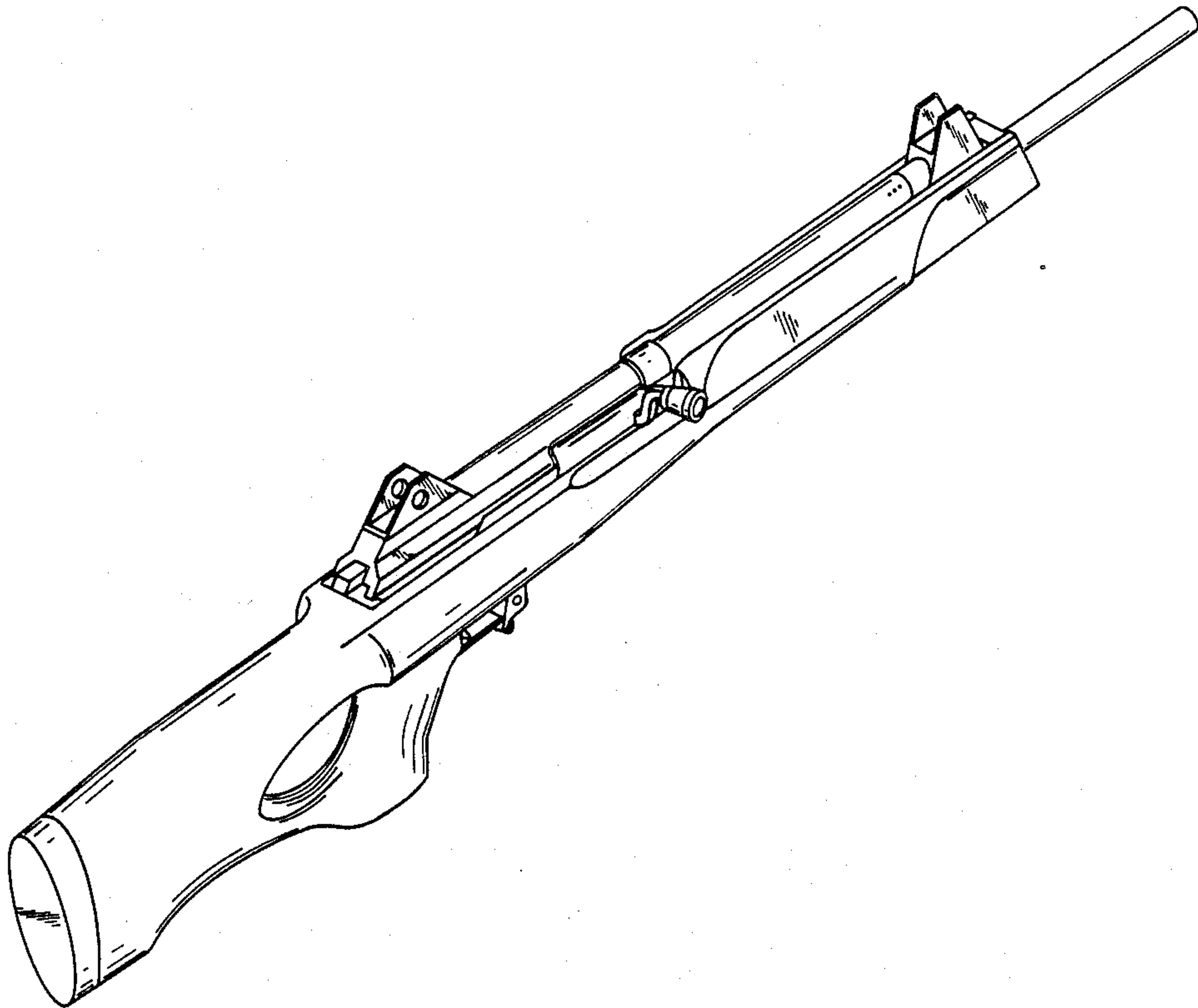
DESCRIPTION

FIG. 1 is a perspective view from above and the right hand side of a rifle showing my new design;

FIG. 2 is a perspective view from above and the left hand side thereof;

FIG. 3 is a perspective view from below and the right hand side thereof; and

FIG. 4 is a perspective view from below and the left hand side thereof.



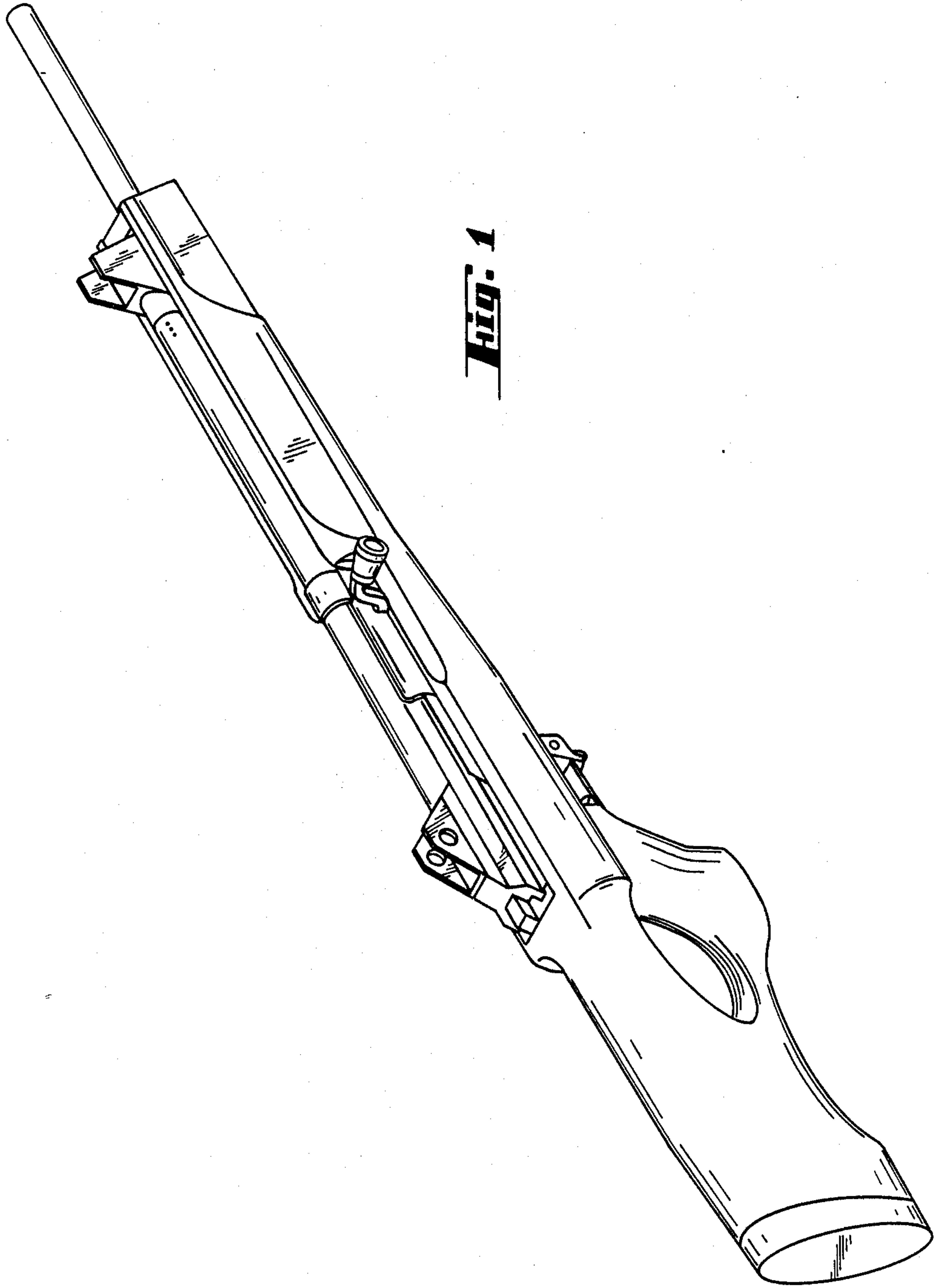


FIG. 1

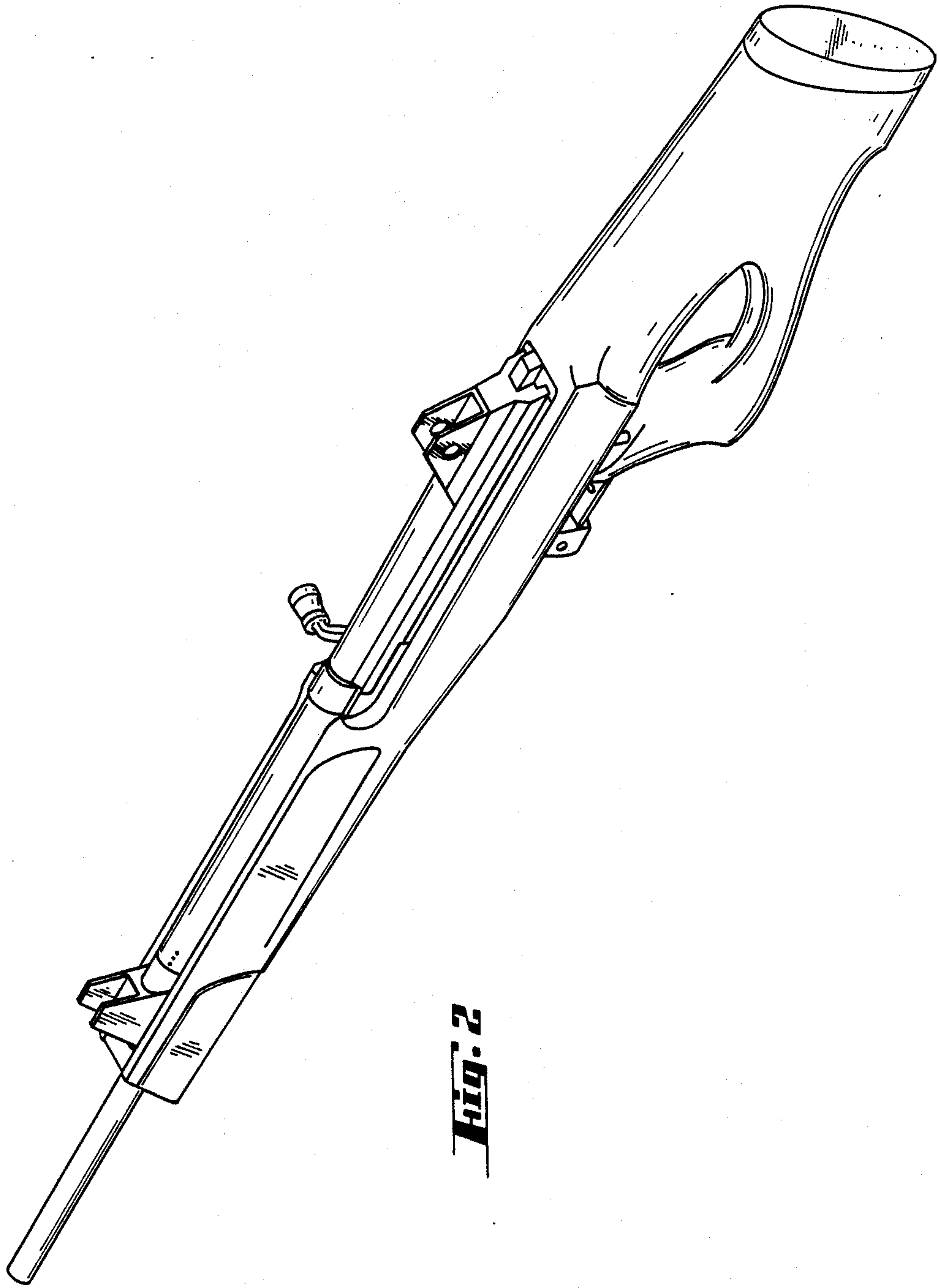


Fig. 2

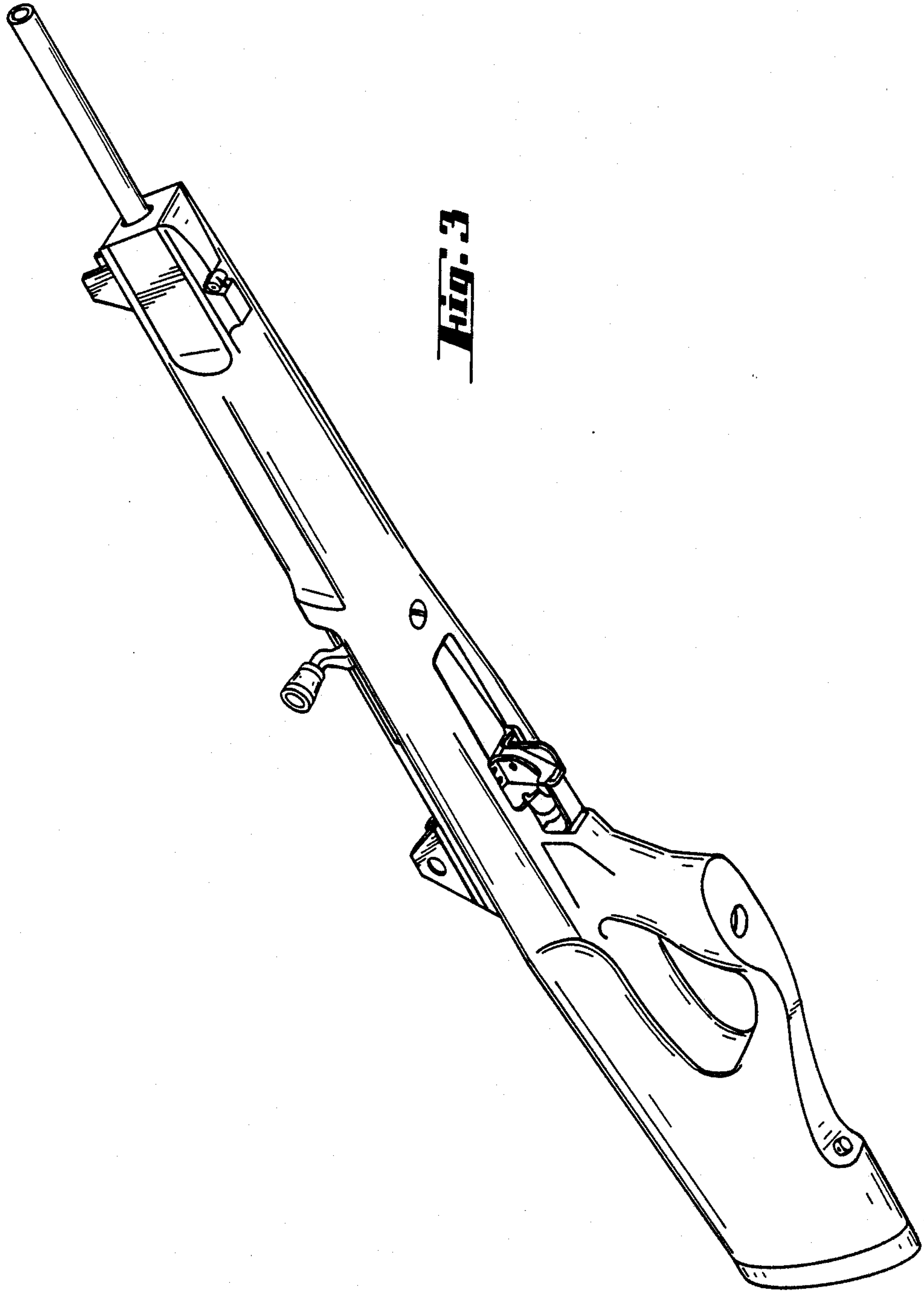


Fig. 3

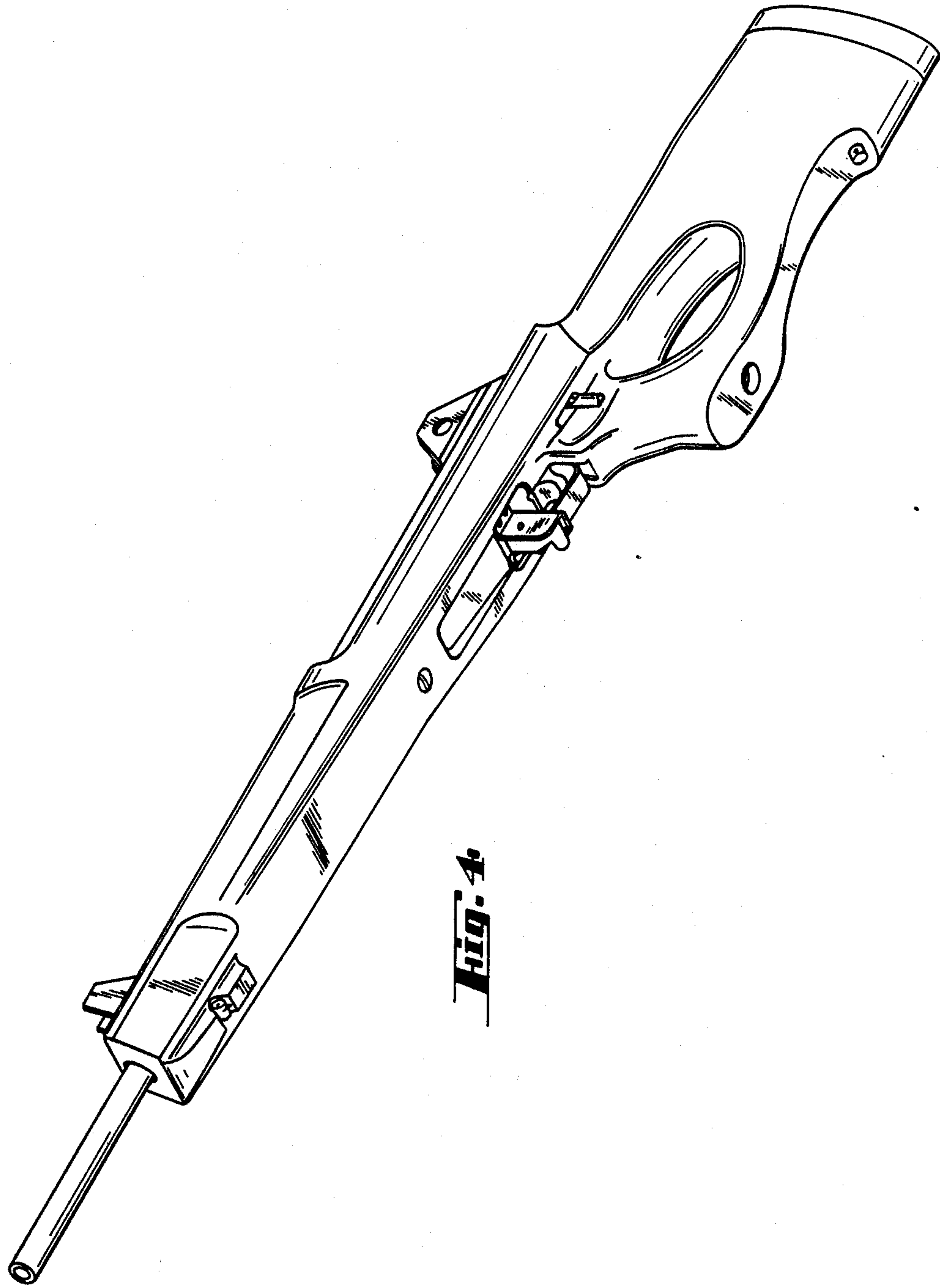


Fig. 4