

[54] SUPPORT FOR TOY MOBILE

[75] Inventors: D. Michael Williams, New York; Lois E. Kelly, Brooklyn, both of N.Y.; David W. Schweitzer, Fairfield, Conn.; John Piszko, Edison; George Lopac, Piscataway, both of N.J.

[73] Assignee: Johnson & Johnson Consumer Products, Inc., New Brunswick, N.J.

[**] Term: 14 Years

[21] Appl. No.: 827,314

[22] Filed: Feb. 7, 1986

[52] U.S. Cl. D21/63

[58] Field of Search D21/63-65; D11/141; 446/458, 487; 40/495, 539; 428/7

[56] References Cited

U.S. PATENT DOCUMENTS

- D. 264,104 4/1982 Gompes D21/65
- D. 278,446 4/1985 Kujawski et al. D21/63

- D. 282,383 1/1986 Nakao et al. D21/63
- D. 285,946 9/1986 Toth D21/63

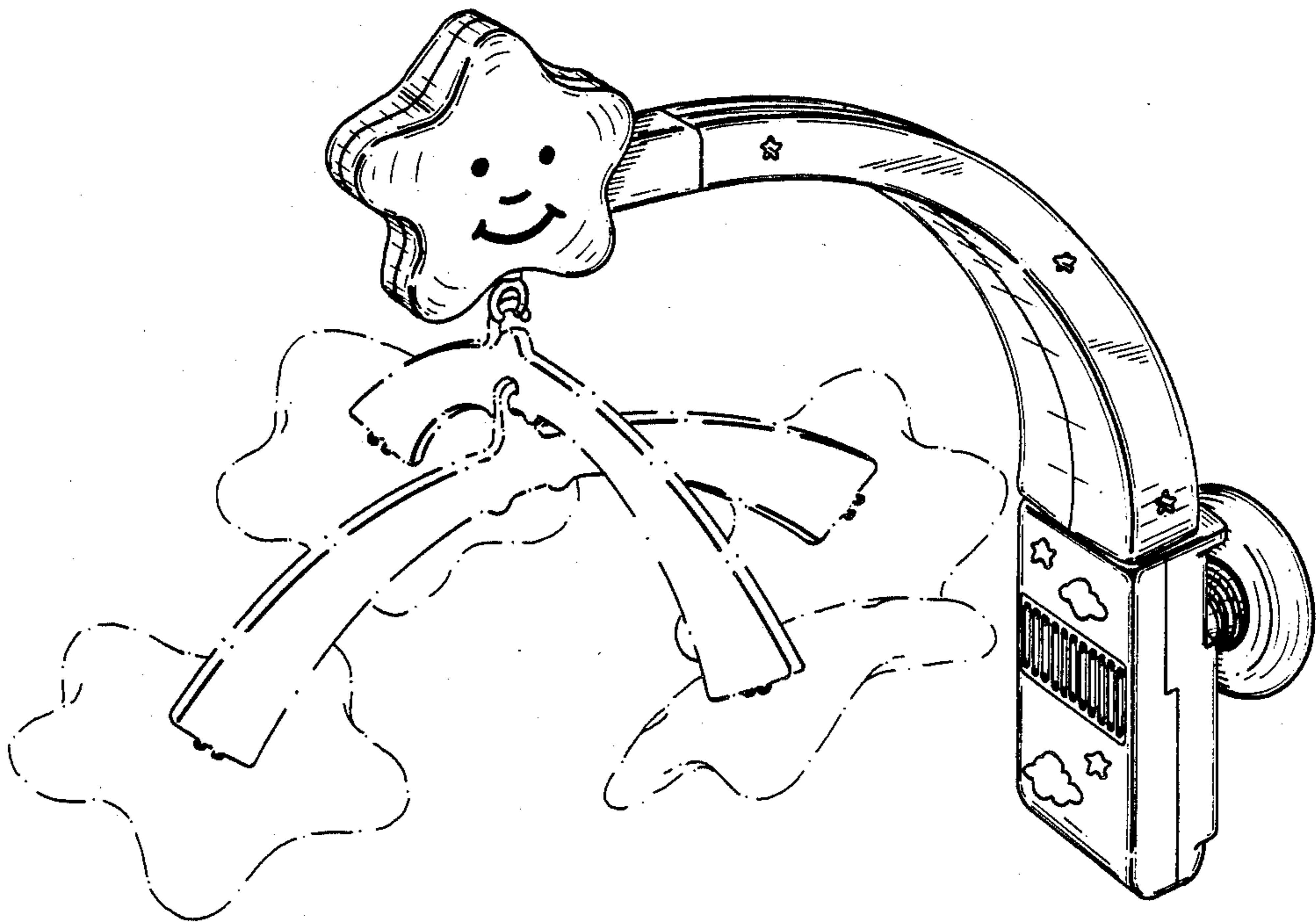
Primary Examiner—Charles A. Rademaker
Attorney, Agent, or Firm—Lawrence D. Schuler

[57] CLAIM

The ornamental design for support for toy mobile, as shown and described.

DESCRIPTION

FIG. 1 is a perspective view of a support for a toy mobile showing my new design;
 FIG. 2 is a top plan view thereof;
 FIG. 3 is a front elevational view thereof;
 FIG. 4 is a left side elevational view thereof;
 FIG. 5 is a right side elevational view thereof;
 FIG. 6 is a rear elevational view thereof;
 FIG. 7 is a bottom plan view thereof; and
 FIG. 8 is a perspective view of a modified embodiment of the design shown in FIGS. 1 through 7.
 The broken line showing of environment in FIGS. 1 and 8 is for illustrative purposes only and forms no part of the claimed design.



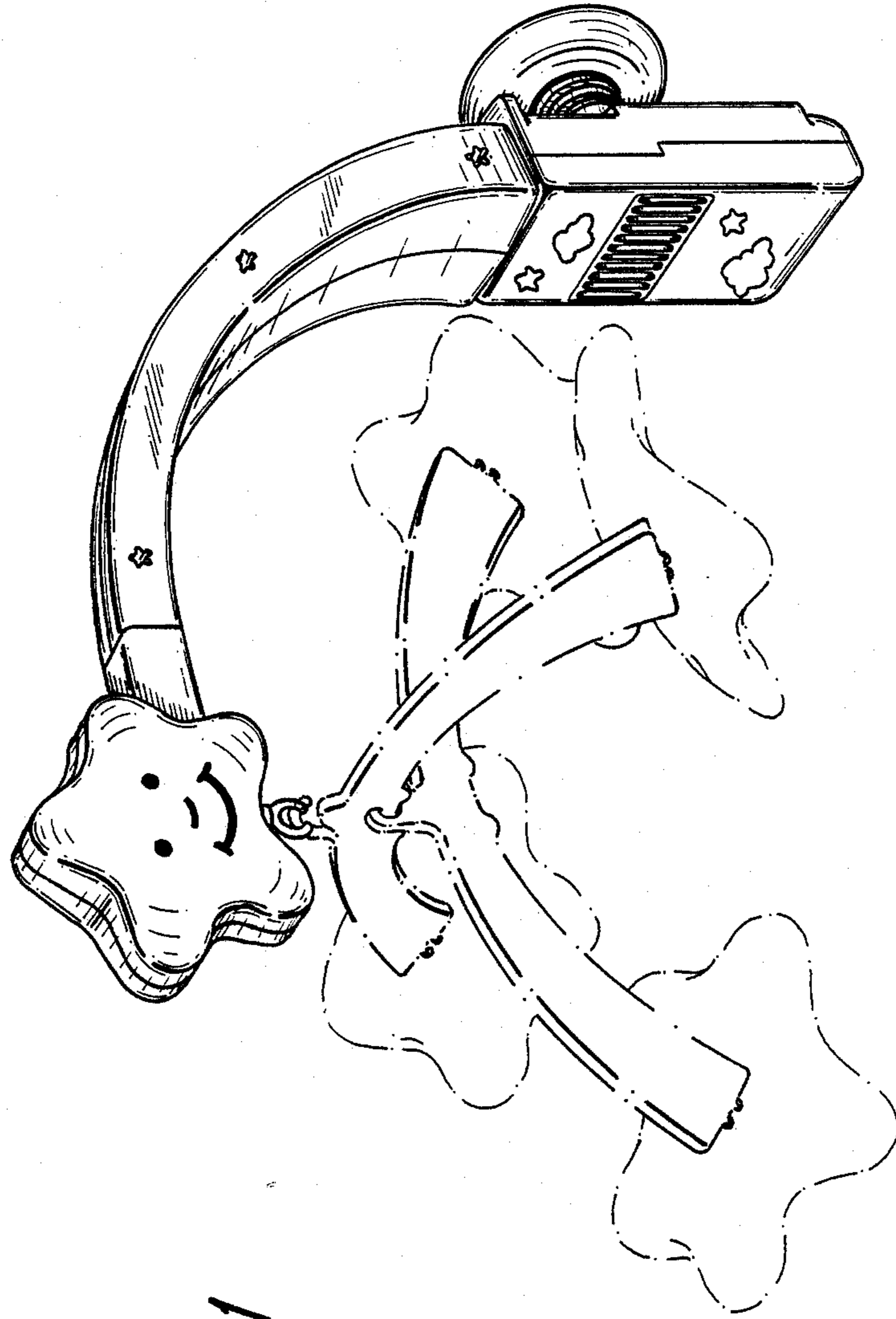


FIG-1

FIG-2

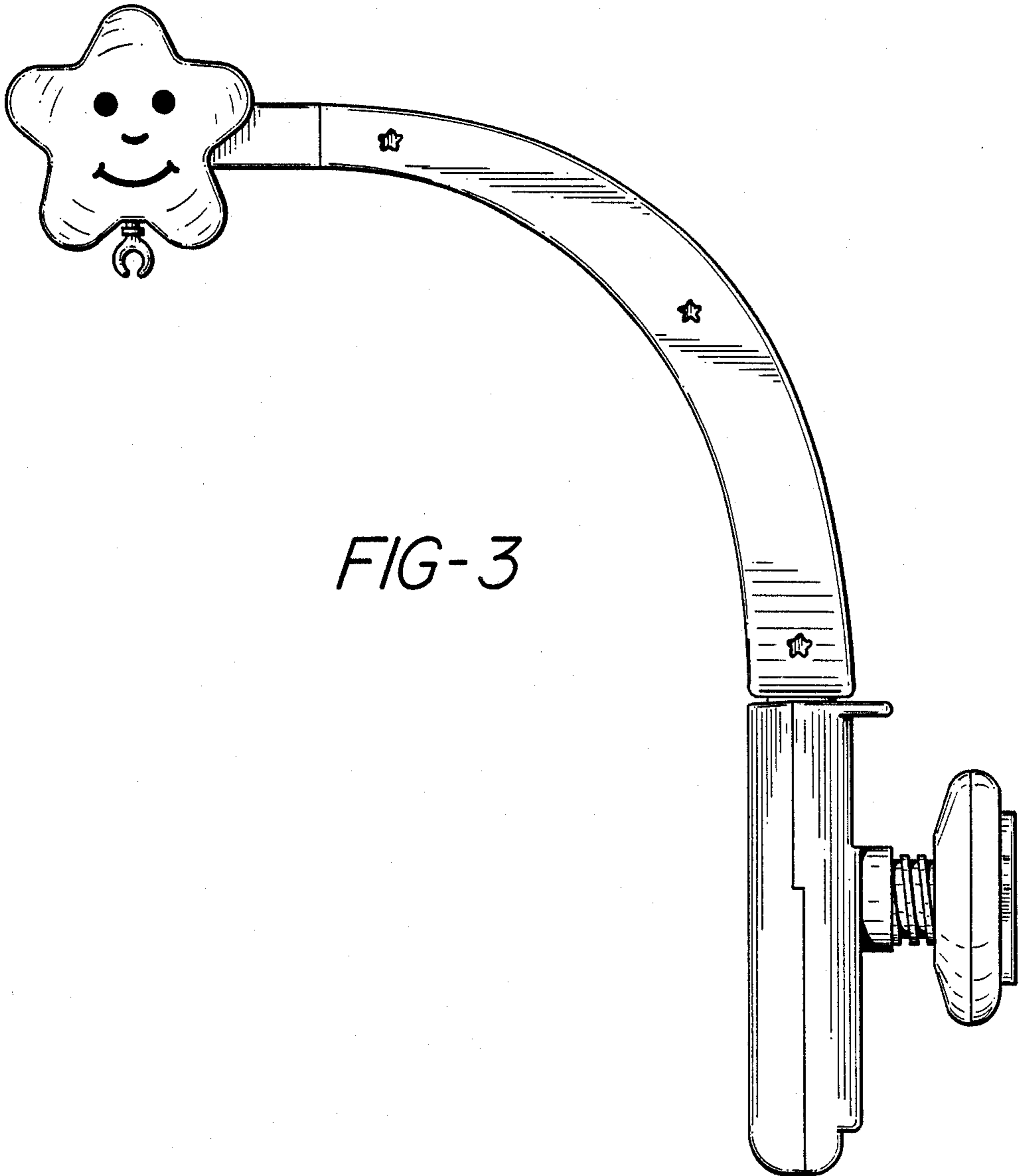
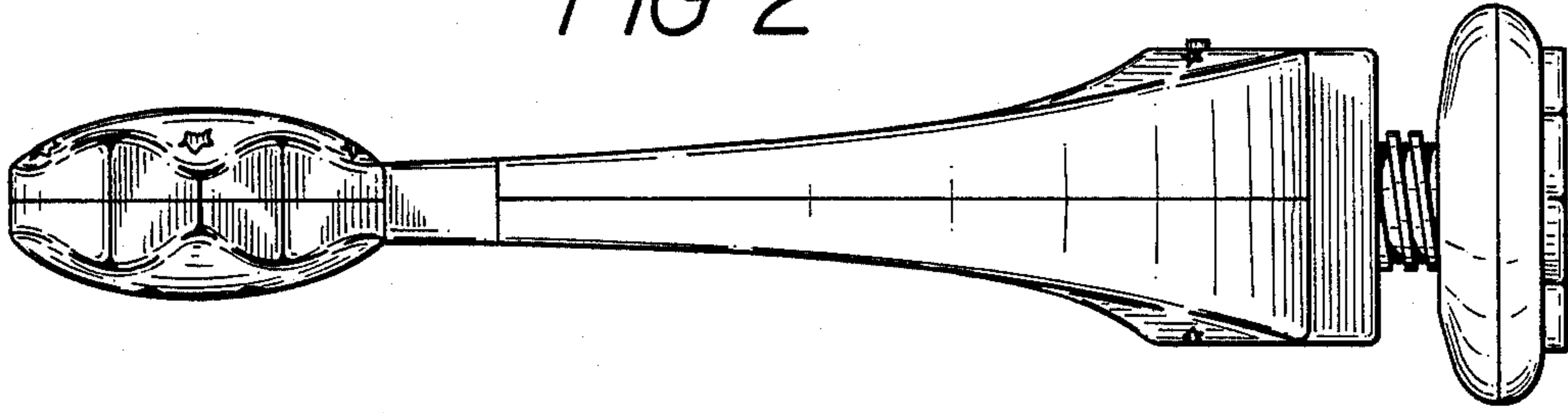


FIG-3

FIG-4

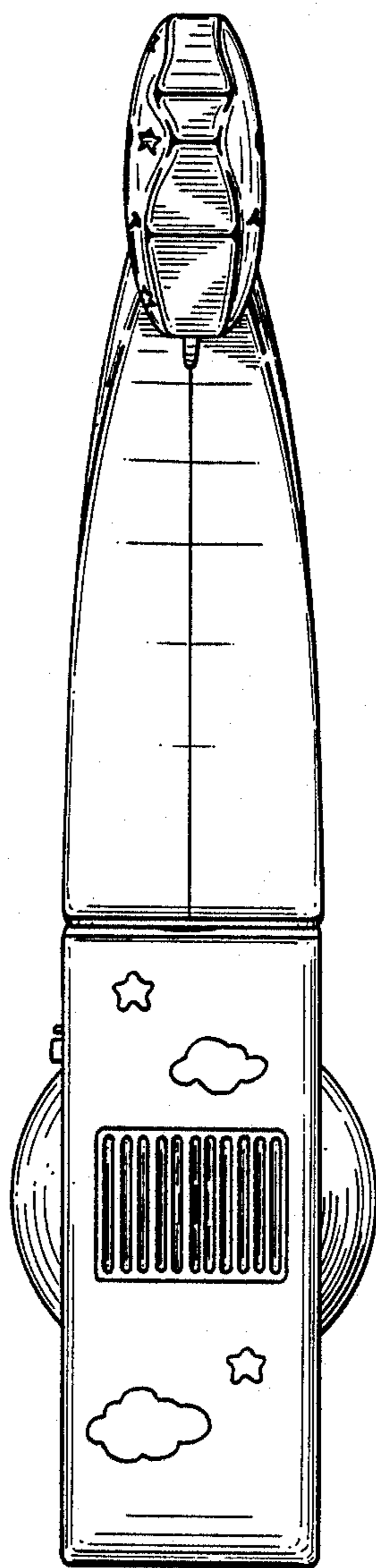
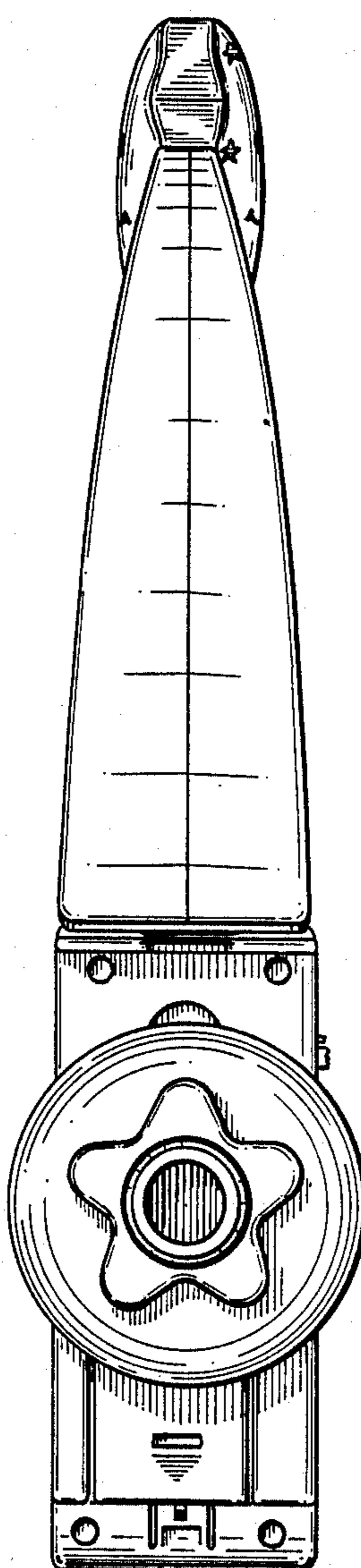


FIG-5



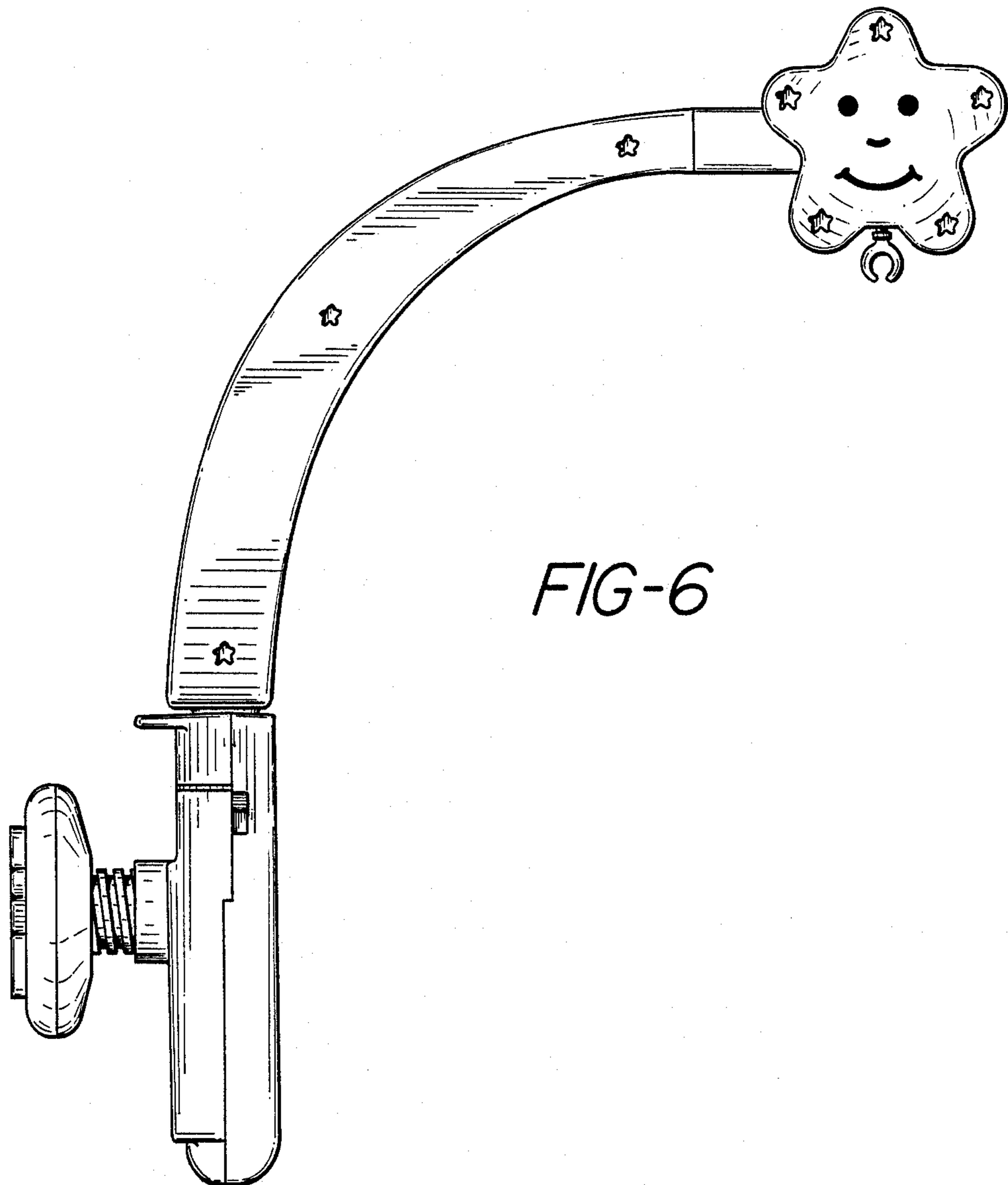


FIG-6

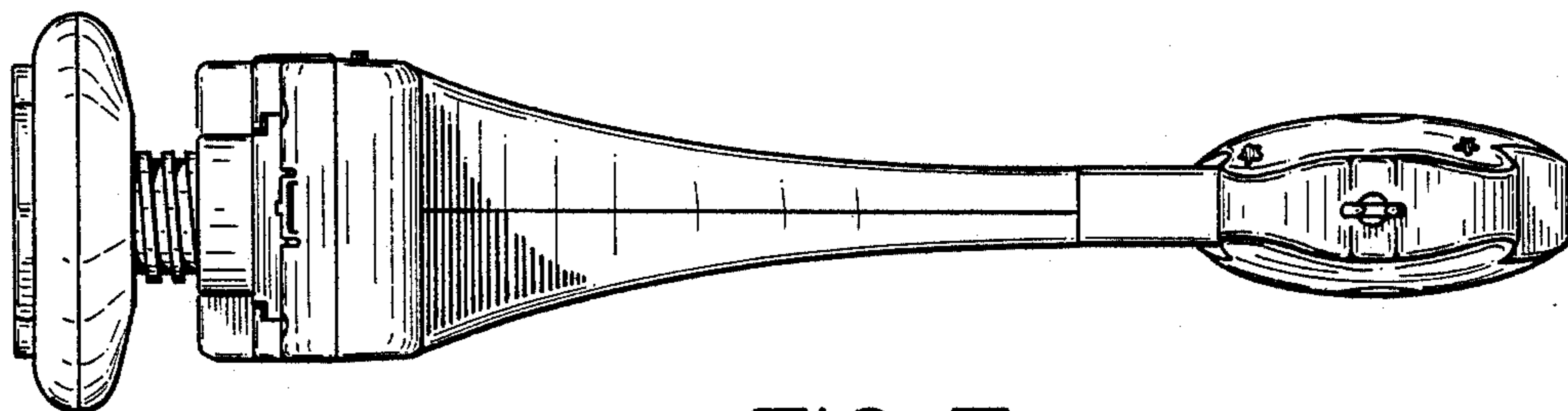


FIG-7

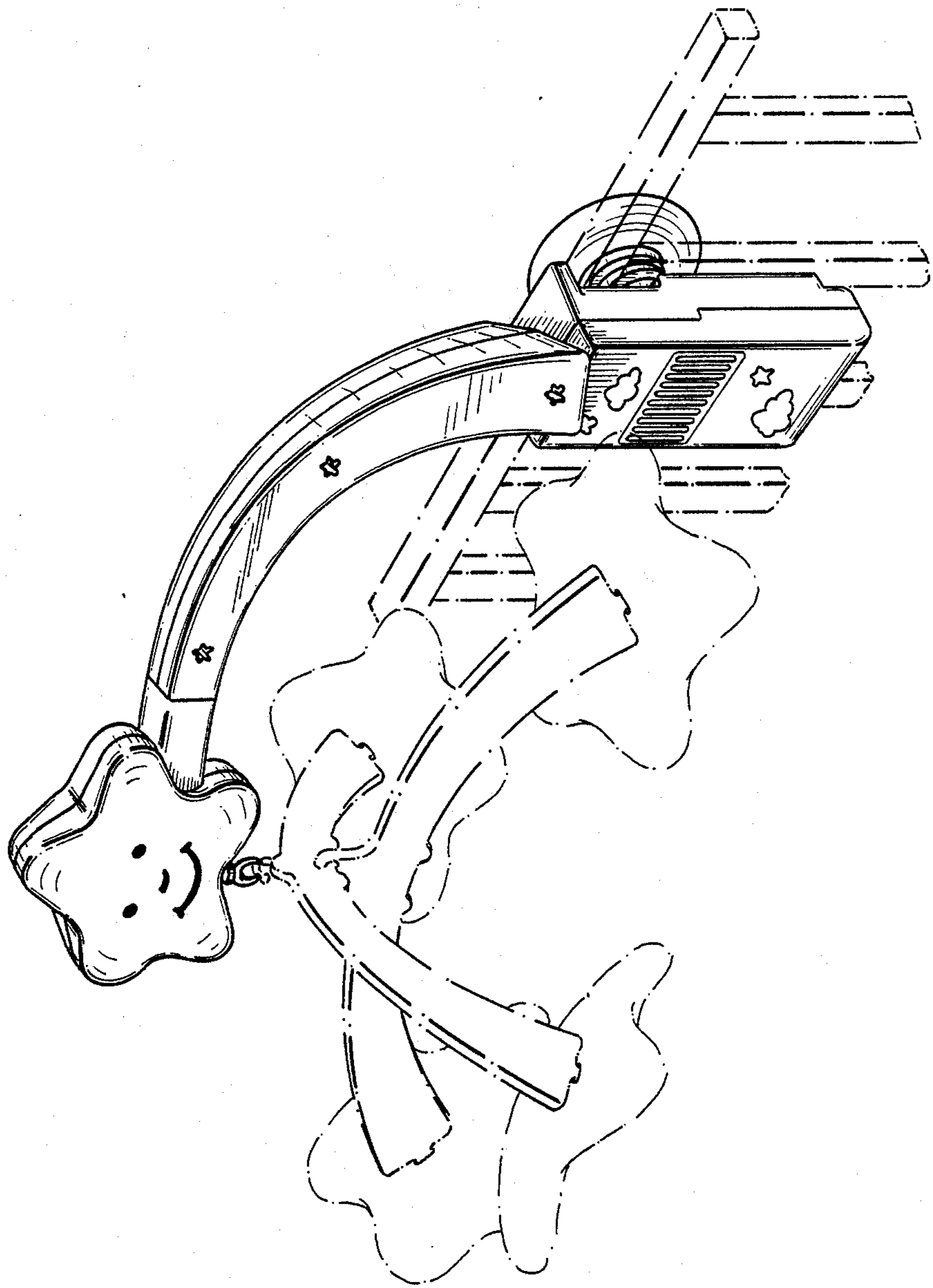


FIG-8