

United States Patent [19]

Williams et al.

[11] Patent Number: **Des. 299,935**

[45] Date of Patent: **** Feb. 21, 1989**

[54] **MOBILE ELEMENT**

[75] Inventors: **D. Michael Williams**, New York;
Lois E. Kelly, Brooklyn, both of
N.Y.; **David W. Schweitzer**, Fairfield,
Conn.; **John Piszko**, Edison; **George
Lopac**, Piscataway, both of N.J.

[73] Assignee: **Johnson & Johnson Consumer
Products, Inc.**, New Brunswick, N.J.

[**] Term: **14 Years**

[21] Appl. No.: **827,298**

[22] Filed: **Feb. 7, 1986**

[52] U.S. Cl. **D21/63**

[58] Field of Search **D21/63-65;**
D11/141; 446/458, 487; 40/495, 539; 428/7

[56] **References Cited**

U.S. PATENT DOCUMENTS

D. 189,821 2/1961 Lyon et al. D21/63

D. 264,104 4/1982 Gompes D21/65
D. 278,446 4/1985 Kujawski et al. D21/63
D. 282,383 1/1986 Nakao et al. D21/63
D. 285,946 9/1986 Toth D21/63

Primary Examiner—Charles A. Rademaker
Attorney, Agent, or Firm—Lawrence D. Schuler

[57] **CLAIM**

The ornamental design for a mobile element, as shown and described.

DESCRIPTION

FIG. 1 is a perspective view of a mobile element embodying our new design;
FIG. 2 is a right side elevational view of the mobile element;
FIG. 3 is a top plan view thereof;
FIG. 4 is a front elevational view thereof;
FIG. 5 is a bottom plan view; and
FIG. 6 is an enlarged fragmentary view of a portion of the mobile element.

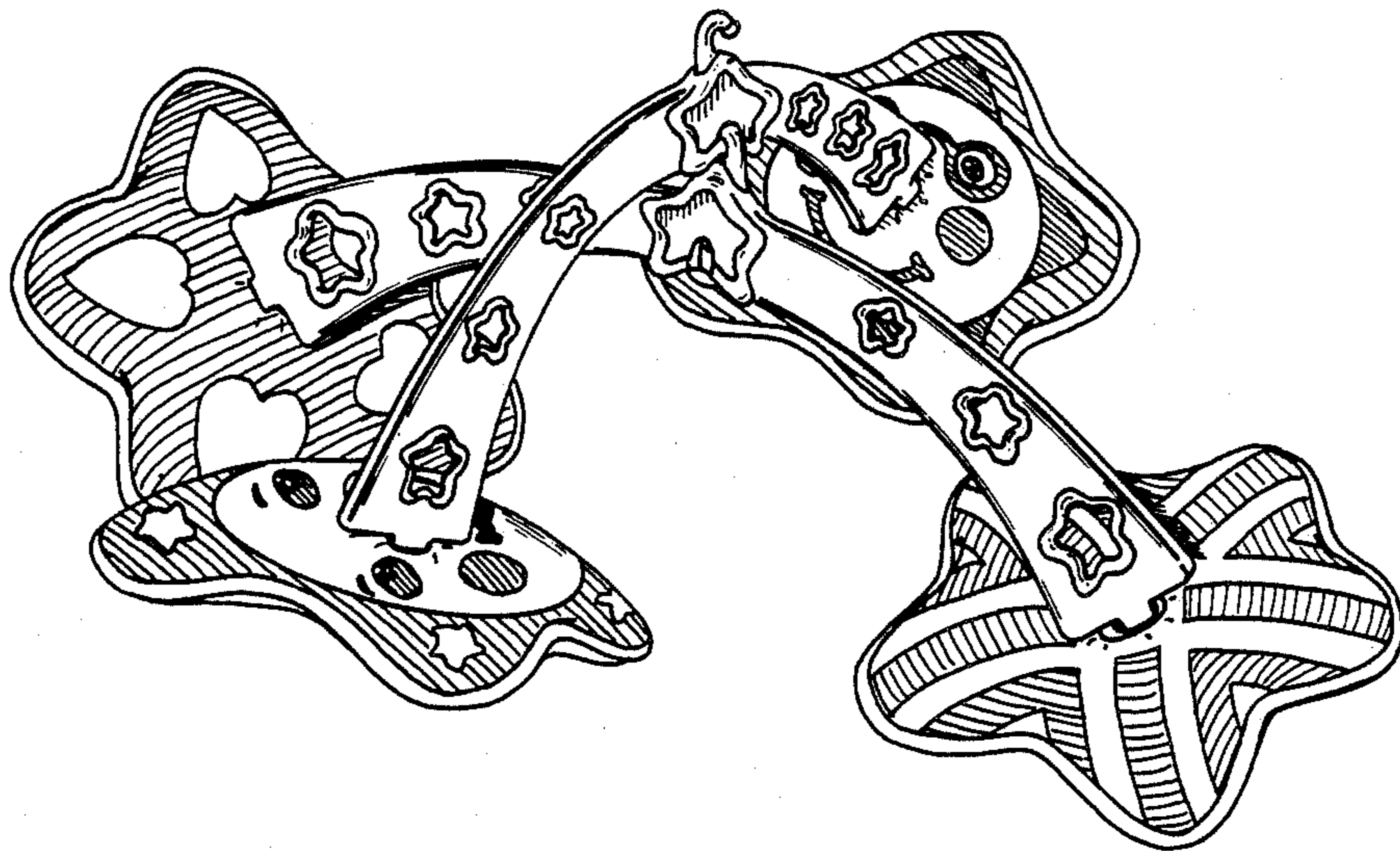


FIG-1

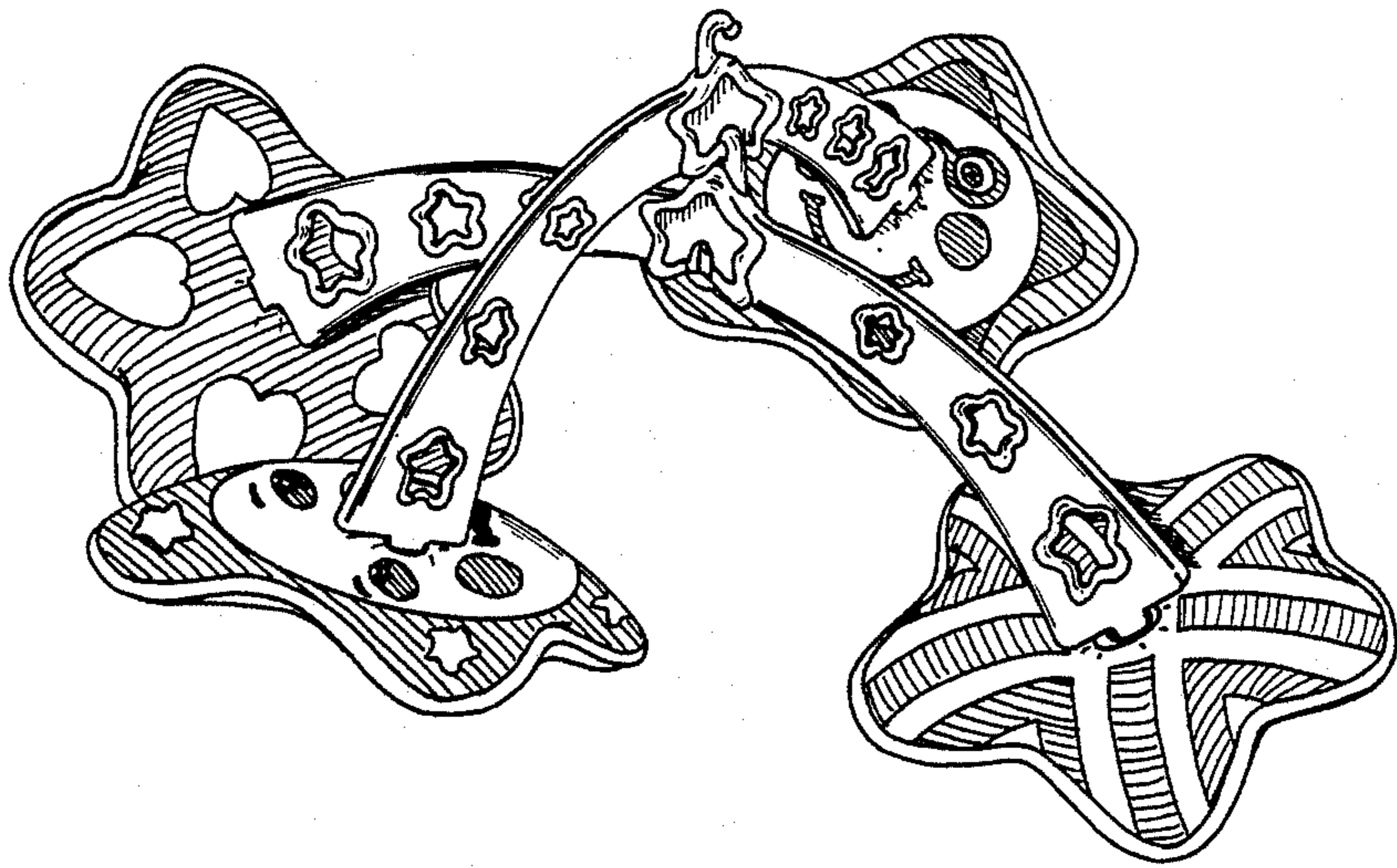


FIG-2

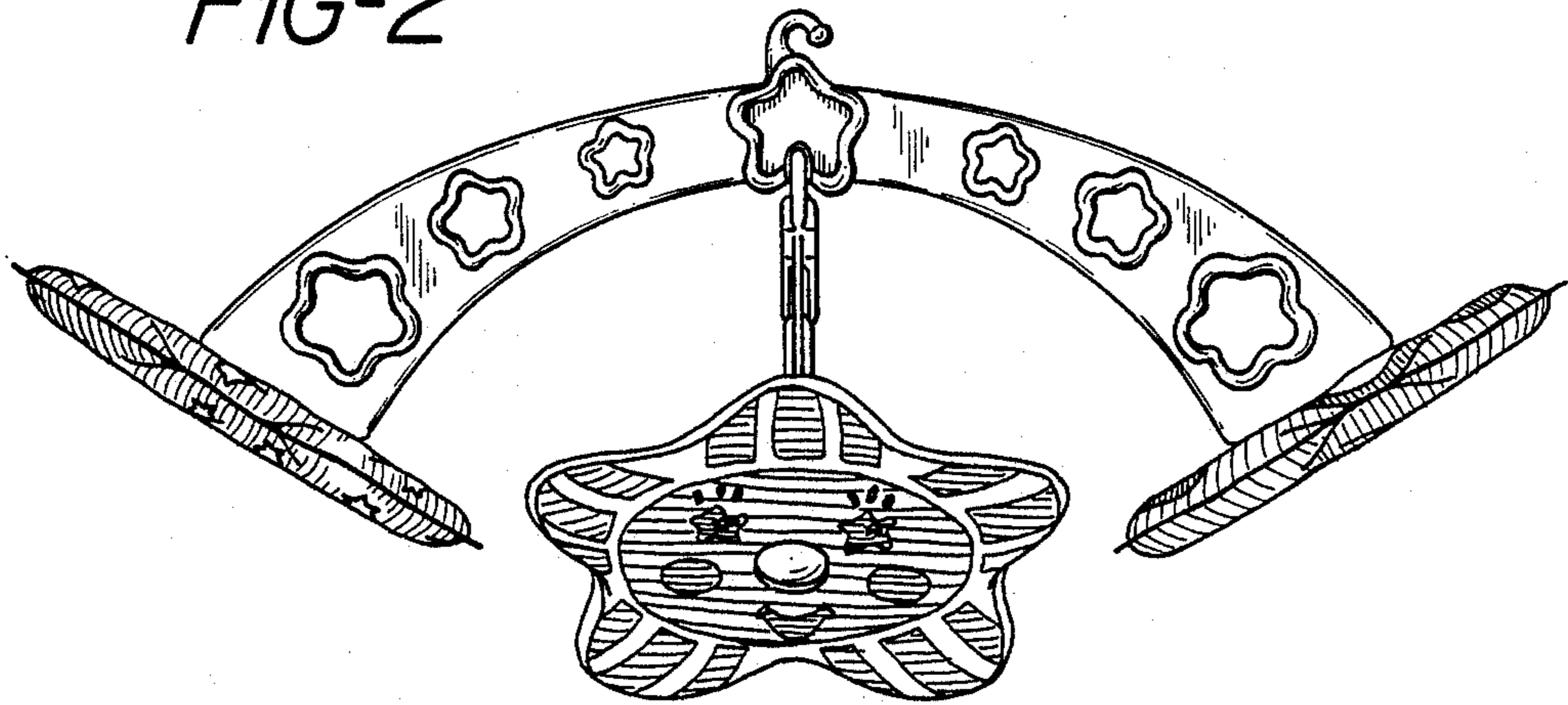


FIG-3

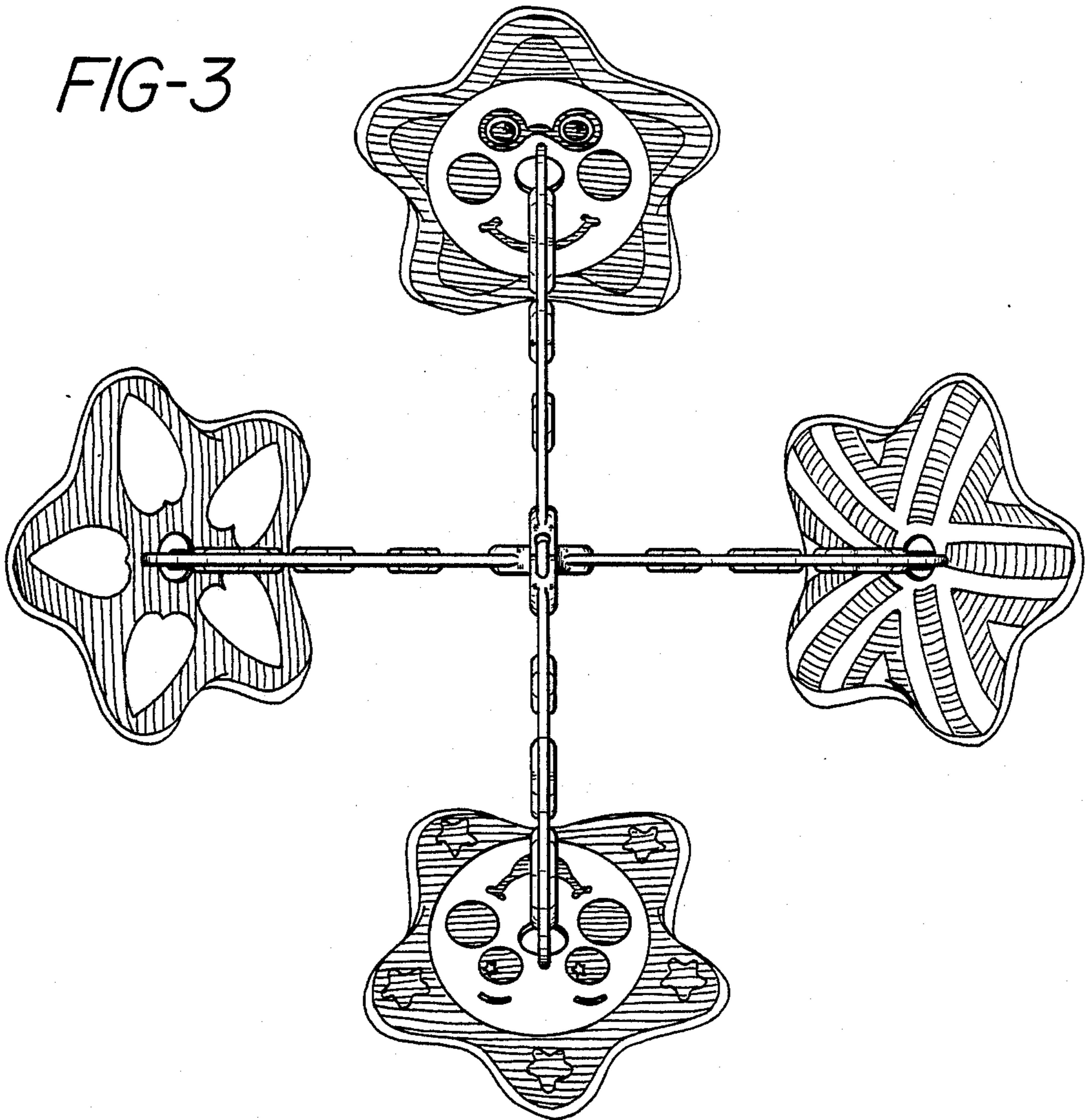


FIG-4

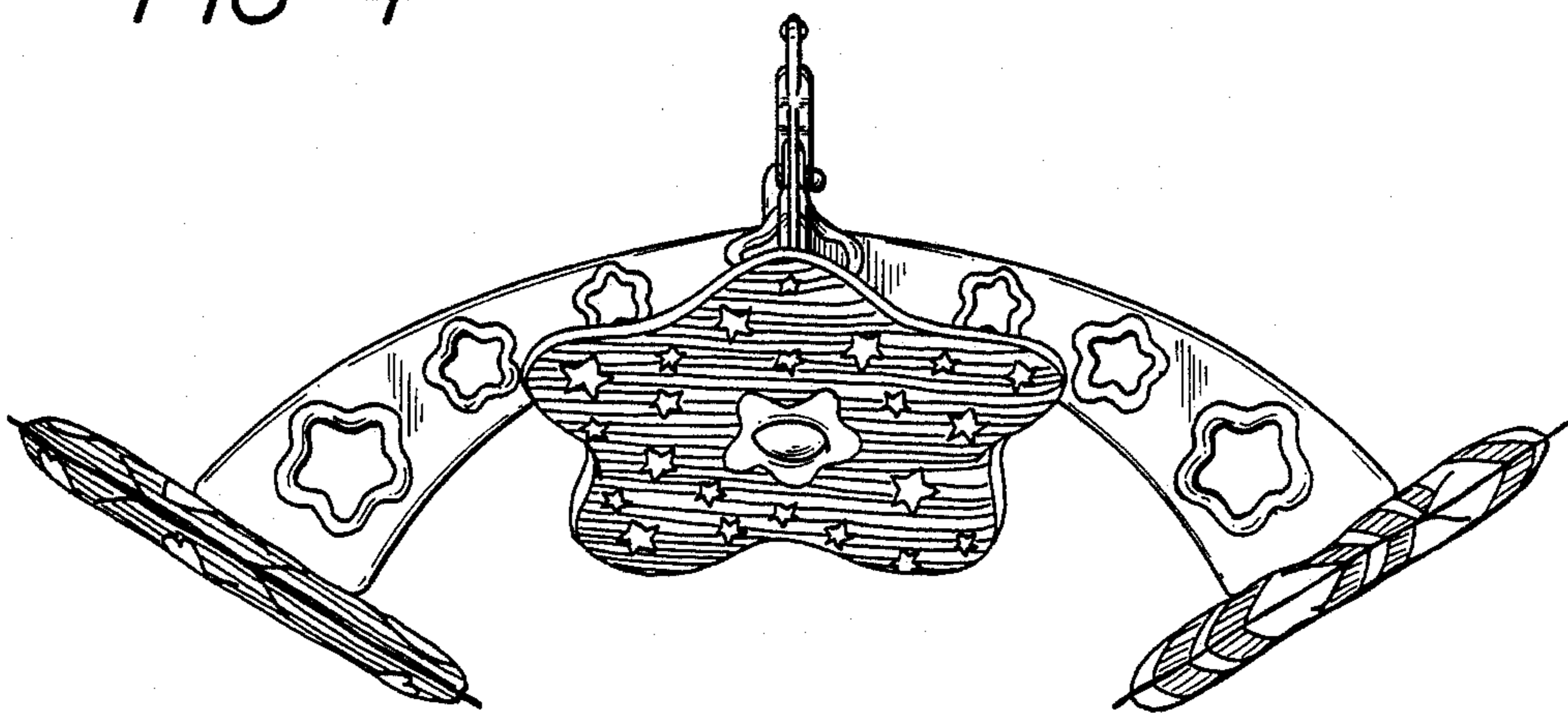


FIG-5

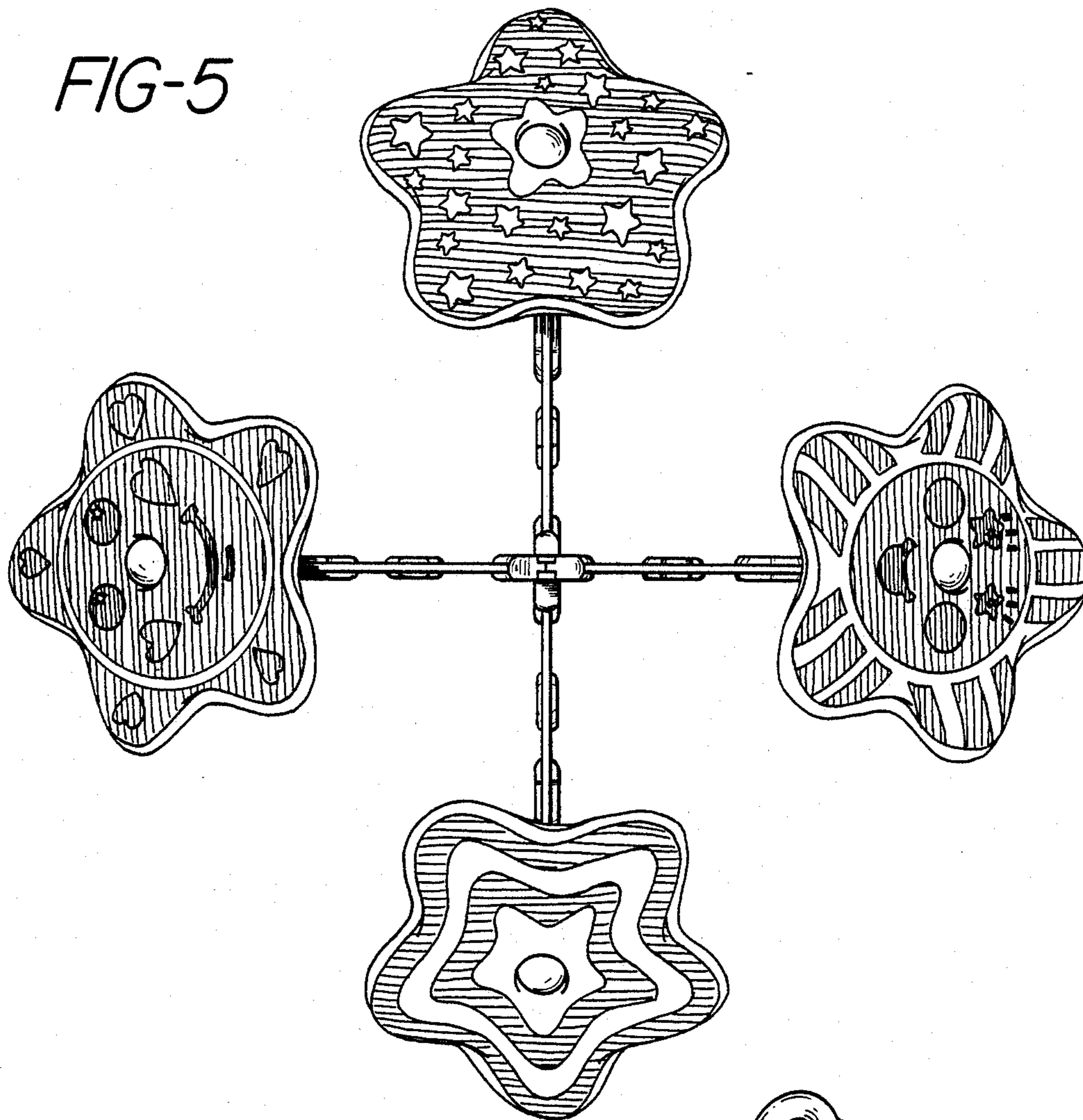


FIG-6

