

[54] MICROCOMPUTER FOR TESTING ELECTRONIC CIRCUITS

[75] Inventor: Trevor Thompson, Wallingford, England

[73] Assignee: Mars Incorporated, McLean, Va.

[**] Term: 14 Years

[21] Appl. No.: 780,839

[22] Filed: Sep. 27, 1985

[30] Foreign Application Priority Data

Mar. 29, 1985 [GB] United Kingdom 1025860

[52] U.S. Cl. D14/106; D10/75

[58] Field of Search D14/100, 106, 107, 114; 340/36 SR, 700, 711; 364/708, 578, 521, 550; D10/75

[56] References Cited

U.S. PATENT DOCUMENTS

- D. 273,370 4/1984 Eilert D14/106 X
- D. 275,756 10/1984 Stirling D14/106
- D. 275,954 10/1984 Gibson D14/106 X
- D. 276,232 11/1984 Dix et al. D14/106
- D. 288,323 2/1987 Ryan et al. D14/106

Primary Examiner—Susan J. Lucas

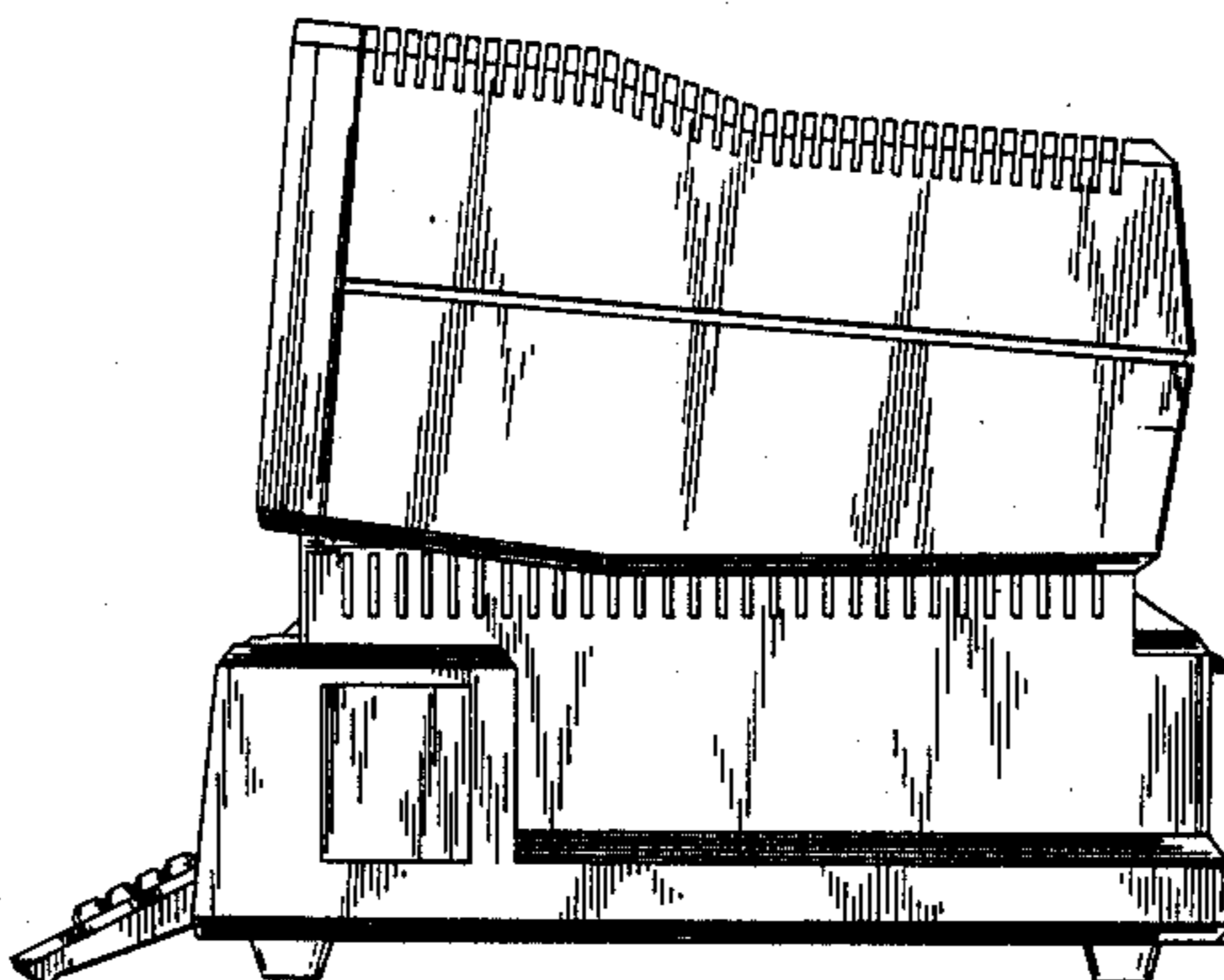
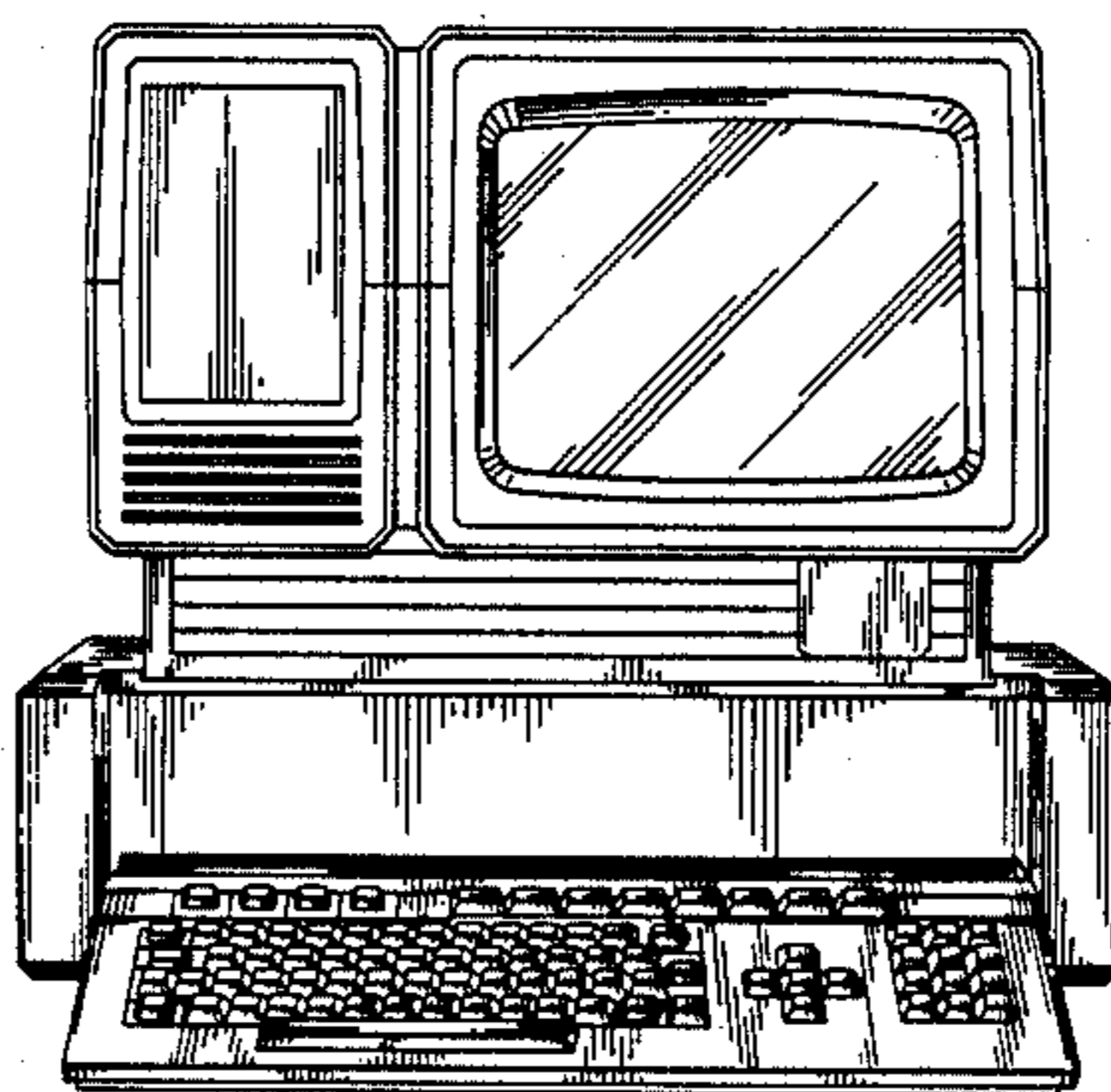
Attorney, Agent, or Firm—Davis Hoxie Faithfull & Hapgood

[57] CLAIM

The ornamental design for a microcomputer for testing electronic circuits, as shown and described.

DESCRIPTION

FIG. 1 is a front view of a microcomputer for testing electronic circuits showing my new design with the keyboard pivoted to its lowered position so that the pushbutton side of the keyboard is uppermost; FIG. 2 is a right hand side perspective view thereof; FIG. 3 is a left hand side perspective view thereof with the keyboard pivoted to its raised position; FIG. 4 is a rear perspective view thereof; FIG. 5 is an enlarged plan view of the pushbutton side of the keyboard, the microcomputer housing being omitted for convenience of illustration; FIG. 6 is an enlarged plan view of the opposite membrane switch side of the keyboard, the microcomputer housing being omitted for convenience of illustration; FIG. 7 is a top, front, right hand side perspective of the microcomputer of the present invention, with the keyboard pivoted to its raised position; and FIG. 8 is a top, front, right hand side perspective thereof with the keyboard pivoted to its lowered position.



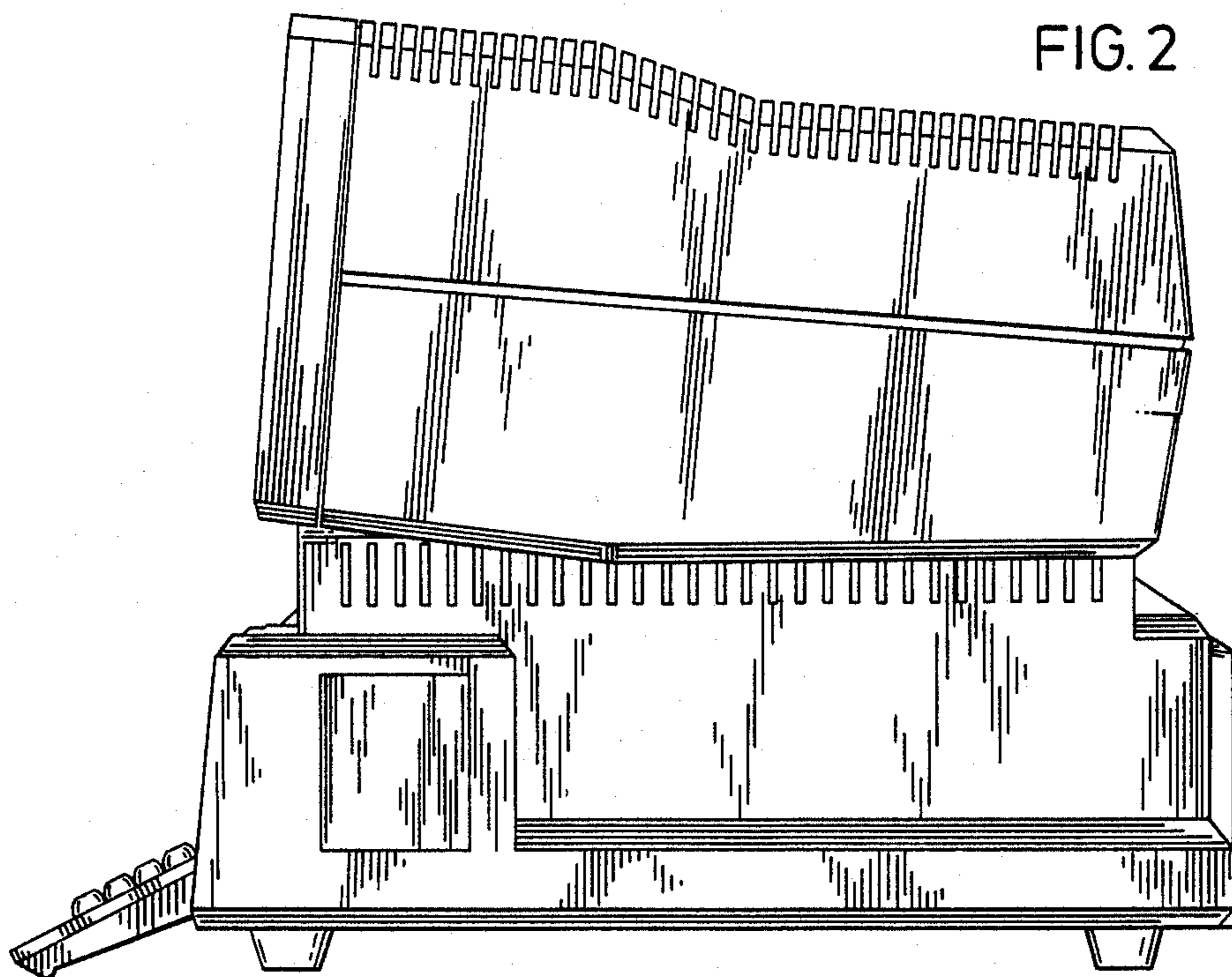
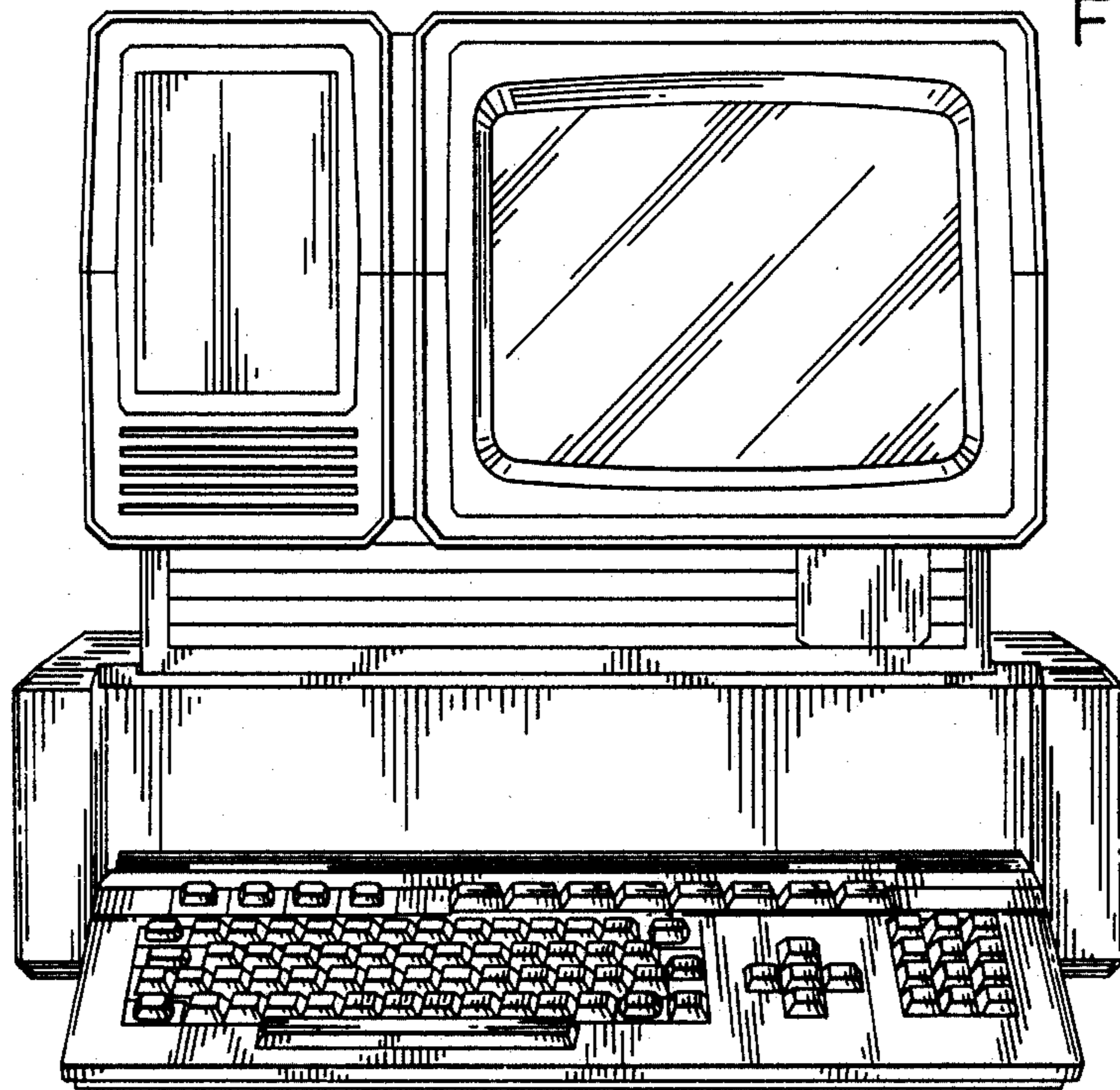


FIG. 3

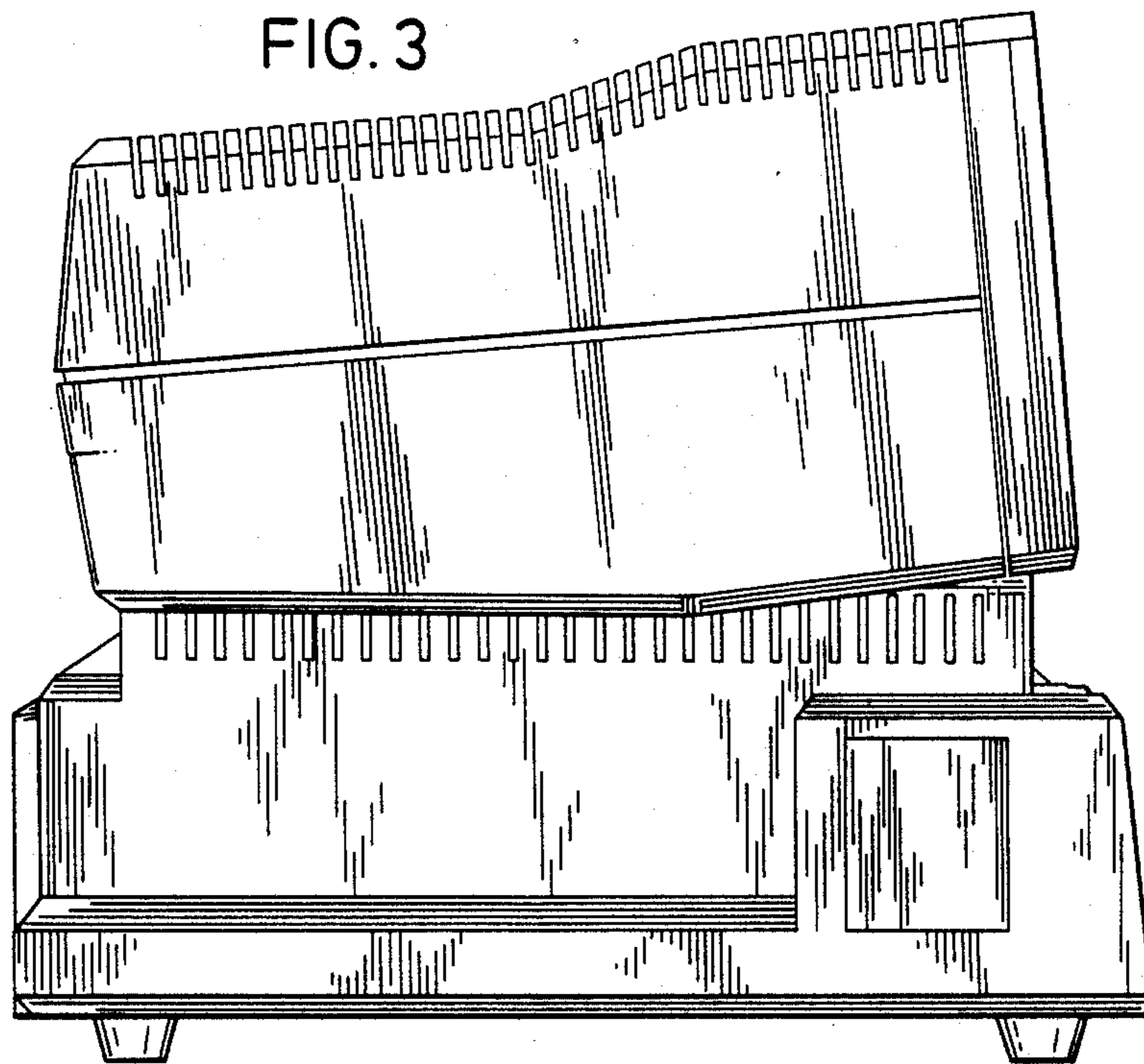


FIG. 4

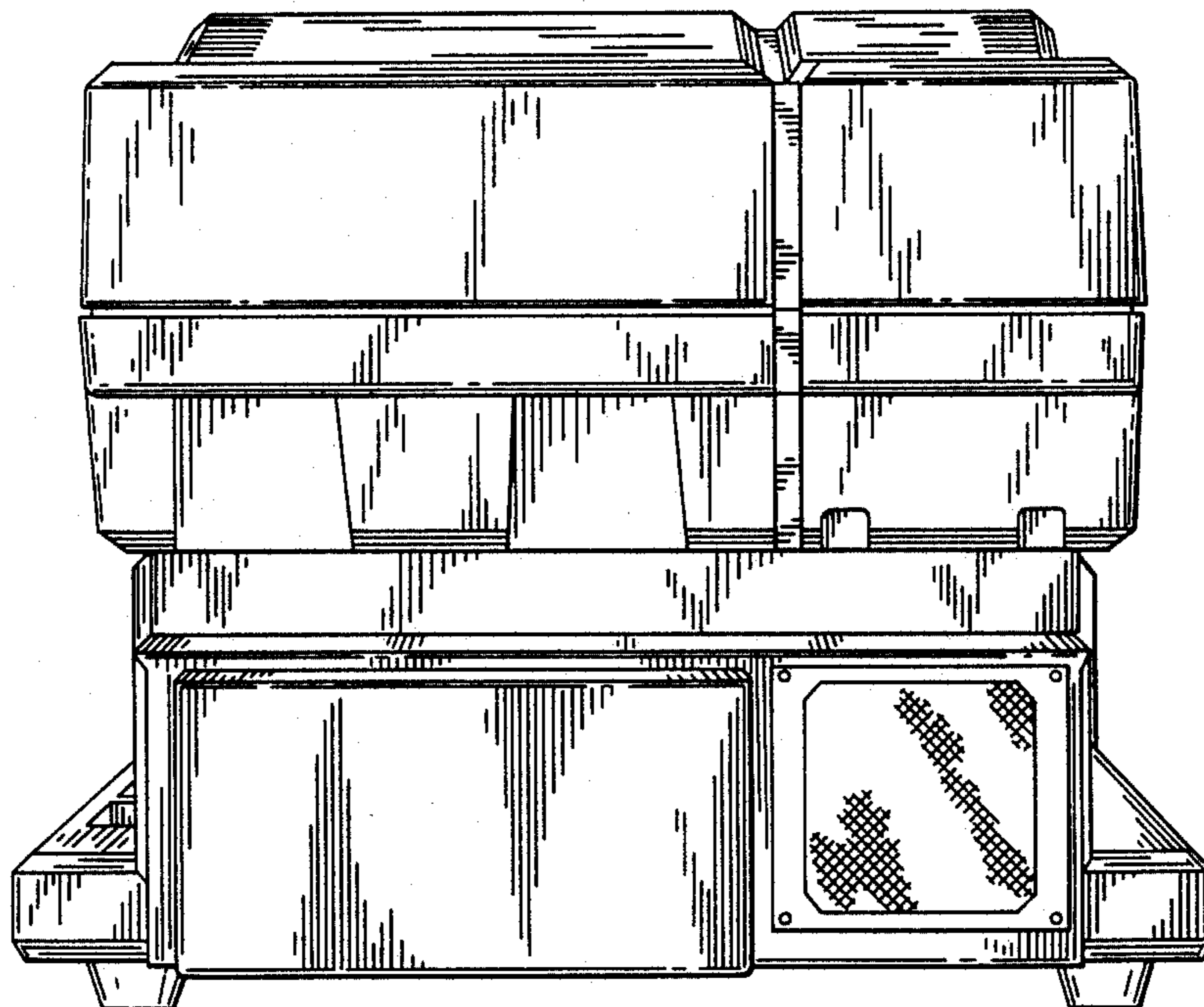


FIG. 5

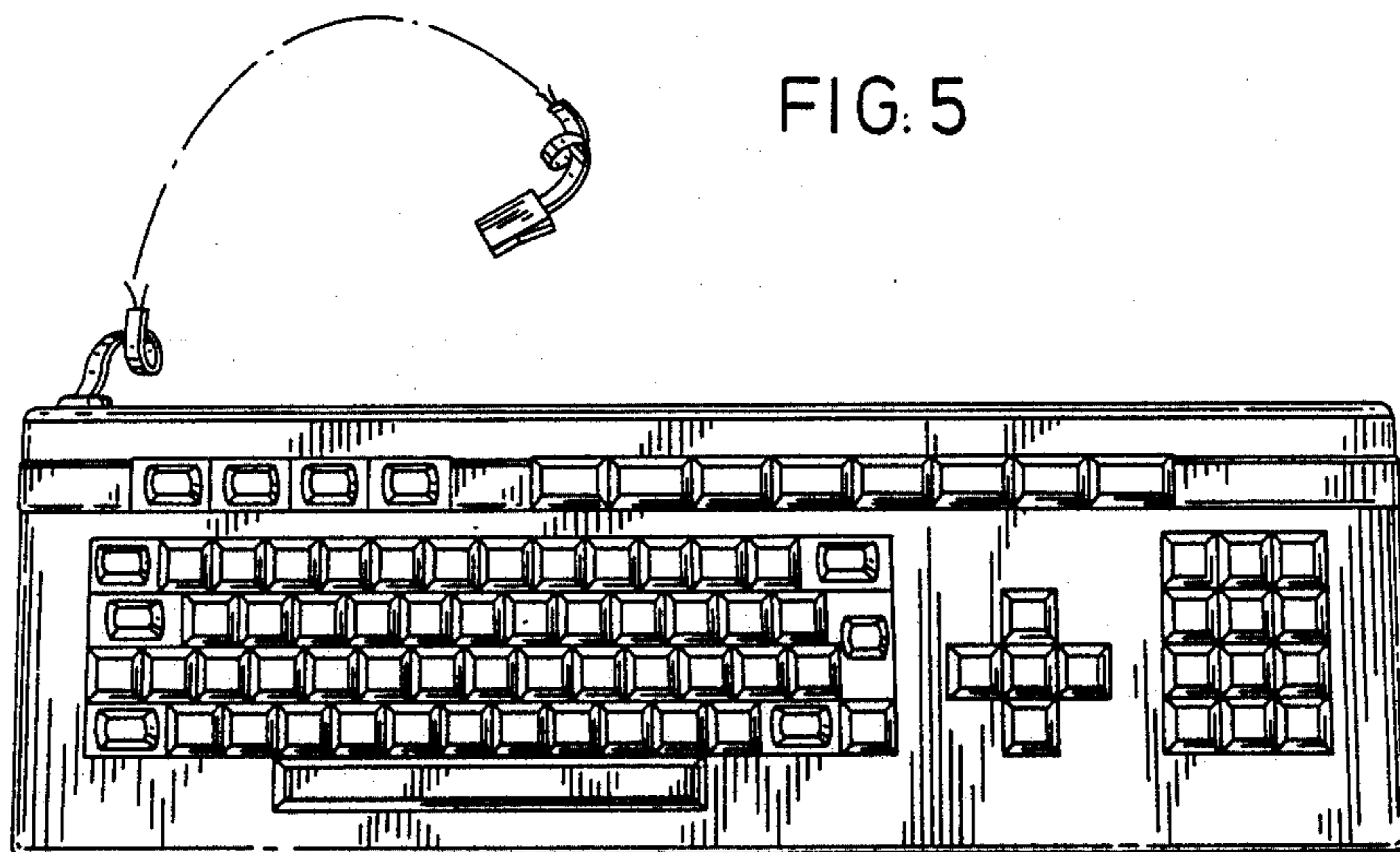
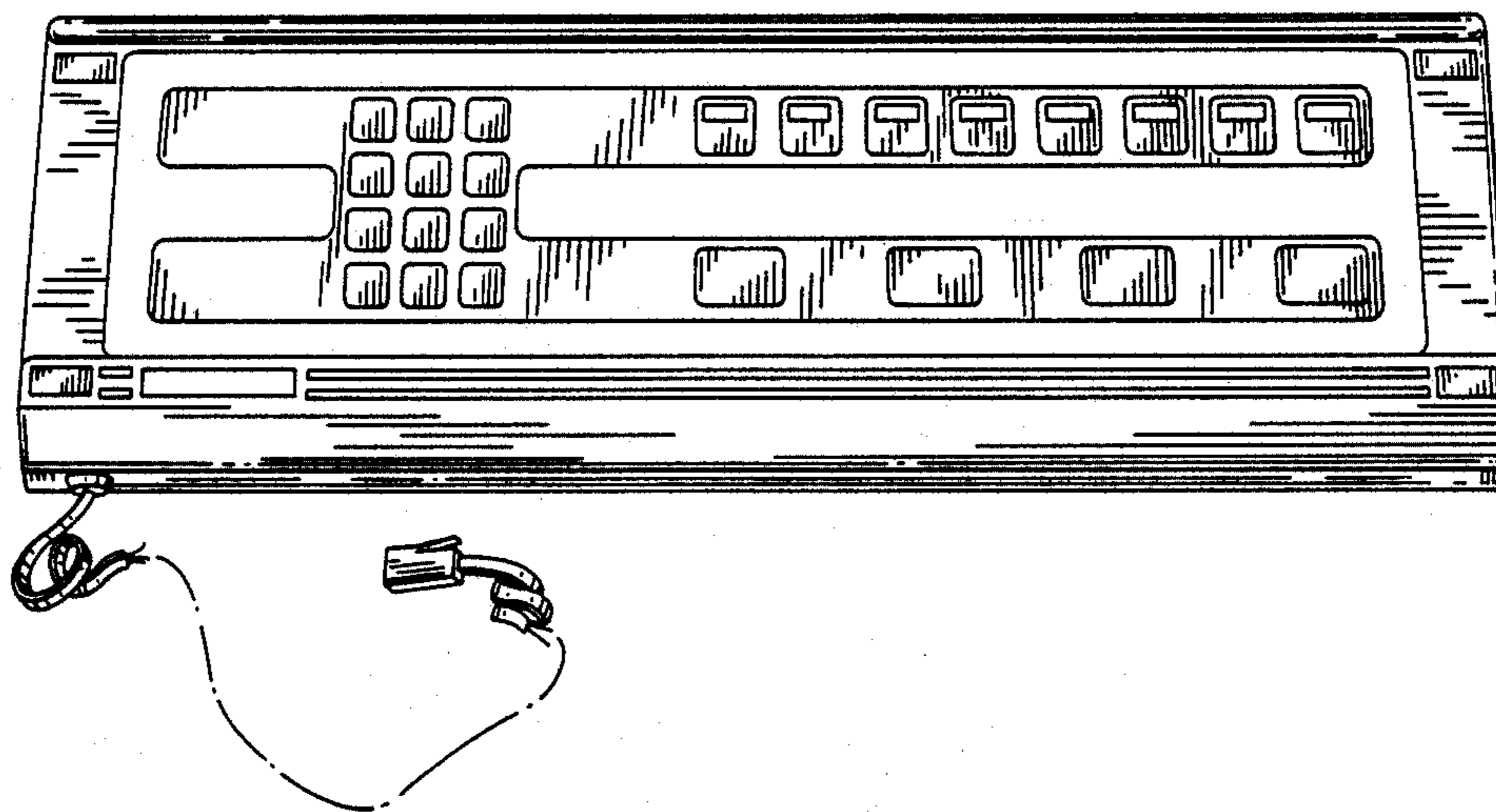


FIG. 6



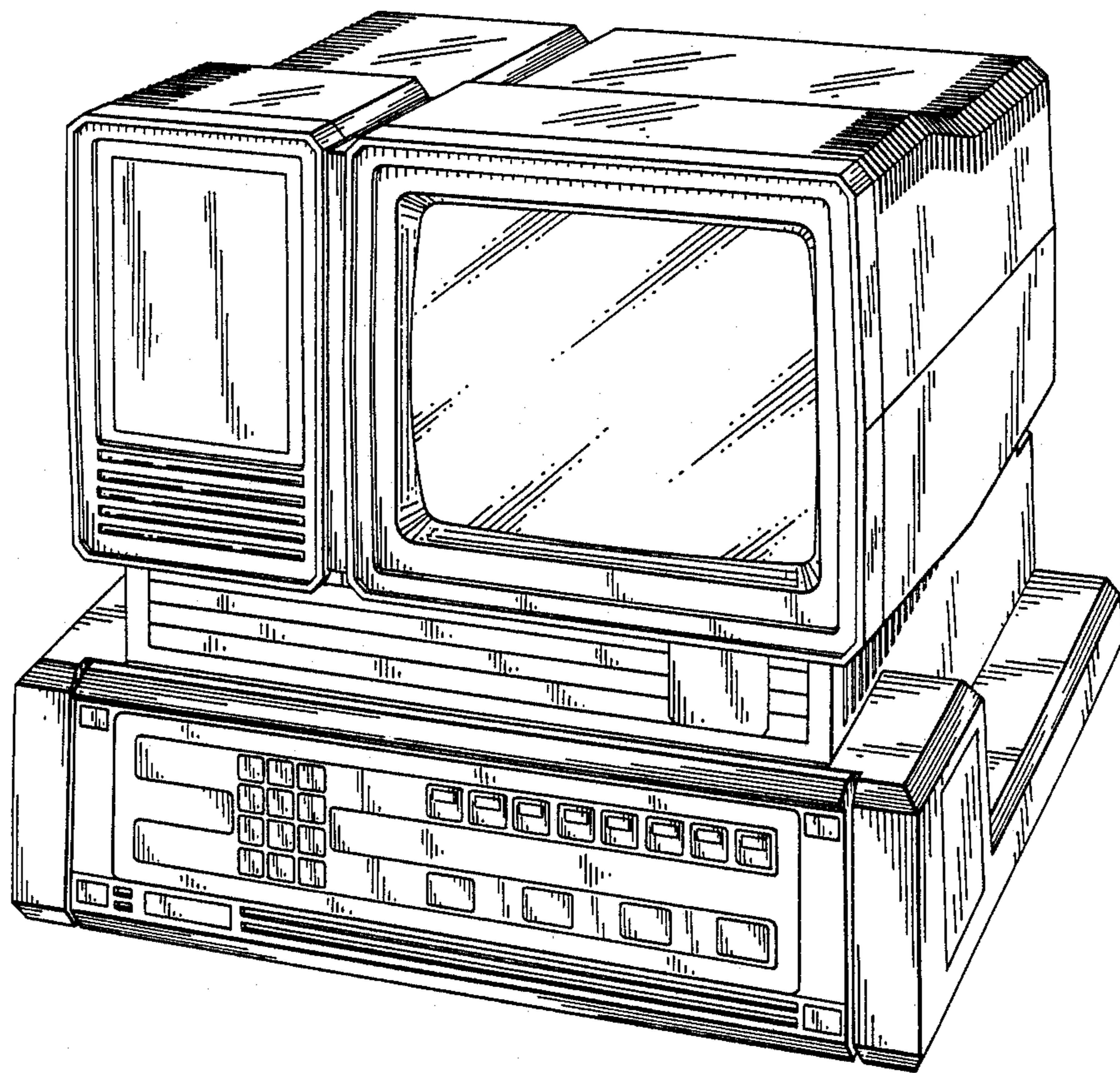


FIG. 7.

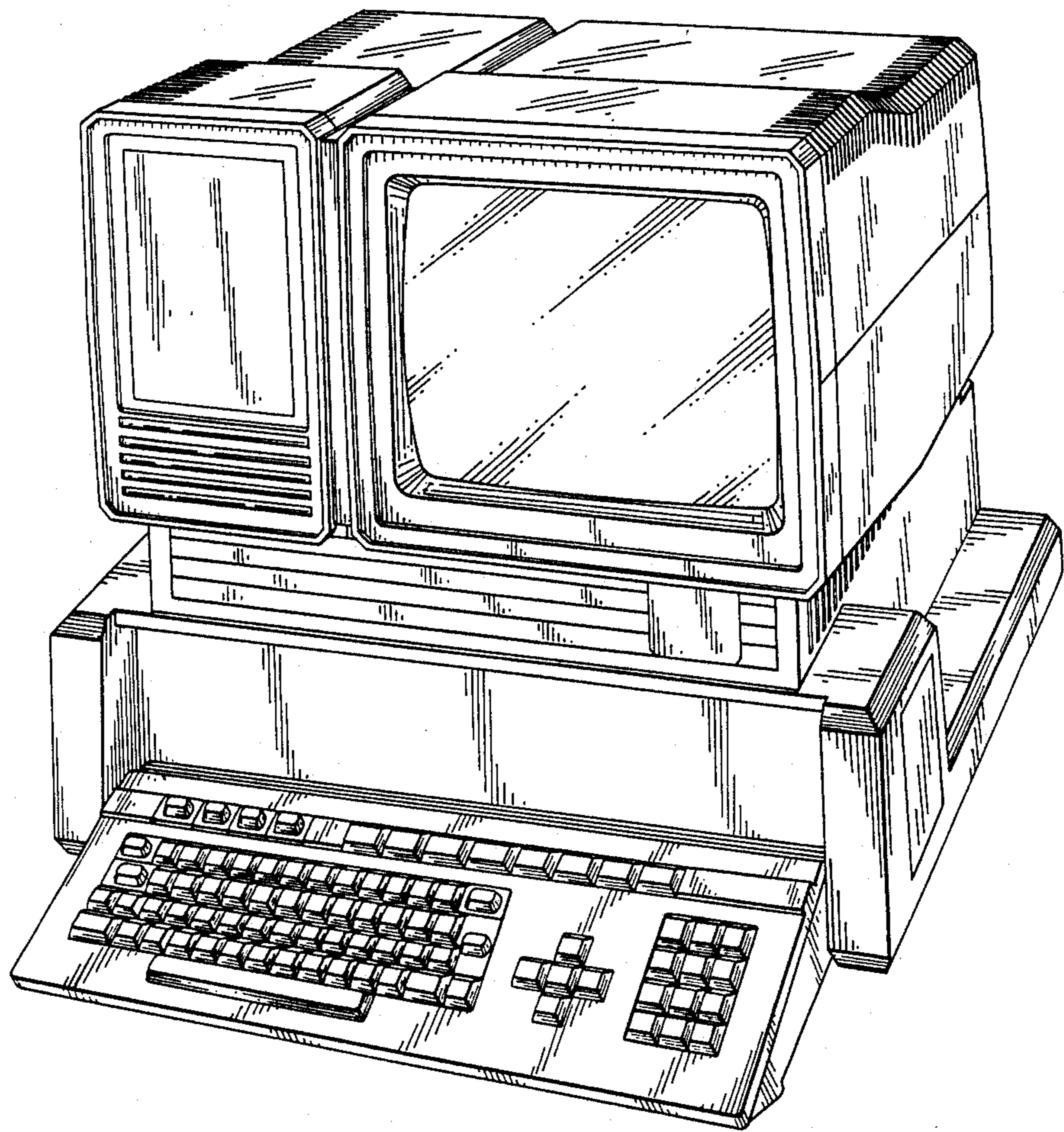


FIG. 8.