

# United States Patent [19]

Envall et al.

[11] Patent Number: **Des. 299,918**

[45] Date of Patent: **\*\* Feb. 21, 1989**

[54] **WHEEL**

[75] Inventors: **Björn E. A. Envall**, Vänersborg, Sweden; **Geoffrey P. Wardle**, Coundon Coventry, England

[73] Assignee: **Saab-Scania Aktiebolag**, Trollhattan, Sweden

[\*\*] Term: **14 Years**

[21] Appl. No.: **603,950**

[22] Filed: **Apr. 24, 1984**

[30] **Foreign Application Priority Data**

Oct. 26, 1983 [SE] Sweden ..... 83-2776

[52] U.S. Cl. .... **D12/209**

[58] Field of Search ..... D12/209-211;  
301/63 R, 64 R, 64 SD, 65

[56] **References Cited**

## U.S. PATENT DOCUMENTS

D. 219,966 2/1971 Halibrand ..... D12/209

D. 225,989 1/1973 Chadwick ..... D12/209  
D. 256,795 9/1980 Blanchard ..... D12/209  
D. 259,342 5/1981 Envall et al. .... D12/209  
D. 279,093 6/1985 Reid ..... D12/211

## OTHER PUBLICATIONS

1979 Ford Mustang brochure, p. 4, Wheel, bottom right side of page.

Tire Review, 2/77, p. 9, Tri Spoke Wheel, lower right side of page.

*Primary Examiner*—James M. Gandy

*Attorney, Agent, or Firm*—Young & Thompson

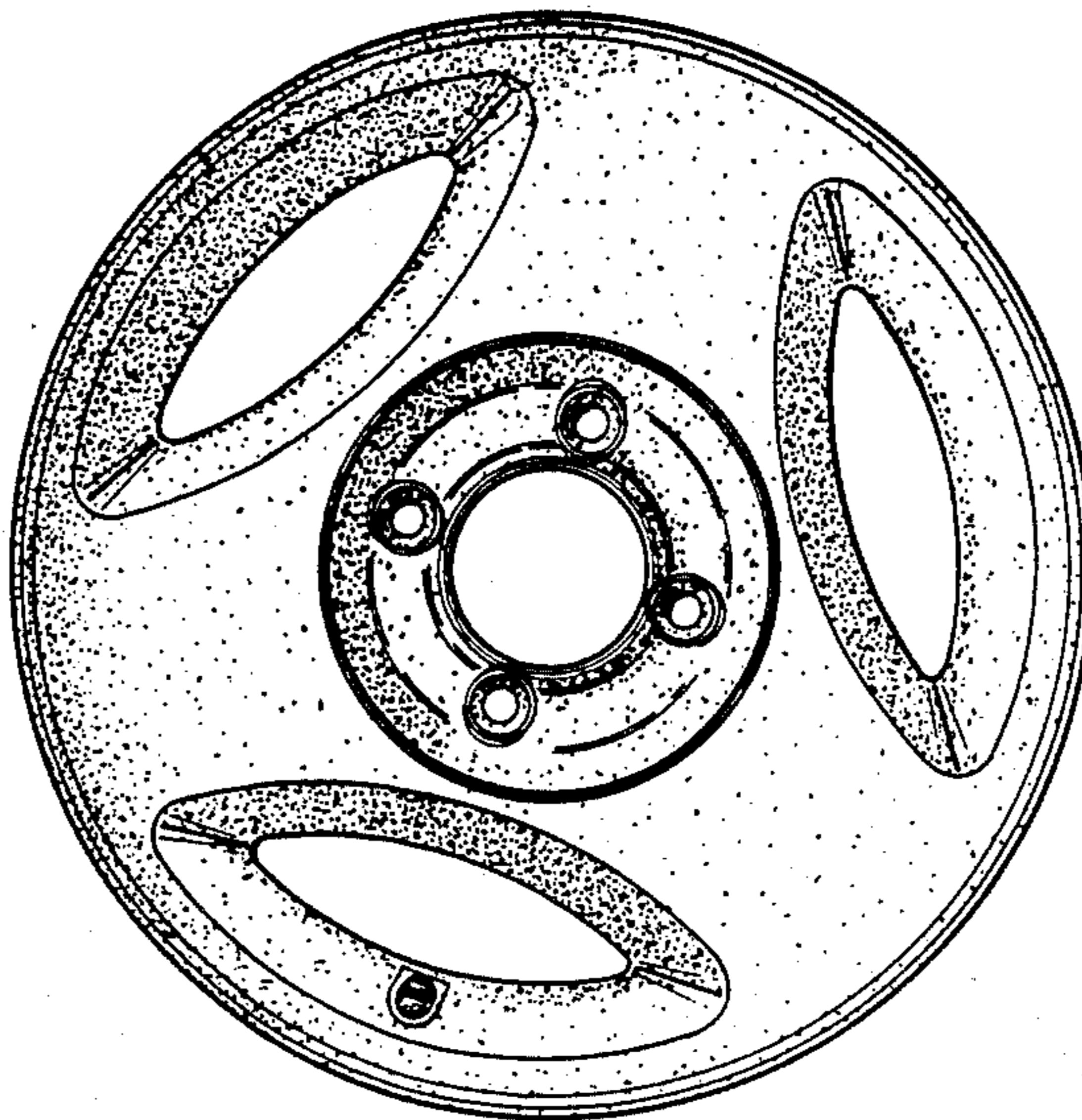
[57] **CLAIM**

The ornamental design for a wheel, as shown and described.

## DESCRIPTION

FIG. 1 is a rear and side perspective view of a wheel showing our new design;

FIG. 2 is a front and side perspective view thereof; and FIG. 3 is a front elevational view thereof.



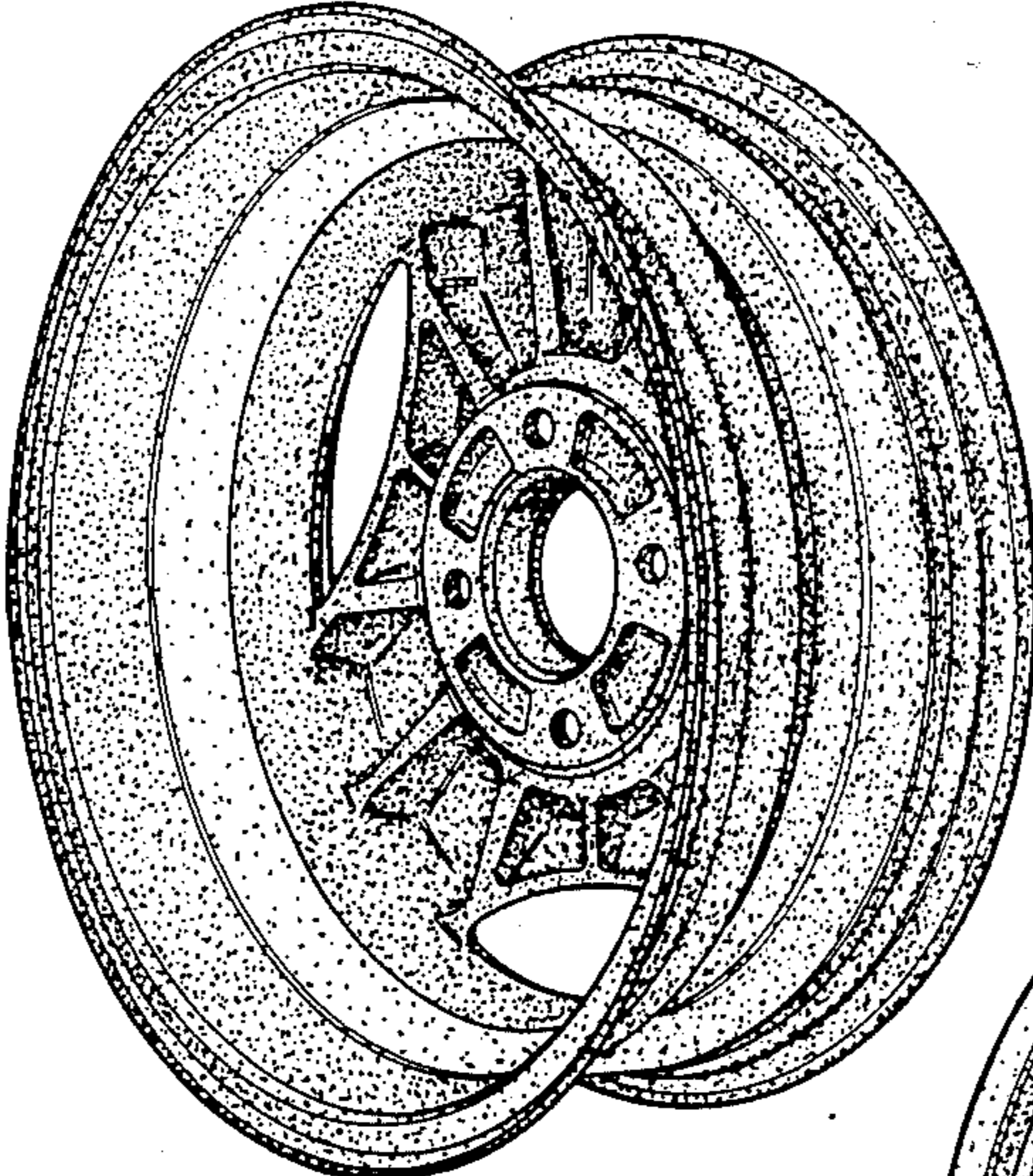


FIG. 1

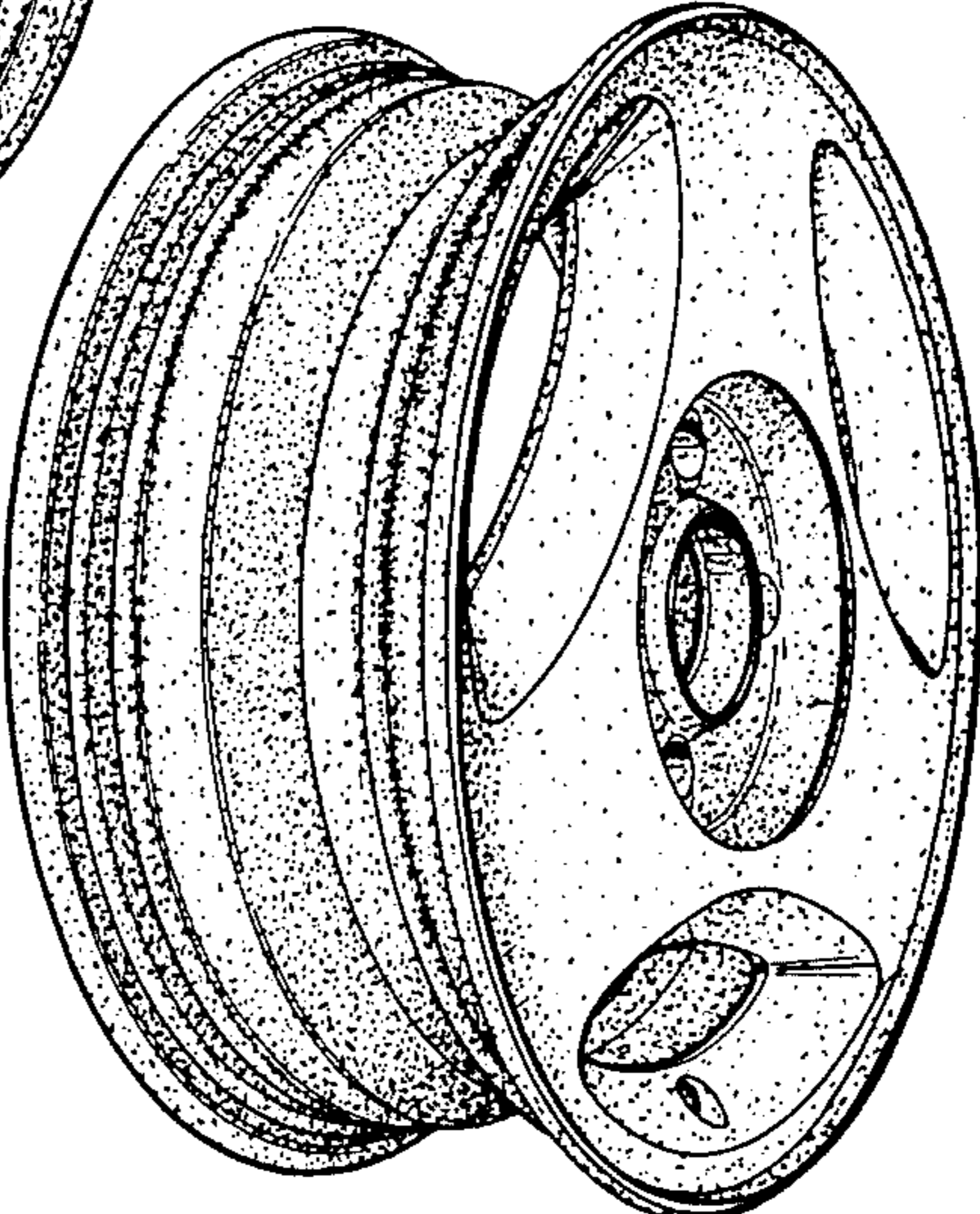


FIG. 2

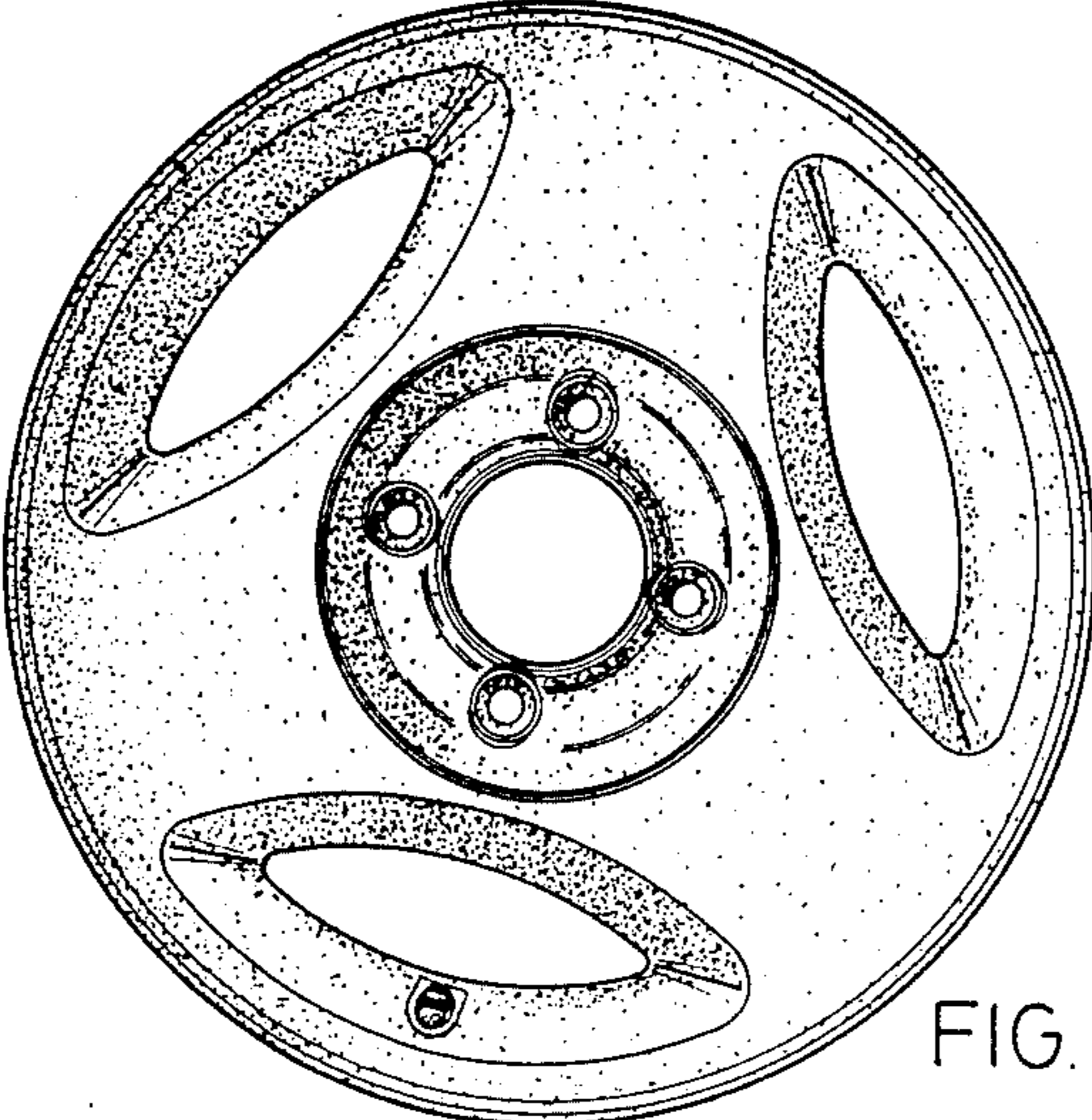


FIG. 3