

[54] WETBIKE MUFFLER PIPE

[76] Inventor: Christopher L. Lessel, 15205 Raymer St., Van Nuys, Calif. 91405

[**] Term: 14 Years

[21] Appl. No.: 884,576

[22] Filed: Jul. 11, 1986

[52] U.S. Cl. D12/194

[58] Field of Search D12/194, 307, 317; 181/227, 235

[56] References Cited

U.S. PATENT DOCUMENTS

D. 278,326 4/1985 Equi D12/194

OTHER PUBLICATIONS

J. C. Whitney Motorcycle Parts & Accessories catalog,

No. 38 C, p. 23, Exhaust Expansion Chambers for Kawasaki 500 cc and 750 cc Triples, bottom of page.

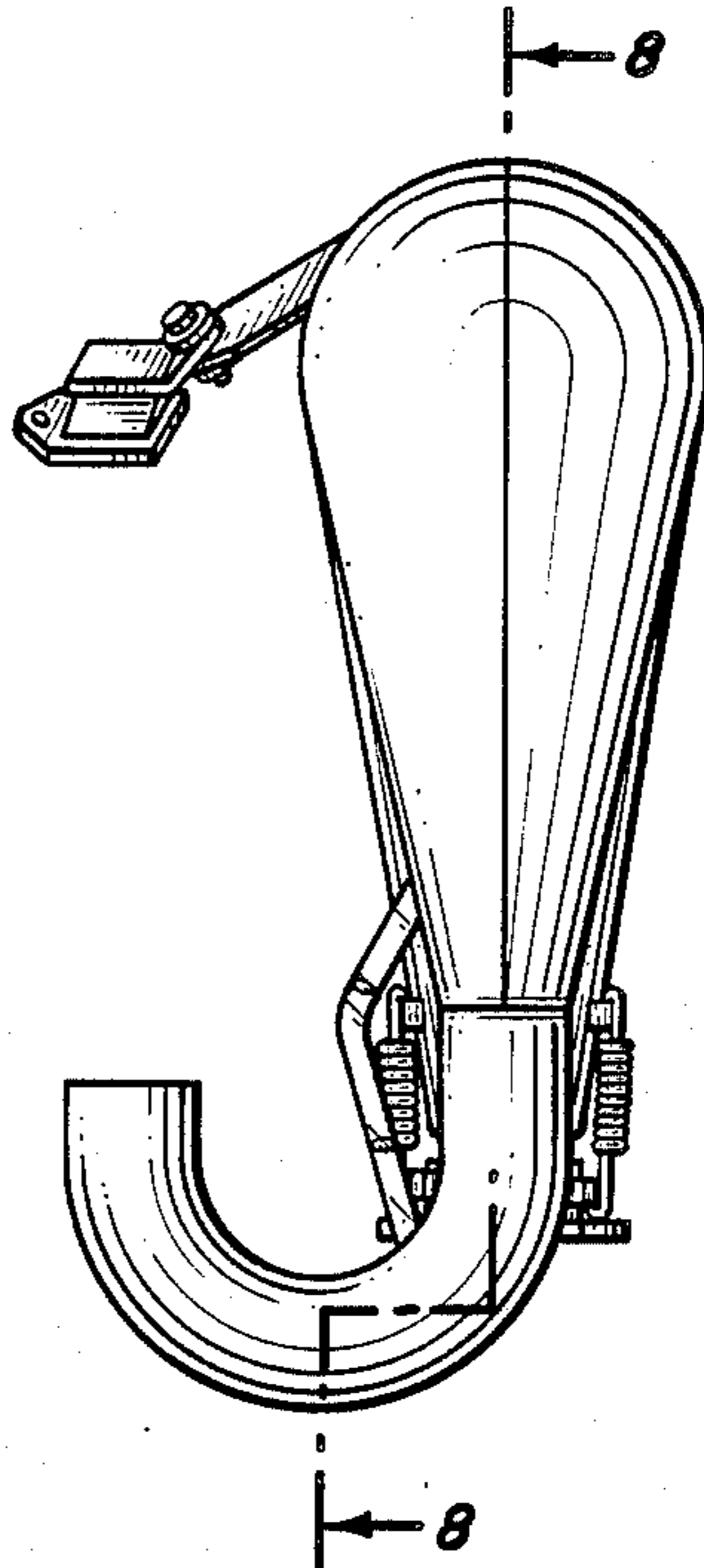
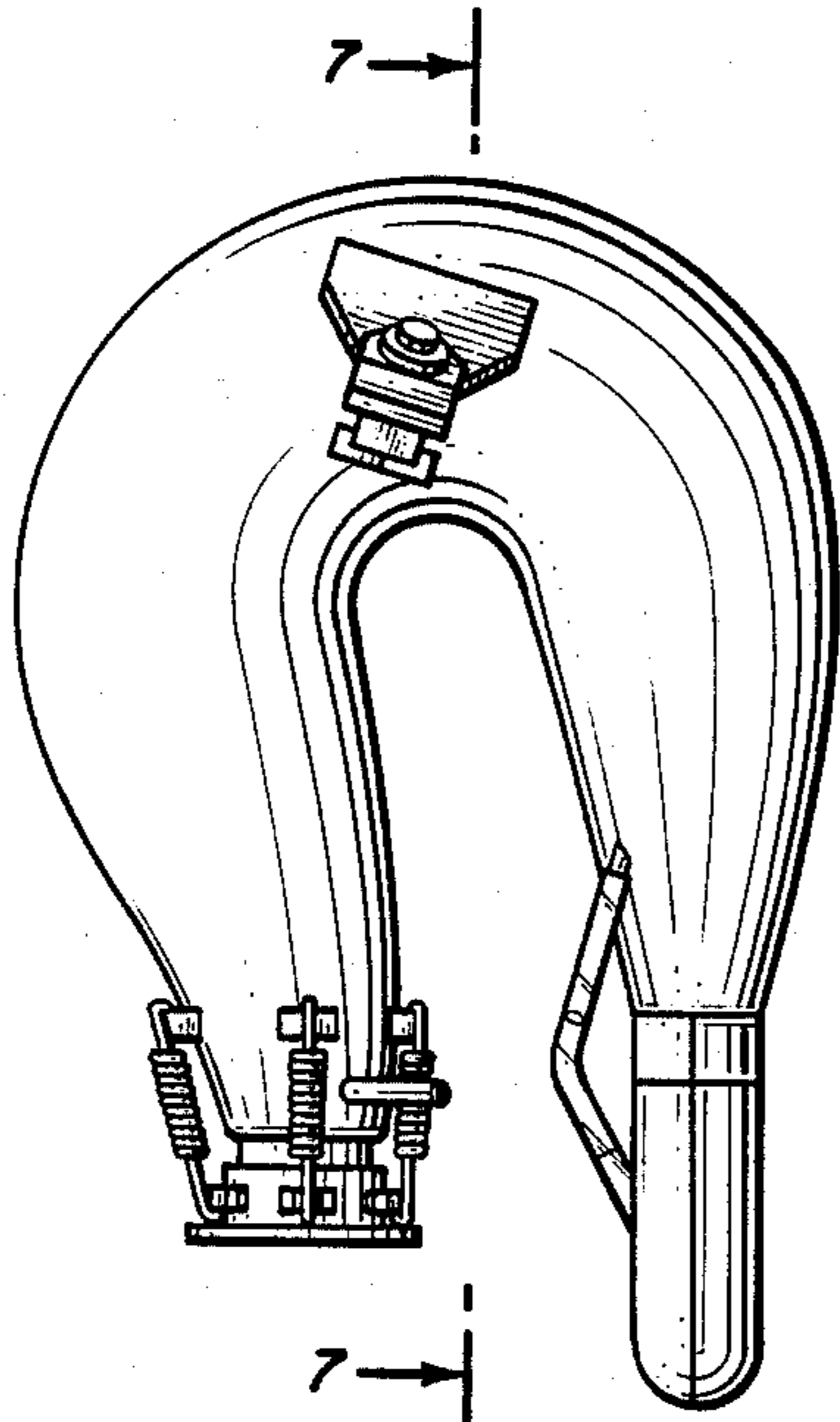
Primary Examiner—James M. Gandy
Attorney, Agent, or Firm—Richard D. Slehofer

[57] CLAIM

The ornamental design for a wetbike muffler pipe, as shown.

DESCRIPTION

FIG. 1 is a front-elevational view of a wetbike muffler pipe showing my new design; FIG. 2 is a right-side elevational view; FIG. 3 is a top-plan view; FIG. 4 is a bottom-plan view; FIG. 5 is a left side-elevational view; FIG. 6 is a rear-elevational view; FIG. 7 is a vertical cross-sectional view taken on line 7—7 of FIG. 1 for clarity; and FIG. 8 is a vertical cross-sectional view taken on line 8—8 of FIG. 2 for clarity.



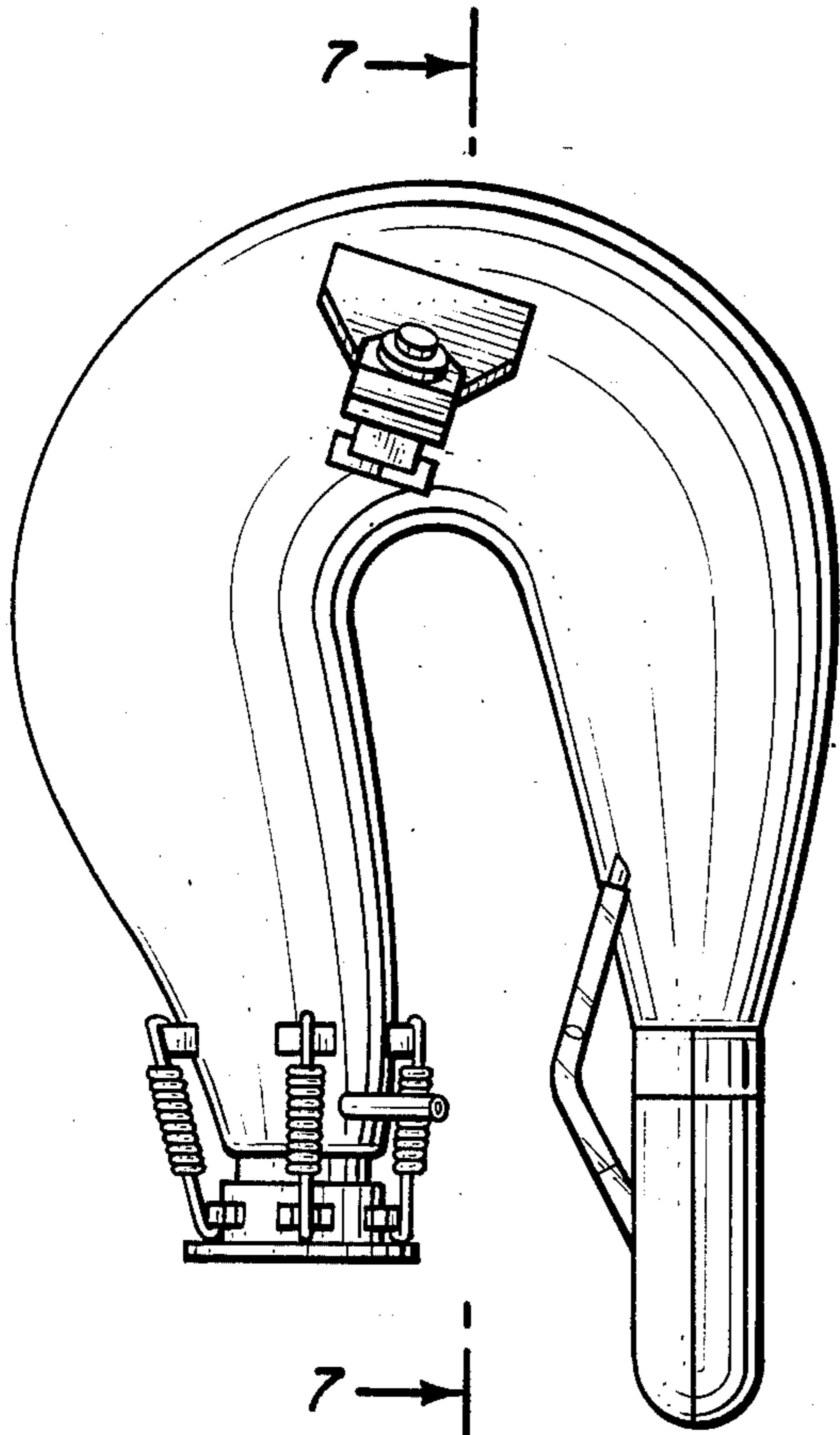


Fig. 1.

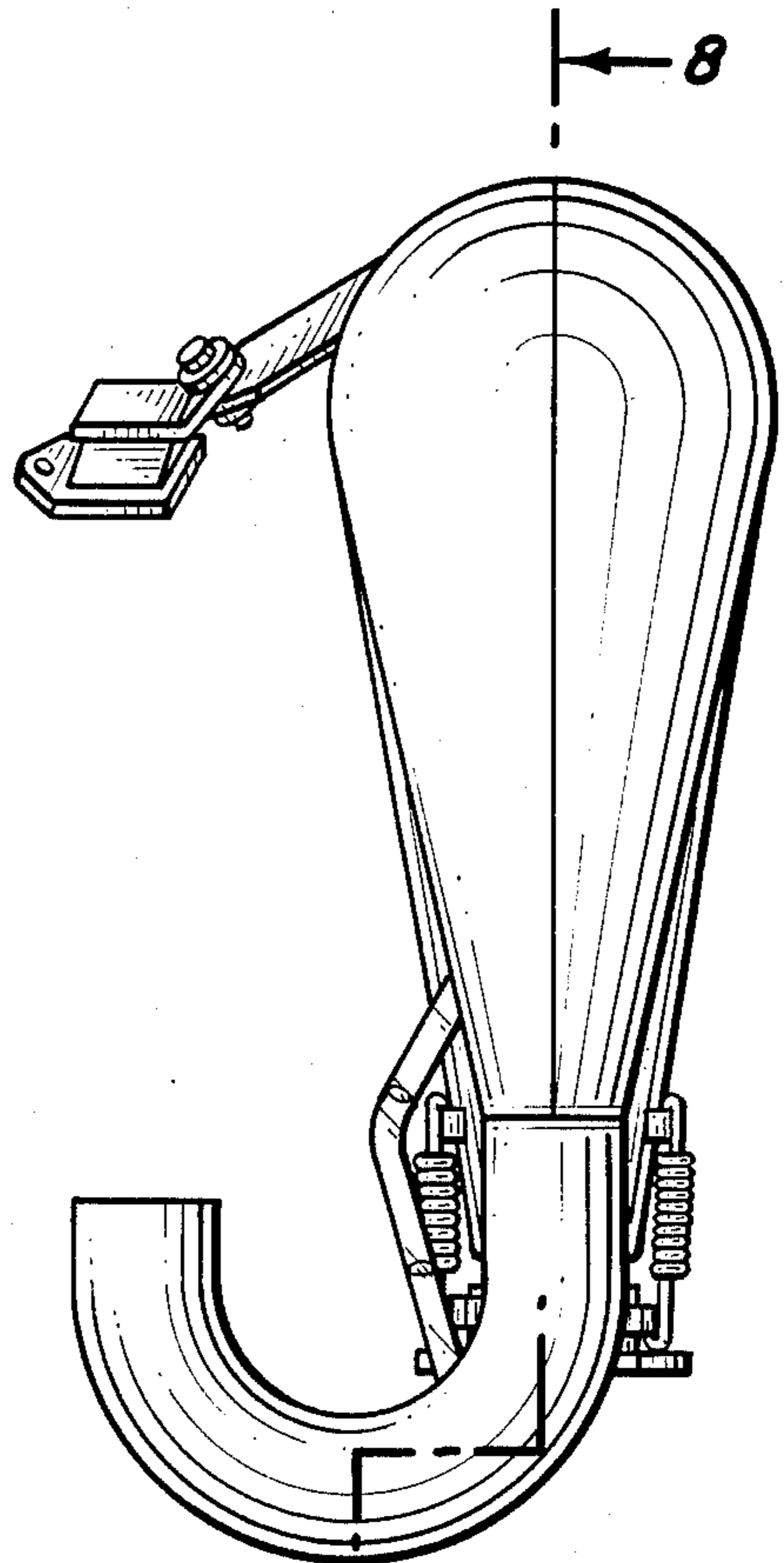


Fig. 2.

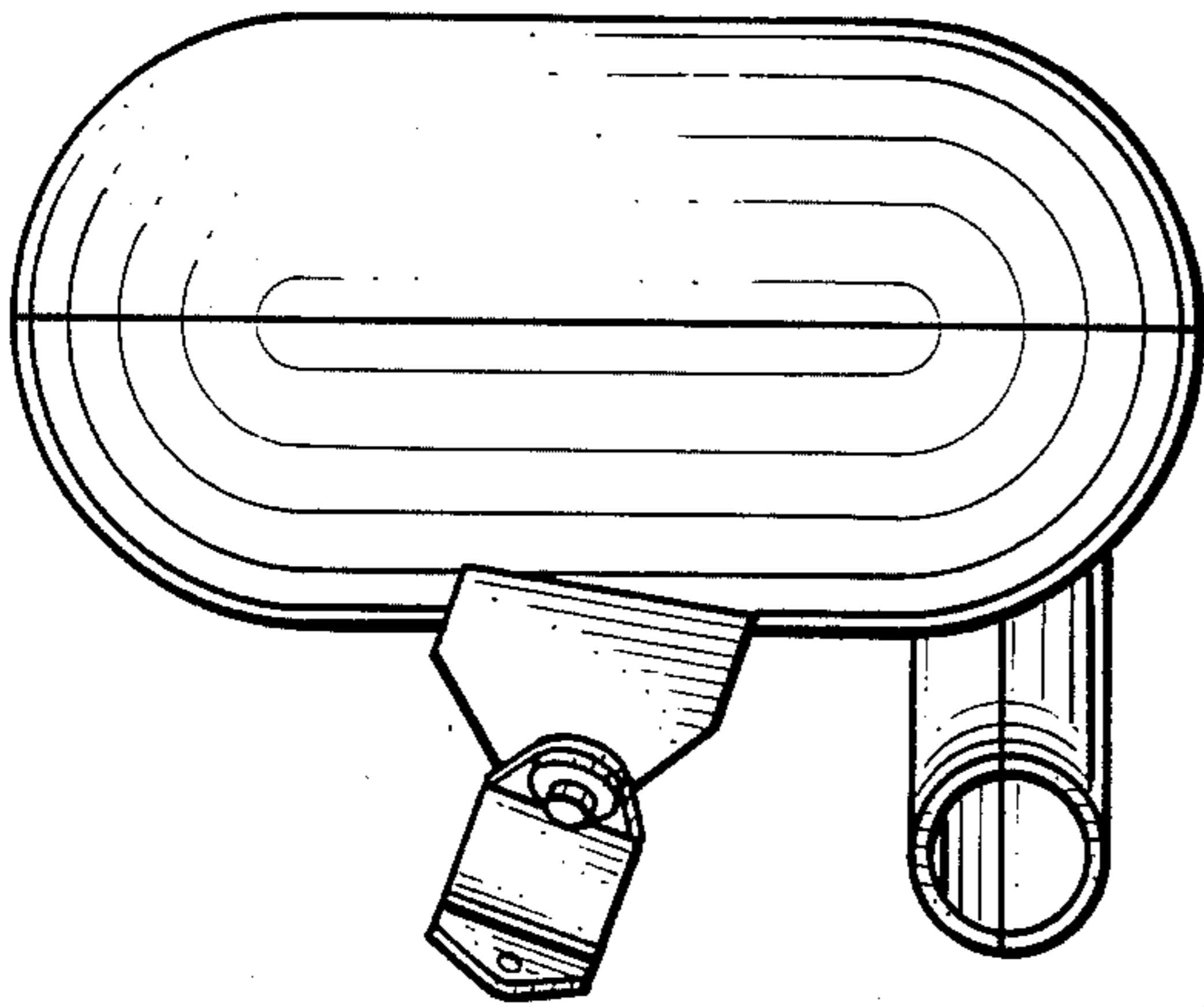


Fig. 3.

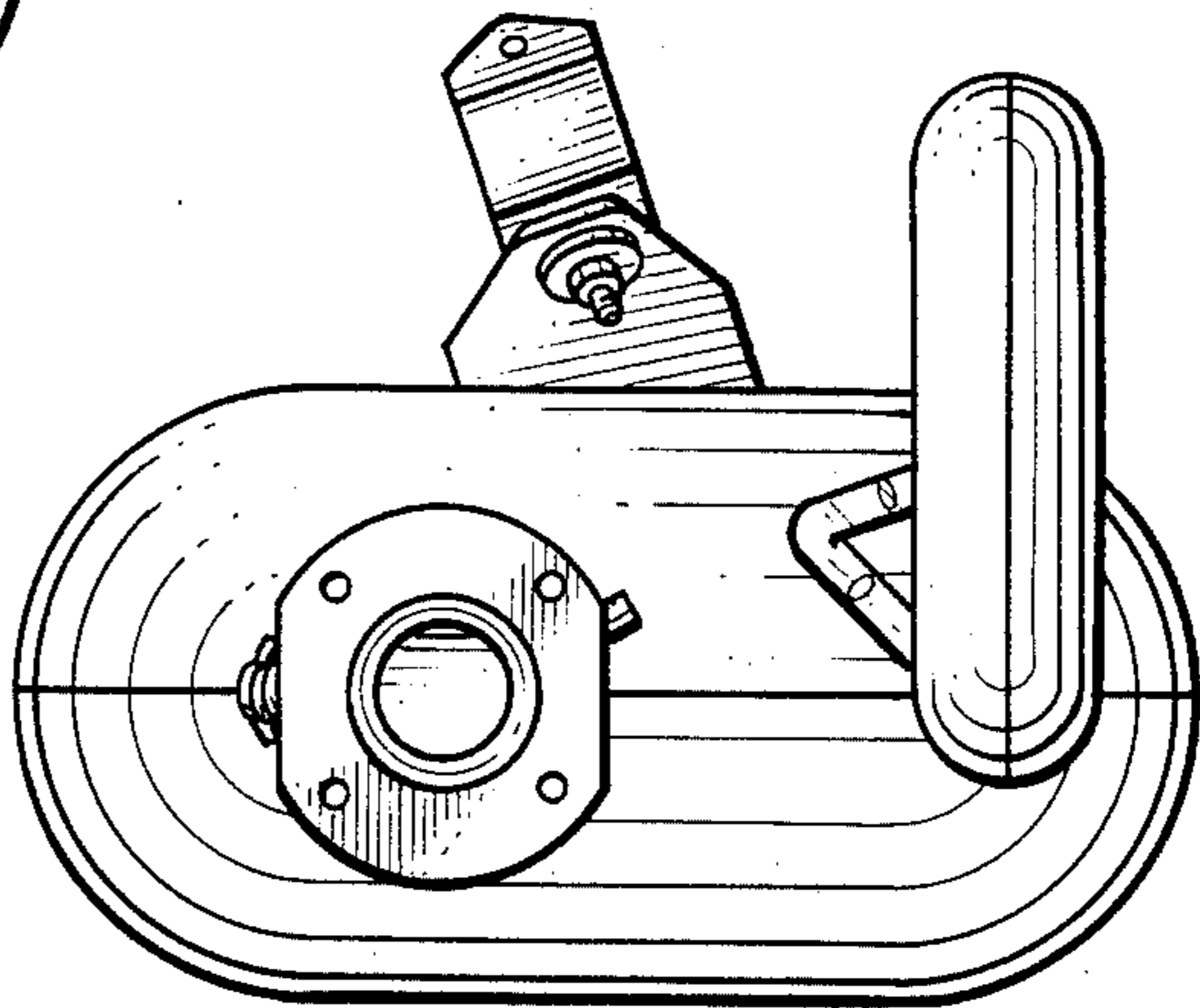


Fig. 4.

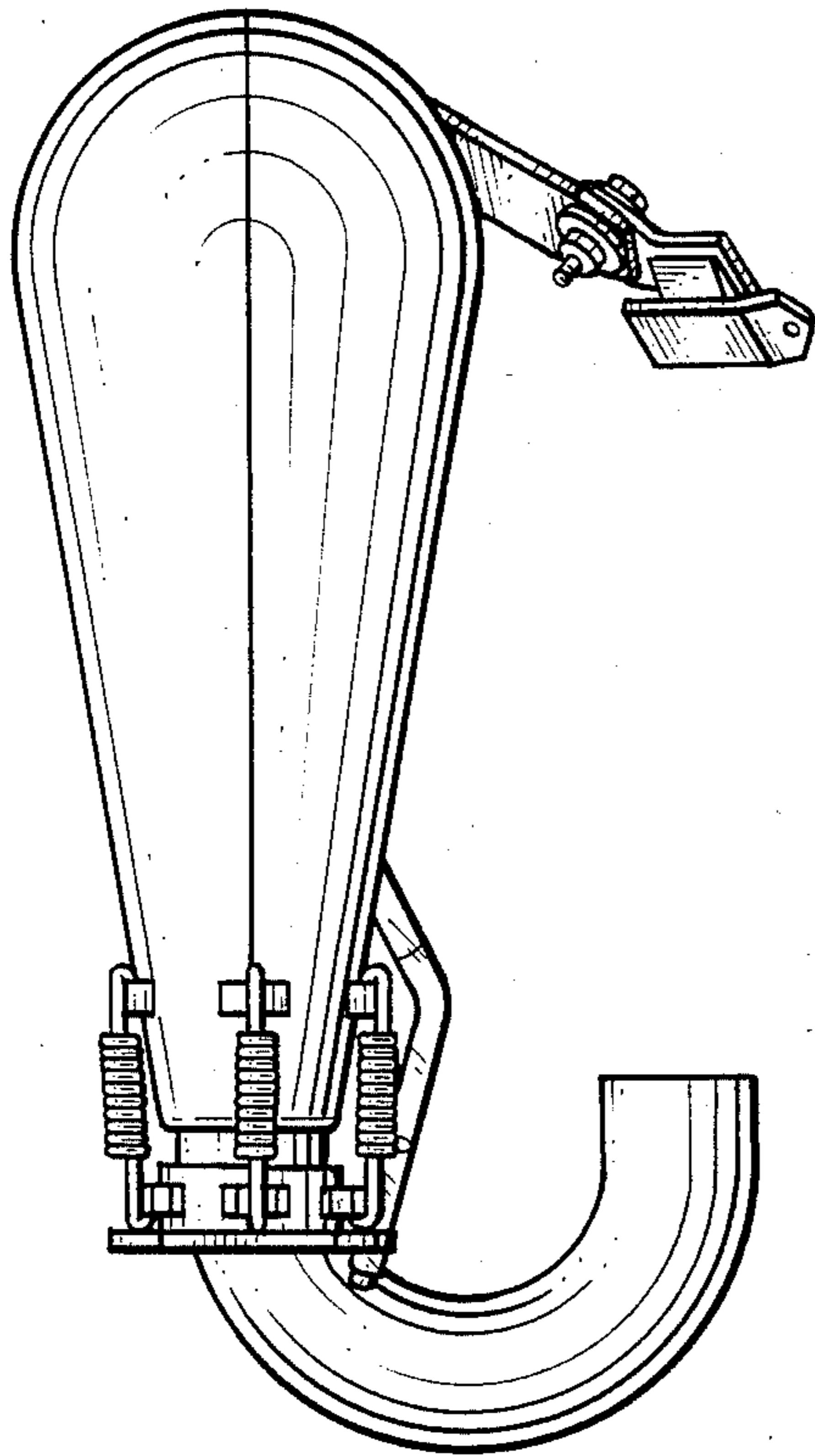


Fig. 5.

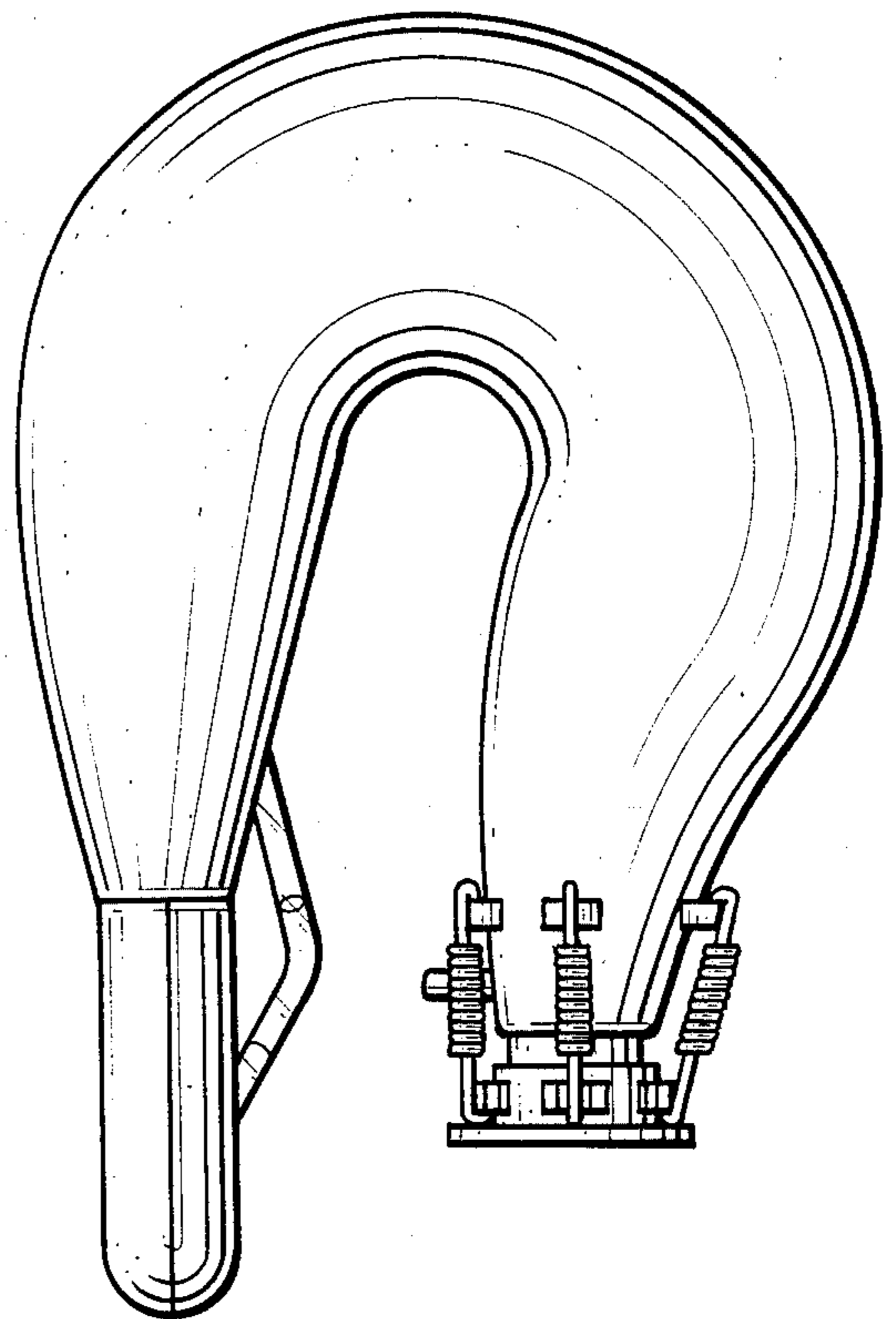


Fig. 6.

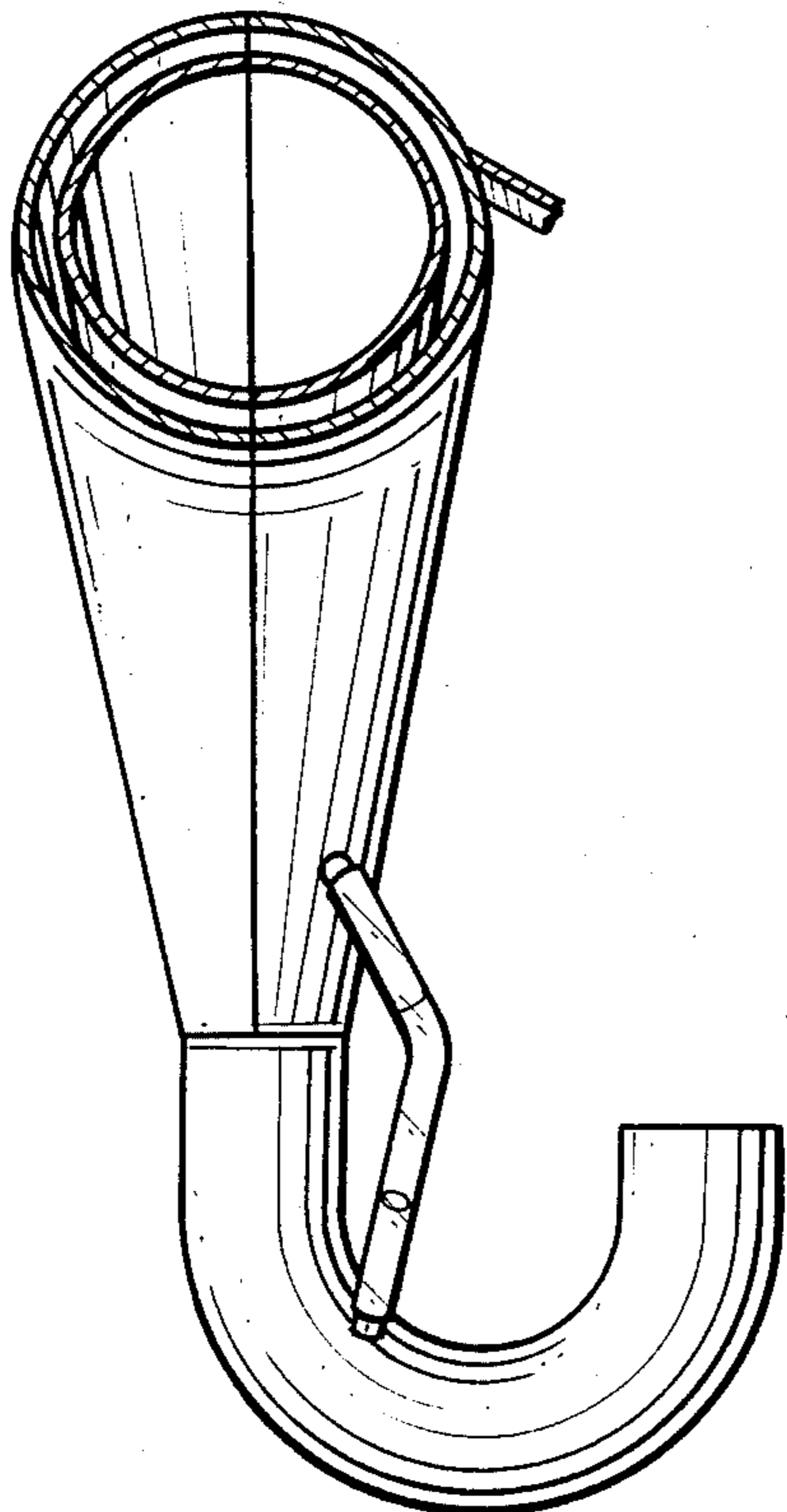


Fig. 7.

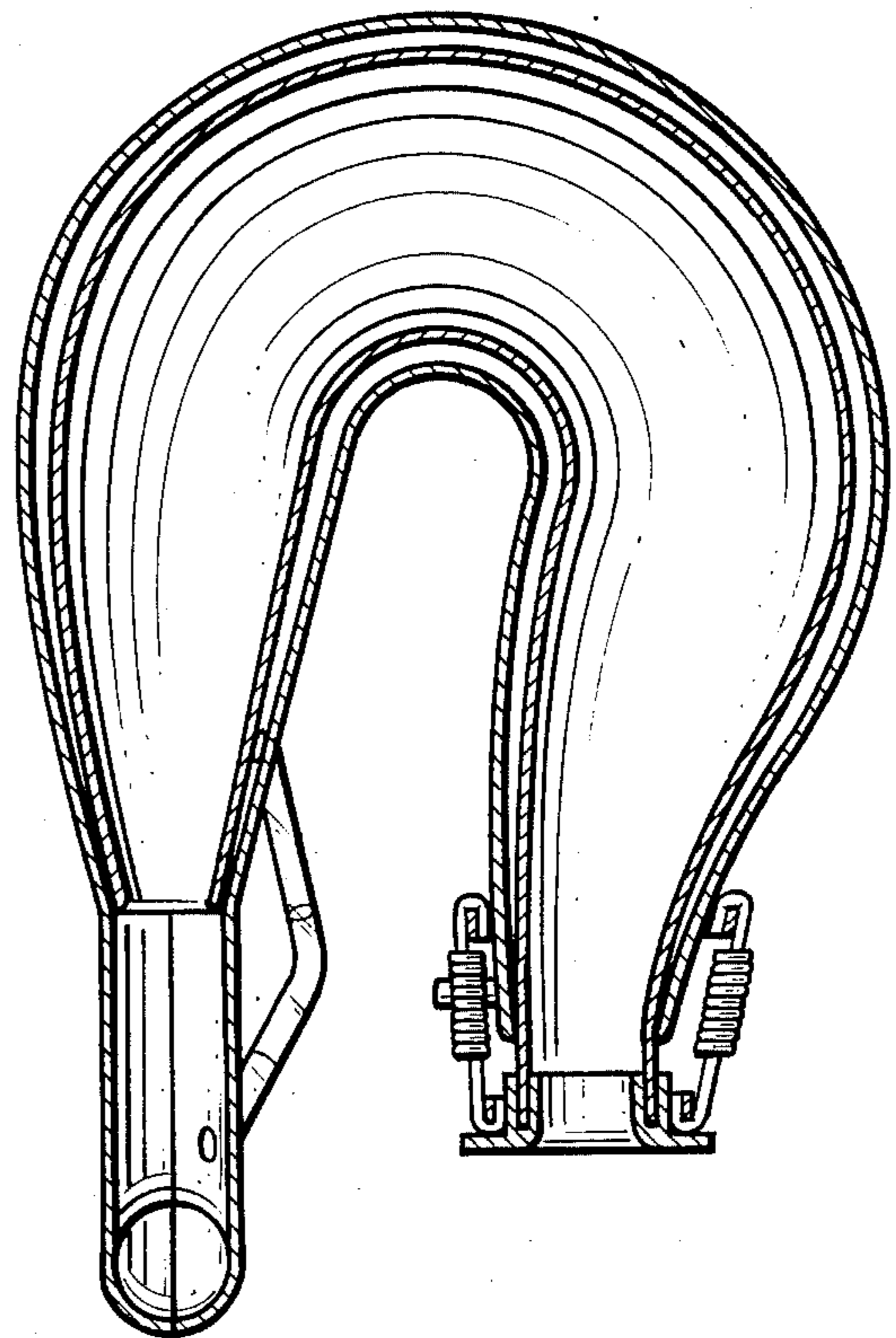


Fig. 8.