

[54] SKI RACK HOLDER

[75] Inventor: Jan-Ivar Arvidsson, Hillerstorp, Sweden

[73] Assignee: Industri AB Thule, Hillerstorp, Sweden

[**] Term: 14 Years

[21] Appl. No.: 906,203

[22] Filed: Sep. 11, 1986

[30] Foreign Application Priority Data

Mar. 11, 1986 [SE] Sweden 86-0611

[52] U.S. Cl. D12/157

[58] Field of Search D12/157; 224/309, 315, 224/317, 321-325, 327, 329, 331, 917

[56] References Cited

U.S. PATENT DOCUMENTS

- D. 273,187 3/1984 Brorsson D12/157
- D. 283,118 3/1986 Eklund D12/157
- 4,640,450 2/1987 Gallion et al. 224/315

OTHER PUBLICATIONS

American Bicyclist & Motorcyclist, 2/84, p. 3, Thule Ski Rack Holder, center of page.

American Bicyclist & Motorcyclist, 1/85, p. 49, Tompkin Cartop Carrier, second illustration down from top left side of page.

American Bicyclist & Motorcyclist, 4/85, p. 22, Gutter Mounting Brackets, bottom left side of page.

Primary Examiner—James M. Gandy

Attorney, Agent, or Firm—Burns, Doane, Swecker & Mathis

[57] CLAIM

The ornamental design for a ski rack holder, as shown and described.

DESCRIPTION

FIG. 1 is a front perspective view of a ski rack holder showing my new design;

FIG. 2 is a right side perspective view thereof;

FIG. 3 is a back perspective view thereof;

FIG. 4 is a front perspective view thereof with the knob assembly omitted for clarity of illustration;

FIG. 5 is a side perspective view of FIG. 4; and,

FIG. 6 is a side perspective view of FIG. 4 in an alternate position.

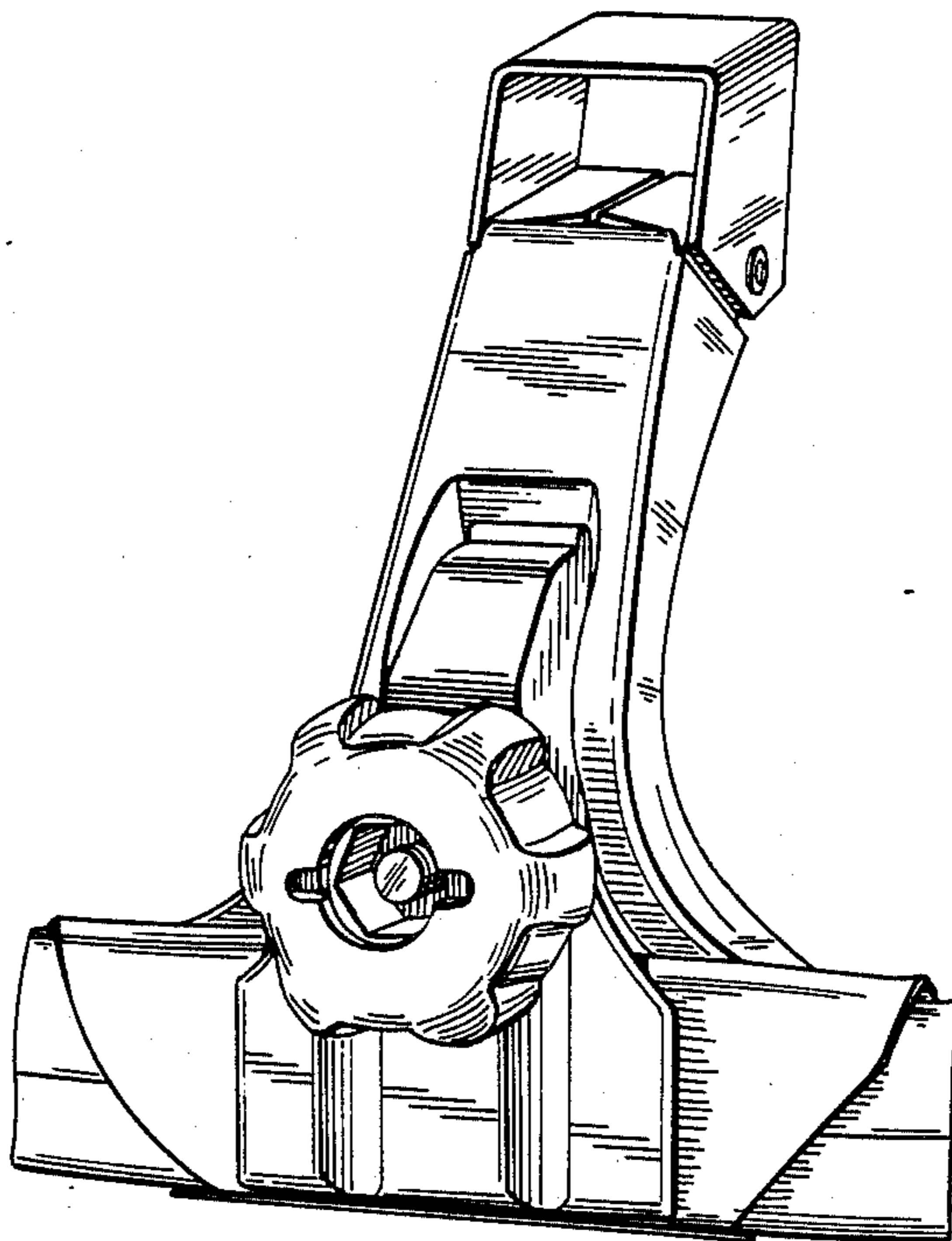


Fig. 1

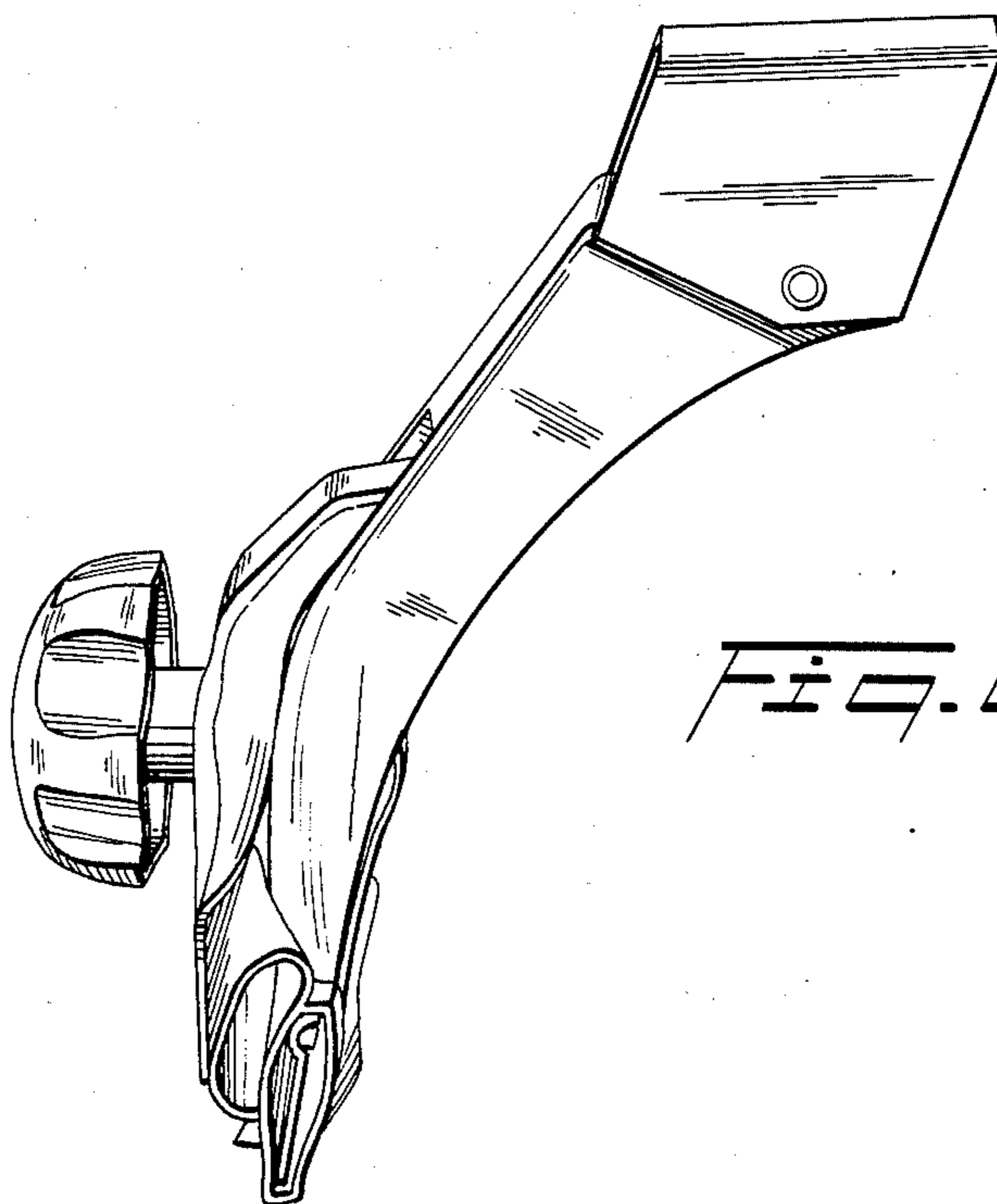
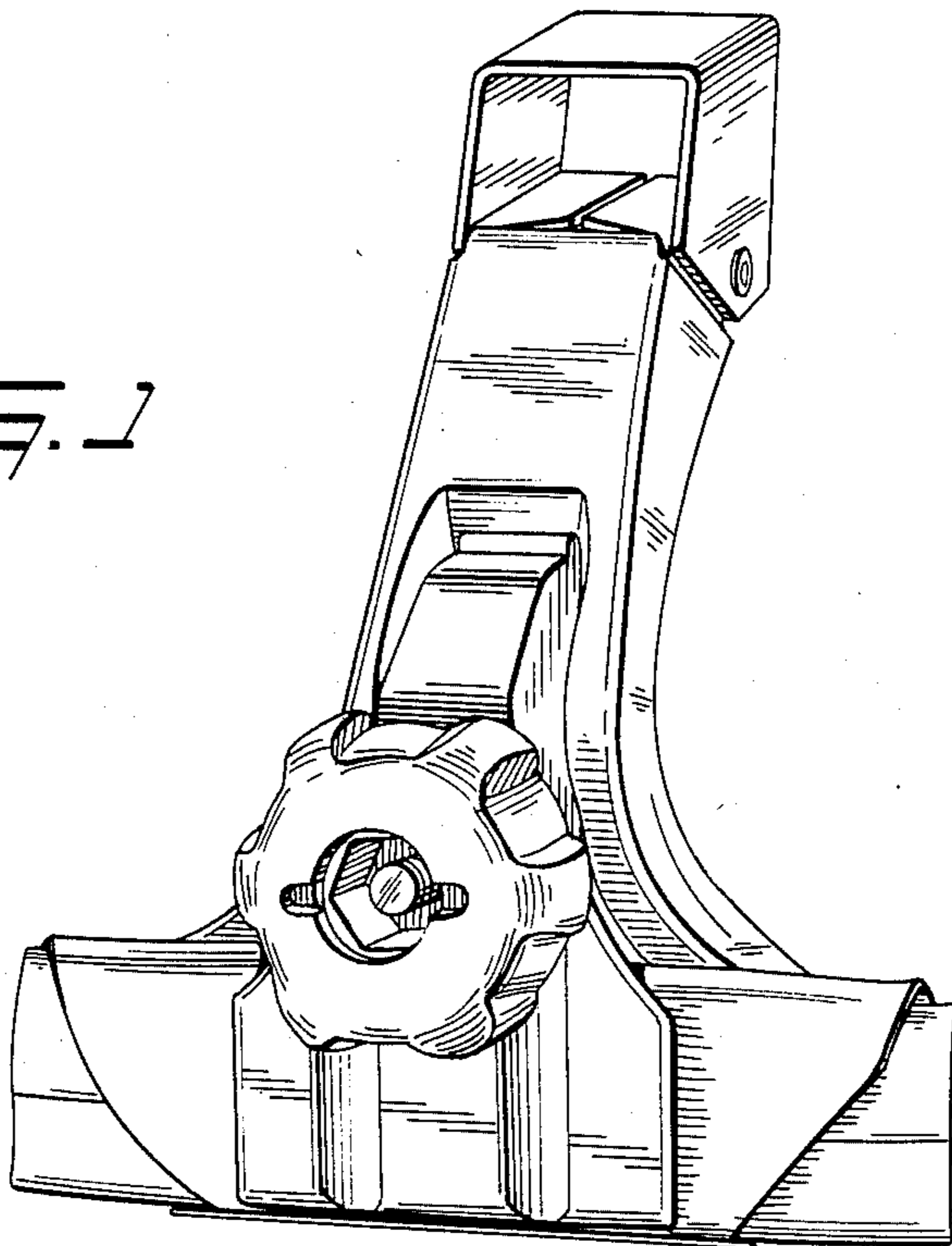


Fig. 2

FIG. 3

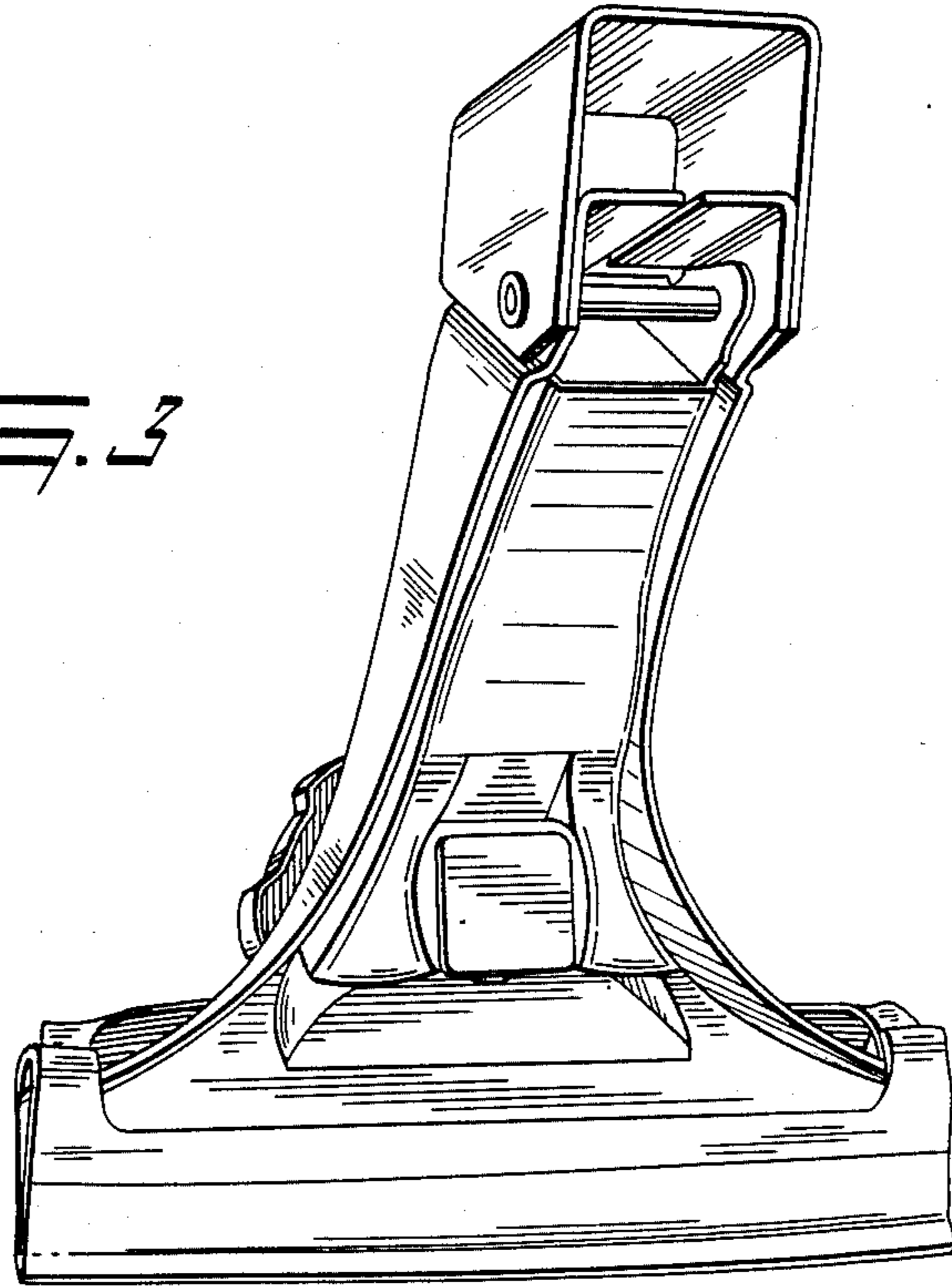


FIG. 4

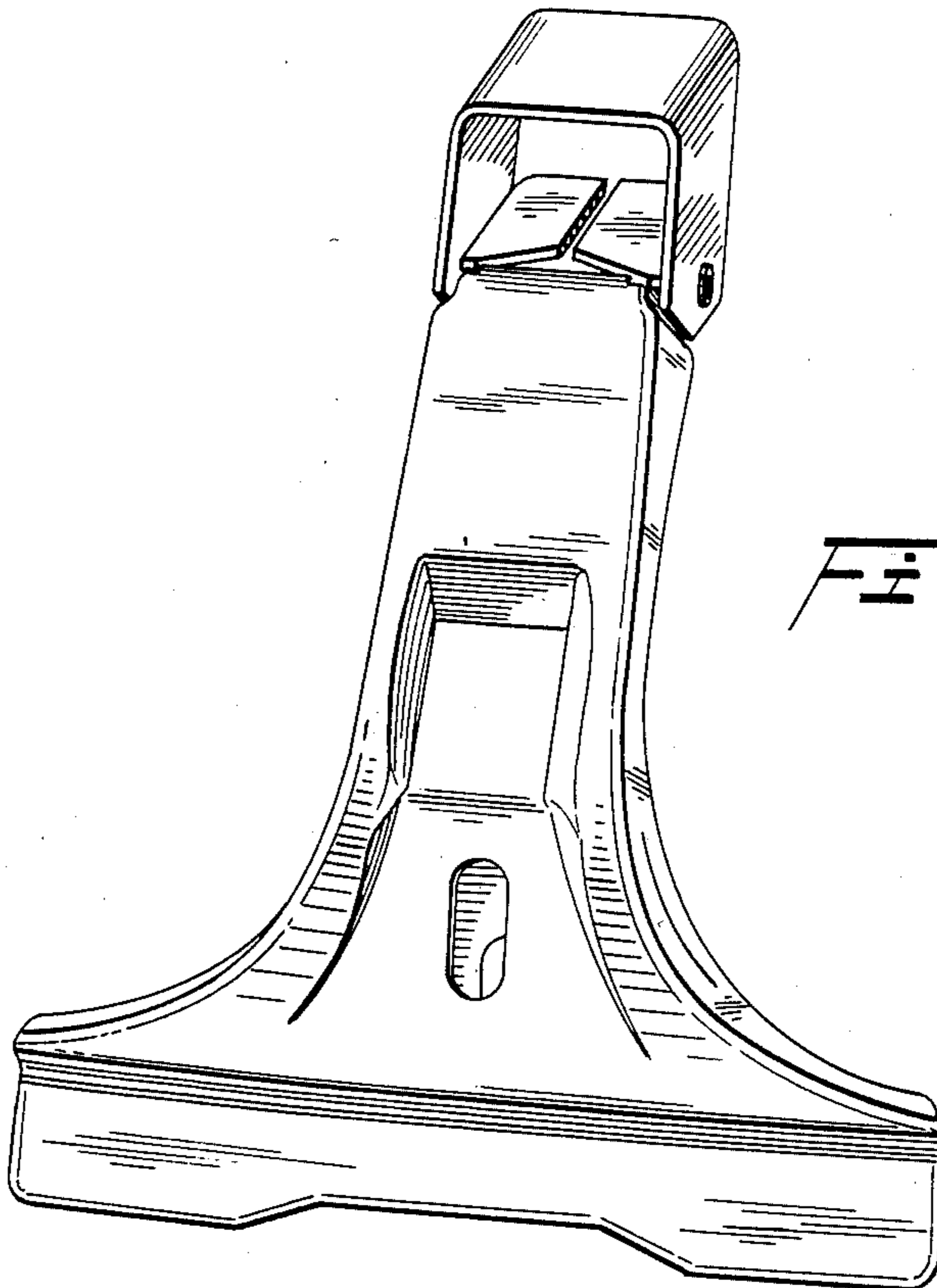


FIG. 5

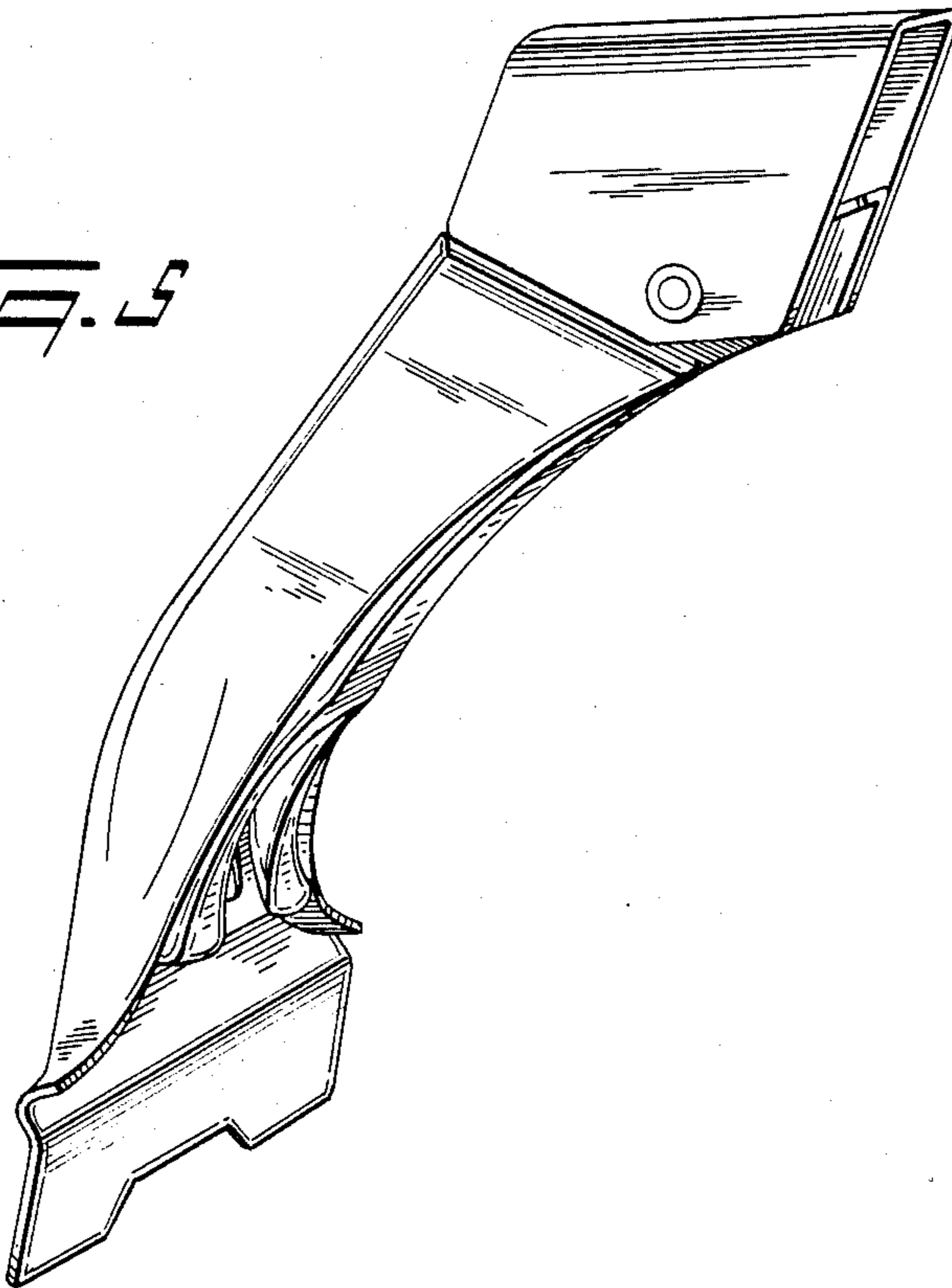


FIG. 6

