

[54] EGG COOKER

[75] Inventor: Joachim Grützke, Offenbach am Main, Fed. Rep. of Germany

[73] Assignee: Rowenta-Werke GmbH, Fed. Rep. of Germany

[**] Term: 14 Years

[21] Appl. No.: 836,591

[22] Filed: Feb. 26, 1986

[30] Foreign Application Priority Data

Aug. 27, 1985 [DE] Fed. Rep. of Germany ... 5MR10626

[52] U.S. Cl. D7/357; D7/360

[58] Field of Search 99/336, 440; D7/84.1, D7/357, 360, 361, 7

[56] References Cited

U.S. PATENT DOCUMENTS

D. 216,213 12/1969 Mann D7/360
2,562,991 8/1951 Rothschild 99/440 X

2,761,375 9/1956 Jepson 99/440 X
2,807,701 9/1957 Conlin et al. D7/357 X
3,020,824 2/1962 Pantermoller 99/440 X
3,857,327 12/1974 Popeil D7/357 X

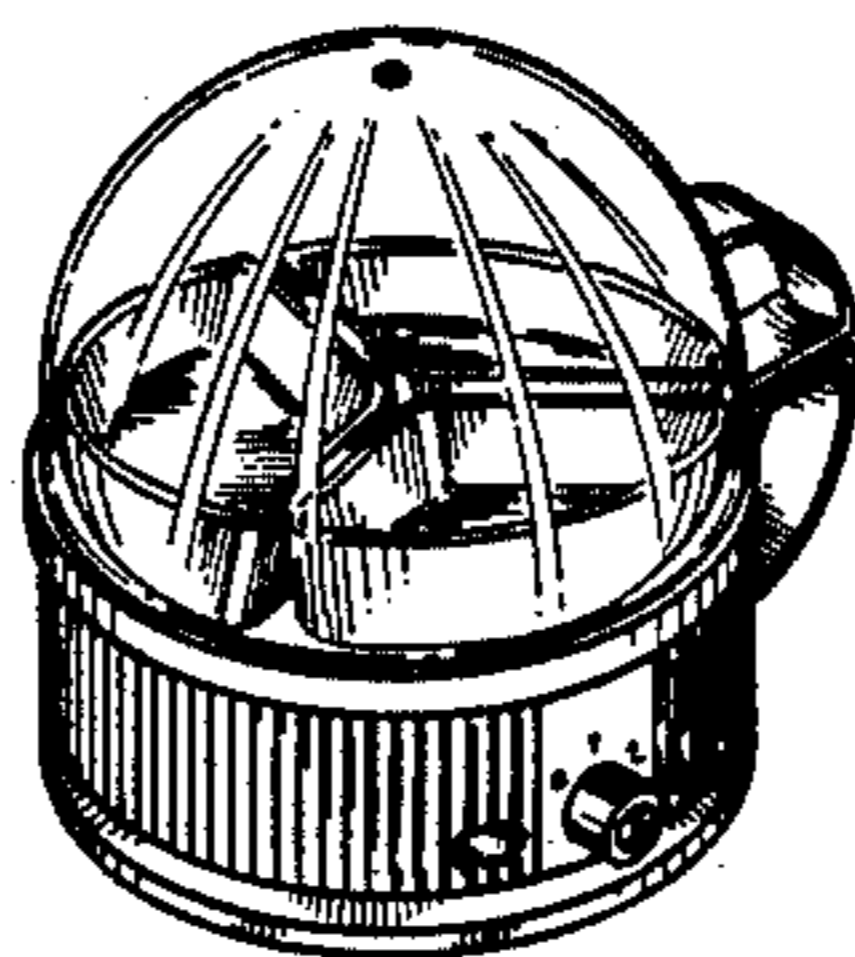
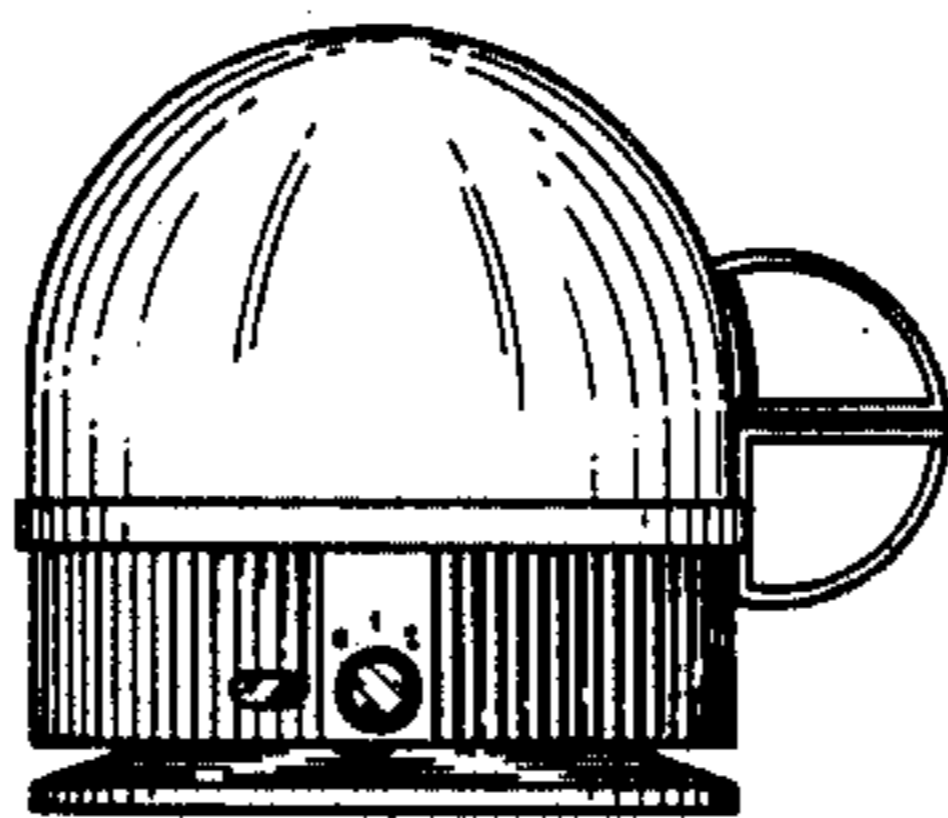
Primary Examiner—Winifred E. Herrmann

[57] CLAIM

The ornamental design for an egg cooker, as shown and described.

DESCRIPTION

FIG. 1 is a front perspective view of an egg cooker showing my new design;
FIG. 2 is a rear perspective thereof;
FIG. 3 is a right side elevational view thereof;
FIG. 4 is a left side elevational view thereof;
FIG. 5 is a top plan view thereof;
FIG. 6 is a front elevational view thereof;
FIG. 7 is a rear elevational view thereof;
FIG. 8 is a bottom plan view thereof; and
FIG. 9 is a front perspective view of an egg cooker showing a modification of my new design with a transparent lid and poached egg trays.



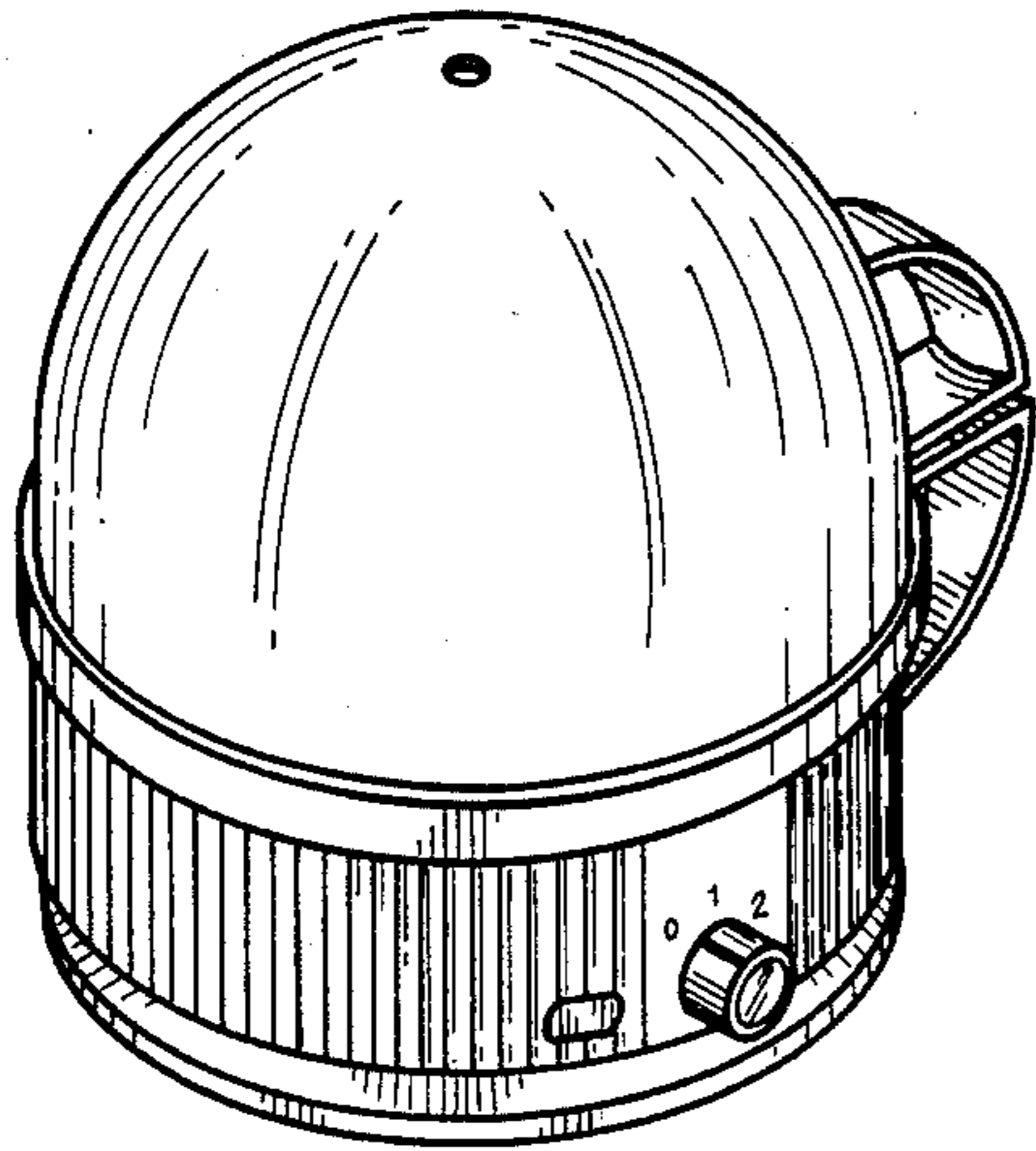


Fig. 1

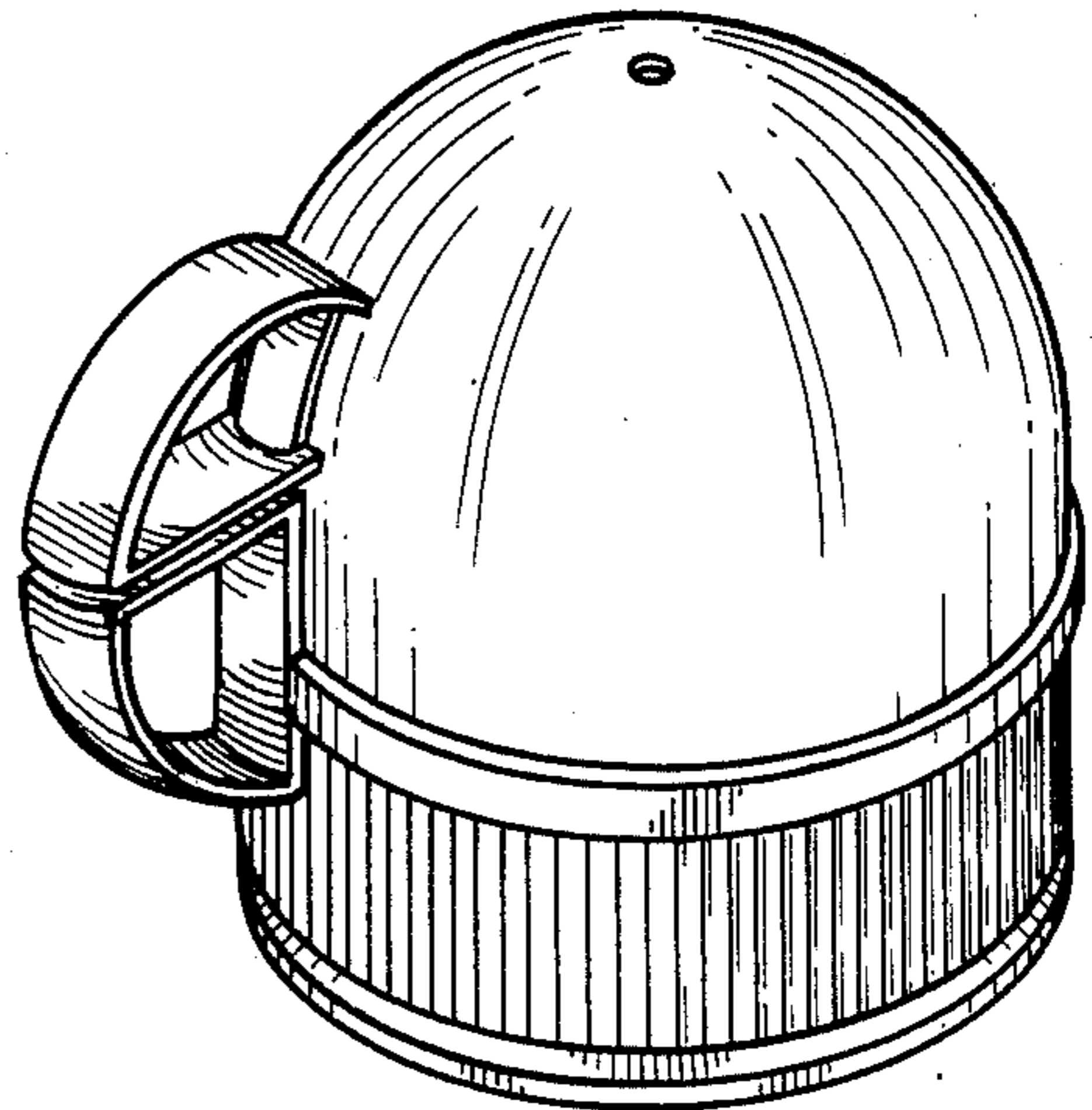


Fig. 2

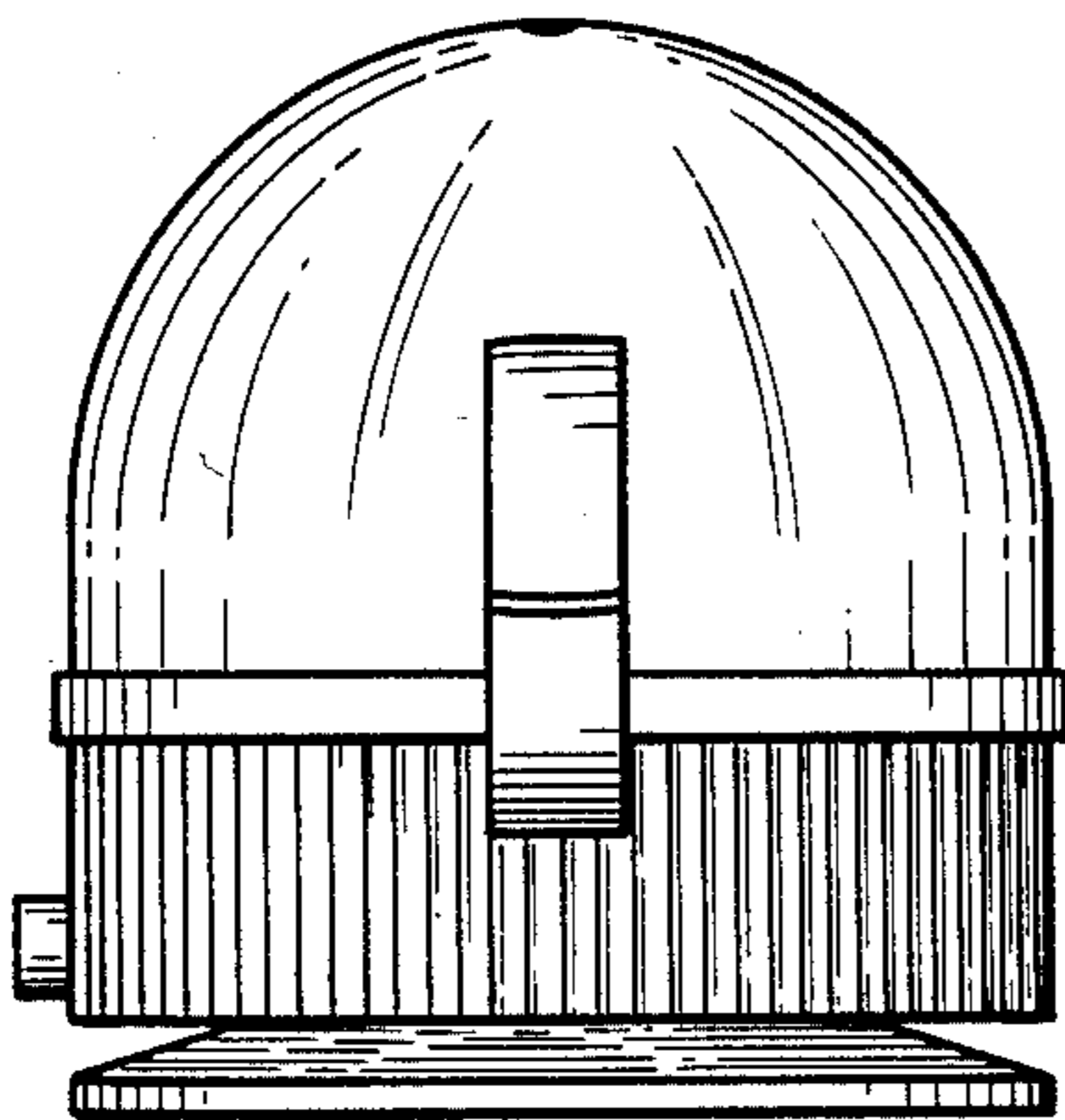


Fig. 3

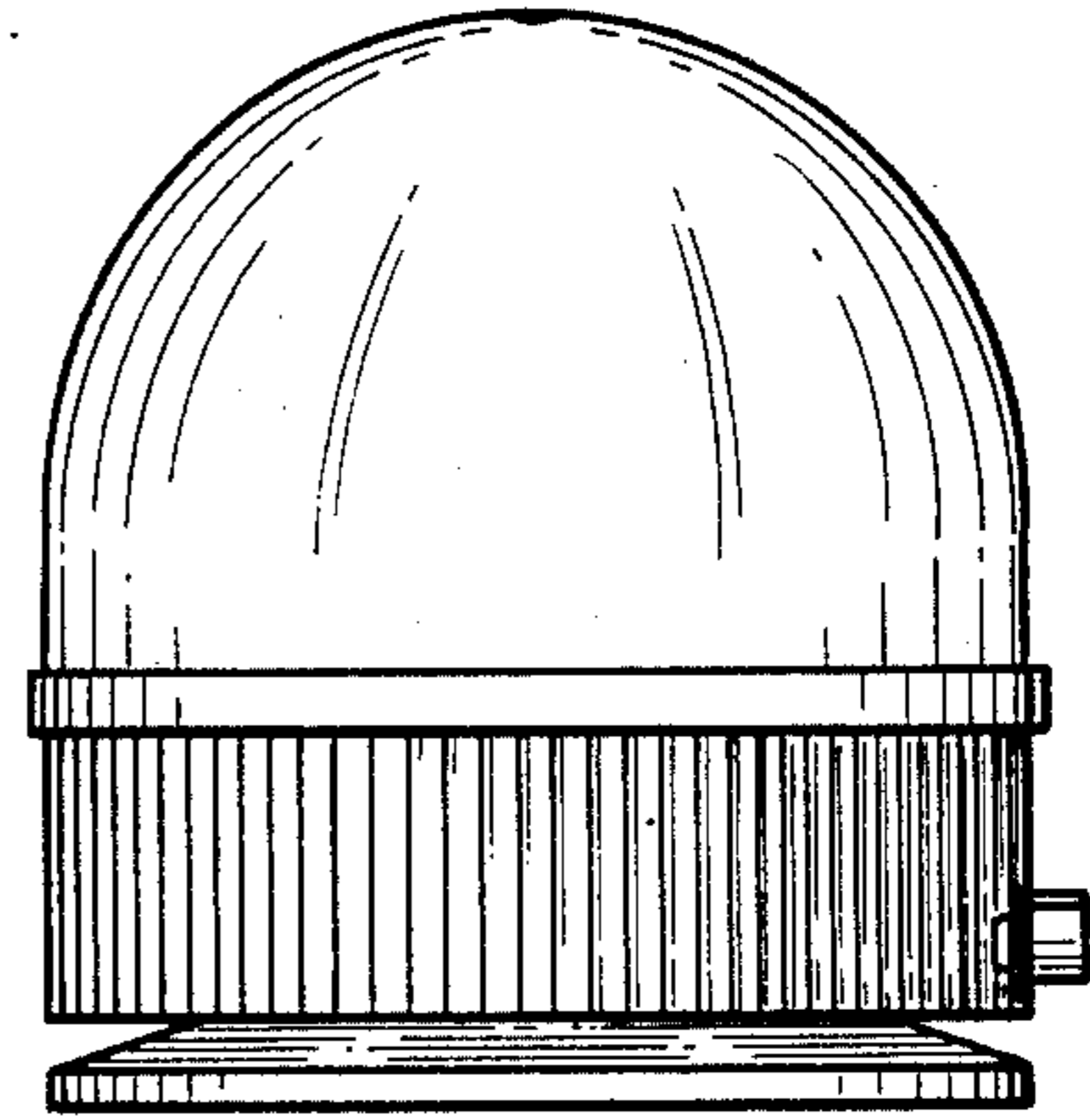


Fig. 4

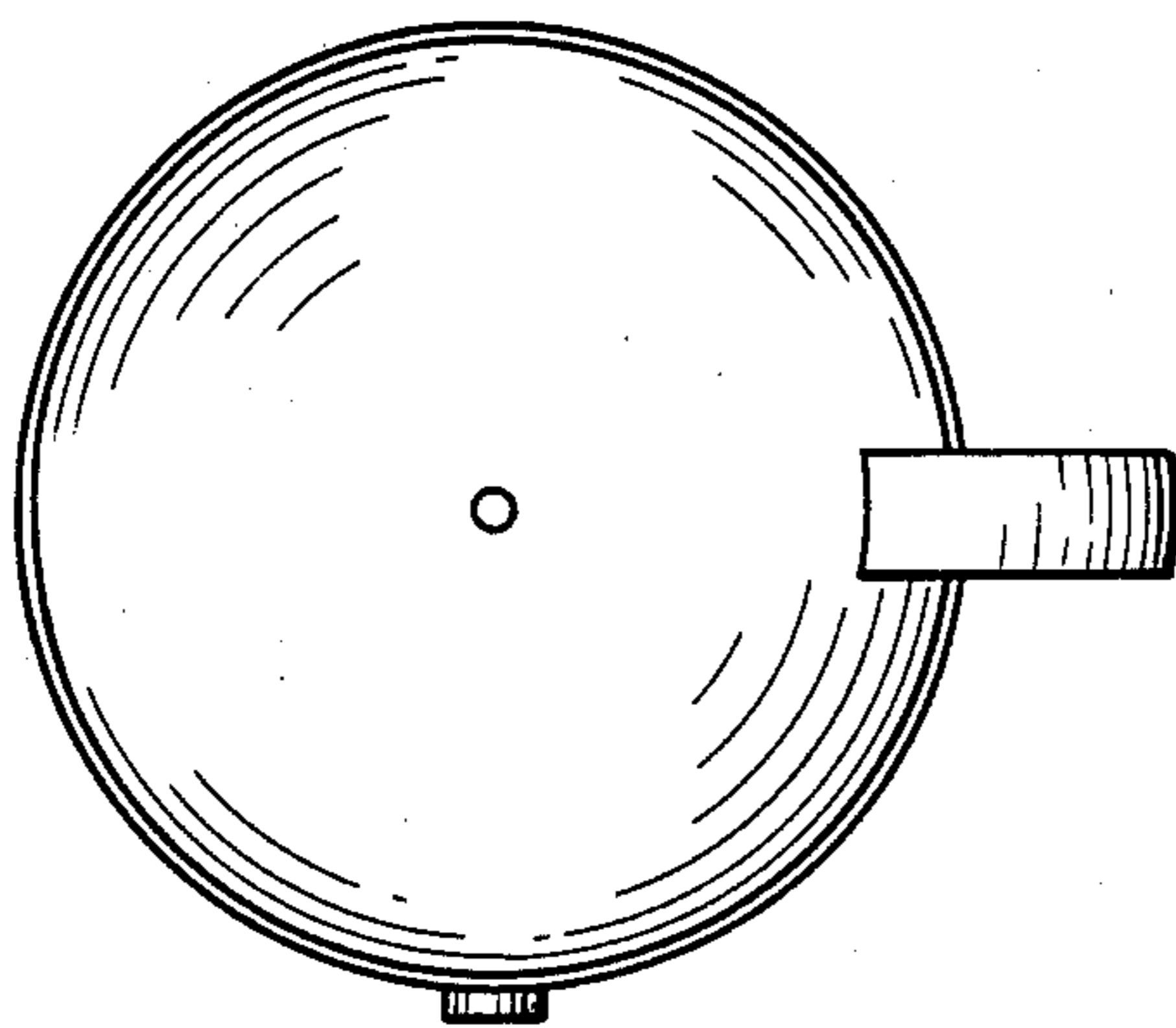


Fig. 5

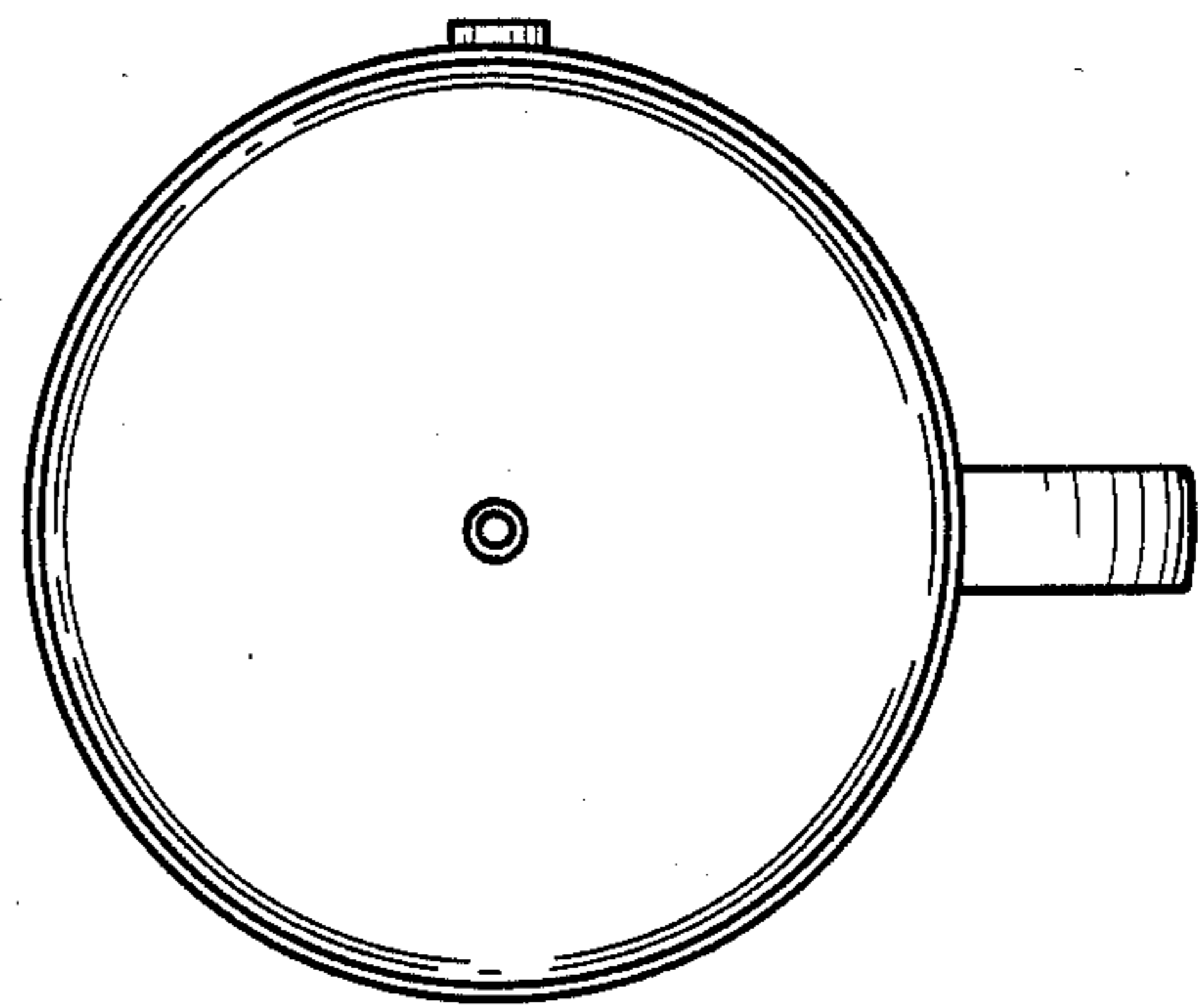


Fig. 6

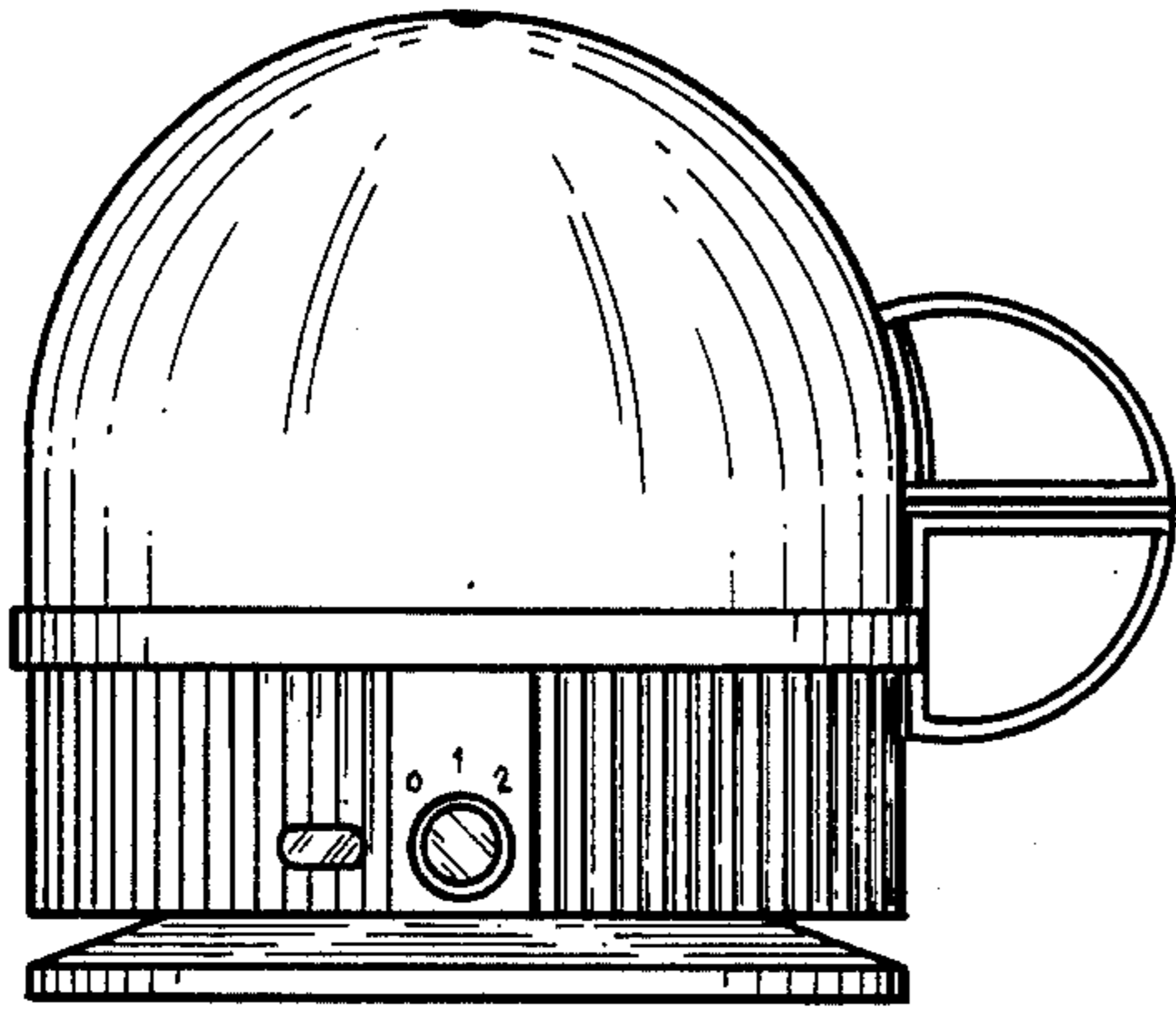


Fig. 6

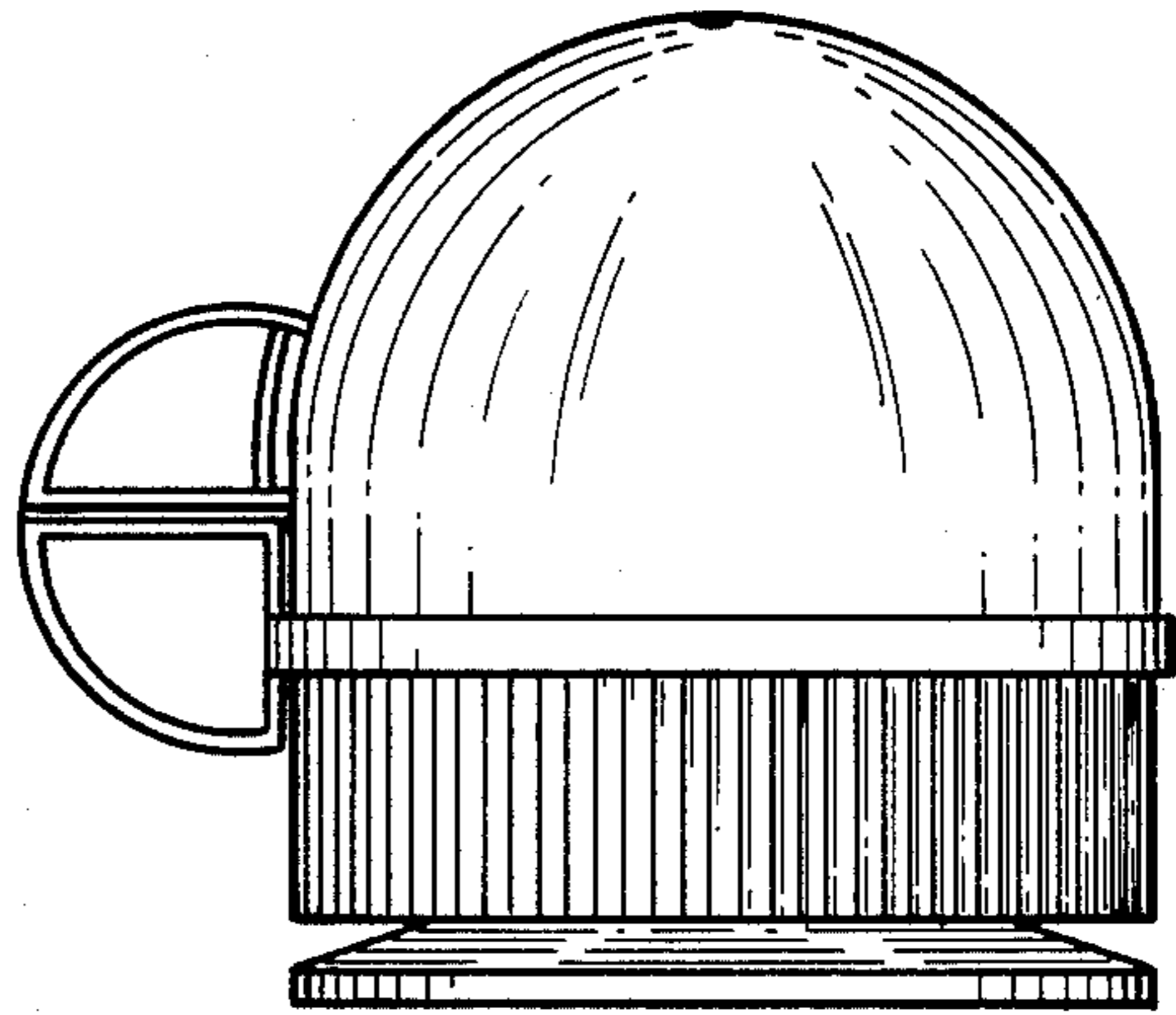


Fig. 7

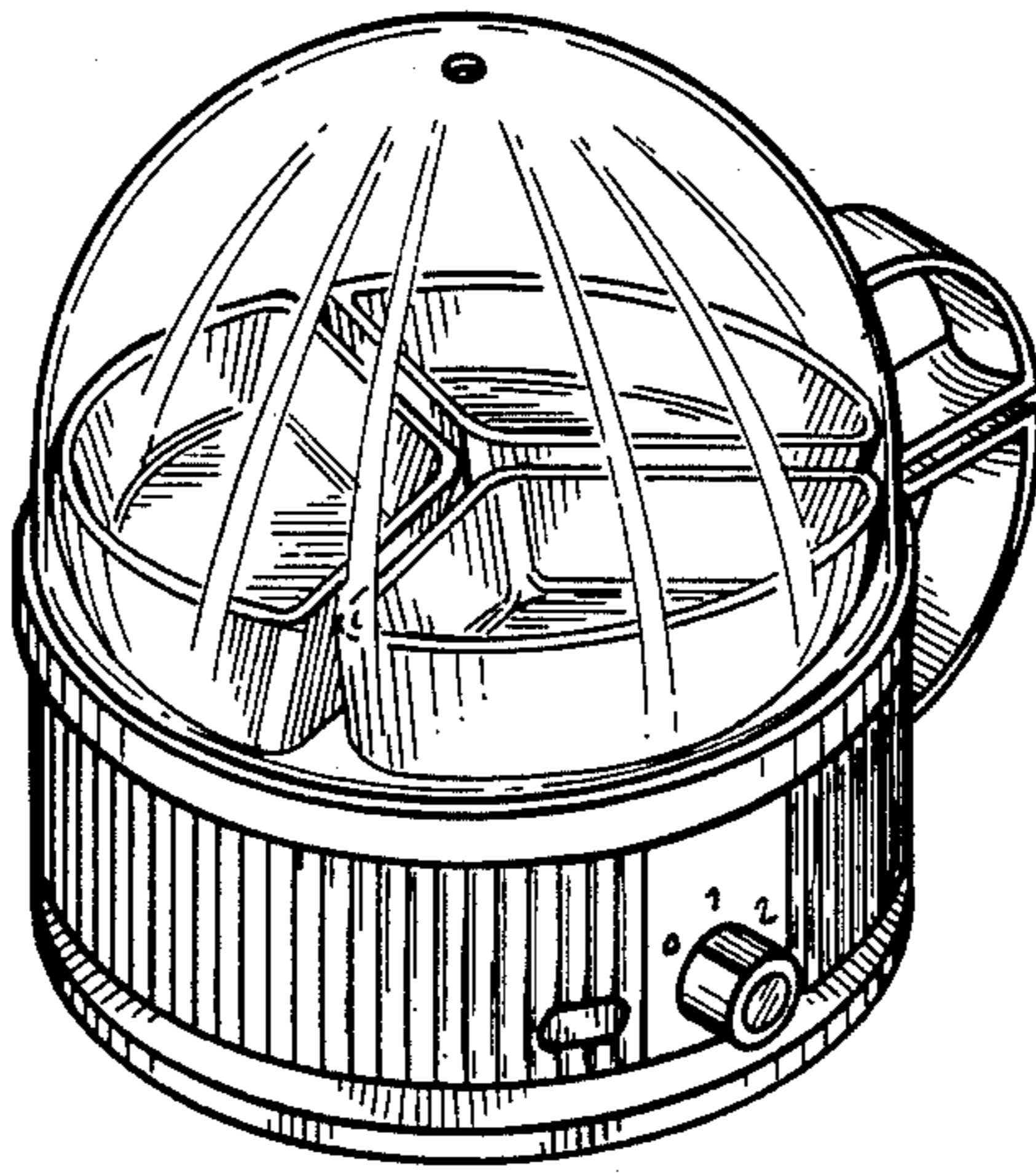


Fig. 9