

[54] BREWER FOR COFFEE OR TEA

[76] Inventor: Vincent G. Marotta, 18801 S. Park Blvd., Shaker Heights, Ohio 44122

[**] Term: 14 Years

[21] Appl. No.: 806,085

[22] Filed: Dec. 6, 1985

[52] U.S. Cl. D7/309

[58] Field of Search D7/300, 305, 309, 310, D7/312

[56] References Cited

U.S. PATENT DOCUMENTS

D. 284,730	7/1986	Marotta	D7/309
D. 285,276	8/1986	Daher	D7/309
D. 290,215	6/1987	Sonnentag	D7/305 X
4,070,956	1/1978	Brown	D7/309 X

OTHER PUBLICATIONS

Merchandising, Apr., 1984, p. 14, "UP'N Away"® Coffee Maker-Hamilton Beach, top left.

Schoner Wohnen, Nov. 1982, p. 113Sw, Melitta "Aromacenter".

Primary Examiner—Winifred E. Herrmann
Attorney, Agent, or Firm—J. H. Yount, Jr.

[57] CLAIM

The ornamental design for a brewer for coffee or tea, as shown and described.

DESCRIPTION

FIG. 1 is a top, front, and right side perspective view of a brewer for coffee or tea showing my new design.

FIG. 2 is a front elevational view thereof.

FIG. 3 is a left side elevational view thereof.

The right side elevational view of the brewer for coffee or tea of FIG. 1 is a mirror image of the left side elevational view shown in FIG. 3.

FIG. 4 is a rear elevational view thereof.

FIG. 5 is a top plan view thereof.

FIG. 6 is a bottom plan view thereof.

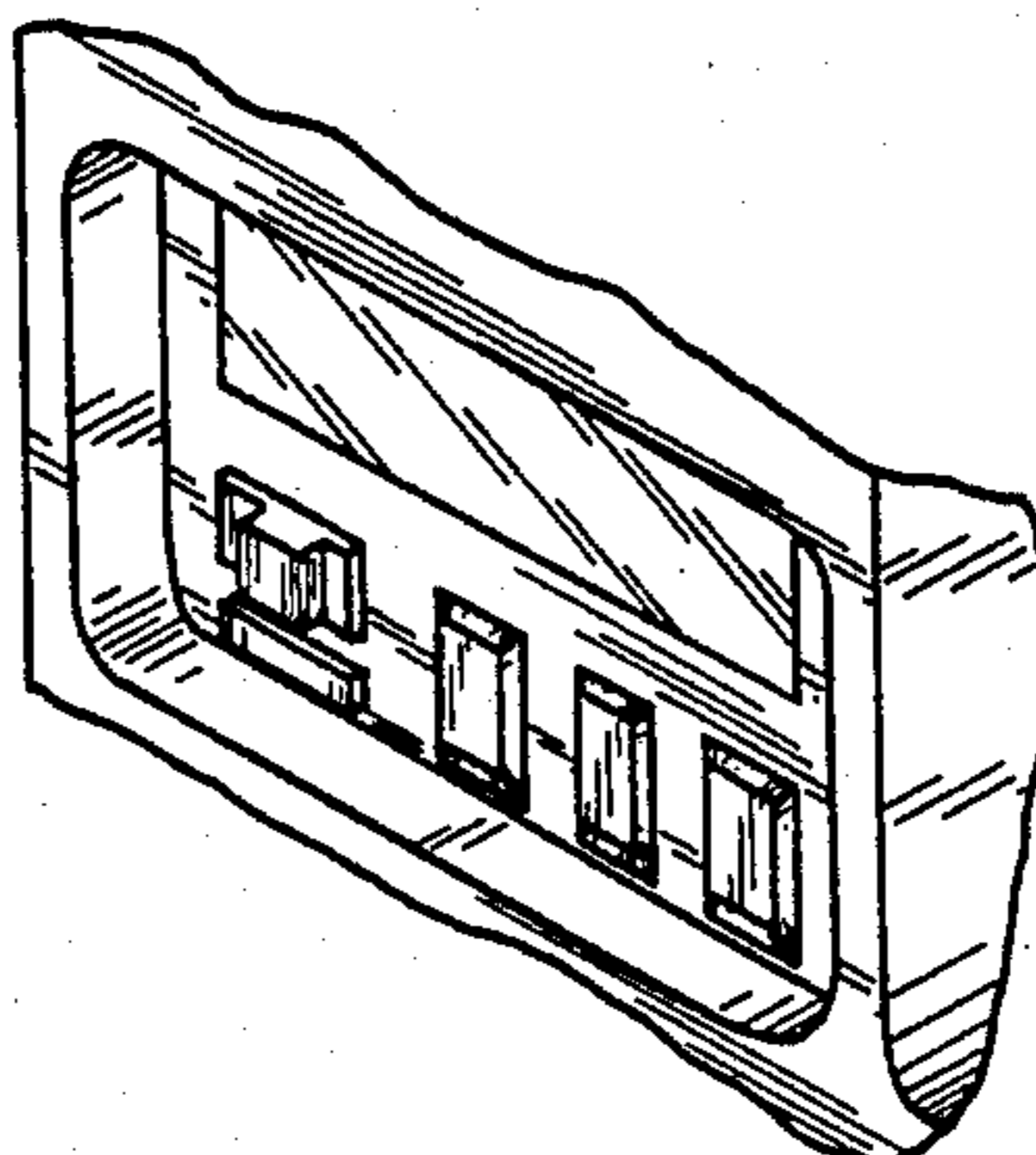
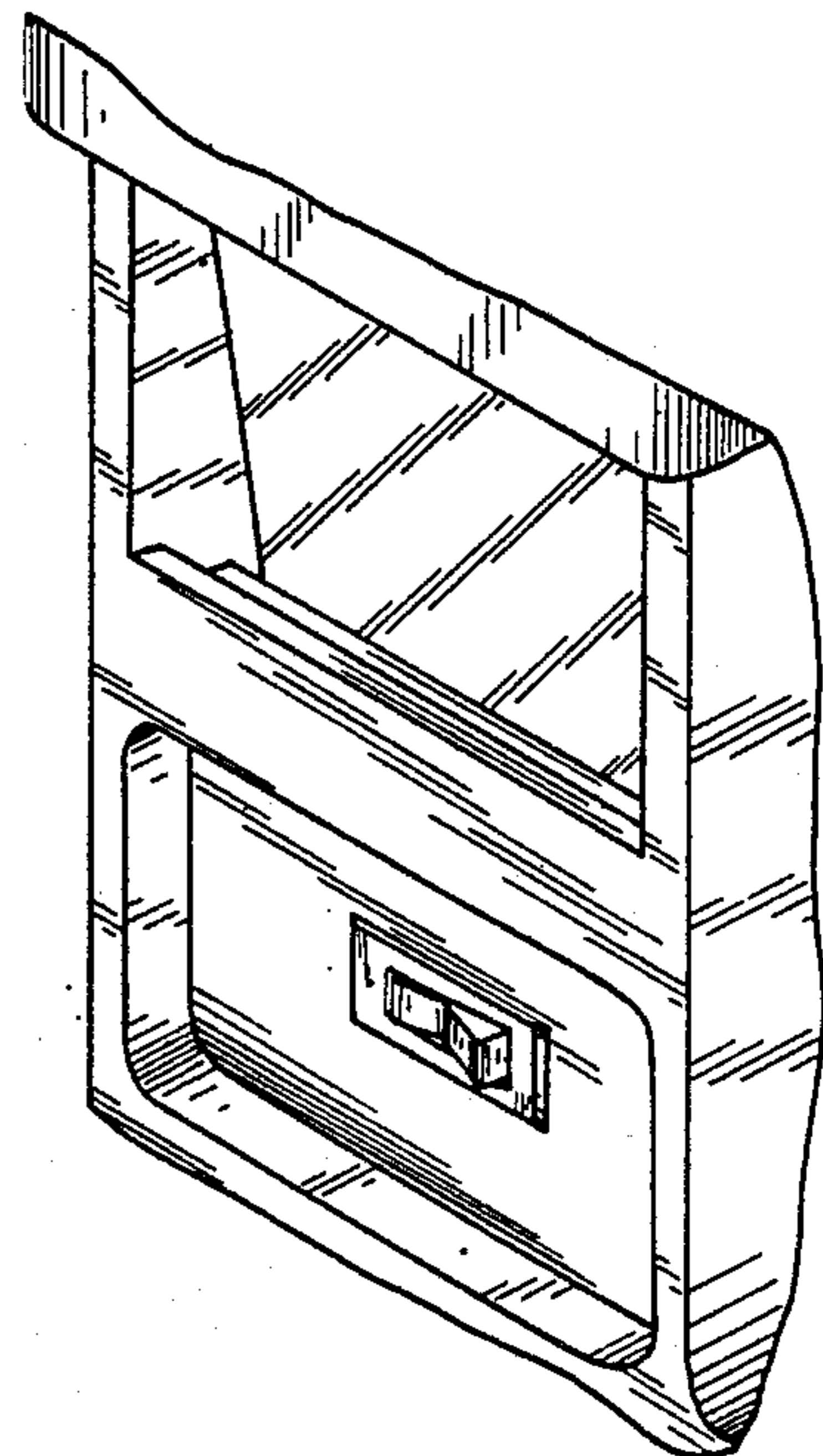
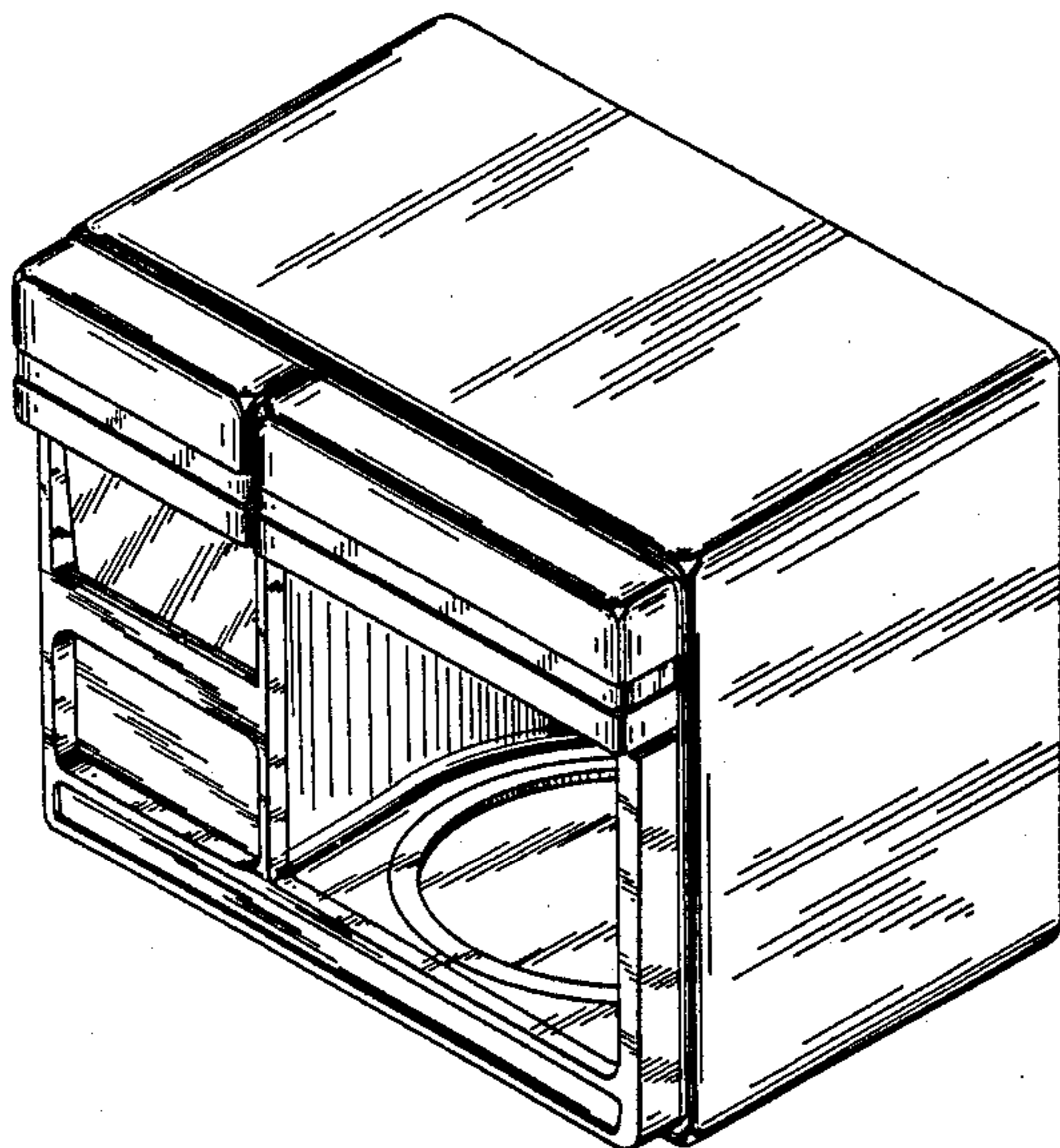
FIG. 7 is a partial sectional view thereof taken along line 7—7 of FIG. 2 to better show the configuration the walls thereof.

FIG. 8 is a partial sectional view thereof looking up from line 8—8 of FIG. 2 to better show the appearance of the bottom of the filter basket and the outside wall extending upwardly from the right hand portion of the base and about the basket.

FIG. 9 is a partial sectional view thereof taken along line 9—9 of FIG. 2 to better show the appearance of the lower front panel thereof.

FIG. 10 is a fragmentary front perspective view of a modified form of the brewer for coffee or tea of FIG. 1 wherein a switch arrangement has been applied to the front face of the column support.

FIG. 11 is a fragmentary front perspective view of another modified form of the brewer for coffee or tea of FIG. 1 wherein an alternate switch arrangement has been applied to the front face of the column support.



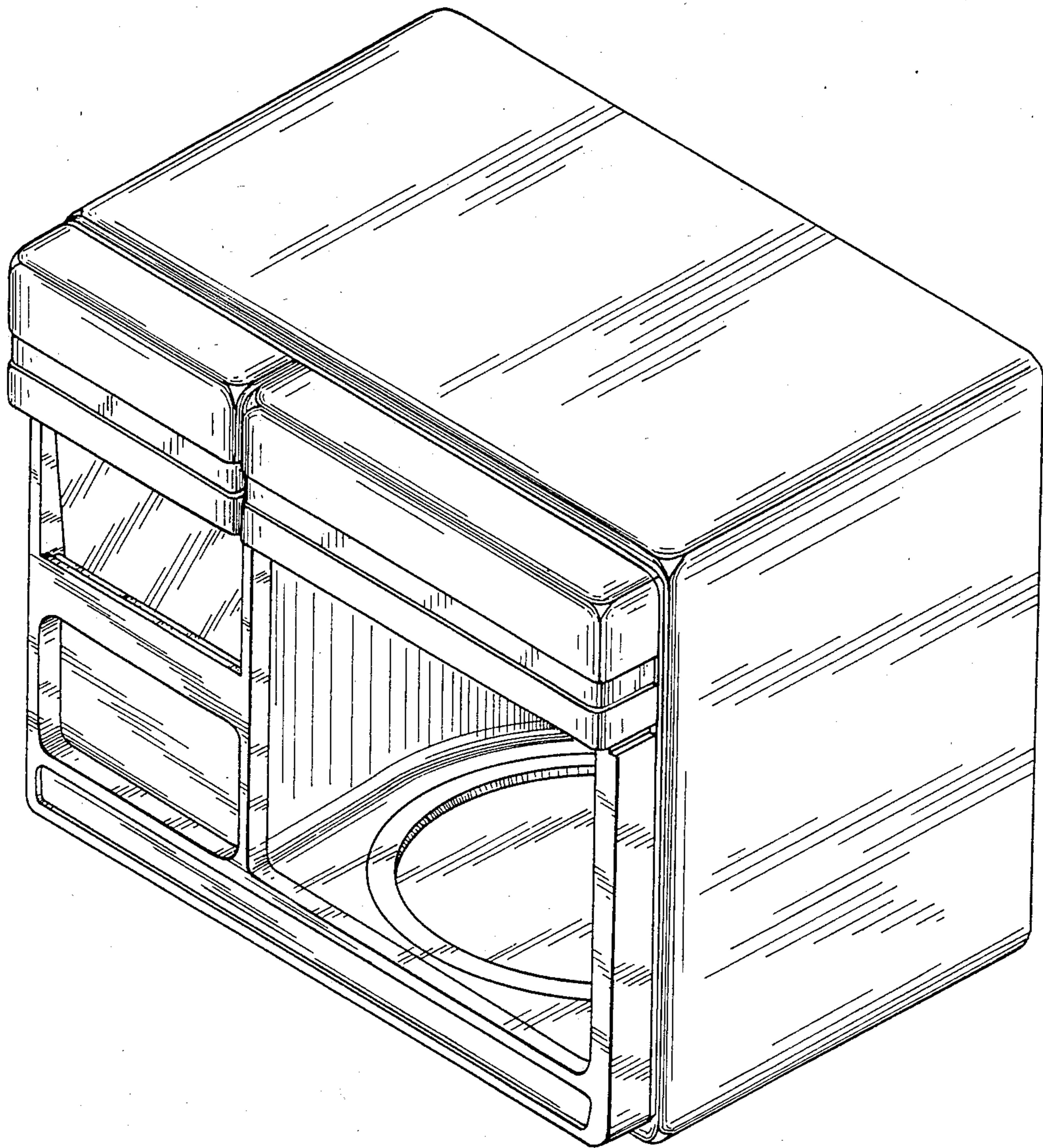


FIG. 1.

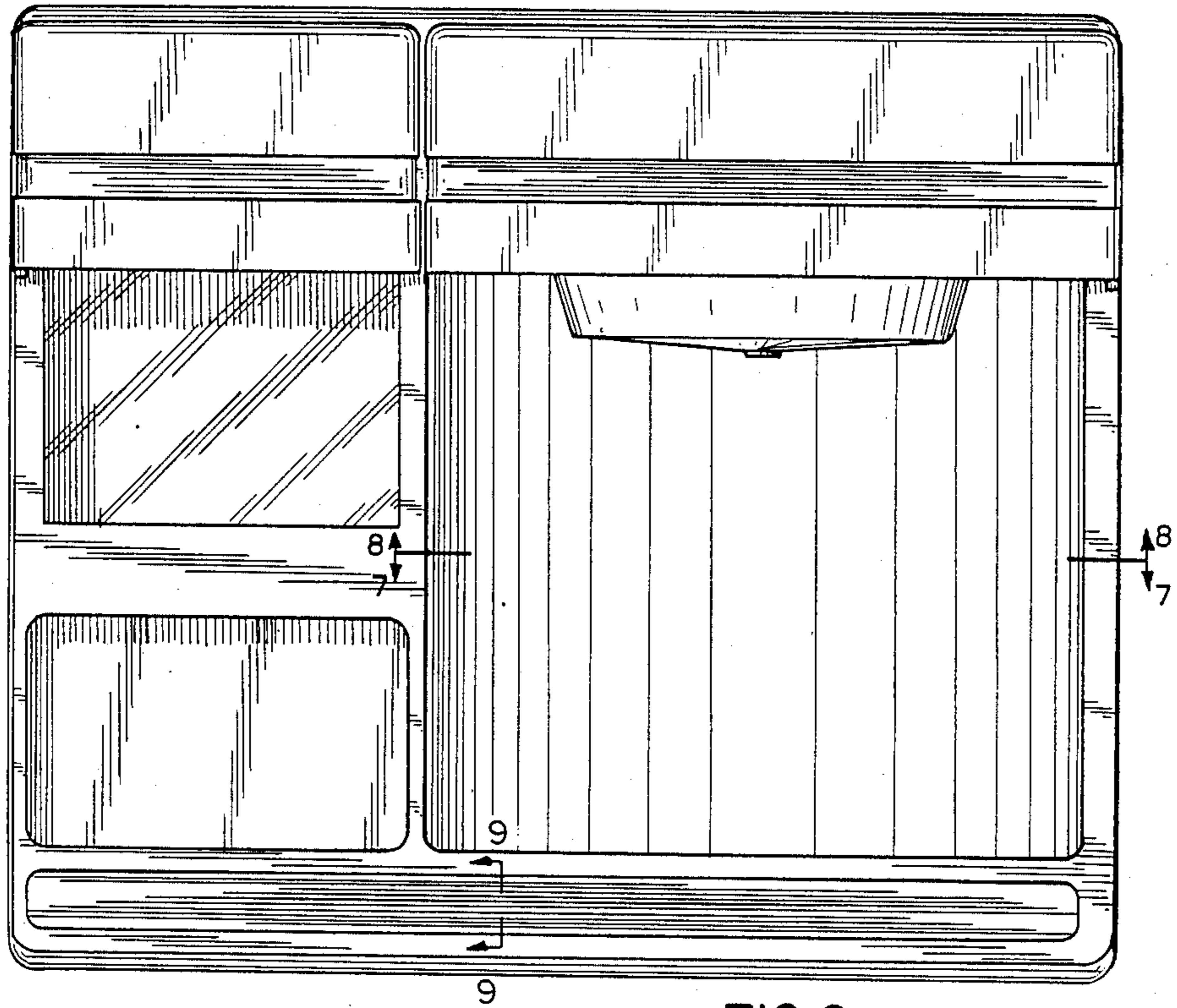
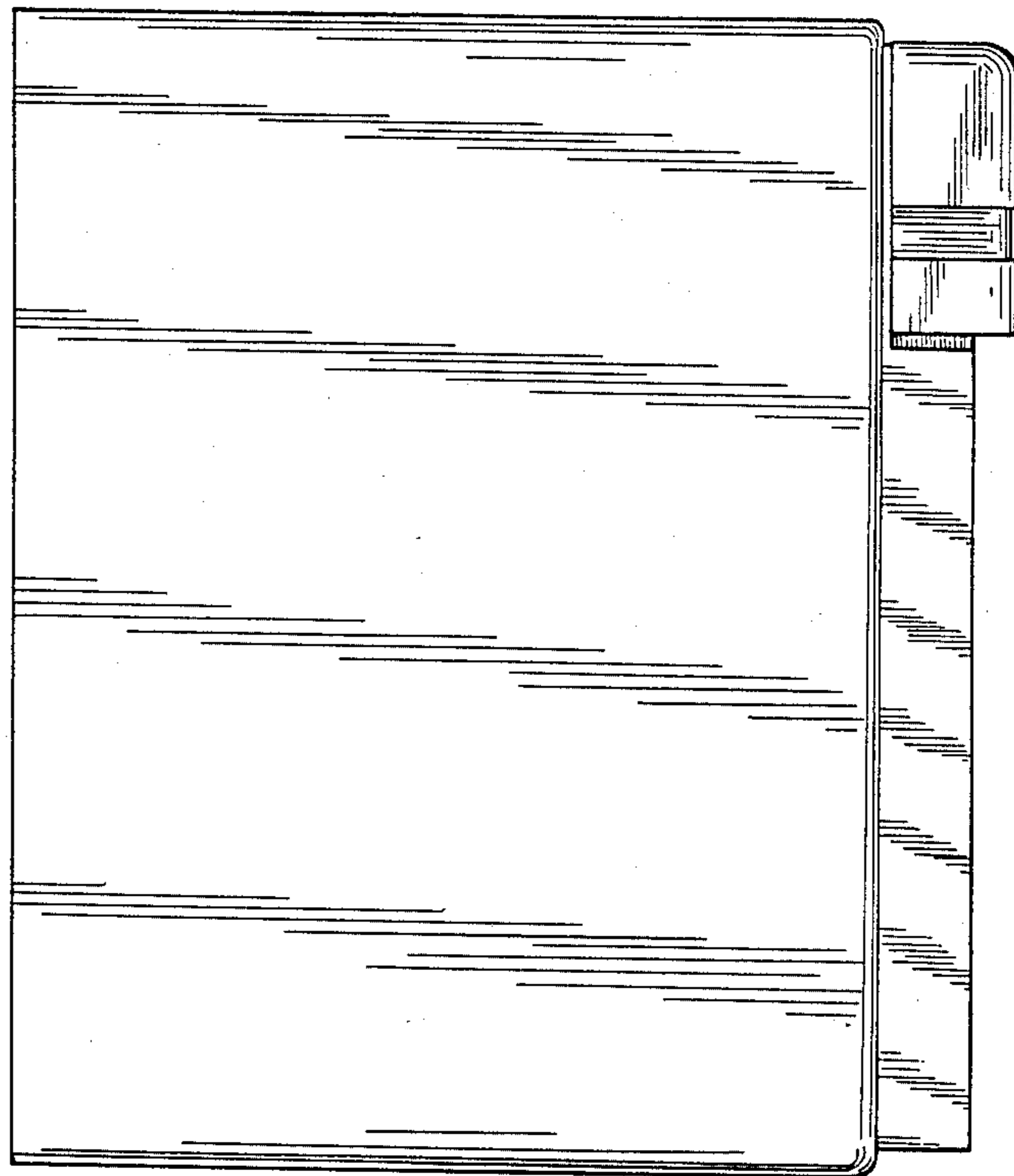


FIG. 2

FIG. 3



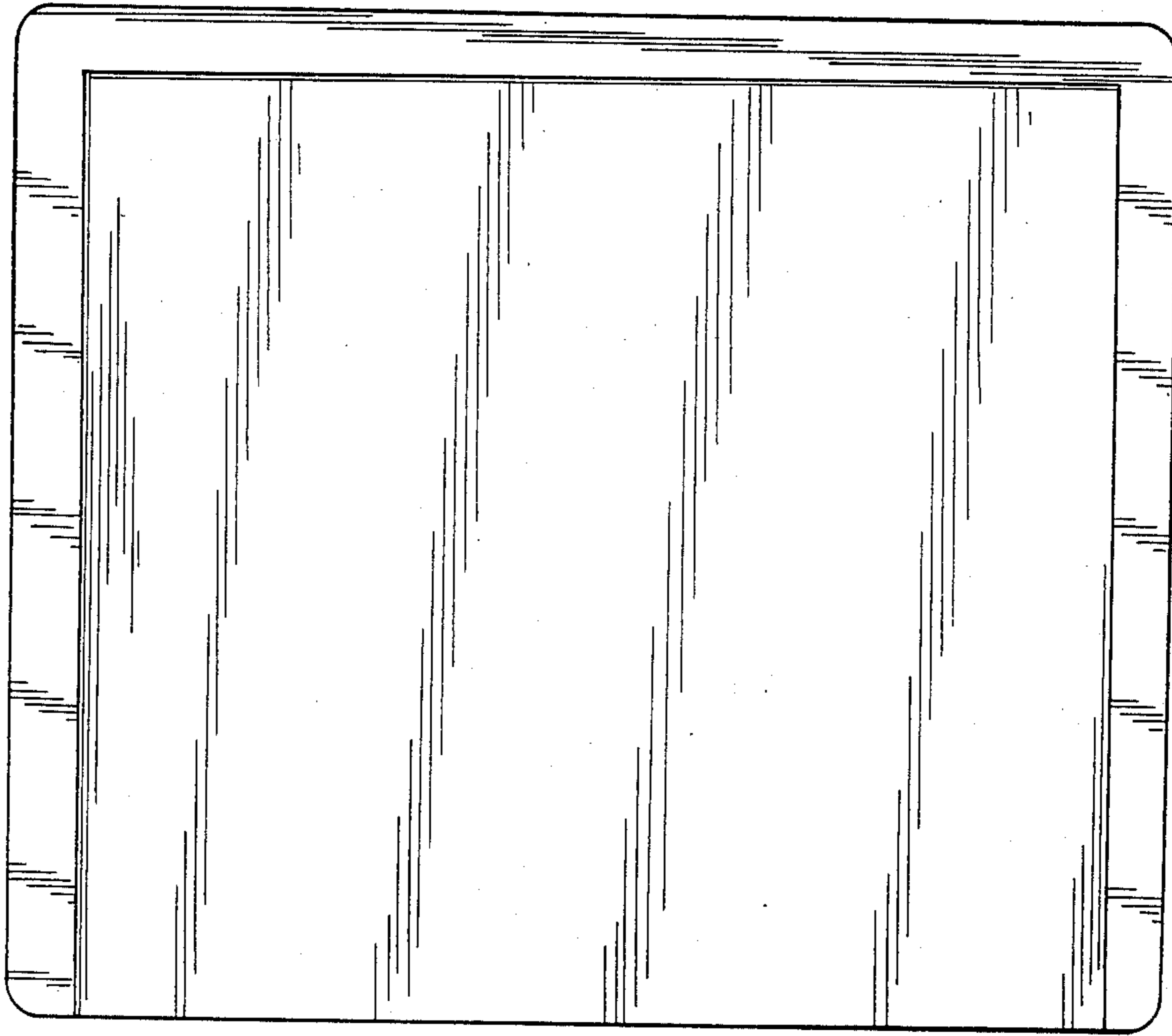


FIG. 4

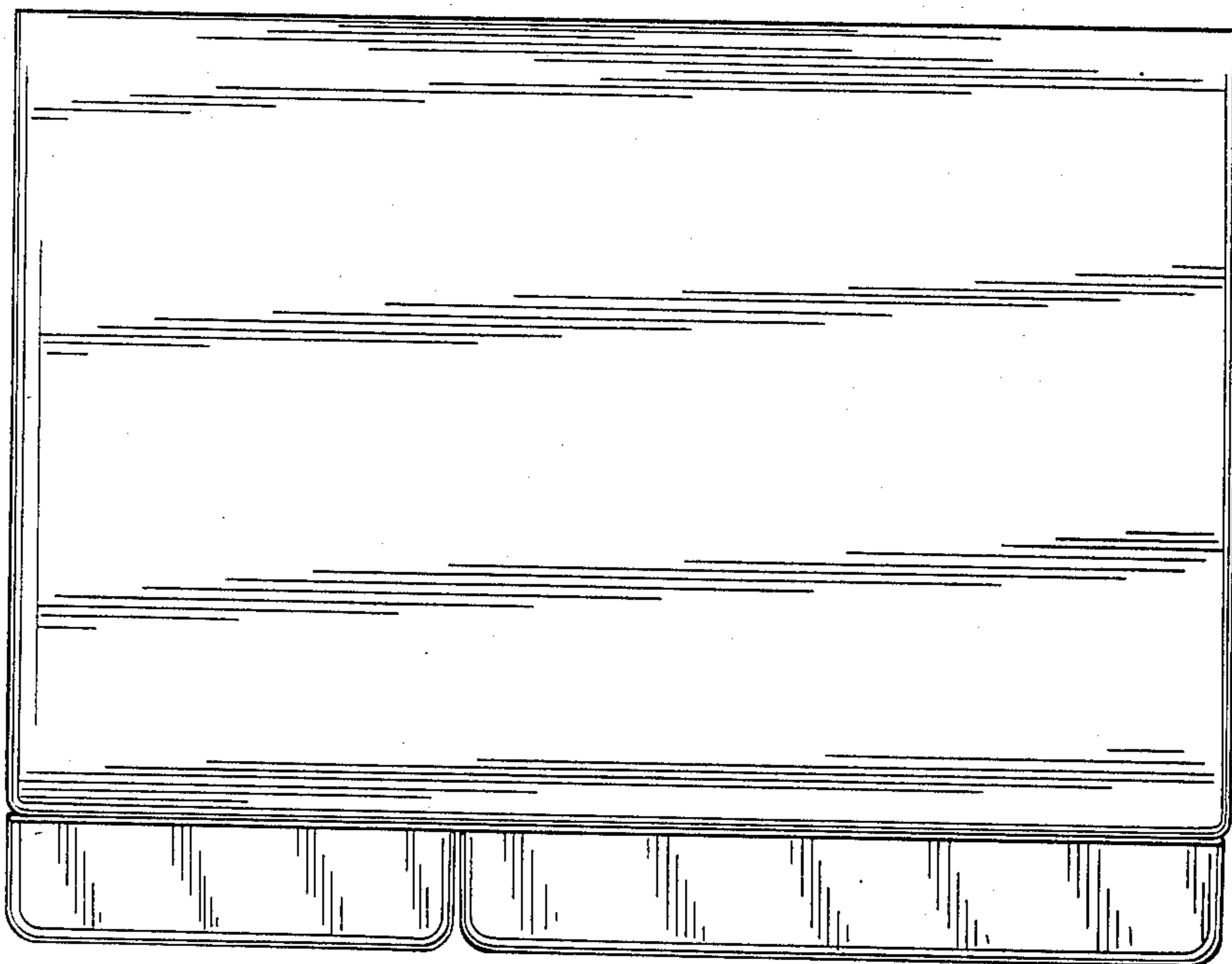


FIG. 5

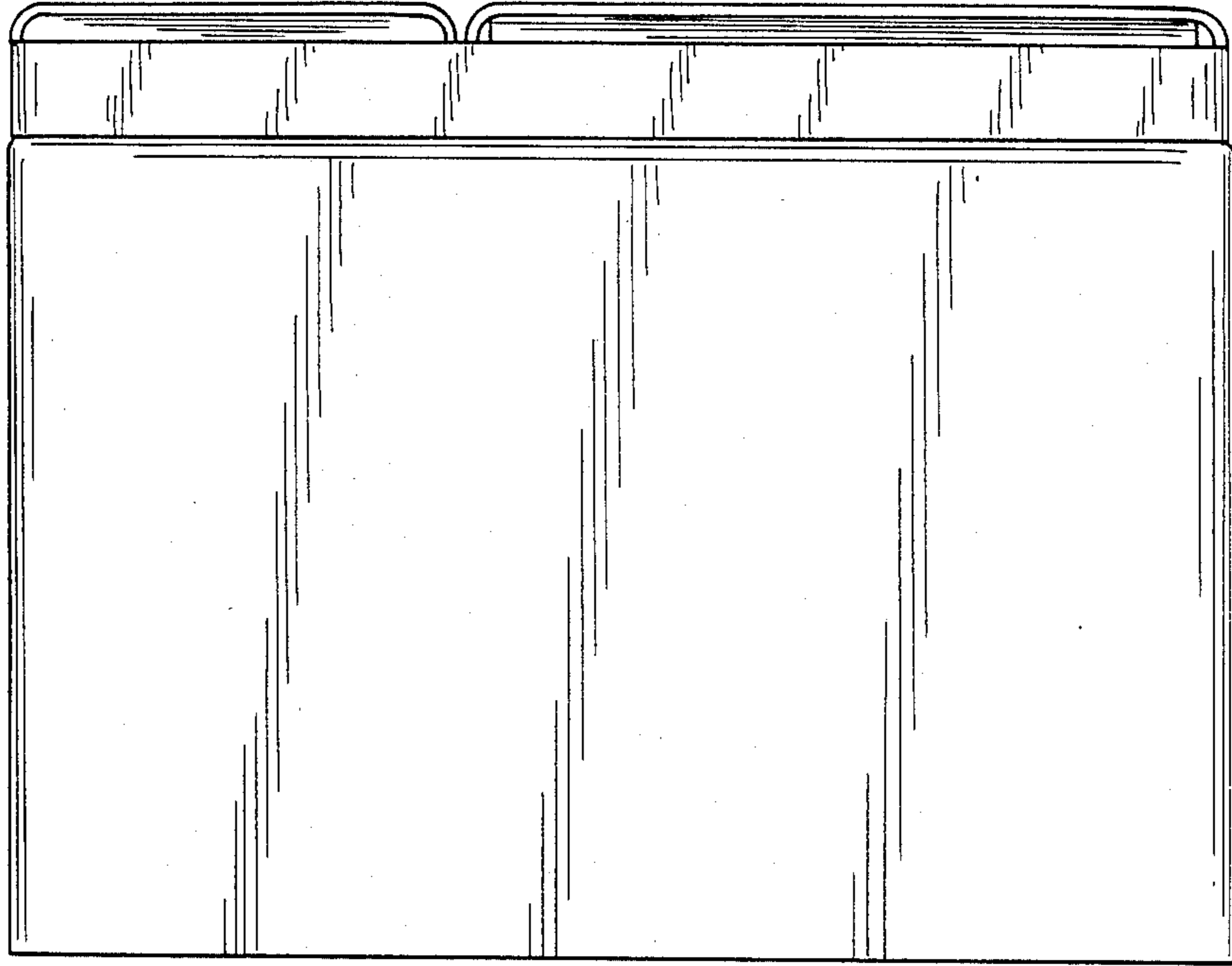


FIG. 6

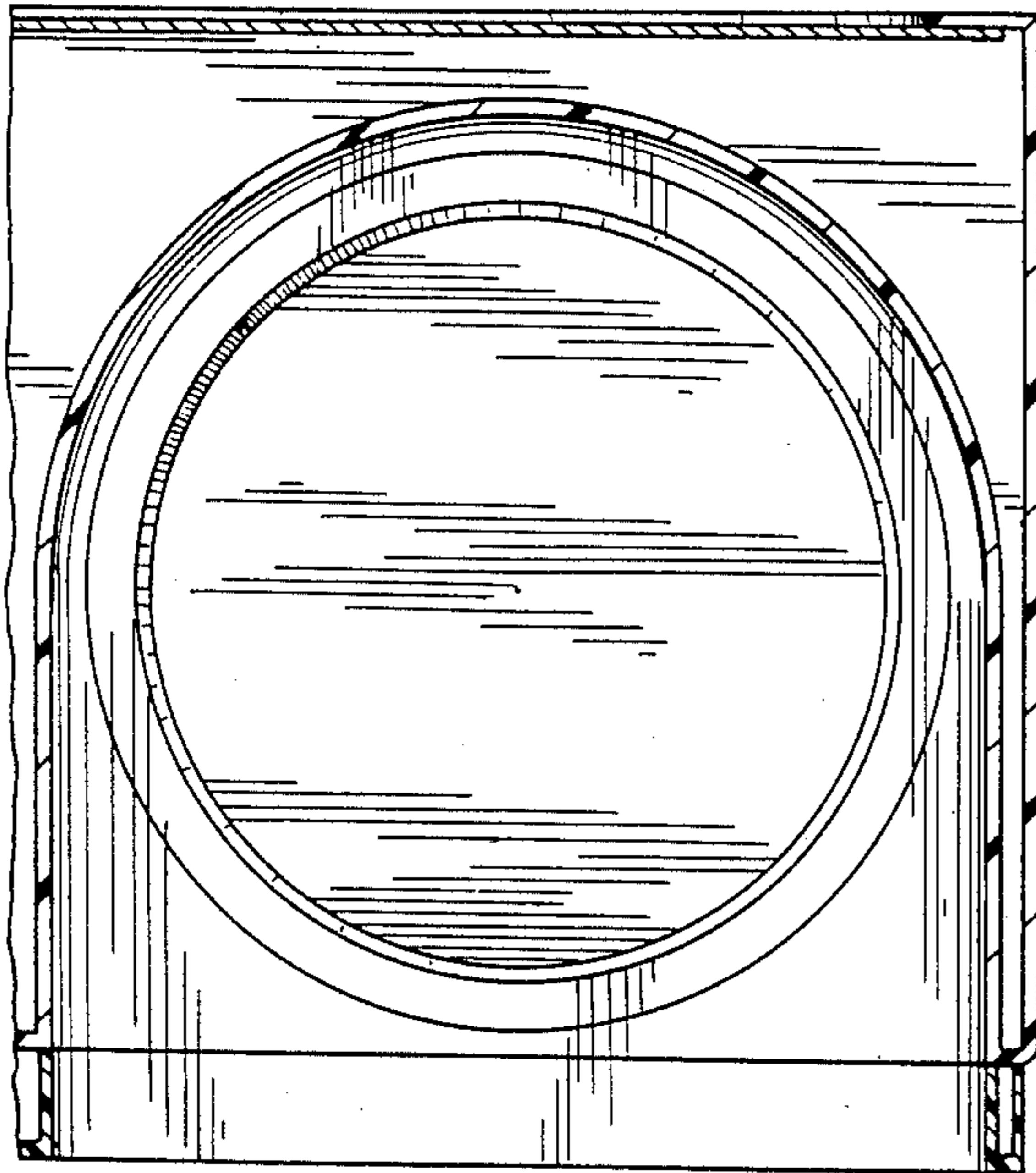


FIG. 7

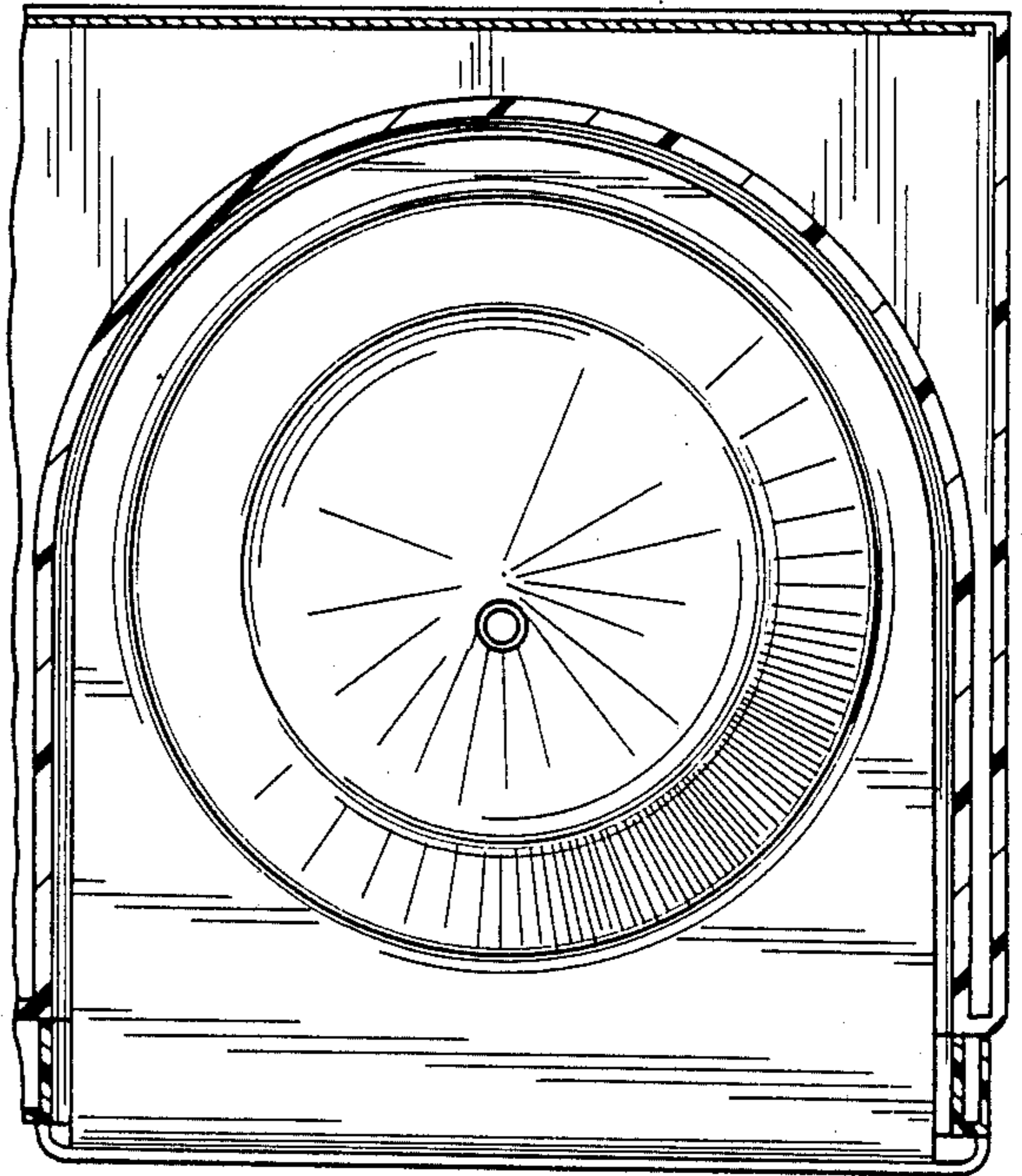


FIG. 8

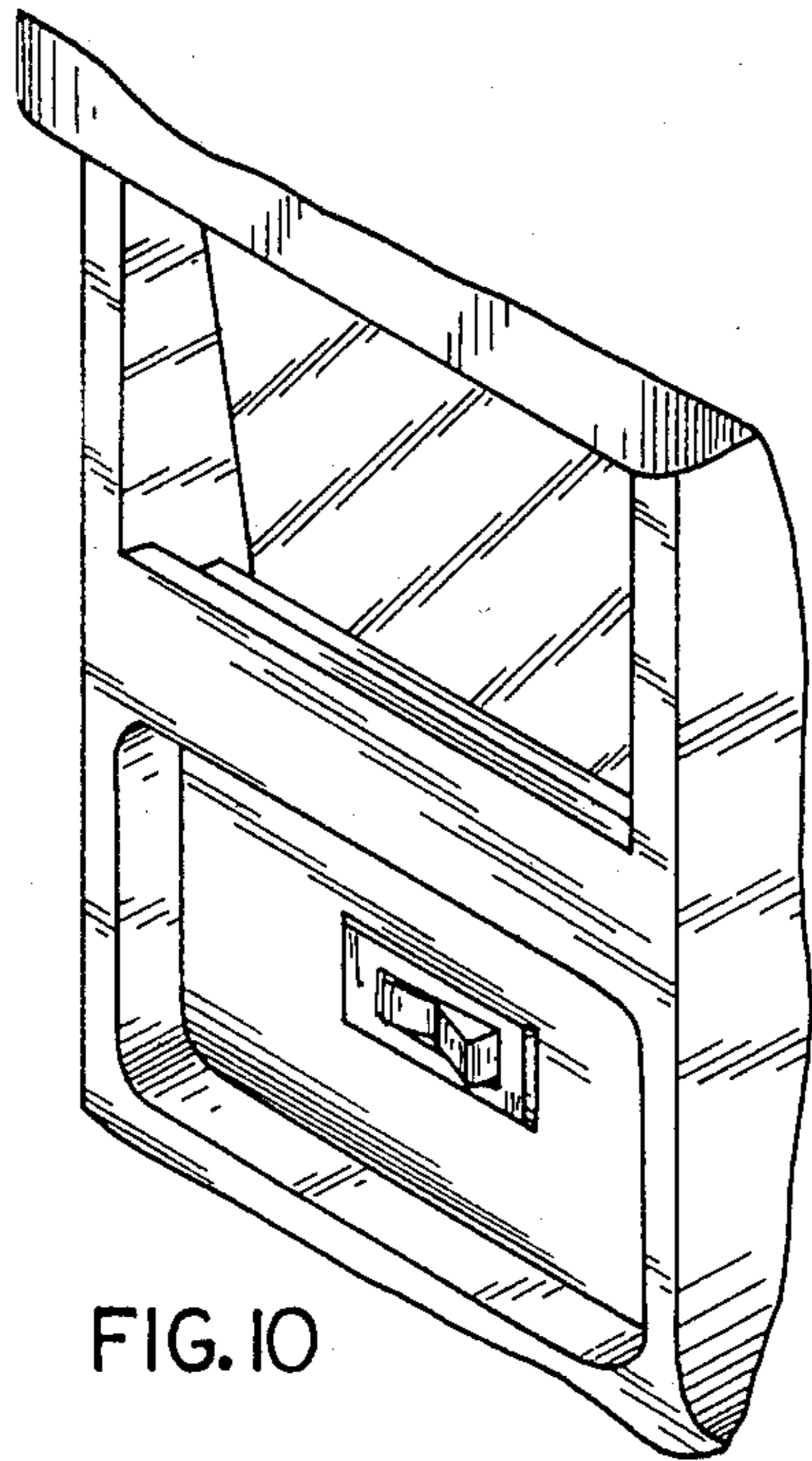


FIG. 10

FIG. 9

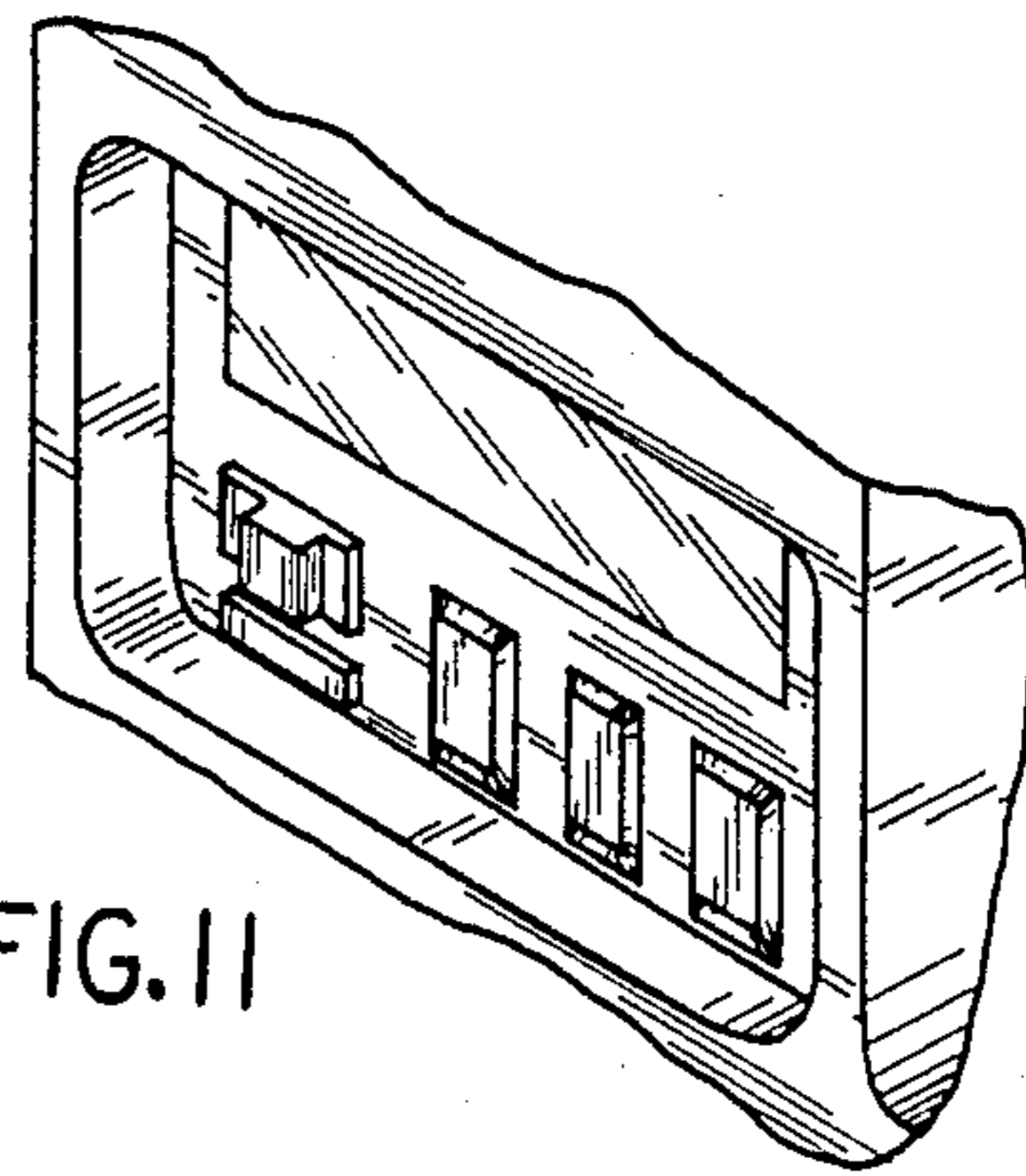


FIG. 11