

[54] FOLD UP BEVERAGE CONTAINER HOLDER

[76] Inventor: Robert R. Rasmussen, 1120 Grandview La., Lake Forest, Ill. 60045

[**] Term: 14 Years

[21] Appl. No.: 818,281

[22] Filed: Jan. 13, 1986

[52] U.S. Cl. D7/70

[58] Field of Search D7/70, 71; D9/455; 248/311.2, 346.1; 220/85 H

[56] References Cited

U.S. PATENT DOCUMENTS

1,302,125	4/1919	Bechoff et al.	248/311.2 X
1,742,237	1/1930	Daugherty	248/311.2
4,434,961	3/1984	Hoye	248/311.2
4,530,480	7/1985	Pratt	248/311.2

Primary Examiner—Bernard Ansher

Assistant Examiner—Terry Pfeffer

Attorney, Agent, or Firm—Mann, McWilliams, Zummer & Sweeney

[57] CLAIM

The ornamental design for fold up beverage container holder, as shown and described.

DESCRIPTION

FIG. 1 is a front, top, left side perspective view of a fold up beverage container holder showing my new design; FIG. 2 is a top plan view thereof; FIG. 3 is a left side elevational view thereof, the opposite side being a mirror image; FIG. 4 is a front elevational view thereof; FIG. 5 is a rear elevational view thereof; FIG. 6 is a bottom plan view thereof; FIG. 7 is a front, top, left side perspective view of a second embodiment of that shown in FIG. 1; FIG. 8 is a top plan view of that shown in FIG. 7; FIG. 9 is a left side elevational view of that shown in FIG. 7, the opposite side being a mirror image; FIG. 10 is a front elevational view of that shown in FIG. 7; FIG. 11 is a rear elevational view of that shown in FIG. 7; and FIG. 12 is a bottom plan view of that shown in FIG. 7. The broken line showing of the can in FIGS. 1 and 7 is for illustrative purposes only.

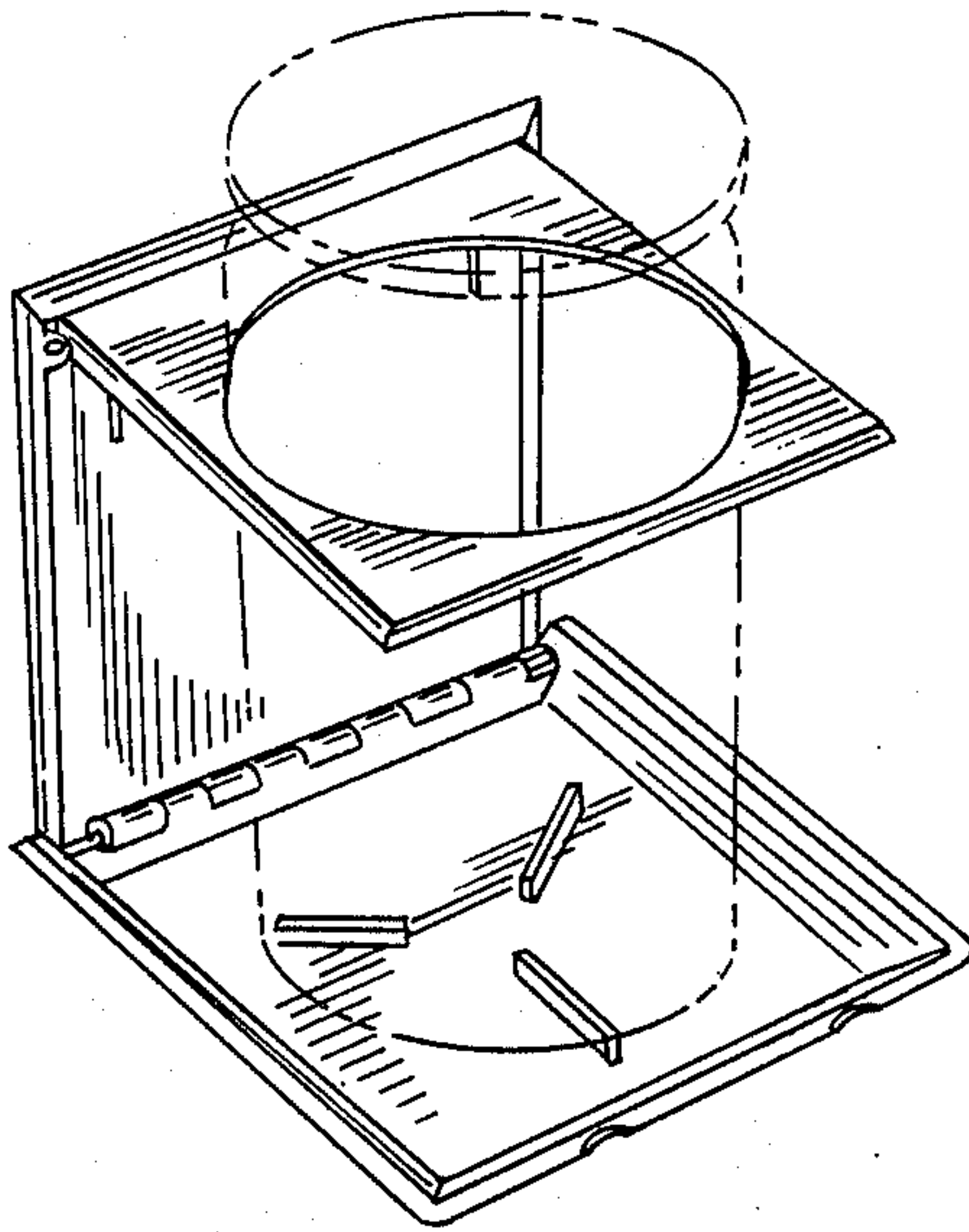


FIG. 1

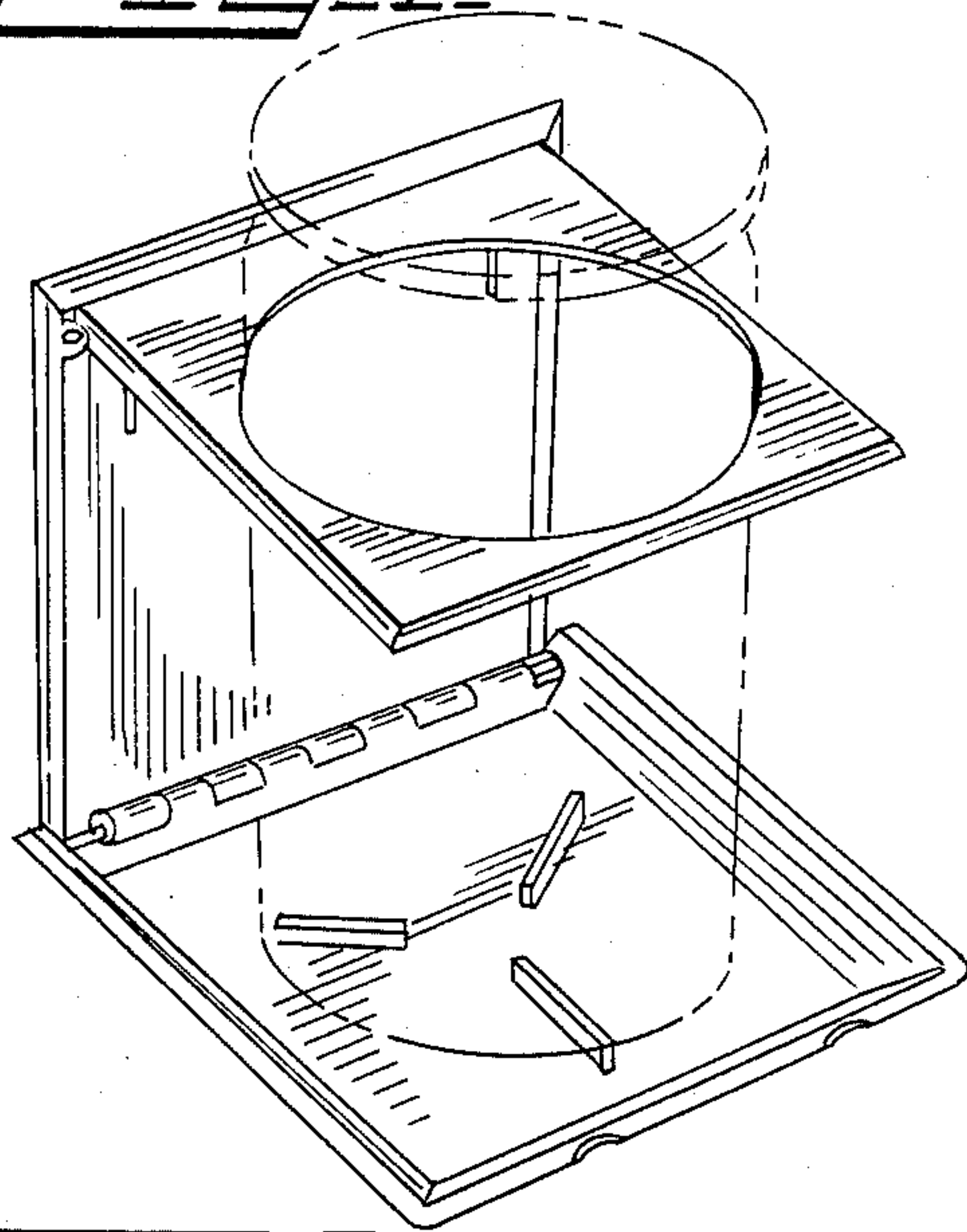


FIG. 2

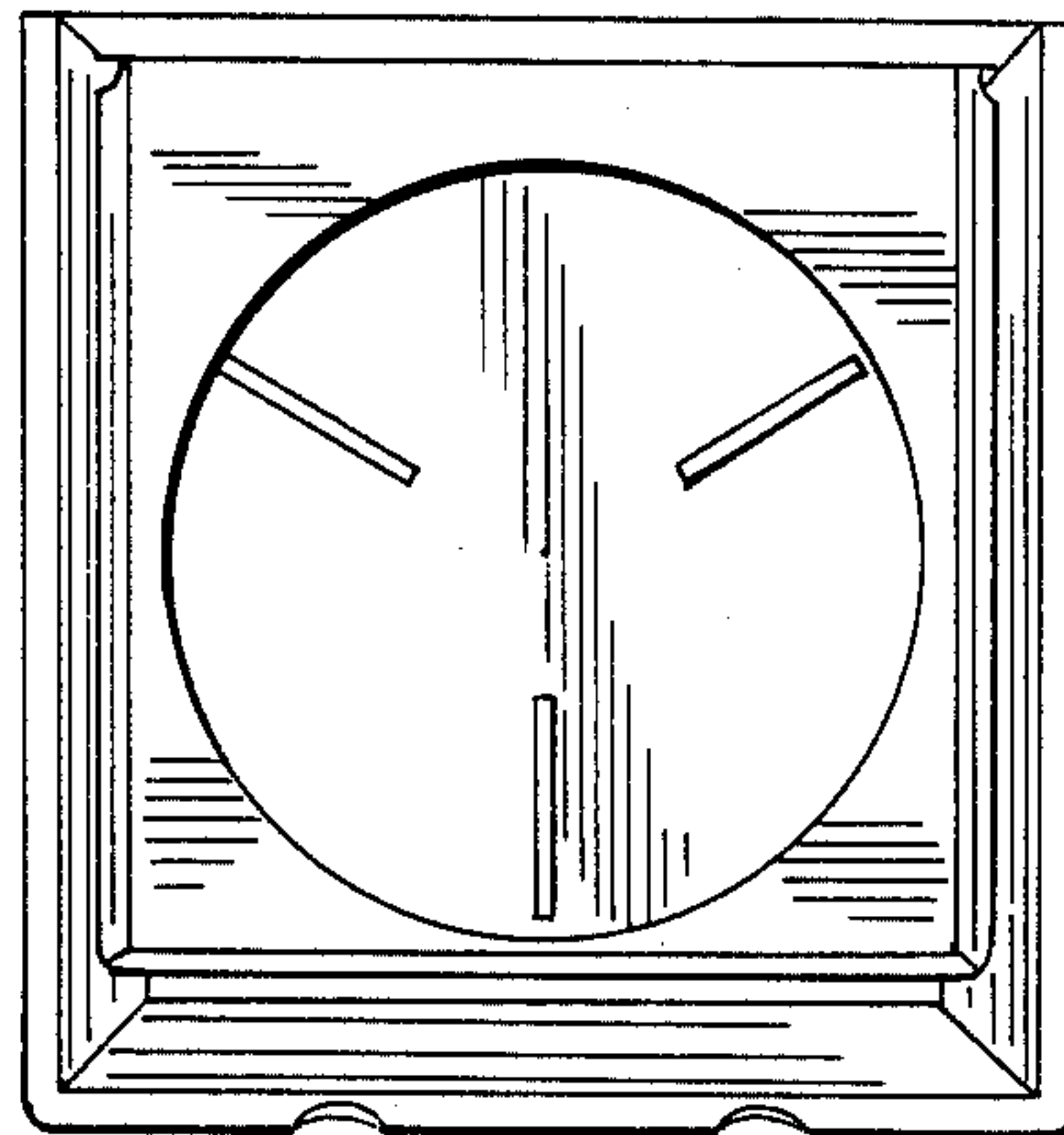


FIG. 3

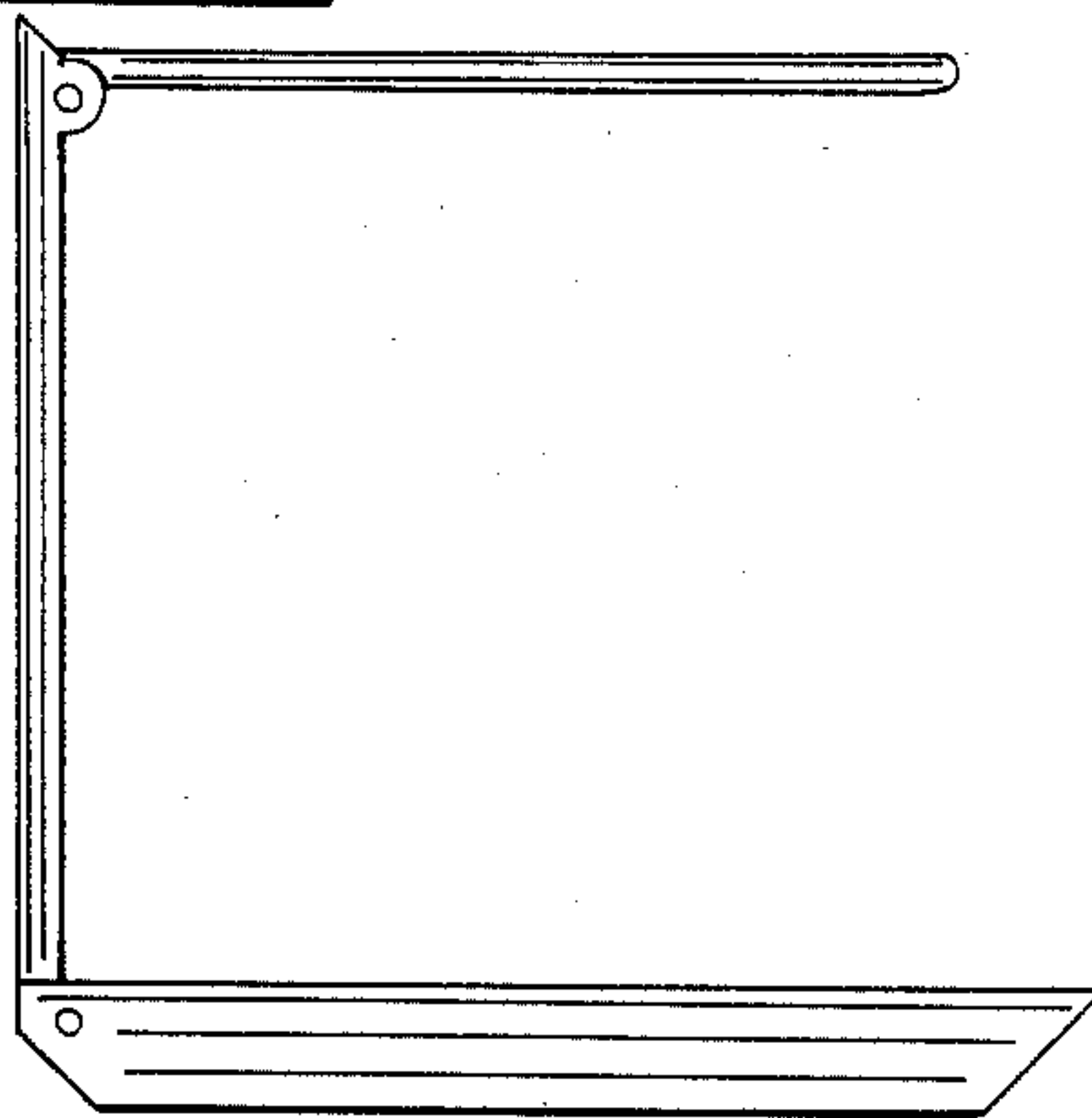


FIG. 4

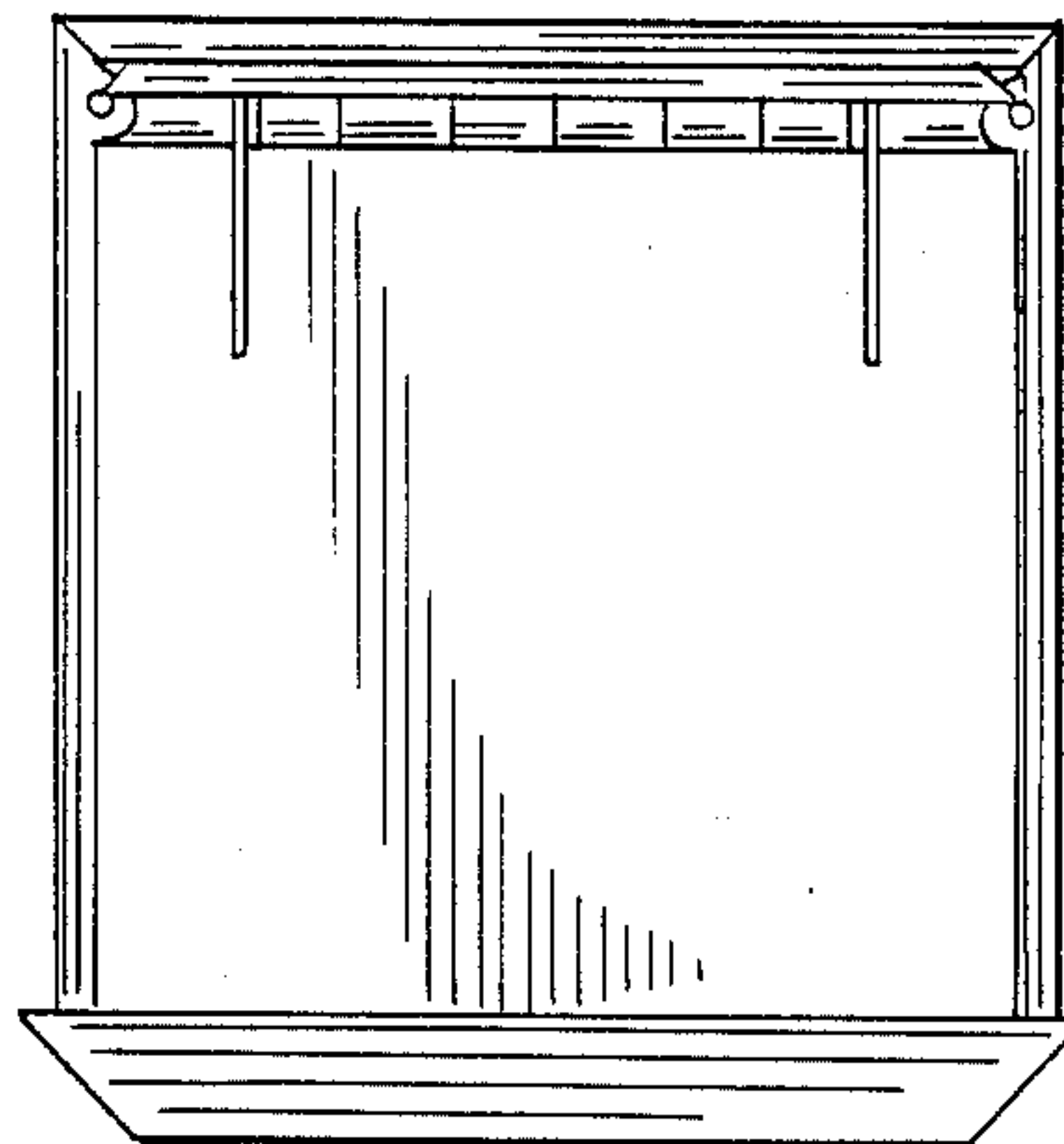


FIG. 5

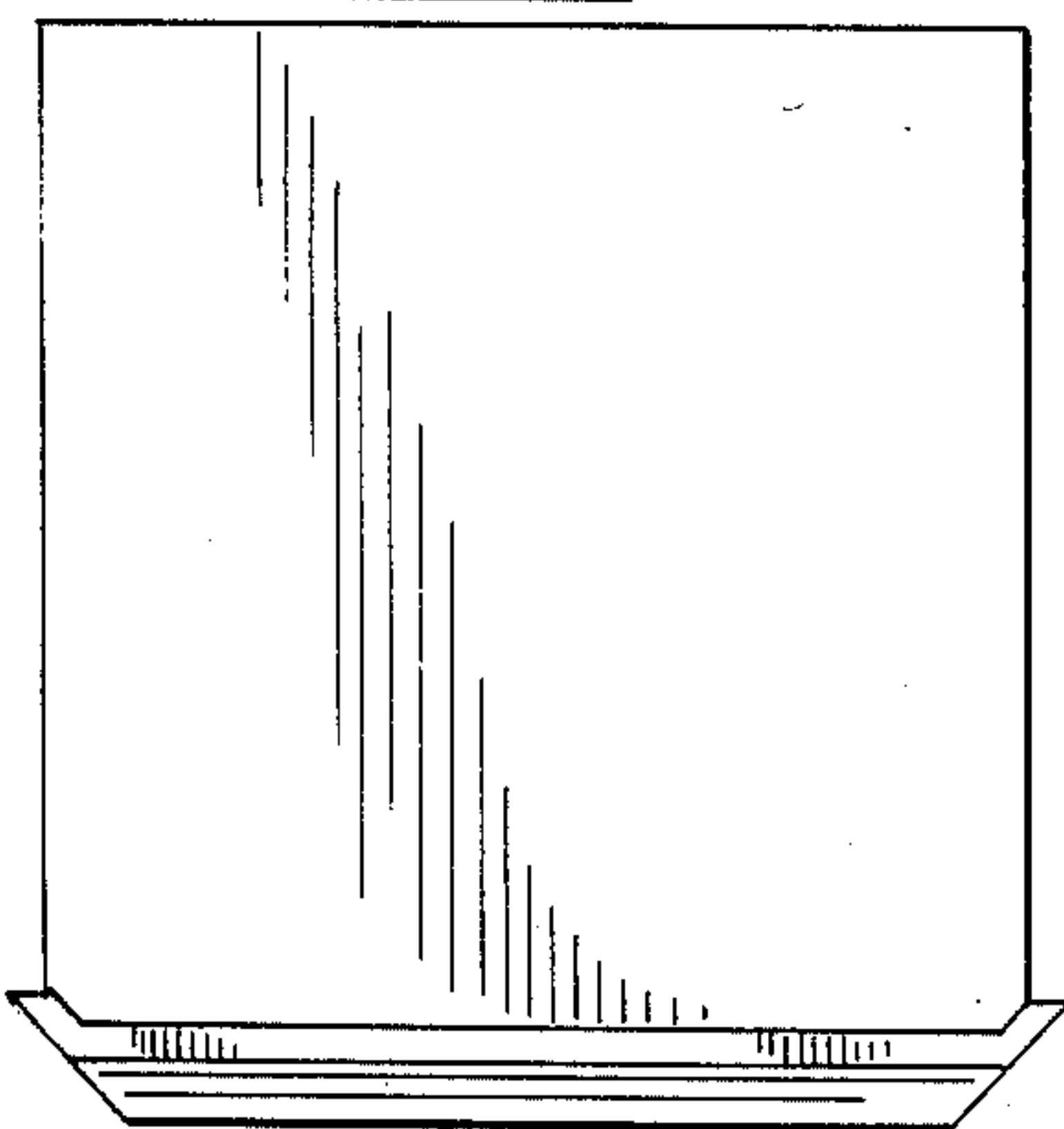


FIG. 6

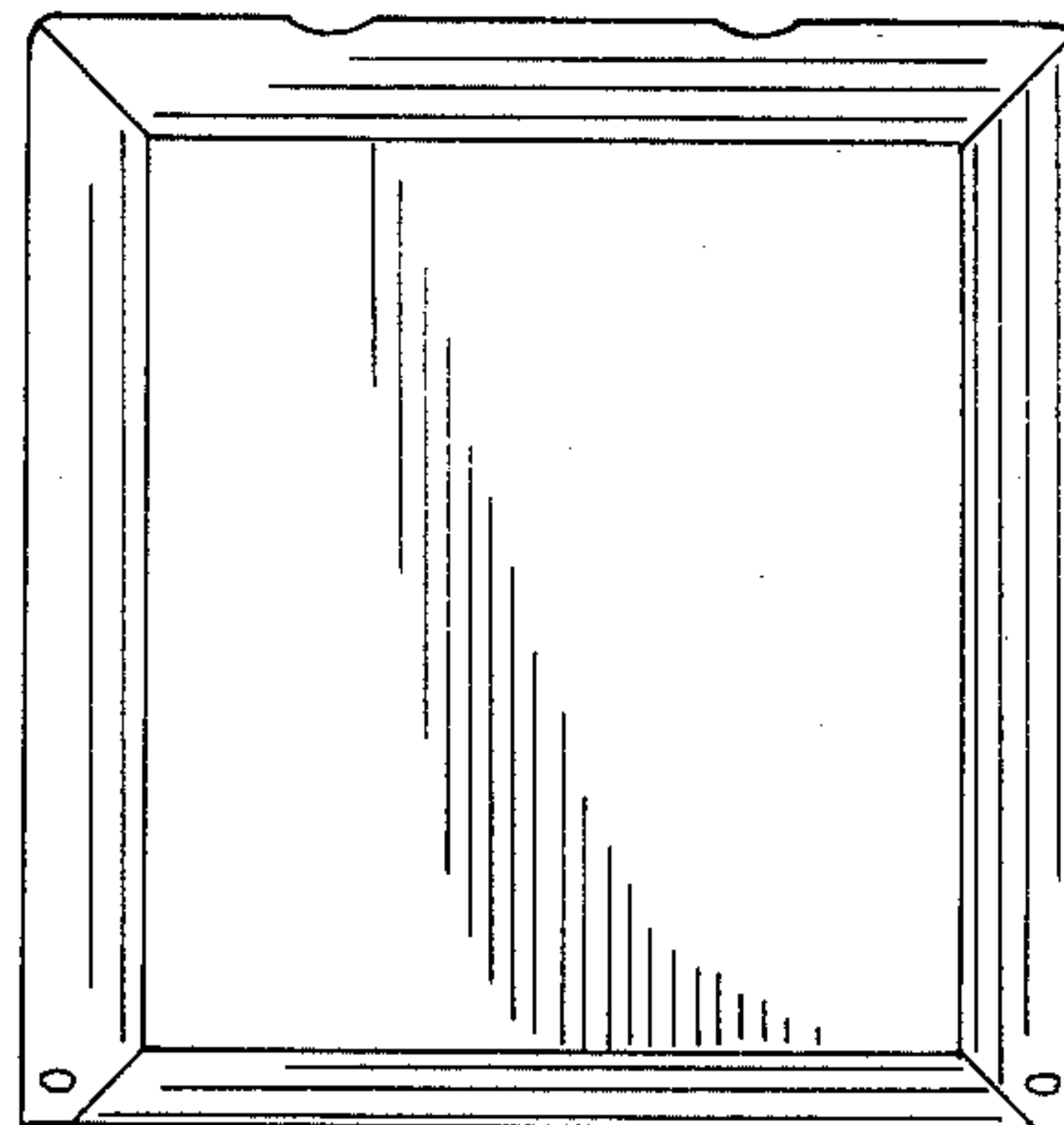


FIG. 7

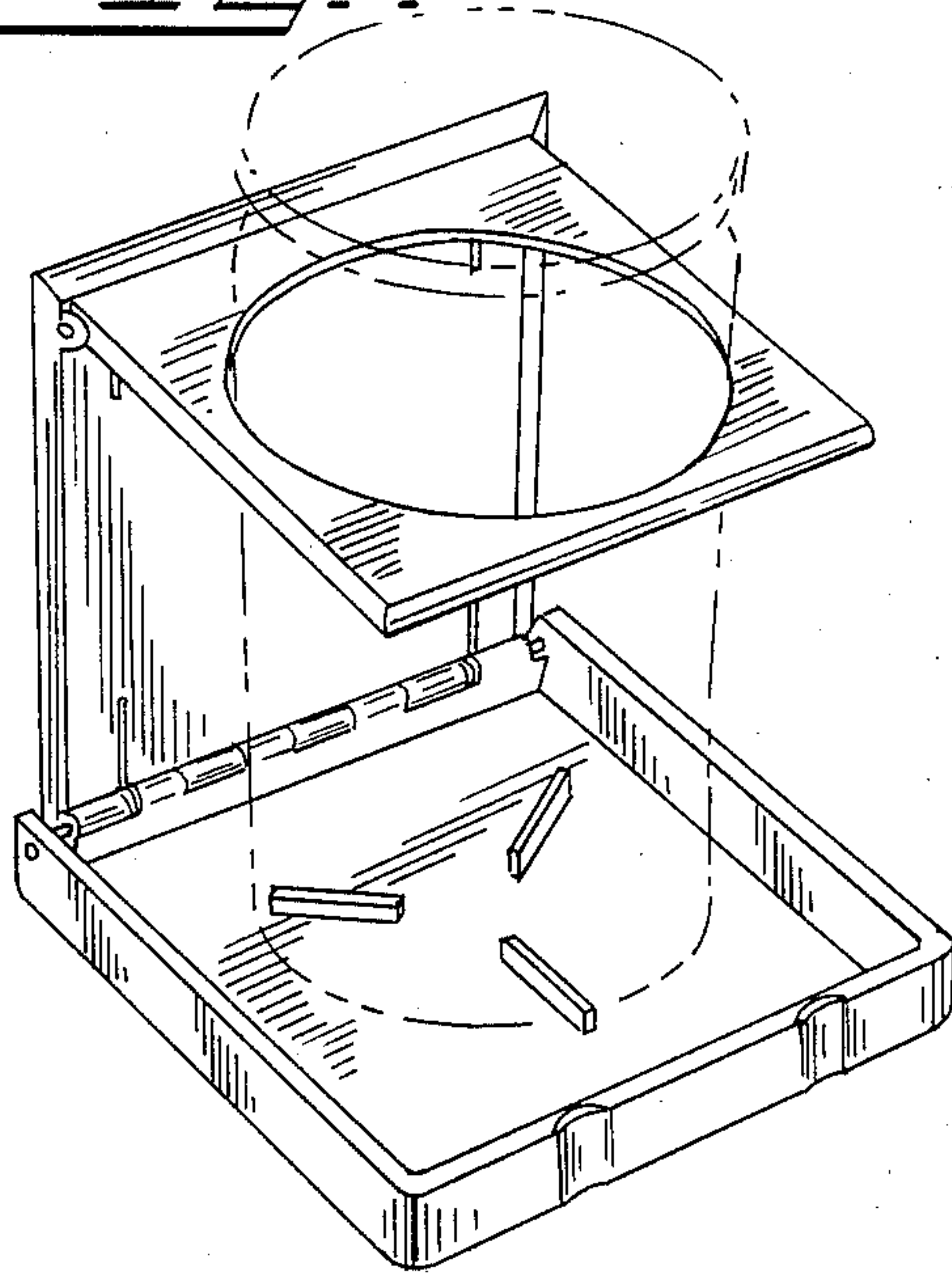


FIG. 8

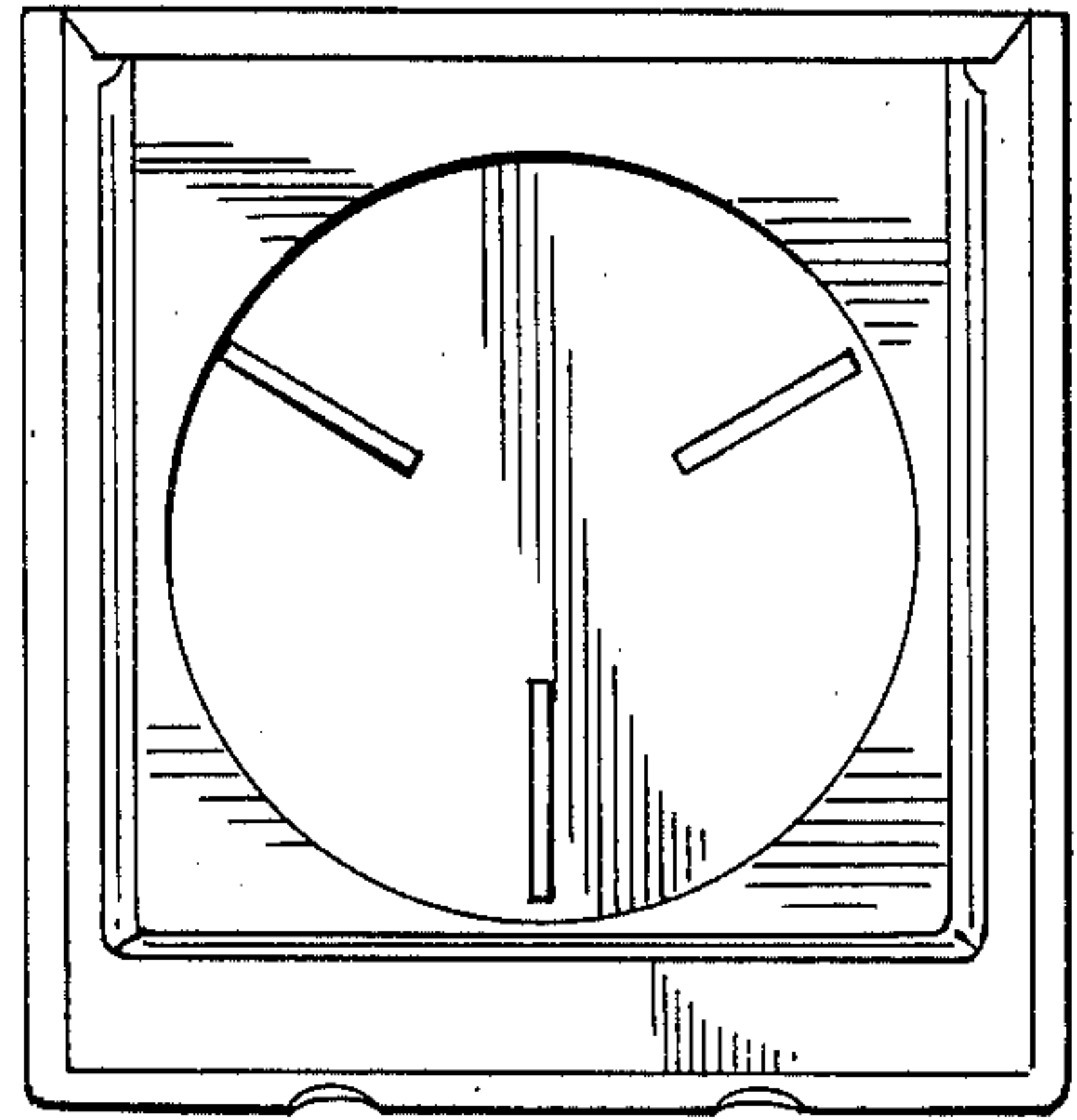


FIG. 9

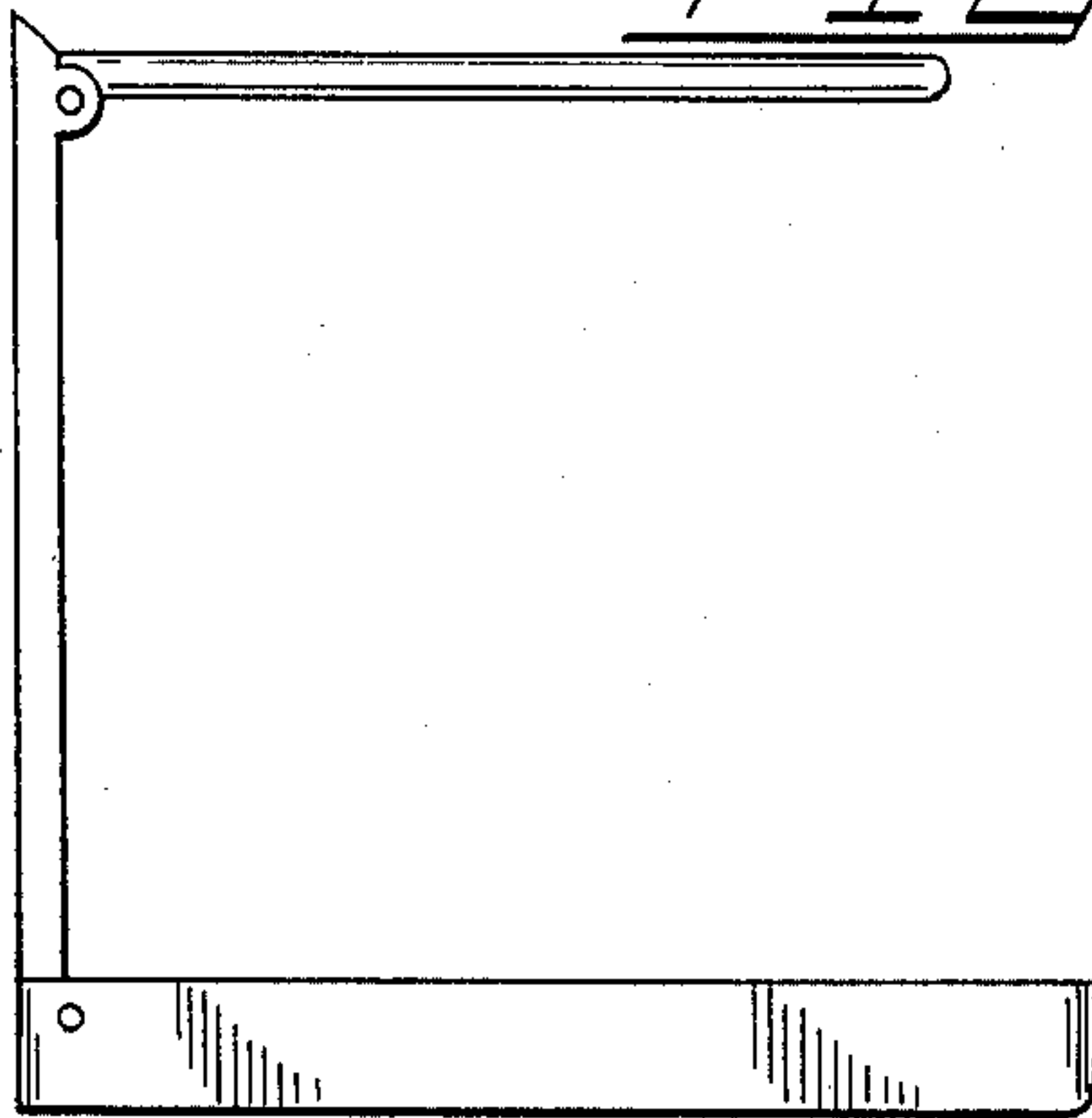


FIG. 10

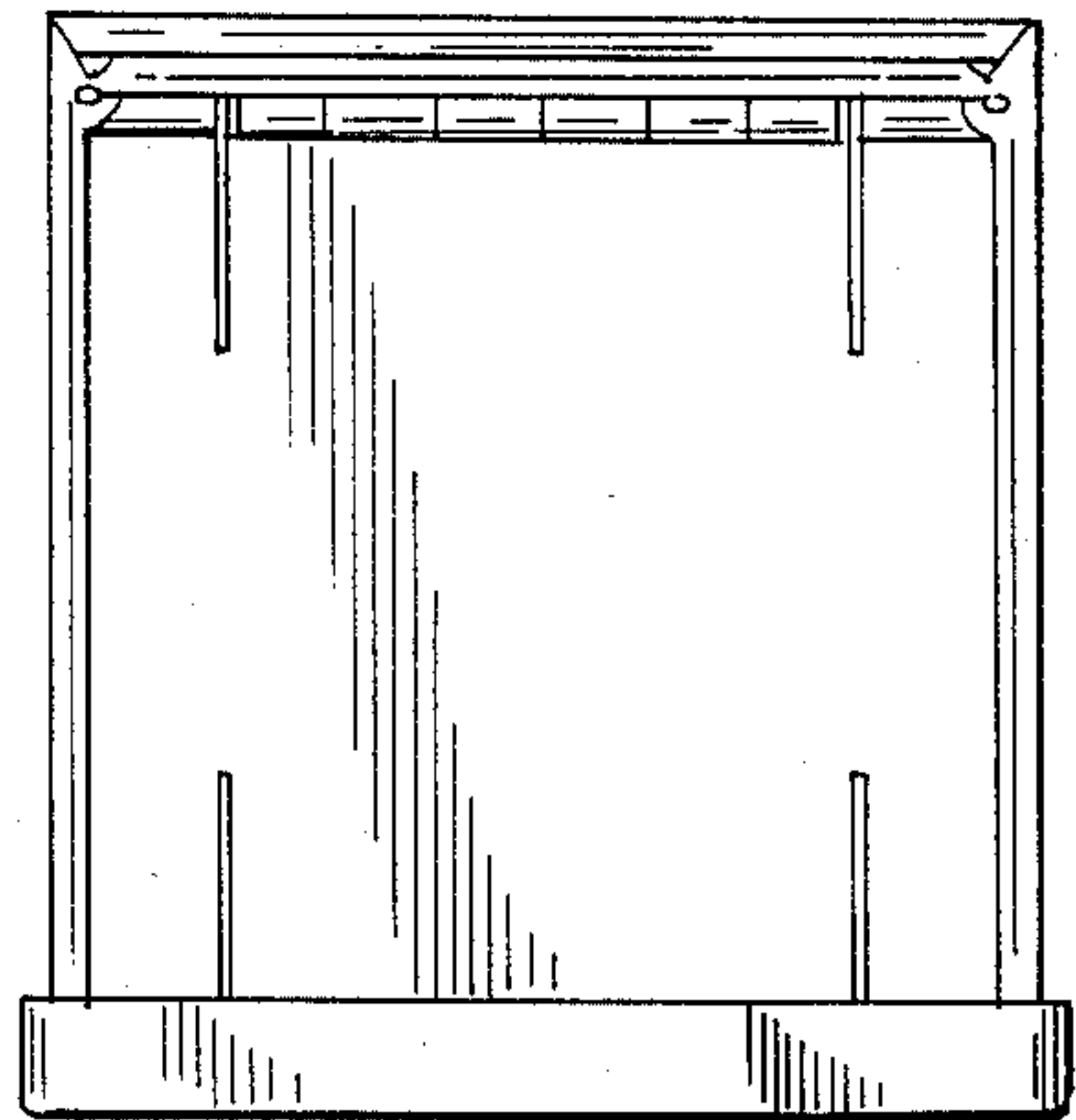


FIG. 11

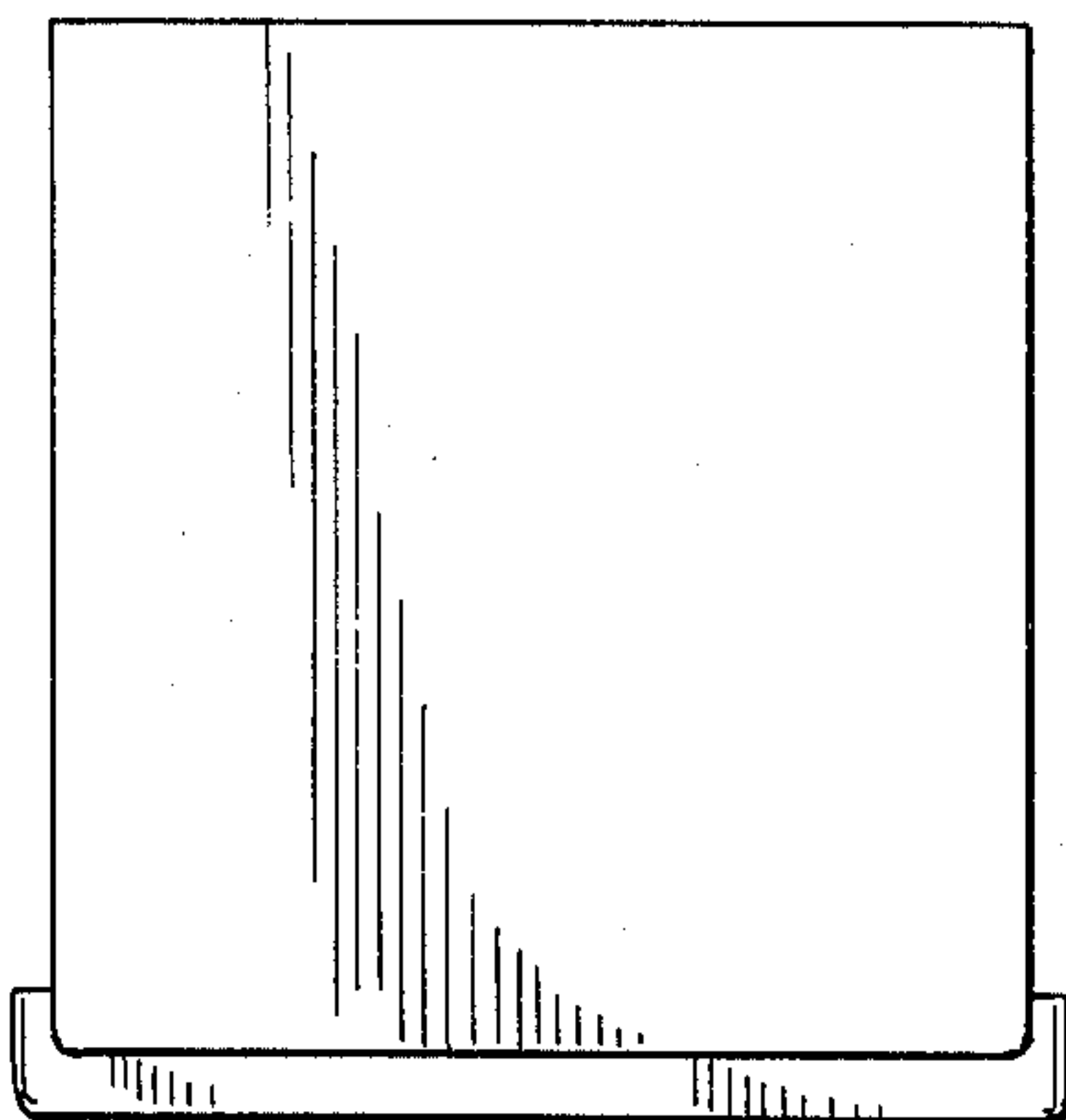


FIG. 12

