

United States Patent [19]

Vignale

[11] Patent Number: **Des. 299,894**

[45] Date of Patent: **** Feb. 21, 1989**

[54] **TOWEL BAR ATTACHED SHELF**

[76] Inventor: **Grace M. Vignale, 355 Garden St.,
Deland, Fla. 32720**

[**] Term: **14 Years**

[21] Appl. No.: **150,720**

[22] Filed: **Feb. 1, 1988**

Related U.S. Application Data

[63] Continuation of Ser. No. 143,359, Jan. 12, 1988.

[52] U.S. Cl. **D6/574**

[58] Field of Search **D6/524, 546, 553, 567,
D6/574; 108/27, 149, 152; 211/13, 16, 35, 88,
90, 126, 134**

[56] References Cited

U.S. PATENT DOCUMENTS

D. 252,362 7/1979 Mayes et al. **D6/573**

D. 253,503 11/1979 Albert **D6/527**
D. 294,442 3/1988 Bordian **D6/569 X**

OTHER PUBLICATIONS

Karmel Plastics catalogue (1981) p. 8, No. 871-Shelf.

Primary Examiner—Wallace R. Burke

Assistant Examiner—Brian N. Vinson

Attorney, Agent, or Firm—Duckworth, Allen, Dyer &
Doppelt

[57] CLAIM

The ornamental design for a towel bar attached shelf, as shown and described.

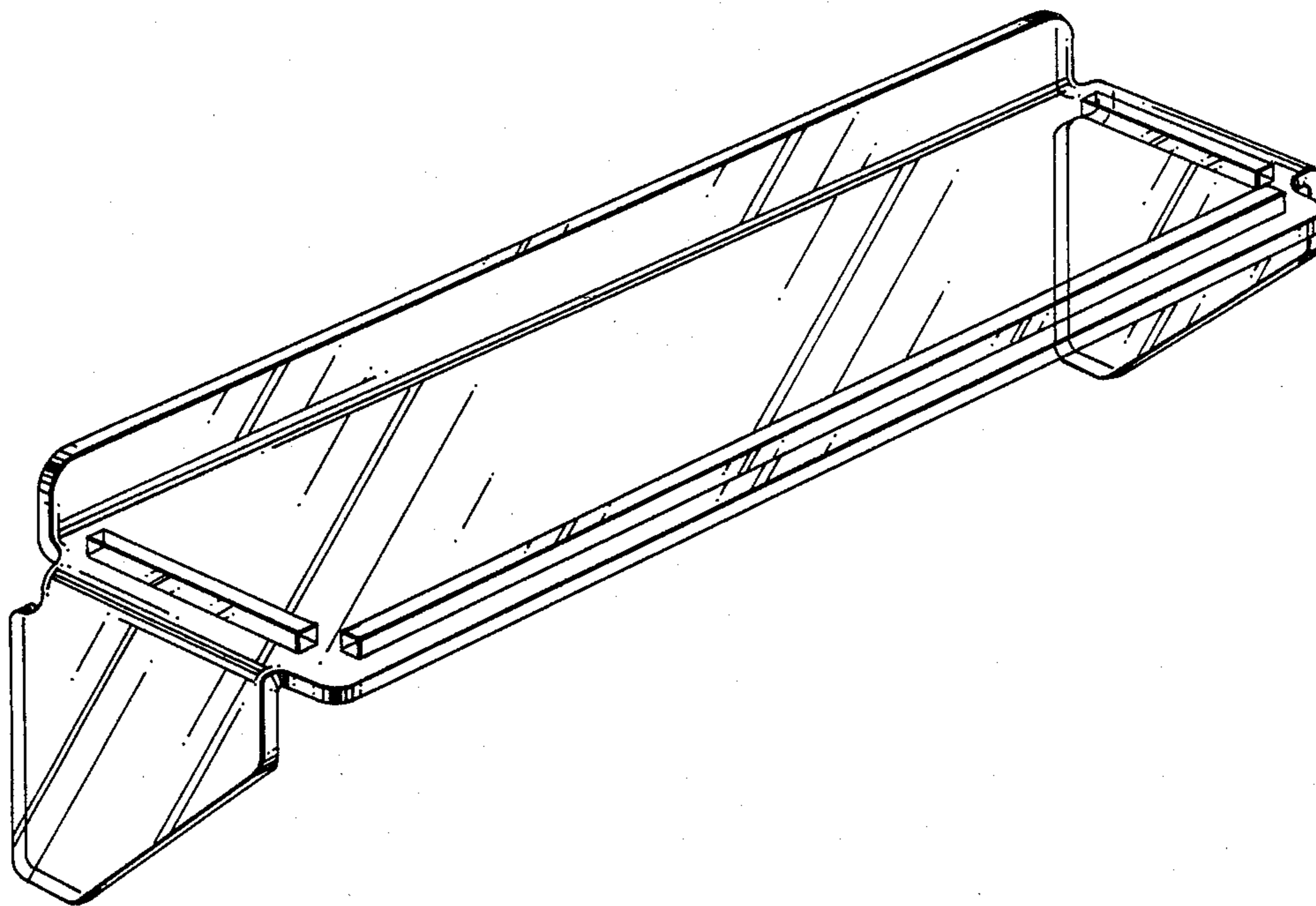
DESCRIPTION

FIG. 1 is a perspective view of a towel bar attached shelf showing my new design;

FIG. 2 is a right side elevational view thereof, the left side being a mirror image of that shown;

FIG. 3 is a rear elevational view thereof; and,

FIG. 4 is a bottom plan view thereof.



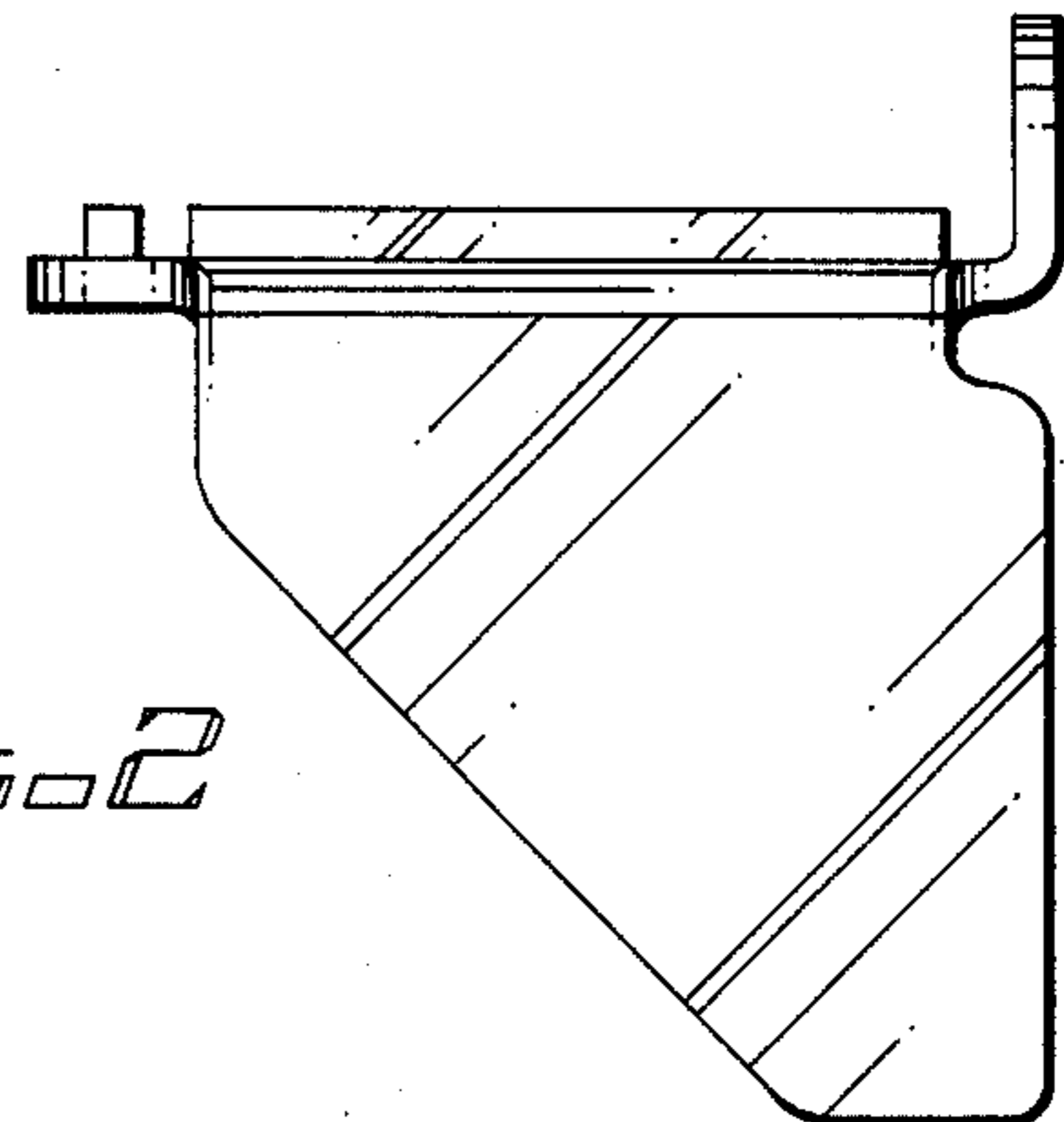
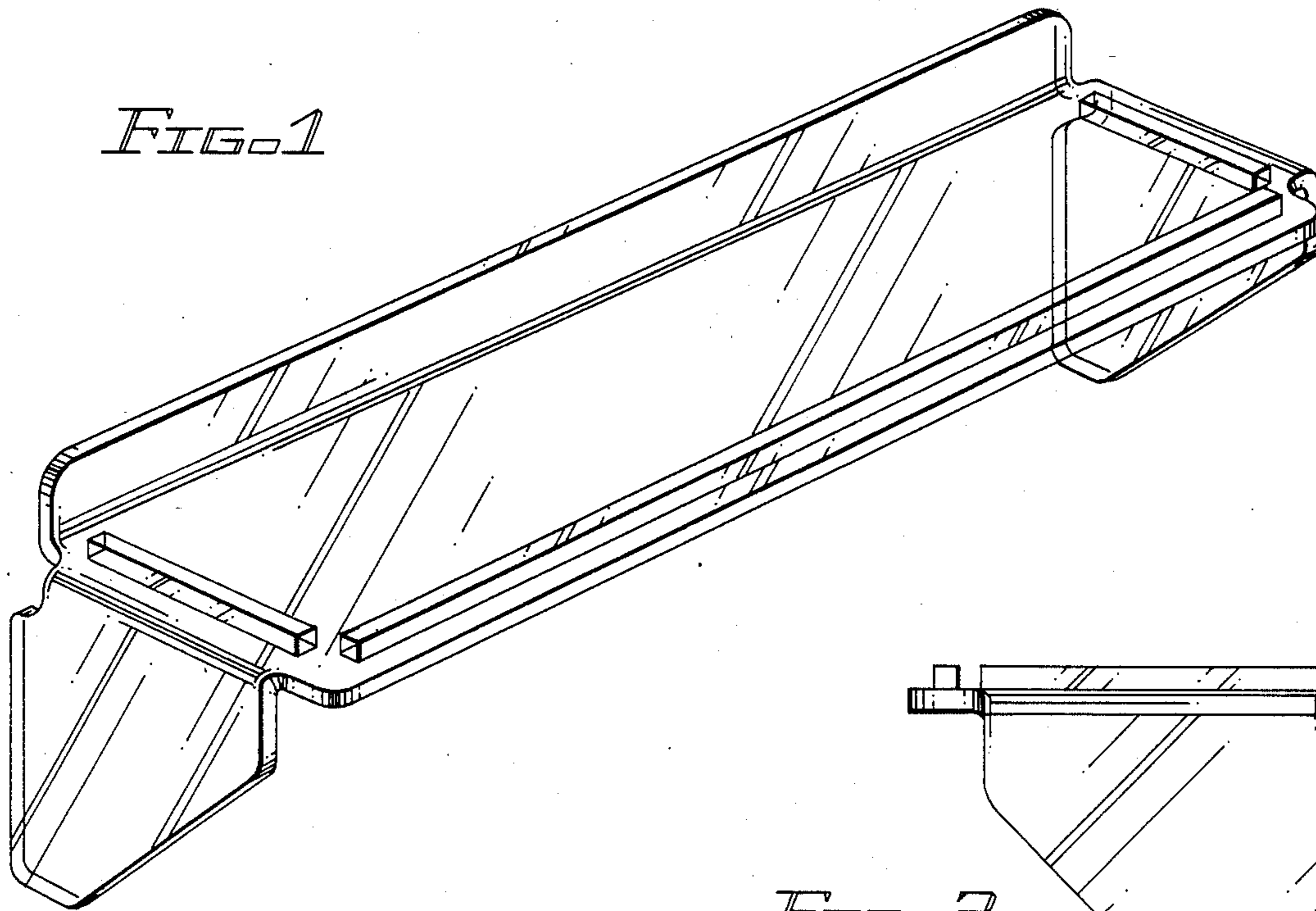


FIG. 3

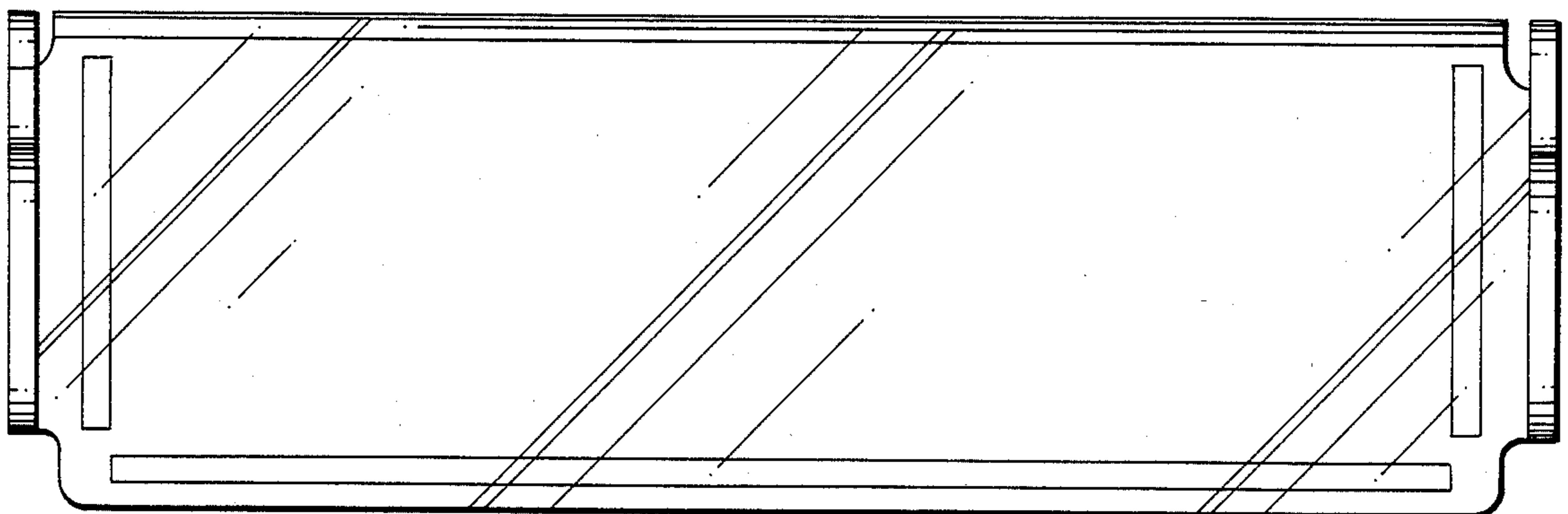
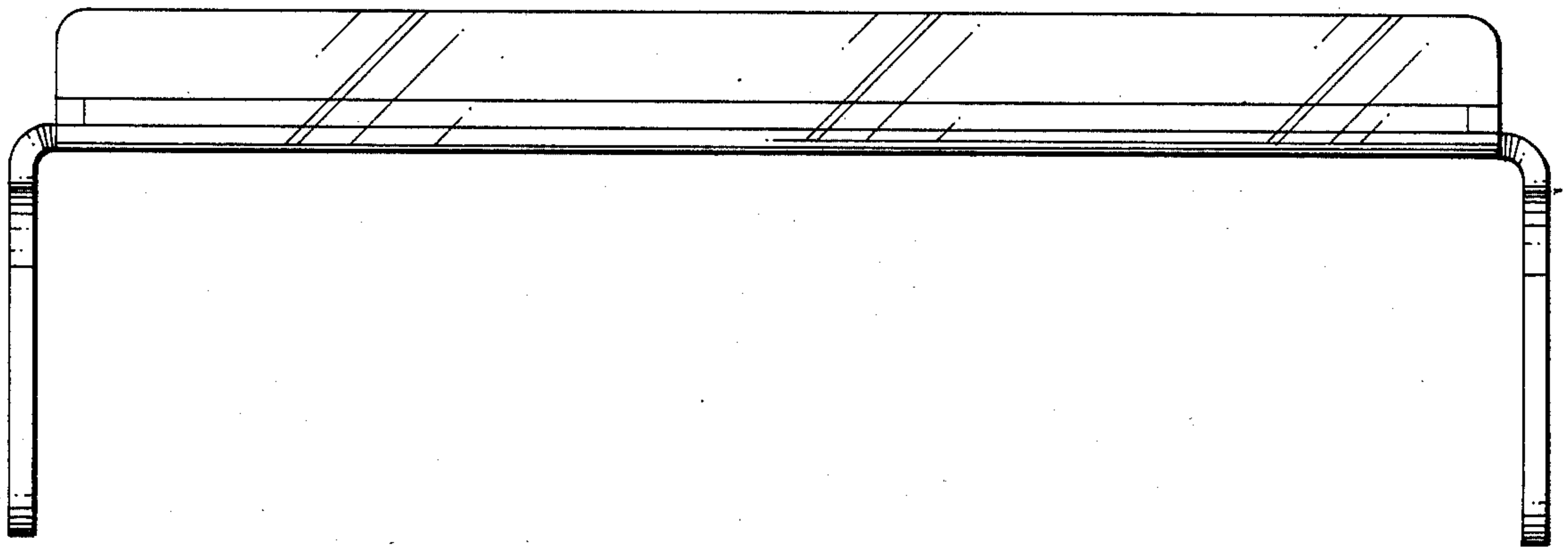


FIG. 4