

[54] ELECTRO-THERAPEUTIC APPLICATOR FOR USE WITH AN ELECTRONIC CIRCUIT TO LOCATE AND STIMULATE ACUPUNCTURE POINTS

4,112,923	9/1978	Tomecek	128/735
4,160,447	7/1977	Teshima et al.	128/735
4,180,079	12/1977	Wing	128/707 X
4,408,617	10/1983	Auguste	128/735
4,494,554	9/1985	Van Dyke et al.	128/734
4,535,784	8/1985	Rohlick et al.	128/735

[75] Inventors: Ronnie H. Colsen; Alexandre V. Kairis, both of Tokyo, Japan

FOREIGN PATENT DOCUMENTS

[73] Assignee: Waco Trading Corporation, Tokyo, Japan

2418646	2/1979	France	128/735
2430225	7/1980	France	128/907
1126634	9/1968	United Kingdom	128/735

[**] Term: 14 Years

Primary Examiner—Wallace R. Burke
Assistant Examiner—Stella M. Reid
Attorney, Agent, or Firm—Morgan & Finnegan

[21] Appl. No.: 930,378

[22] Filed: Nov. 12, 1986

[57] CLAIM

Related U.S. Application Data

The ornamental design for an electro-therapeutic applicator for use with an electronic circuit to locate and stimulate acupuncture points, as shown and described.

[63] Continuation-in-part of Ser. No. 825,919, Feb. 4, 1986, Pat. No. 4,694,840, which is a continuation-in-part of Ser. No. 601,167, Apr. 17, 1984, abandoned.

DESCRIPTION

[52] U.S. Cl. D24/41; D24/40
[58] Field of Search D24/40, 36, 41; 128/1.3, 735, 734, 707, 419 R, 419 PG, 800, 801, 303.13, 907

FIG. 1 is a perspective view of an electro-therapeutic applicator for use with an electronic circuit to locate and stimulate acupuncture points, showing our new design;

[56] References Cited

U.S. PATENT DOCUMENTS

D. 156,218	11/1949	Curtis	D24/41
D. 294,864	3/1988	Gialanella	D24/41 X
3,207,151	9/1965	Takagi	128/419 R
3,894,532	7/1975	Morey	128/735

FIG. 2 is a side elevational view thereof;

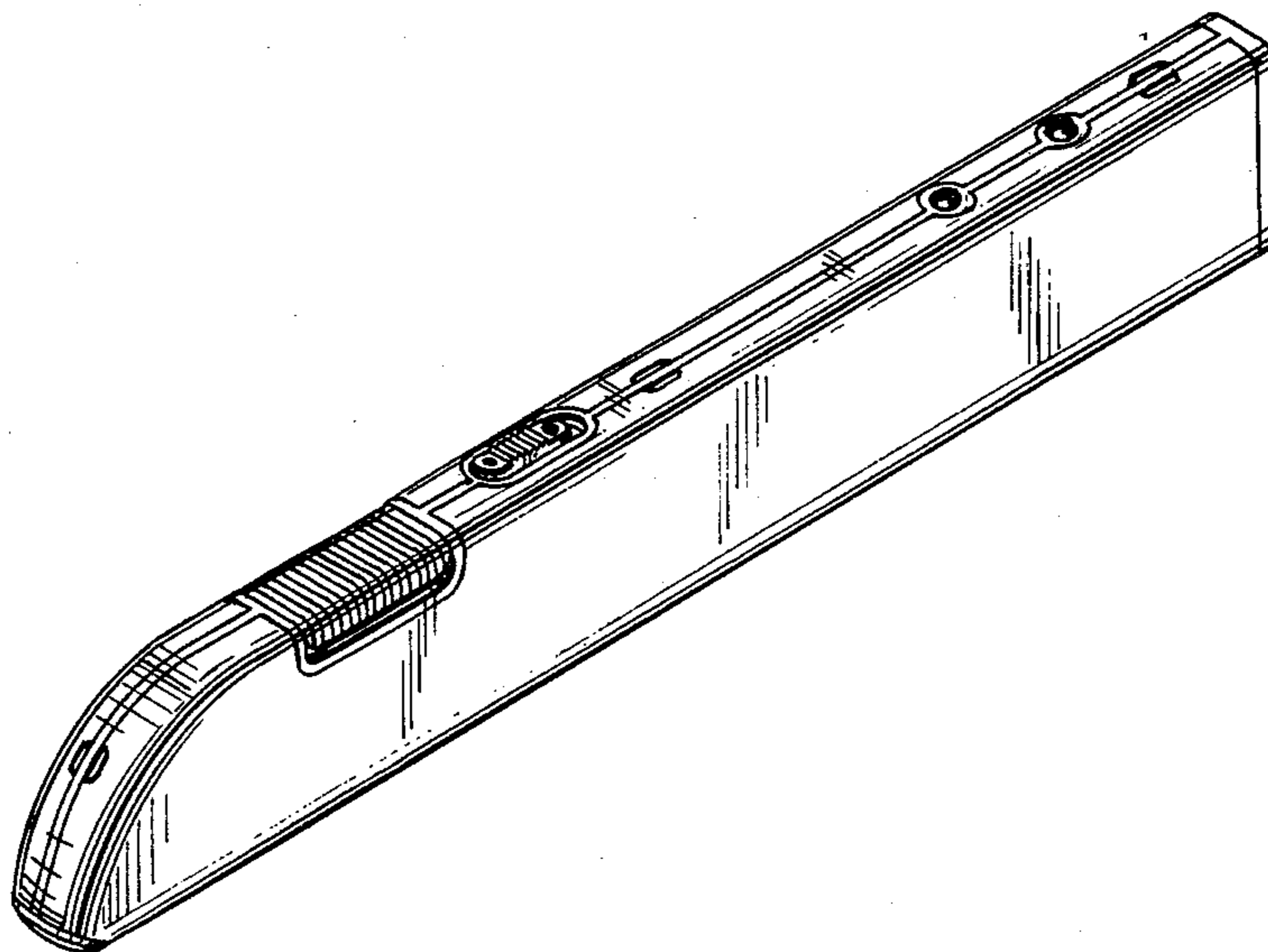
FIG. 3 is a top plan view thereof;

FIG. 4 is a side elevational view thereof, opposite that shown in FIG. 2;

FIG. 5 is a bottom plan view thereof;

FIG. 6. is a front end elevational view thereof; and

FIG. 7 is a rear end elevational view thereof.



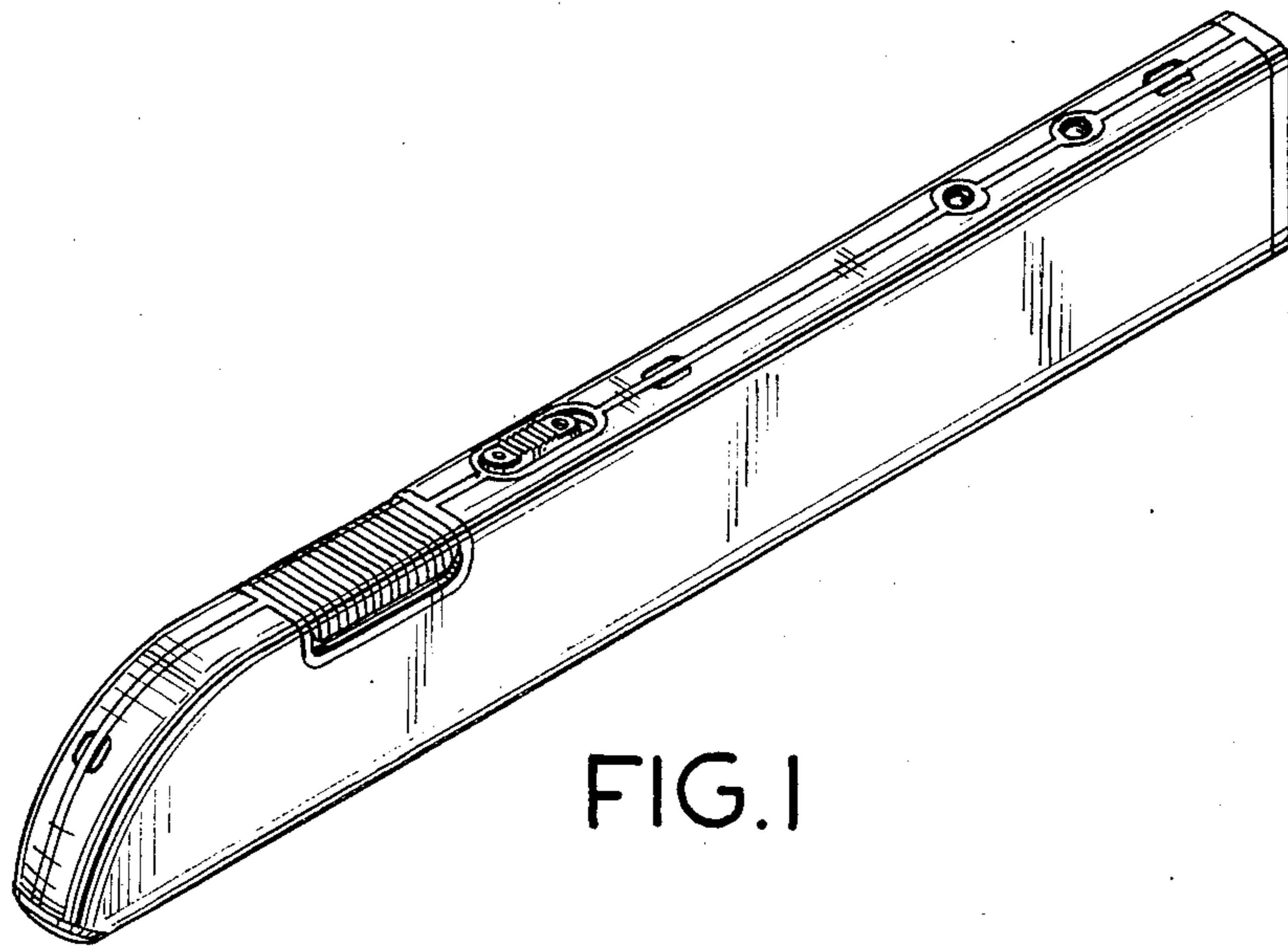


FIG. 1

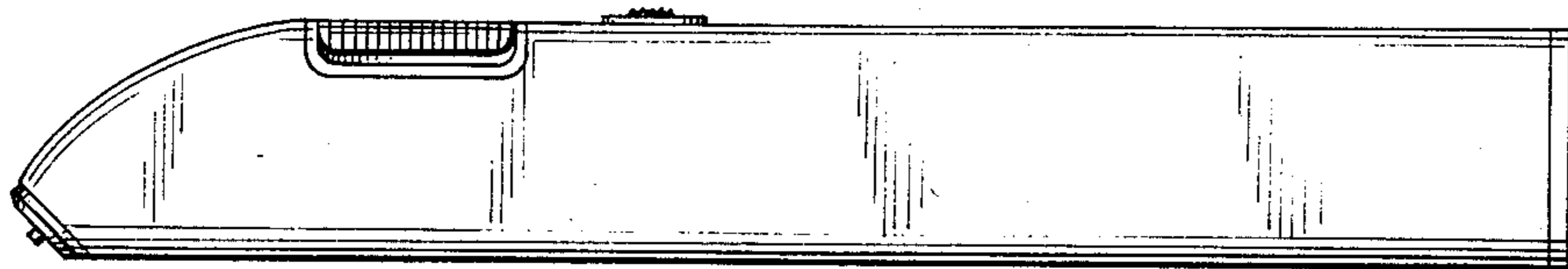


FIG. 2

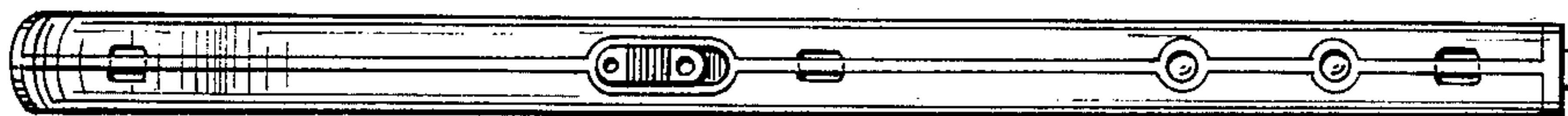


FIG. 3

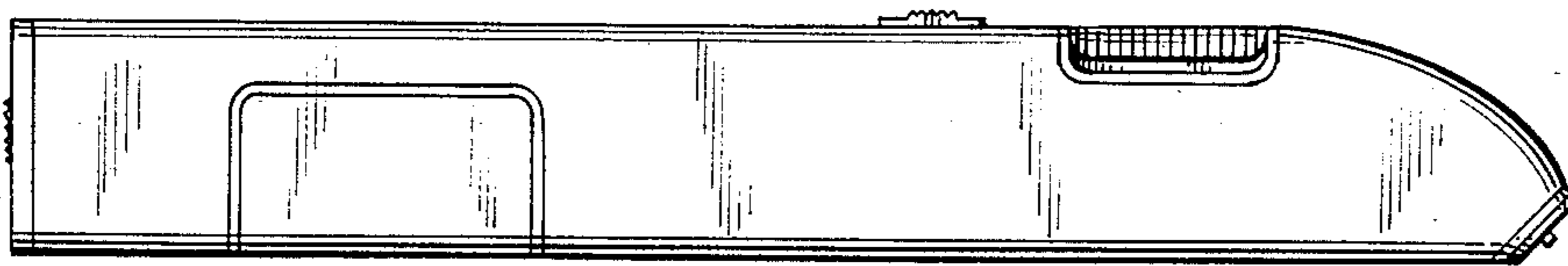


FIG. 4

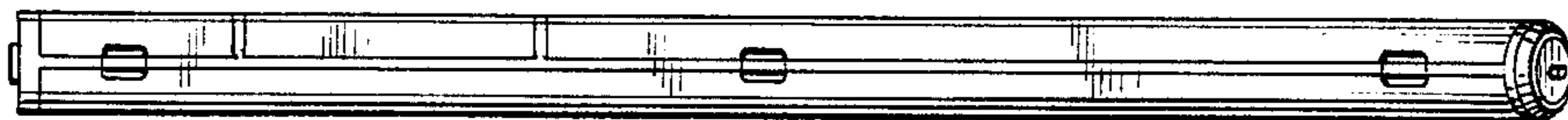


FIG. 5



FIG. 6



FIG. 7