

[54] BODY MASSAGER

[75] Inventors: Edward D. Noble, Willowdale; Peter Welch, Toronto, both of Canada

[73] Assignee: Wellness Innovations Corp., Markham, Canada

[\*\*] Term: 14 Years

[21] Appl. No.: 878,531

[22] Filed: Jun. 25, 1986

[30] Foreign Application Priority Data

Dec. 31, 1985 [CA] Canada ..... 31-12-85-1

[52] U.S. Cl. .... D24/41; D24/36; D24/40

[58] Field of Search ..... D24/36, 40, 41, 42; 128/24.3, 44, 46, 49, 57, 62 R

[56] References Cited

U.S. PATENT DOCUMENTS

D. 245,864	9/1977	Gelbart .....	D24/36
D. 261,428	10/1981	Noble .....	D24/41
D. 273,708	5/1984	Haug .....	D24/36
2,988,084	6/1961	Douglas .....	D24/40 X

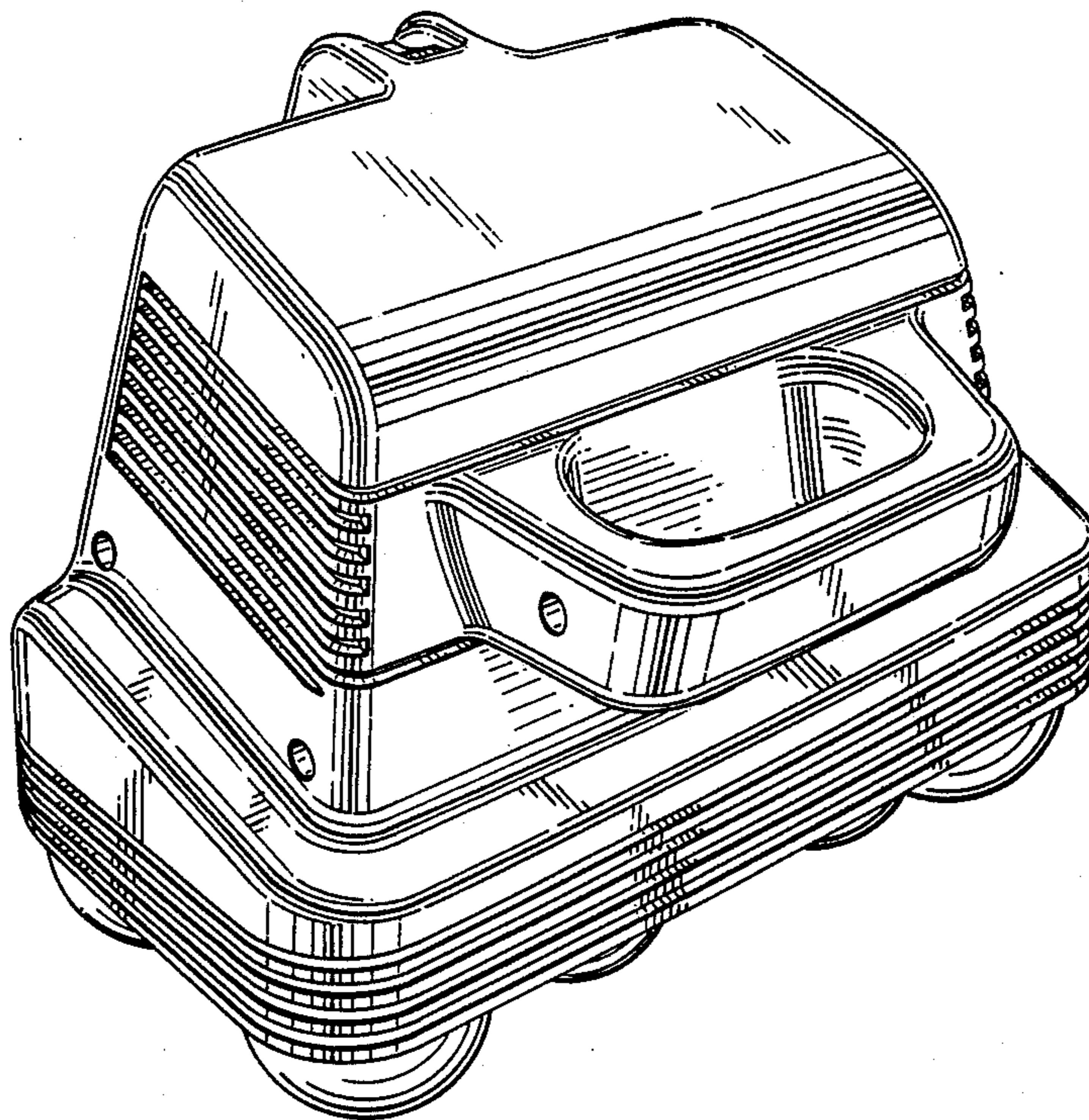
Primary Examiner—Wallace R. Burke  
Assistant Examiner—Stella M. Reid  
Attorney, Agent, or Firm—Rogers, Bereskin & Parr

[57] CLAIM

The ornamental design for a body massager, as shown.

DESCRIPTION

FIG. 1 is a top perspective view of a body massager showing our new design;  
FIG. 2 is a side elevational view thereof, opposite that shown in FIG. 1;  
FIG. 3 is a bottom perspective view thereof;  
FIG. 4 is a left side elevational view thereof, the opposite side being identical thereto;  
FIG. 5 is a top plan view thereof.



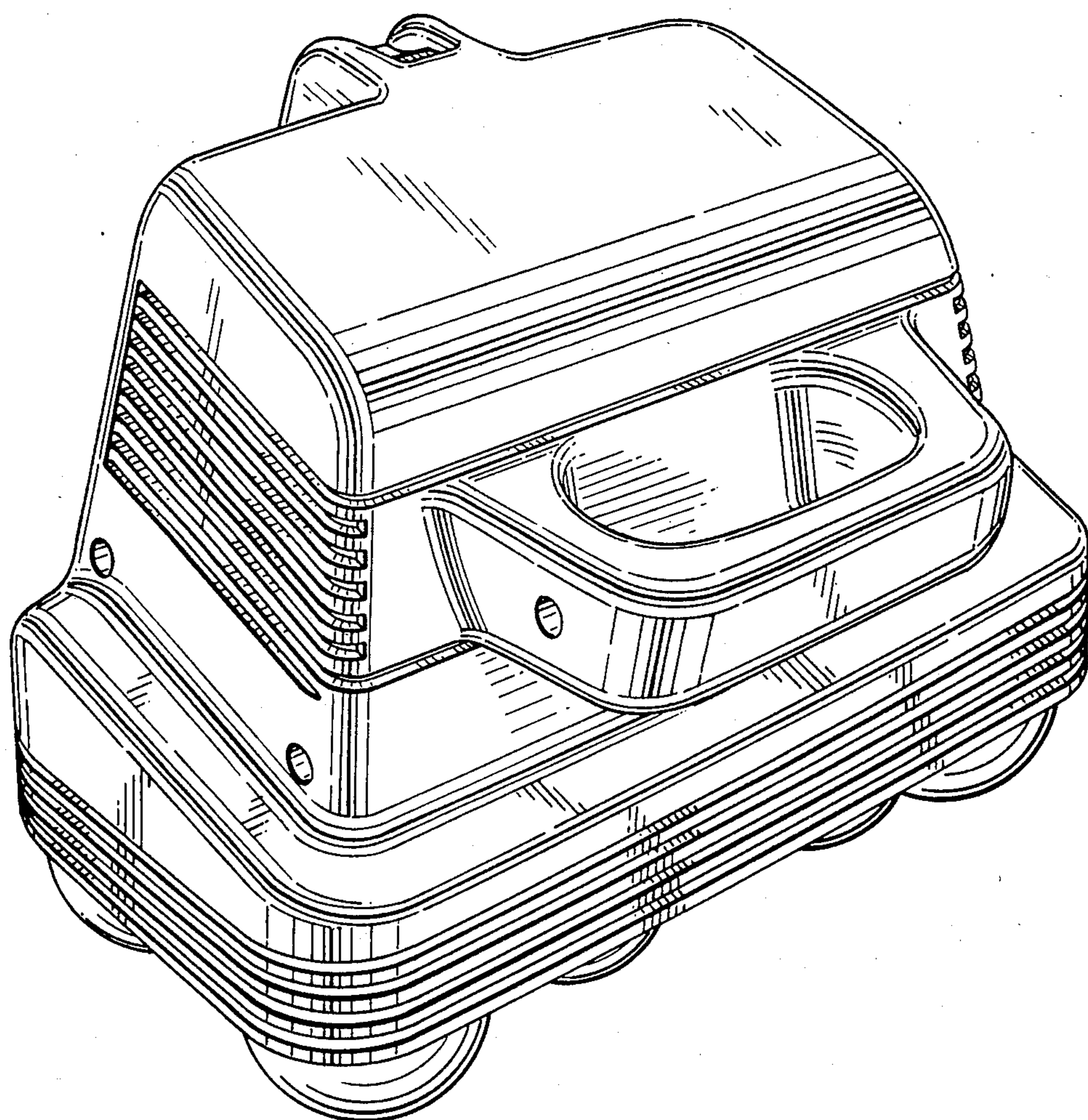


FIG.1

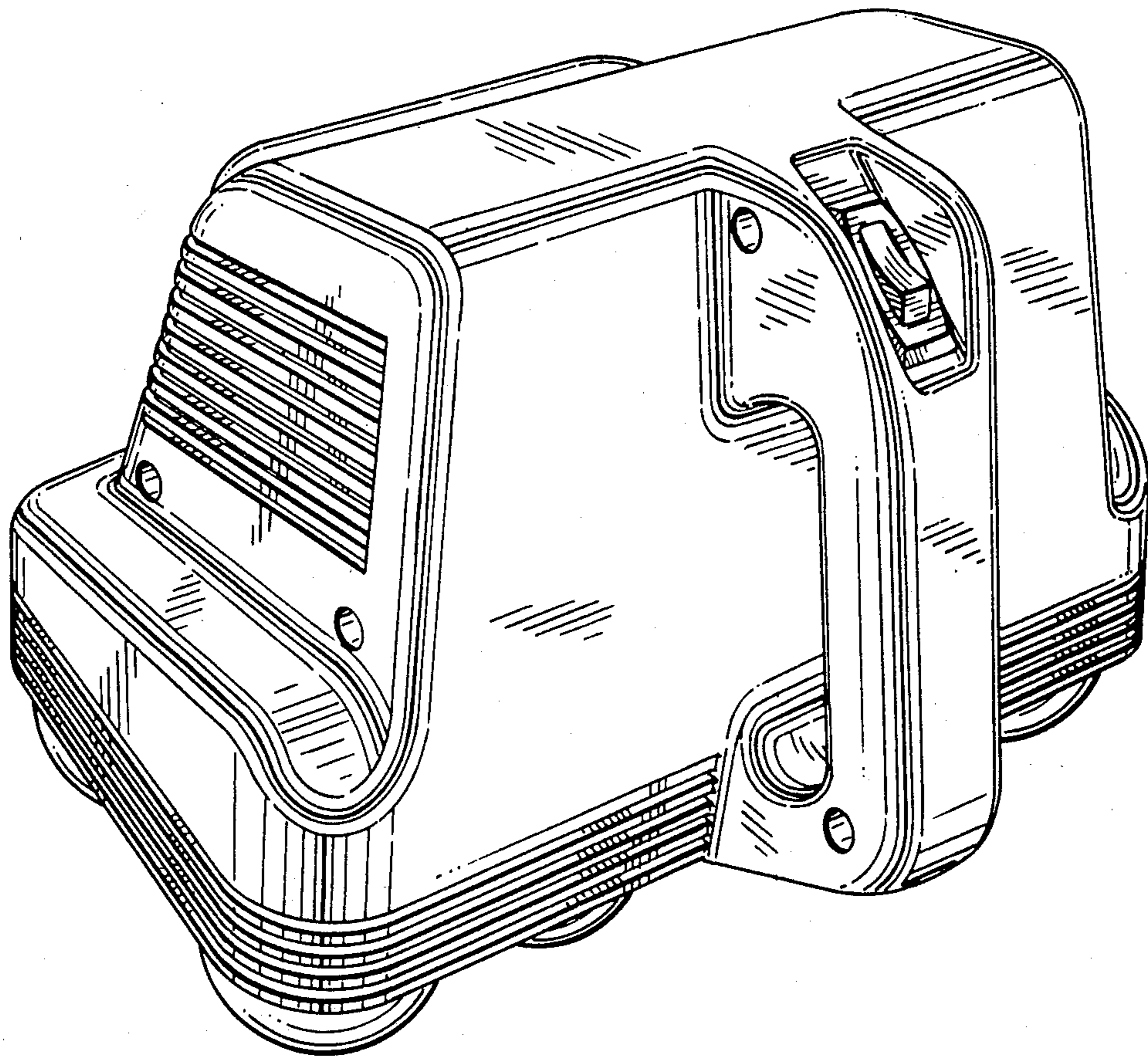


FIG.2

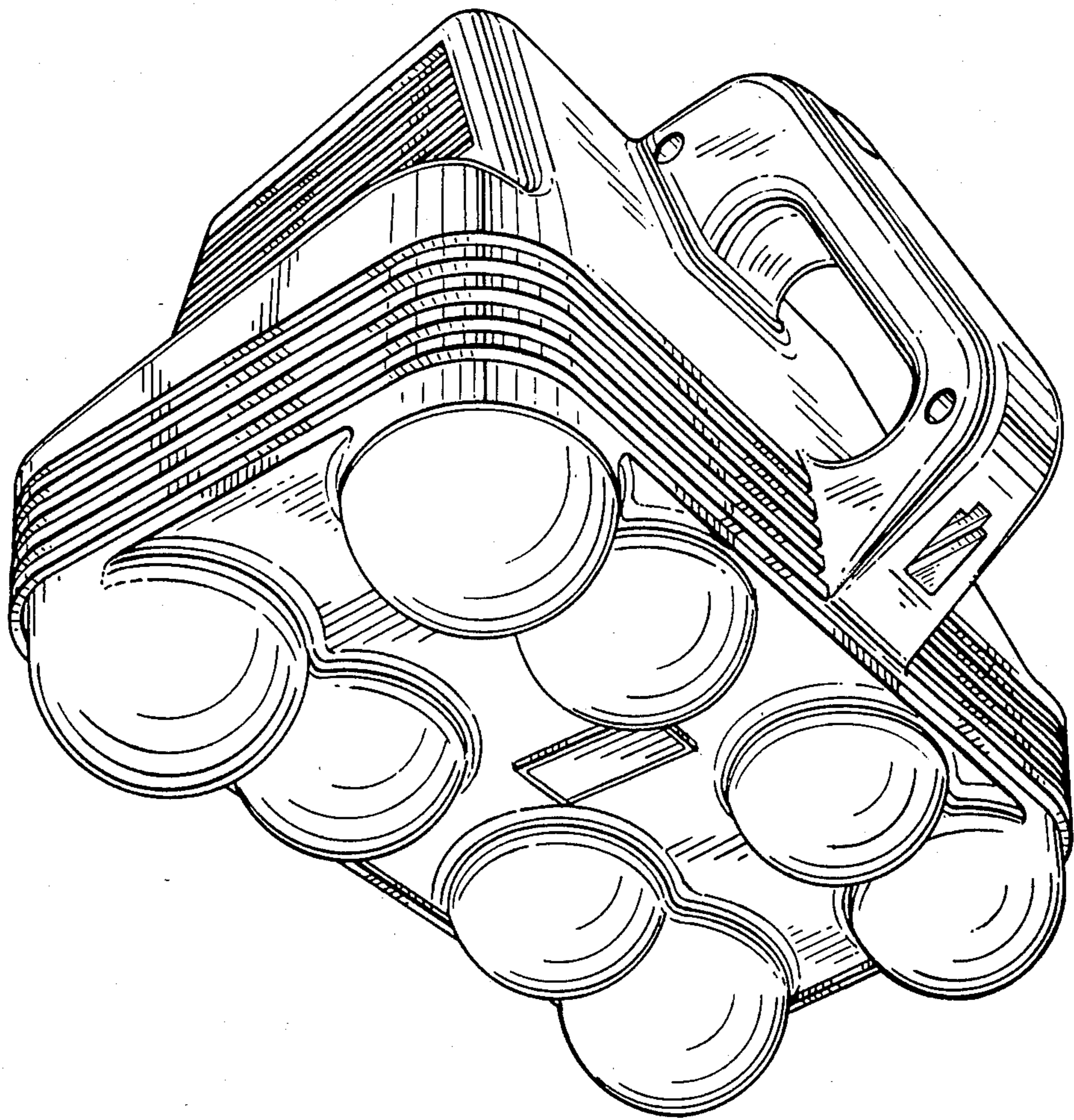


FIG. 3

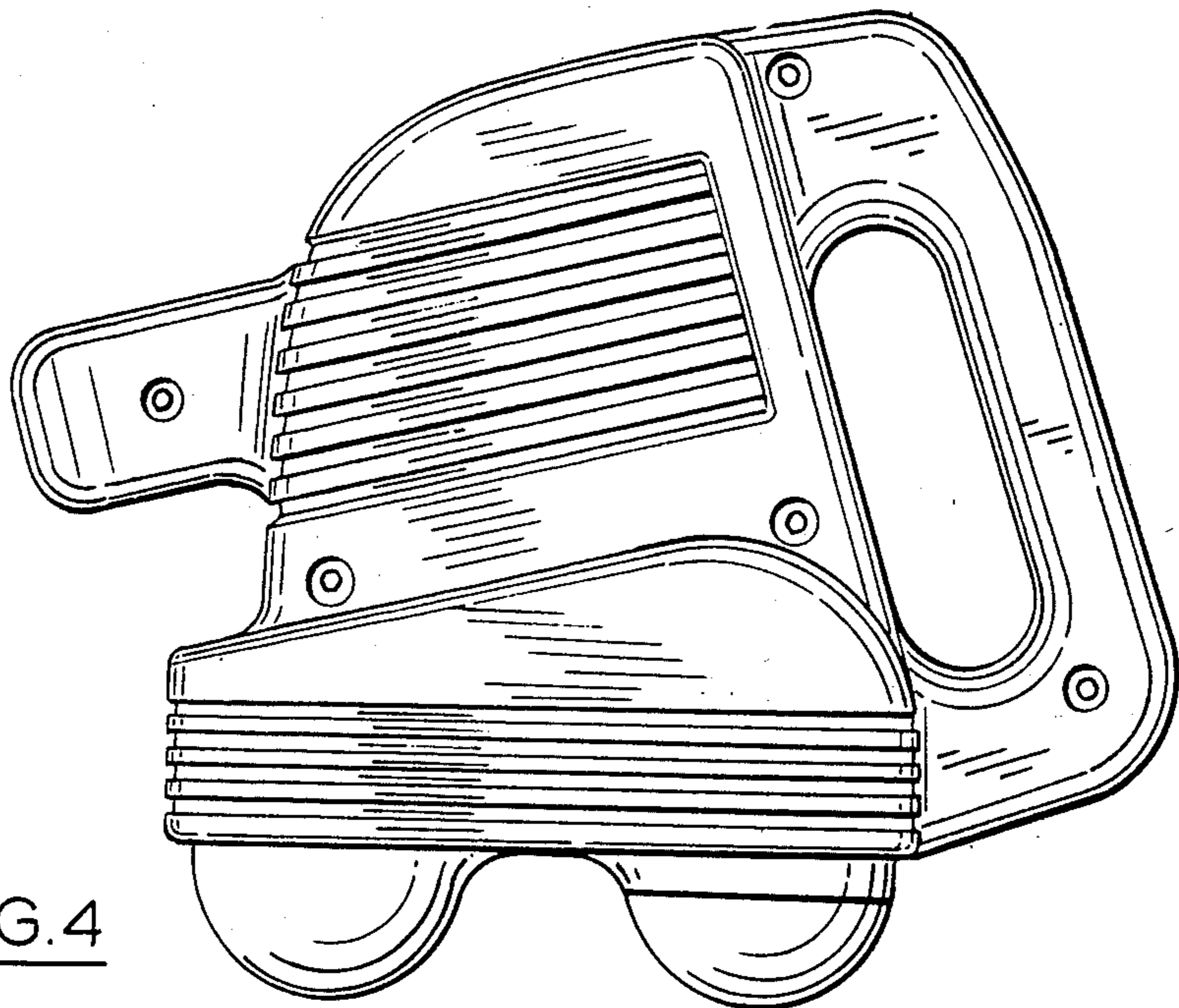


FIG. 4

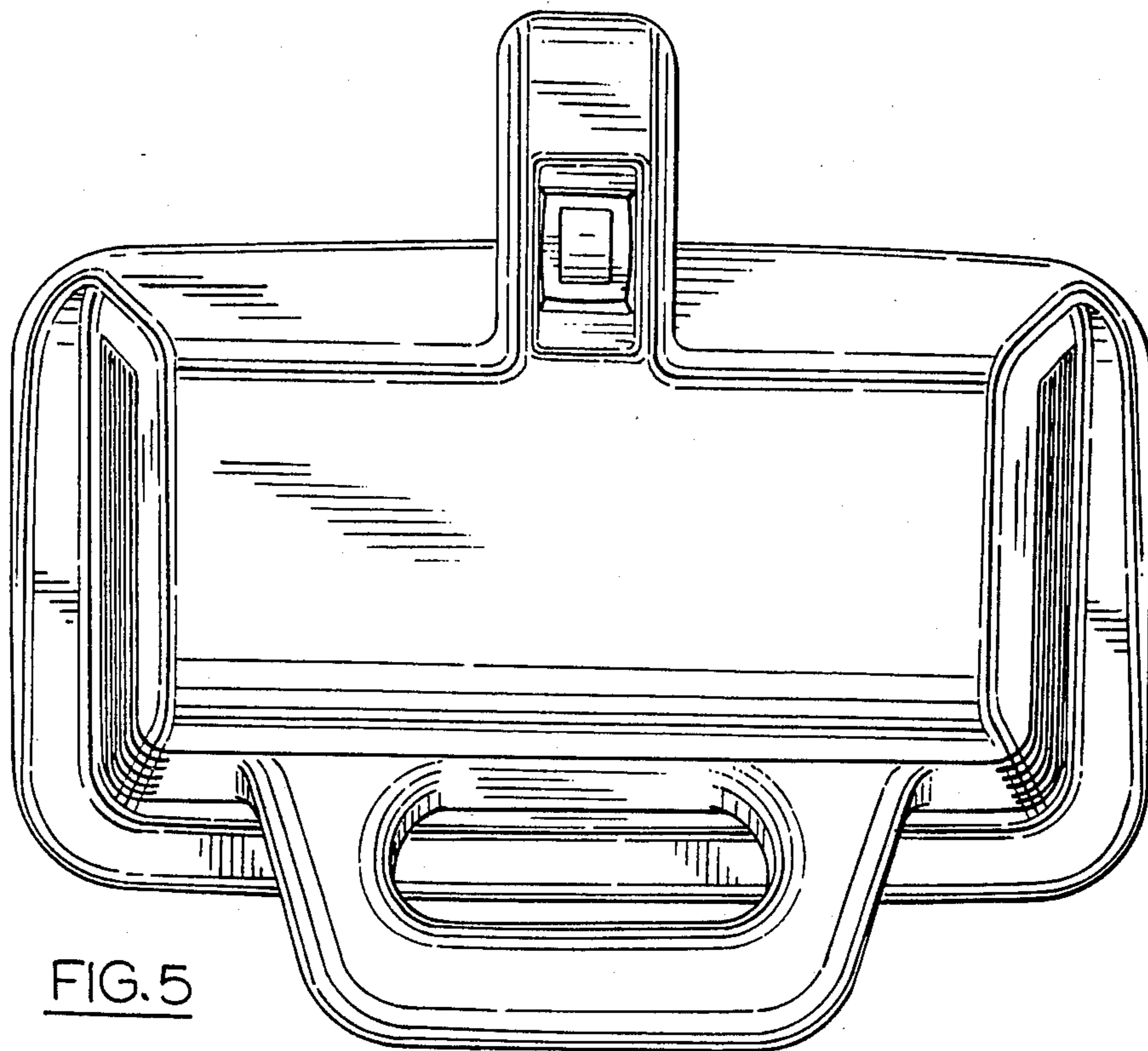


FIG. 5