

[54] **COMBINED HAND AND FOOT MASSAGER**

[76] **Inventor: James E. Norrid, 33 Longview Dr., Bryan, Tex. 77802**

[*] **Notice:** The portion of the term of this patent subsequent to Nov. 14, 2003 has been disclaimed.

[**] **Term: 14 Years**

[21] **Appl. No.: 467,408**

[22] **Filed: Feb. 17, 1983**

[52] **U.S. Cl. D24/36; D24/41; D24/42**

[58] **Field of Search D24/36, 41, 42; 128/57, 128/25 B**

[56] **References Cited**

U.S. PATENT DOCUMENTS

D. 101,862	11/1936	Fehn et al.	D24/36
D. 127,686	6/1941	Milton	D24/36
D. 138,340	7/1944	Cox	D24/36
D. 253,967	1/1980	Miyadai	D24/36
D. 254,869	4/1980	Osburn	D24/36
1,998,197	4/1935	Lang	272/57

2,438,249	3/1948	Mattison	128/57
2,512,904	6/1950	Strelecky	272/96
2,638,089	5/1953	Murphy	128/57
3,292,614	12/1966	Fleming	128/25
4,167,940	9/1979	Ruf	128/57

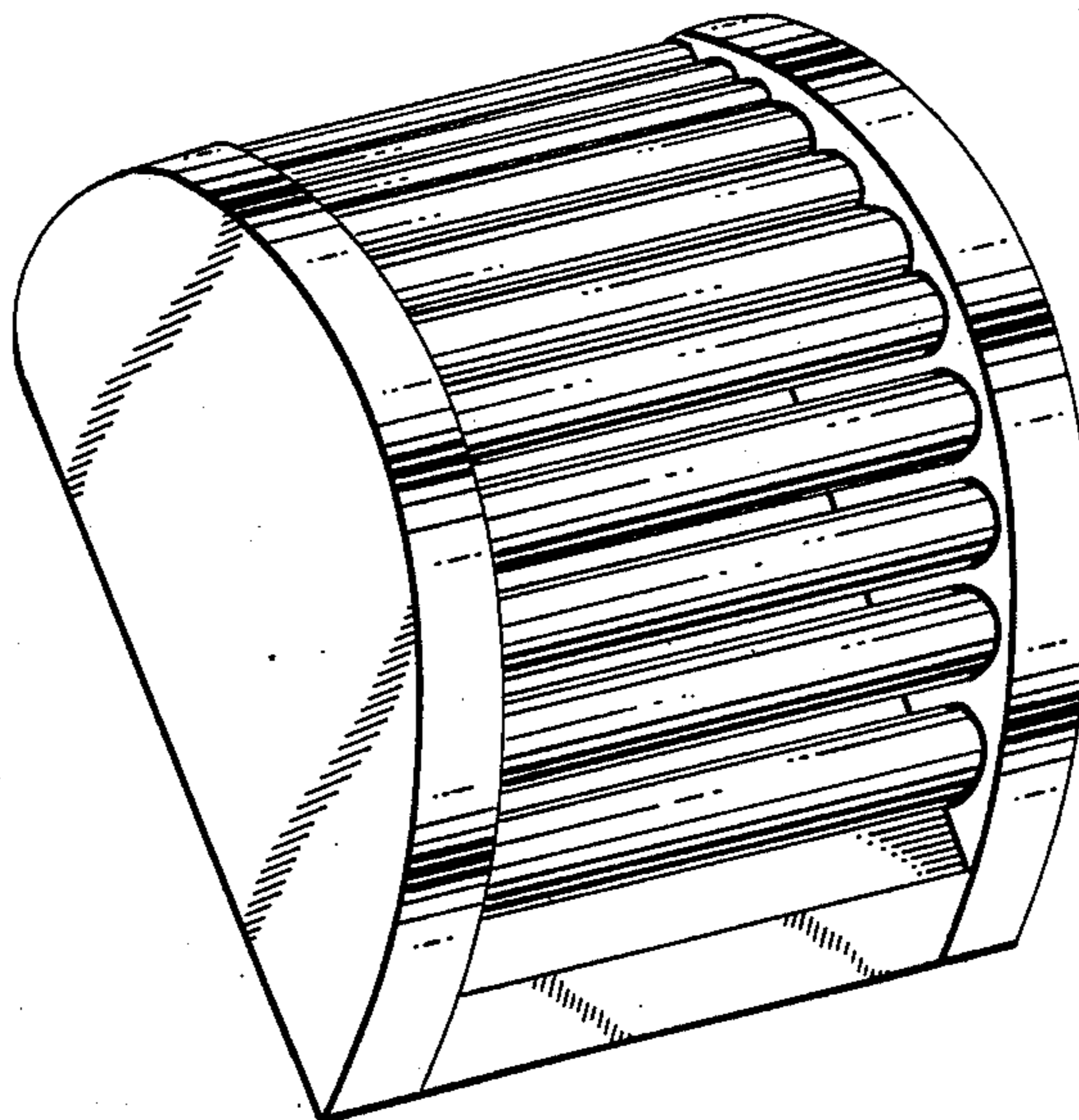
Primary Examiner—A. Hugo Word
Assistant Examiner—Stella M. Reid
Attorney, Agent, or Firm—Jack Darrell

[57] **CLAIM**

The ornamental design for a combined hand and foot massager, substantially as shown and described.

DESCRIPTION

FIG. 1 is a front perspective view of a combined hand and foot massager showing my new design;
 FIG. 2 is a side elevational view thereof, the opposite side being a mirror image thereto;
 FIG. 3 is a top plan view thereof;
 FIG. 4 is a front elevational view thereof, the rear view being a mirror image thereto;
 FIG. 5 is a bottom plan view thereof;
 FIG. 6 is a cross-sectional view taken on line 6—6 of FIG. 4; and
 FIG. 7 is a cross-sectional view taken on line 7—7 of FIG. 3.



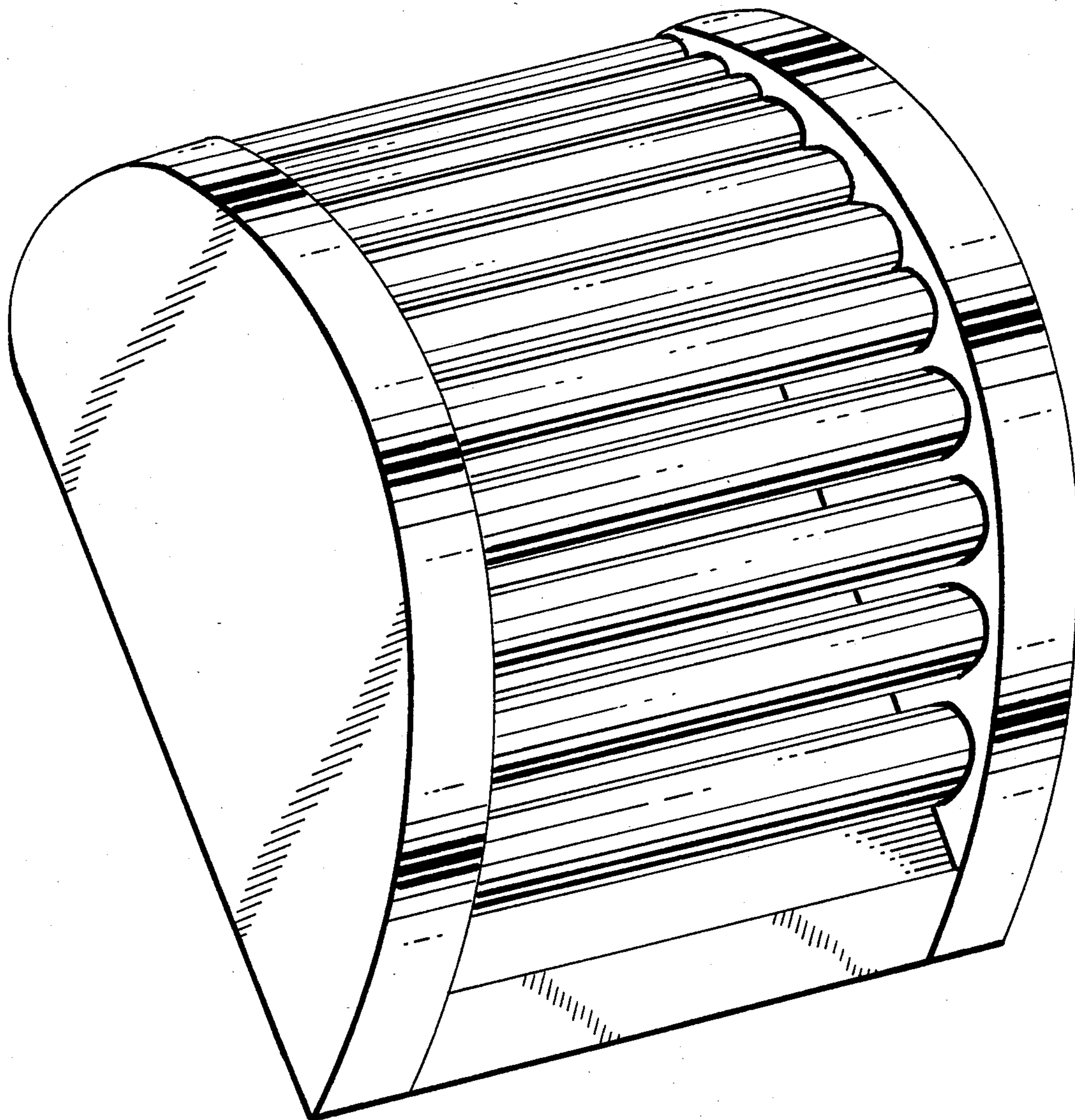


FIG. 1

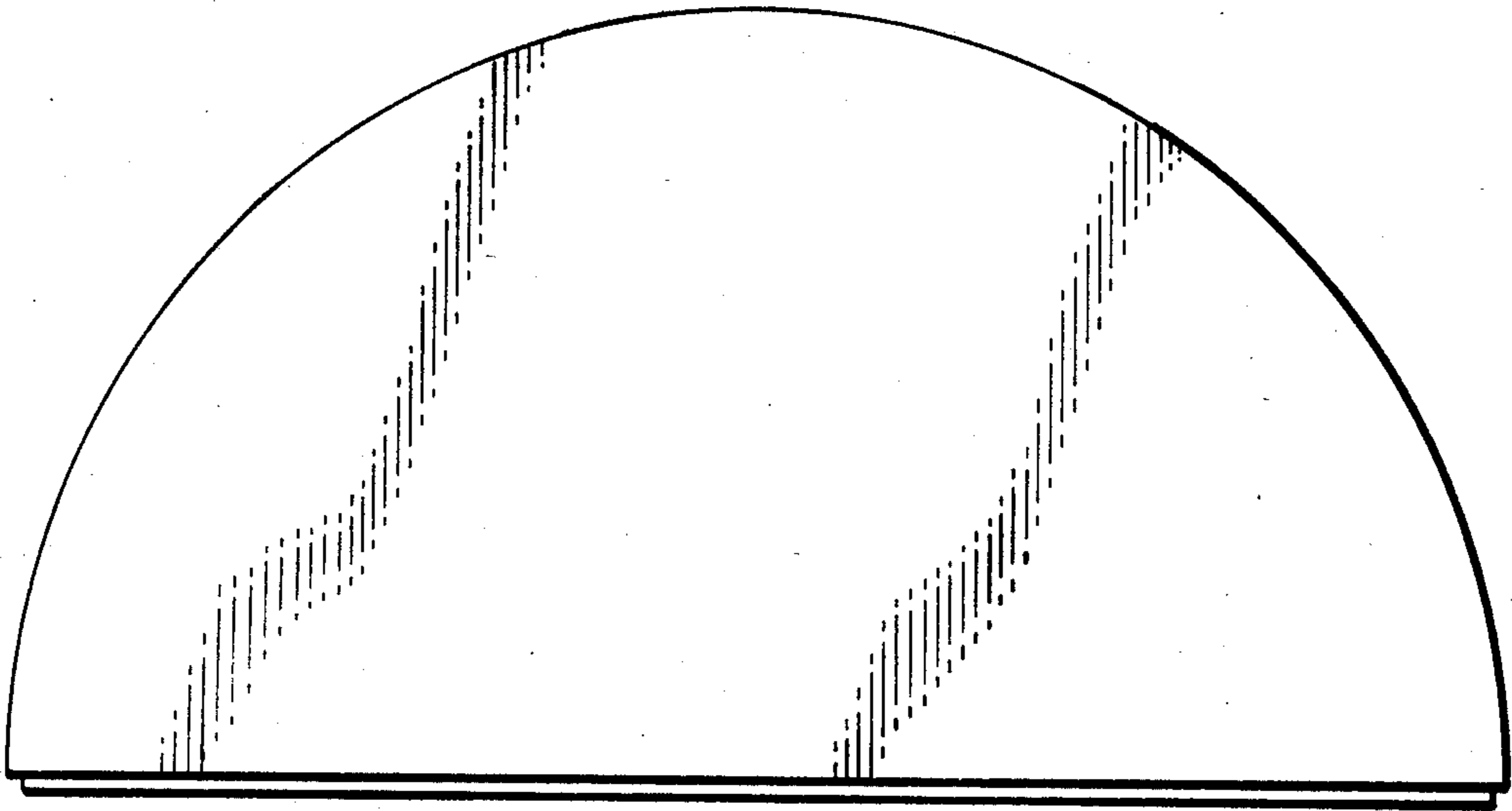


FIG. 2

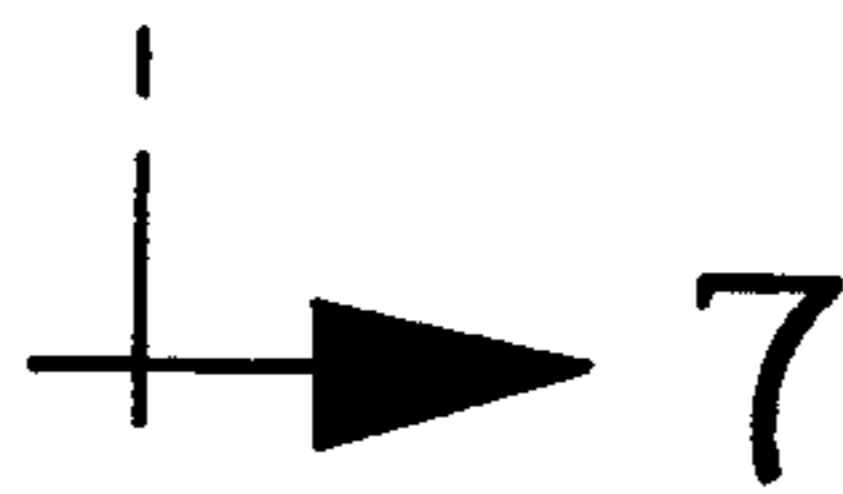
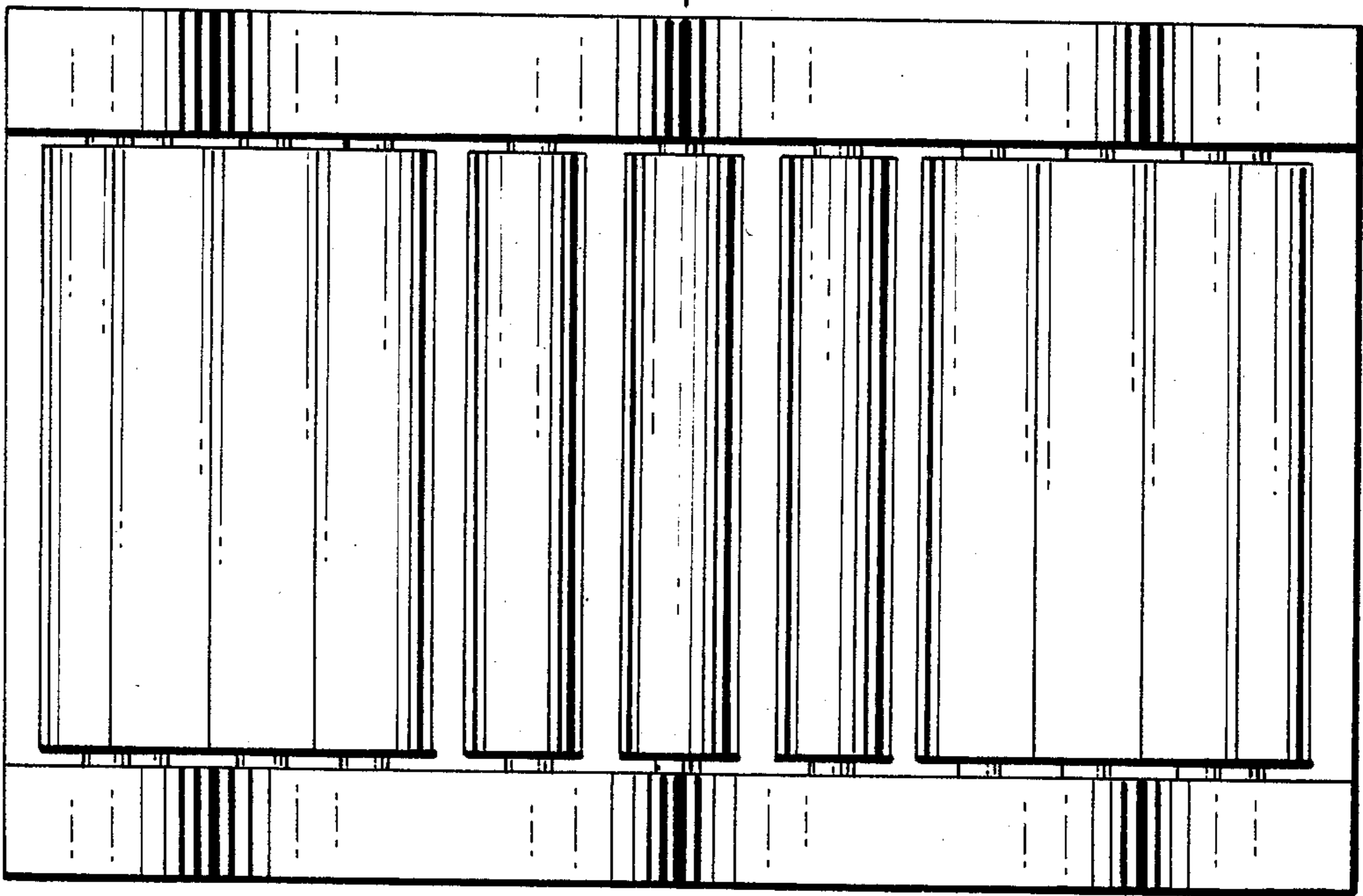


FIG. 3

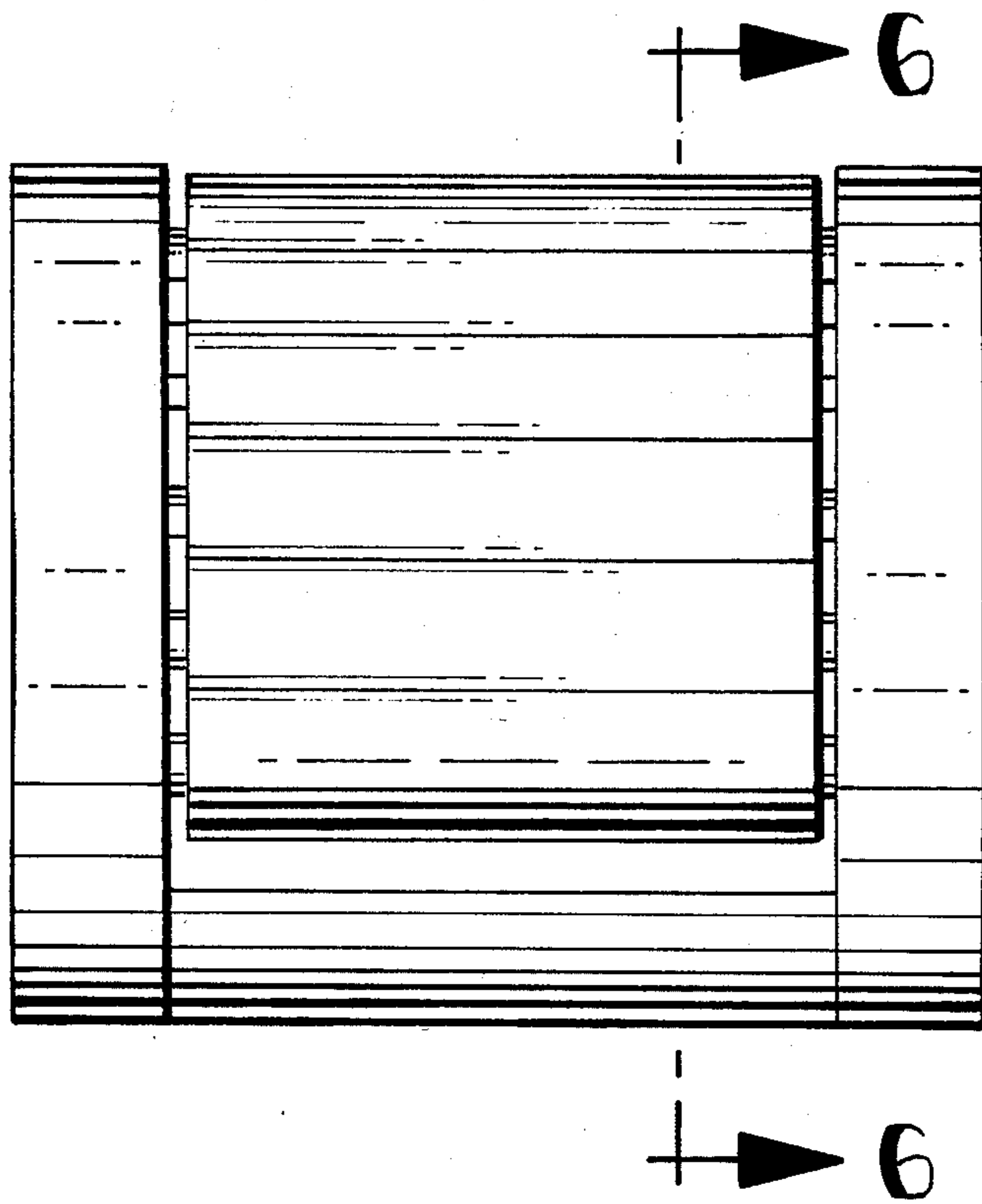


FIG. 4

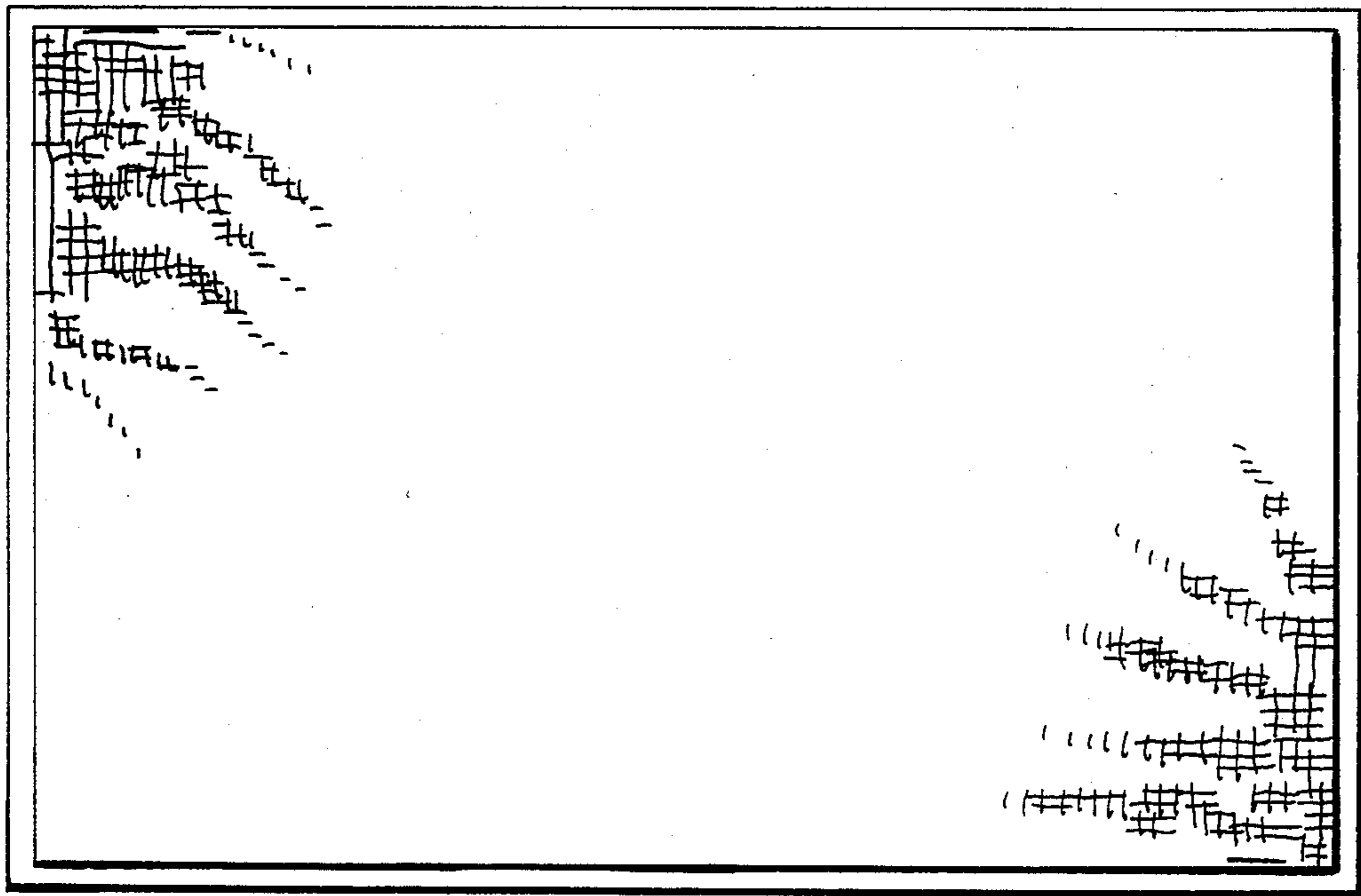


FIG. 5

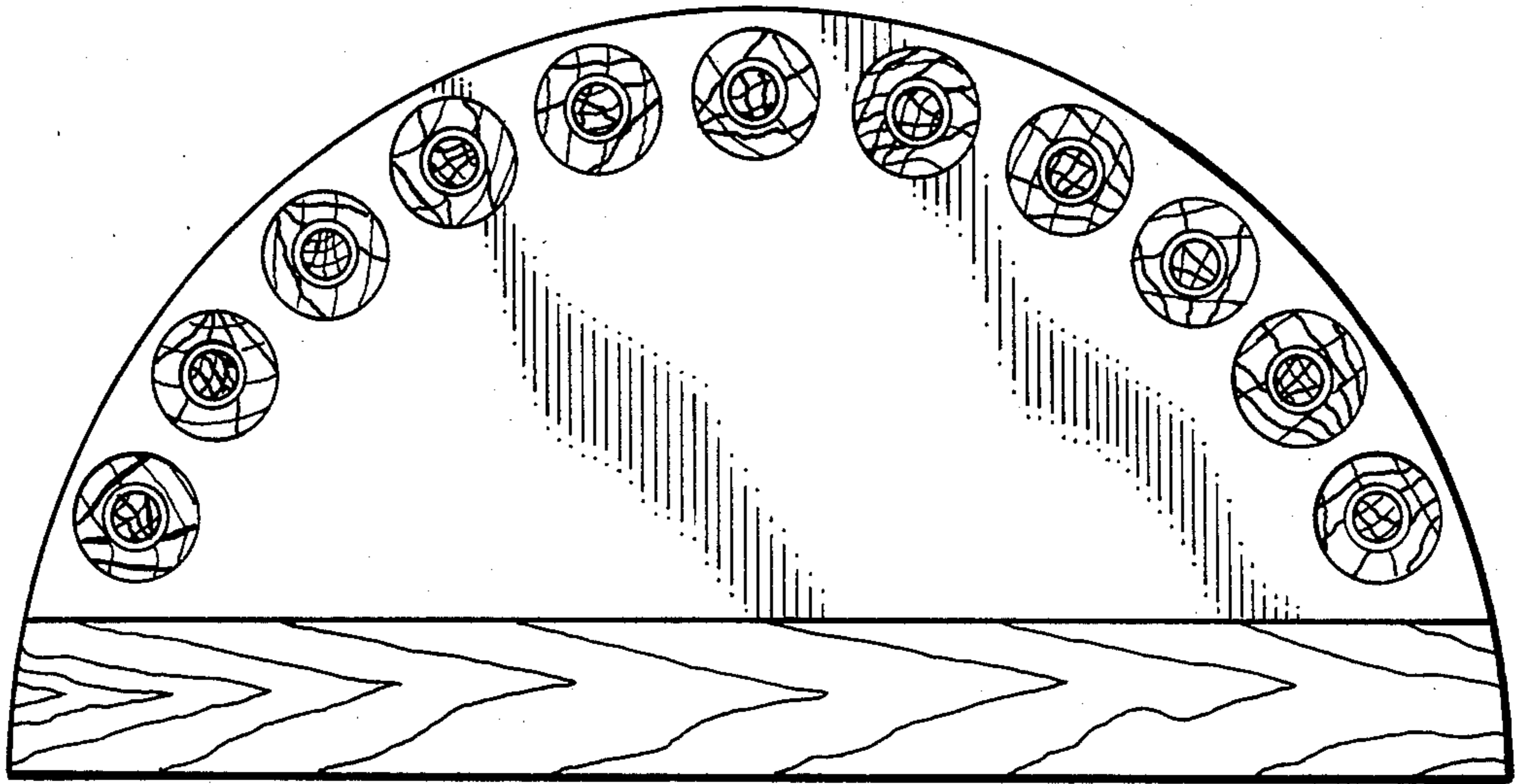


FIG. 6

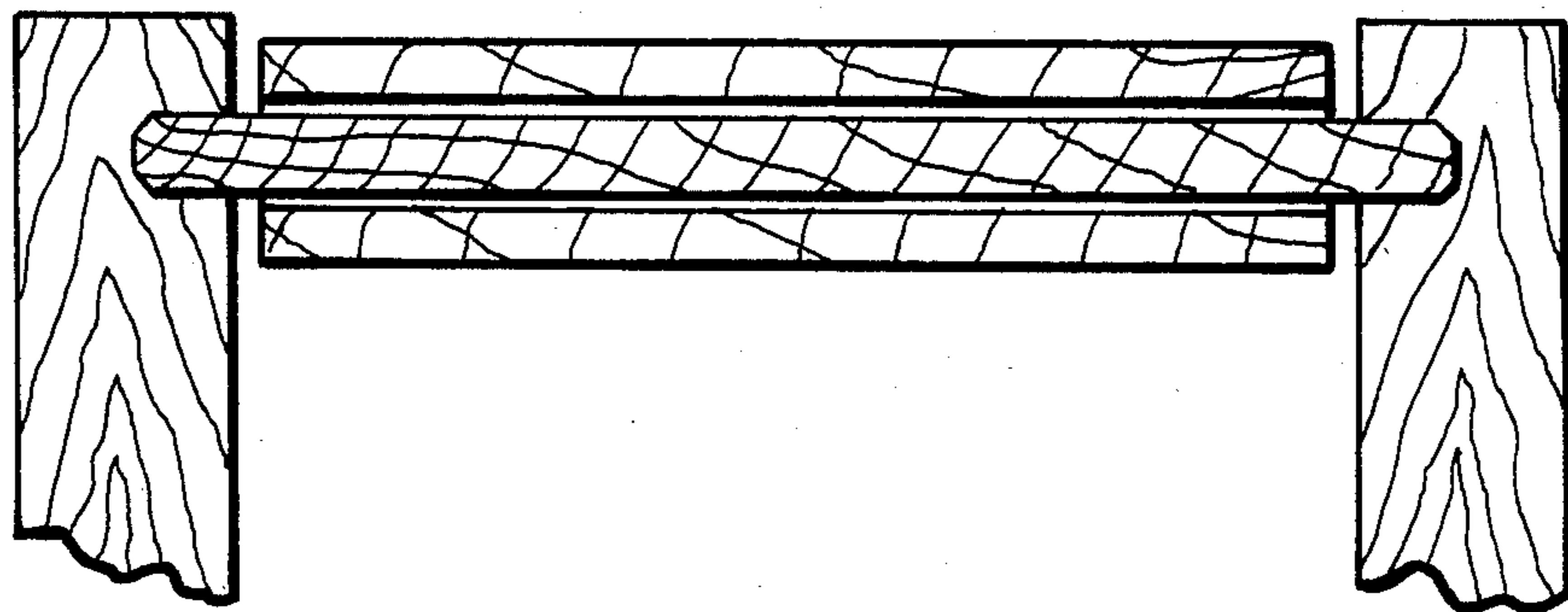


FIG. 7