

[54] REACTION UNIT FOR USE IN ANALYZING BIOLOGICAL FLUIDS

[75] Inventors: Eugene Fan, La Jolla; Fon-Chiu M. Chen; Siu-Yin Wong, both of San Diego, all of Calif.

[73] Assignee: Pacific Biotech, Inc., San Diego, Calif.

[**] Term: 14 Years

[21] Appl. No.: 903,106

[22] Filed: Sep. 2, 1986

[52] U.S. Cl. D24/17

[58] Field of Search D24/17, 8; 435/7, 34, 435/179, 287, 288, 291; 436/170, 44, 65, 500, 514, 518, 814, 818, 906; 422/101, 102, 61; 210/445, 477; D10/97, 46, 81

[56] References Cited

U.S. PATENT DOCUMENTS

3,415,361	12/1968	Adams, Jr. et al.	436/814 X
4,181,500	1/1980	Cowsar et al.	436/170 X
4,246,339	1/1981	Cole et al.	D24/31 X
4,742,011	5/1988	Blake et al.	436/818 X

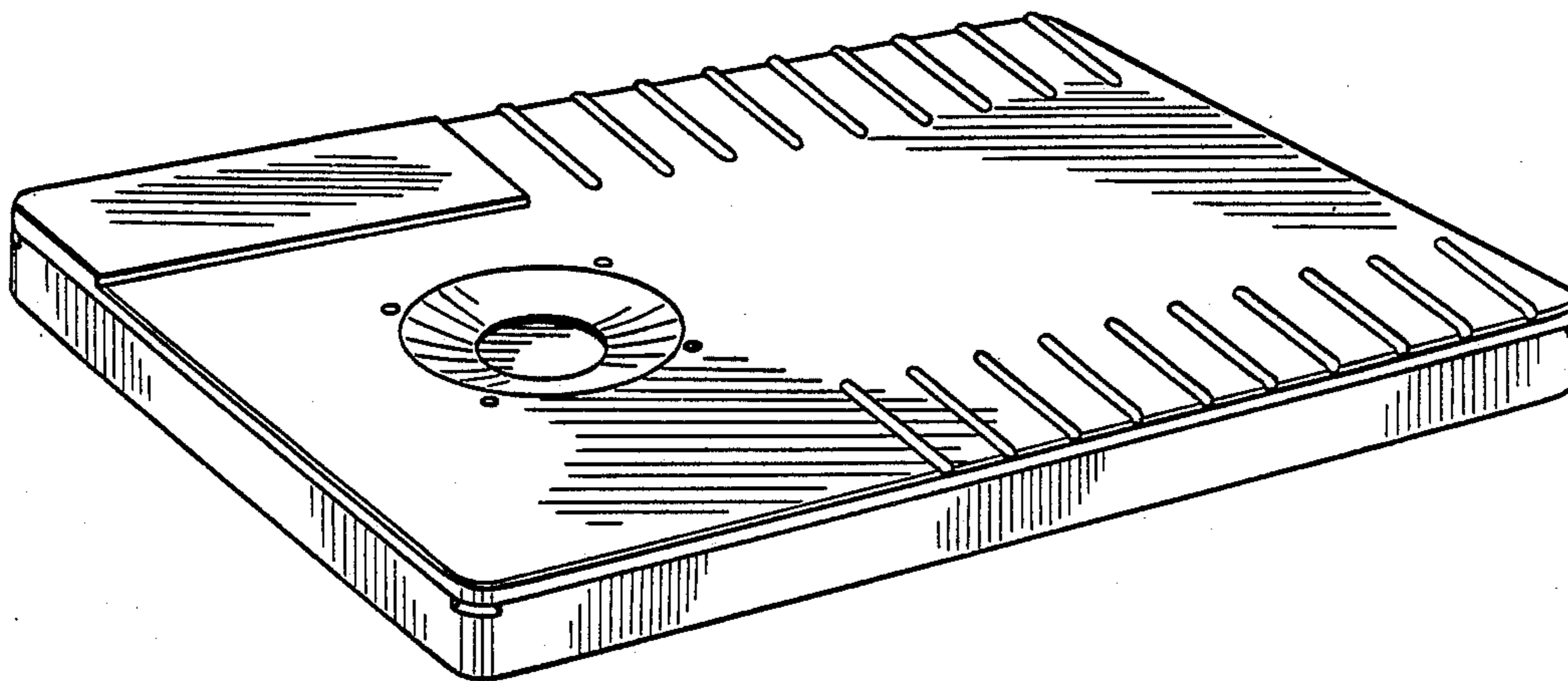
Primary Examiner—Wallace R. Burke
Assistant Examiner—Stella M. Reid
Attorney, Agent, or Firm—Knobbe, Martens, Olson & Bear

[57] CLAIM

The ornamental design for a reaction unit for use in analyzing biological fluids, as shown.

DESCRIPTION

FIG. 1 is a perspective view of a reaction unit for use in analyzing biological fluids showing our new design; FIG. 2 is a side elevational view thereof as taken from the rear of FIG. 1; FIG. 3 is a bottom plan view thereof; and FIG. 4 is an end elevational view thereof as taken from the right hand end of FIG. 1.



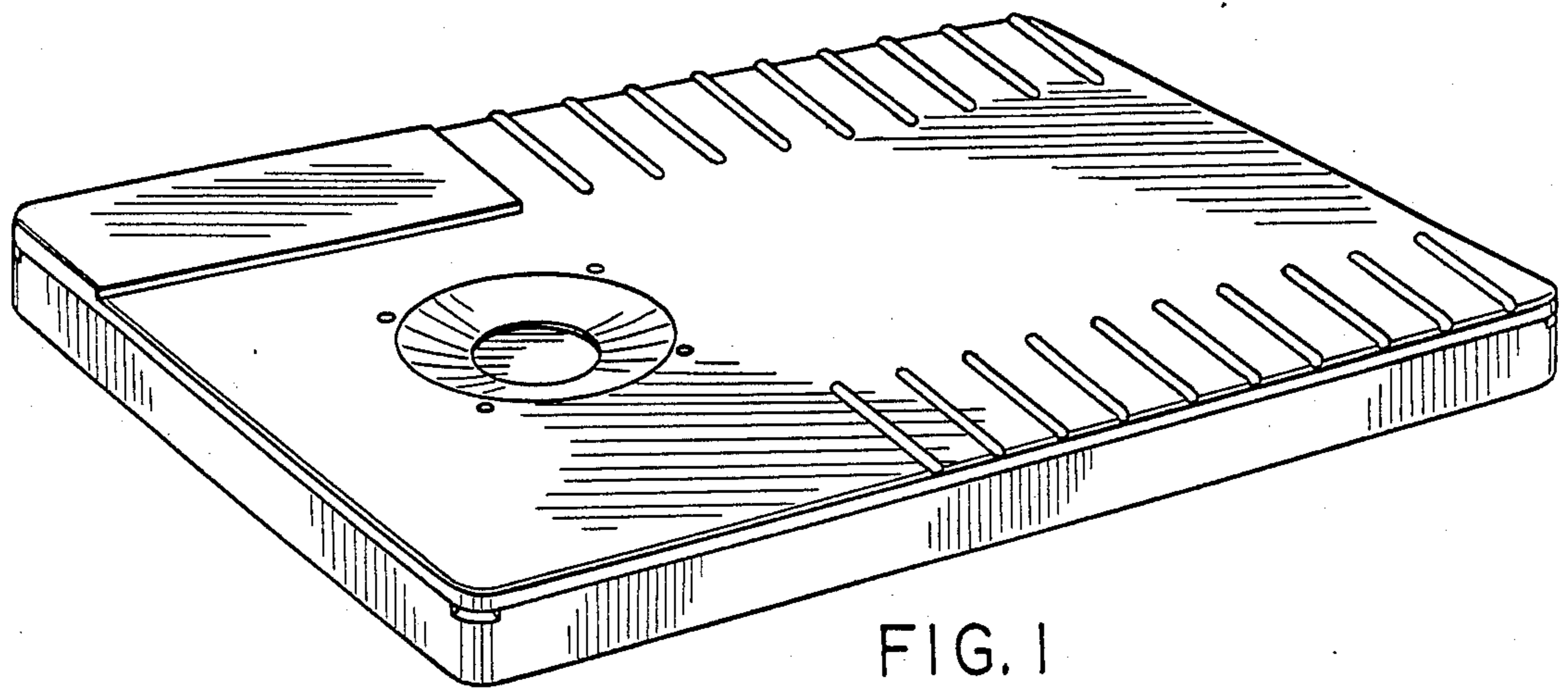


FIG. 1

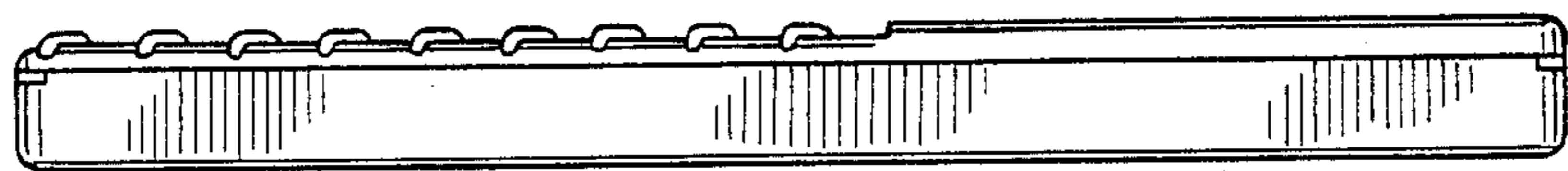


FIG. 2

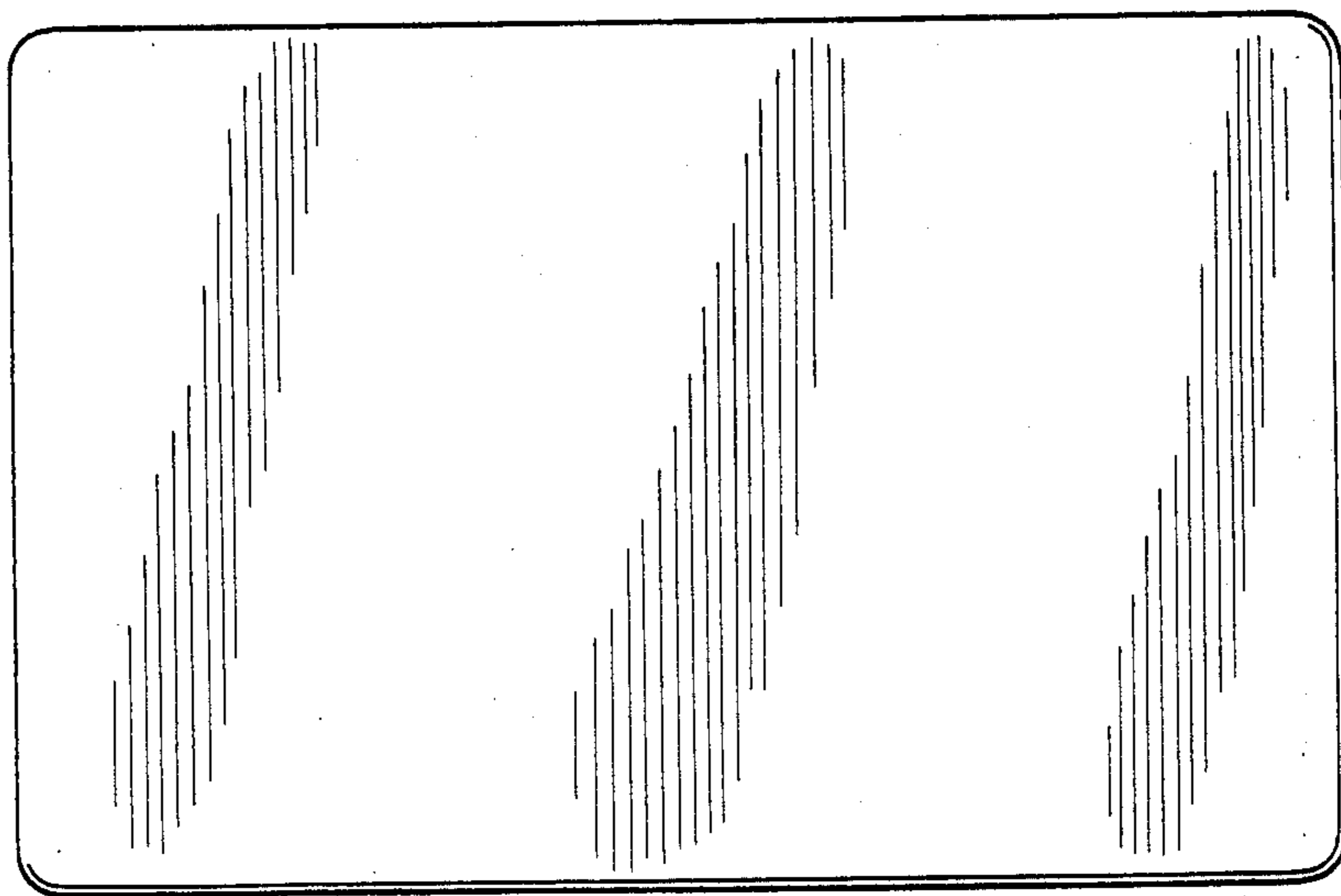


FIG. 3

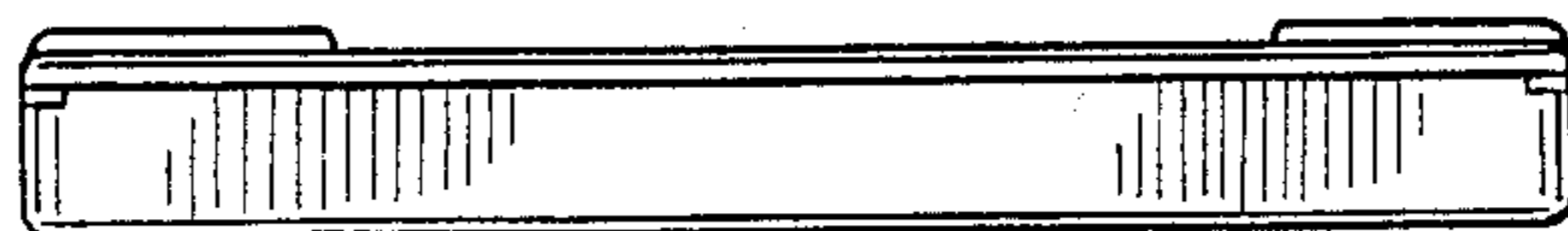


FIG. 4