

[54] PORTABLE CEILING FAN

4,428,032 1/1984 Workman 416/5 X

[76] Inventor: Leslie Davis, 4309 Toliver, Houston, Tex. 77016

Primary Examiner—Wallace R. Burke
Assistant Examiner—Brian N. Vinson
Attorney, Agent, or Firm—Browning, Bushman, Zamecki & Anderson

[**] Term: 14 Years

[21] Appl. No.: 82,424

[57] CLAIM

[22] Filed: Aug. 6, 1987

The ornamental design for a portable ceiling fan, as shown and described.

[52] U.S. Cl. D23/379; D23/377

[58] Field of Search D23/370, 377-379, D23/385; D26/51, 59; 416/5; 362/147, 294, 404

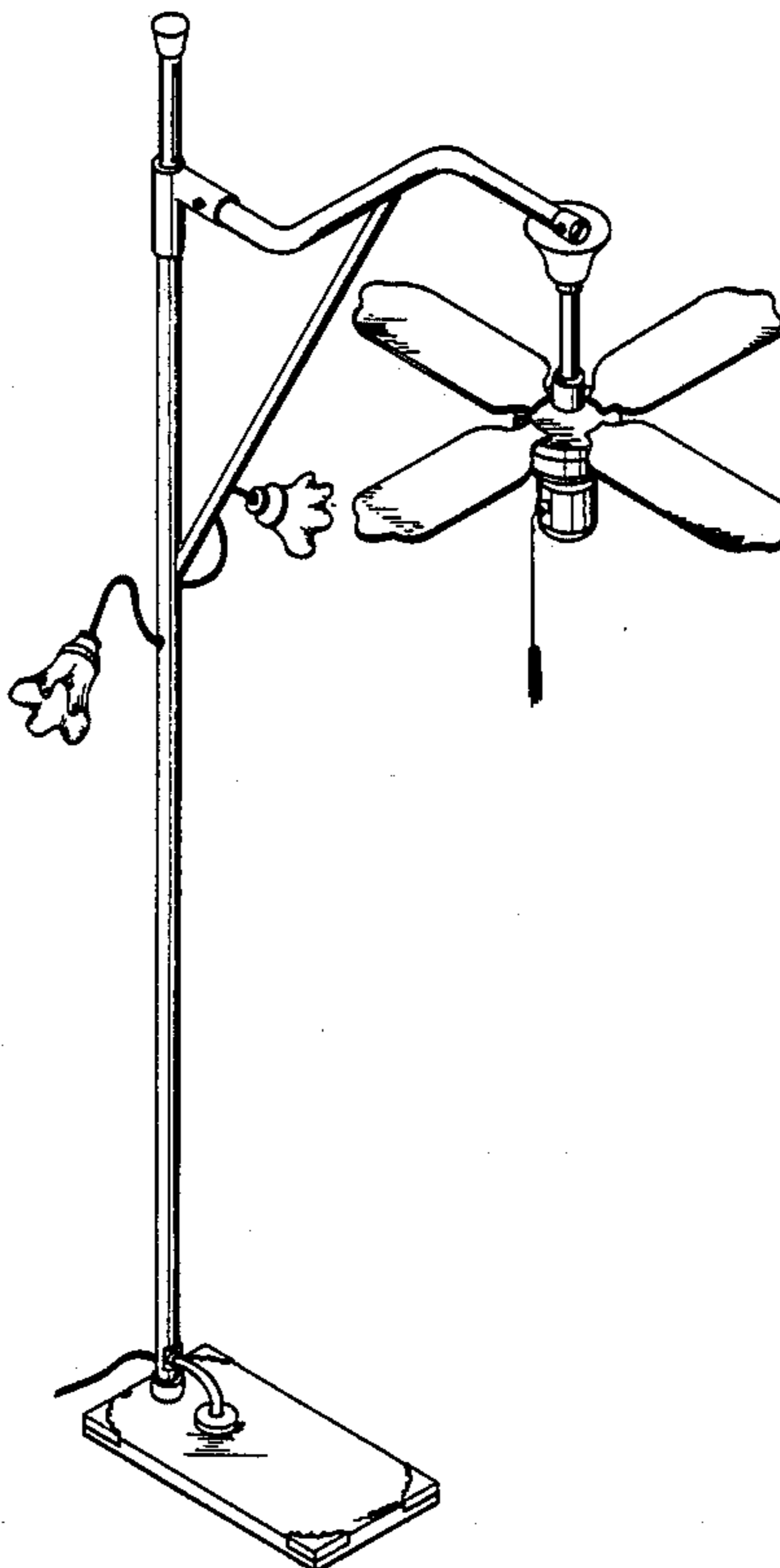
DESCRIPTION

[56] References Cited

U.S. PATENT DOCUMENTS

- D. 265,681 8/1982 Kan D23/379
- 3,061,717 10/1962 Barrett D26/66 X

FIG. 1 is a top perspective view of a portable ceiling fan showing my new design;
FIG. 2 is an enlarged partial perspective view of the base portion thereof; and
FIG. 3 is an enlarged partial perspective view of the top portion thereof.



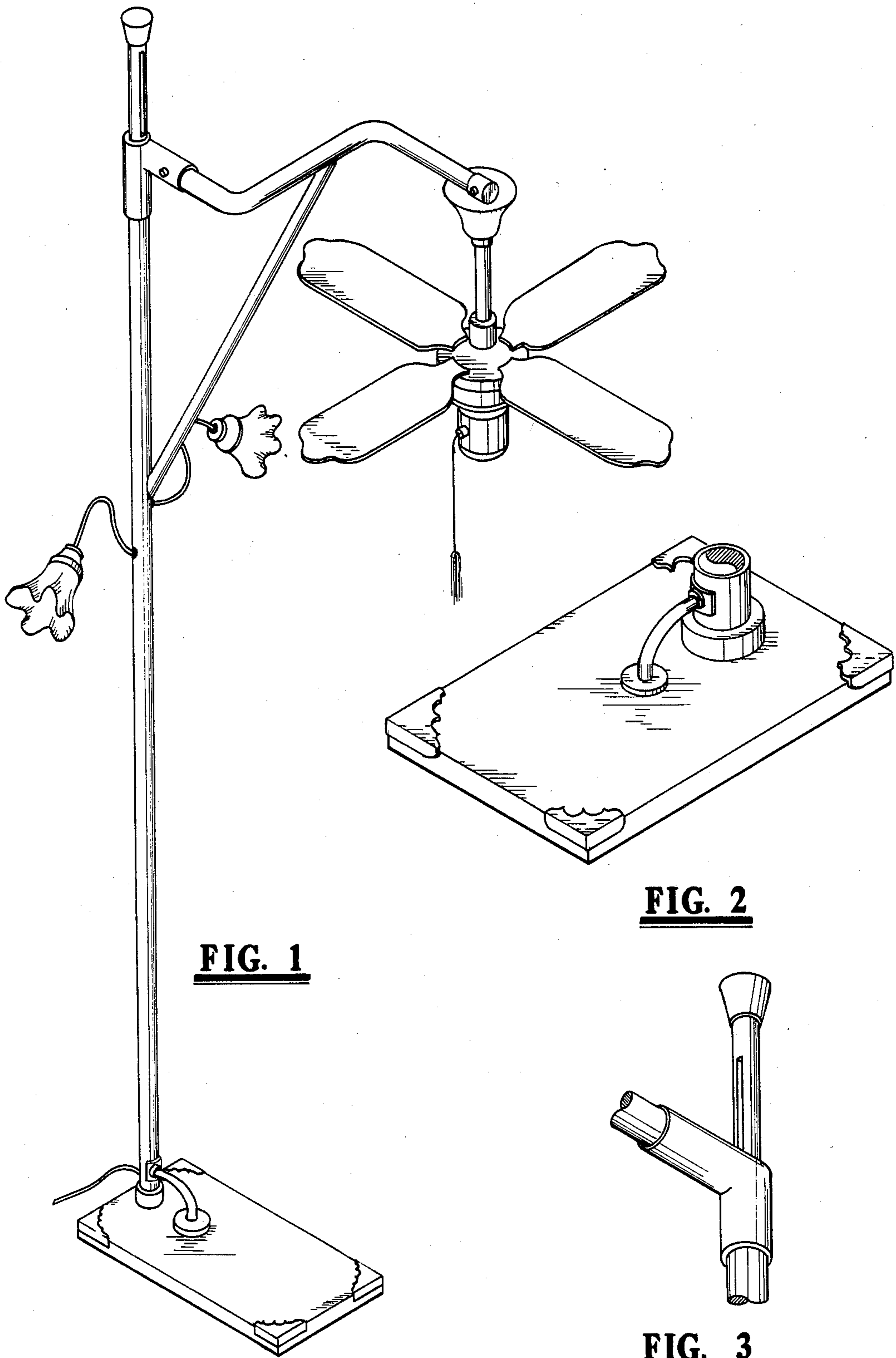


FIG. 1

FIG. 2

FIG. 3