

[54] **HANDLE FOR PLUMBING FITTING**

[75] **Inventor: Stanley M. Paul, Rye, N.Y.**

[73] **Assignee: Paul Associates, Inc., Long Island City, N.Y.**

[\*\*] **Term: 14 Years**

[21] **Appl. No.: 896,747**

[22] **Filed: Aug. 13, 1986**

[52] **U.S. Cl. .... D23/252**

[58] **Field of Search .... D23/238-243,  
D23/250-254; D8/300, 307-312; 16/110, 118,  
121**

[56] **References Cited**

**U.S. PATENT DOCUMENTS**

- D. 265,229 6/1982 Paul ..... D23/242
- D. 265,580 7/1982 Paul ..... D23/242

- D. 267,110 11/1982 Arnolds ..... D23/242
- D. 271,514 11/1983 Paul ..... D23/242
- D. 278,458 4/1985 Paul ..... D23/242
- D. 280,543 9/1985 Paul ..... D23/242

*Primary Examiner*—James R. Largen  
*Attorney, Agent, or Firm*—Darby & Darby

[57] **CLAIM**

The ornamental design for a handle for plumbing fitting, as shown.

**DESCRIPTION**

FIG. 1 is a perspective view of a handle for a plumbing fitting showing my new design;  
FIG. 2 is a front elevational view thereof;  
FIG. 3 is a left side elevational view thereof;  
FIG. 4 is a right side elevational view thereof;  
FIG. 5 is a rear elevational view thereof;  
FIG. 6 is a top plan view thereof; and  
FIG. 7 is a bottom plan view thereof.

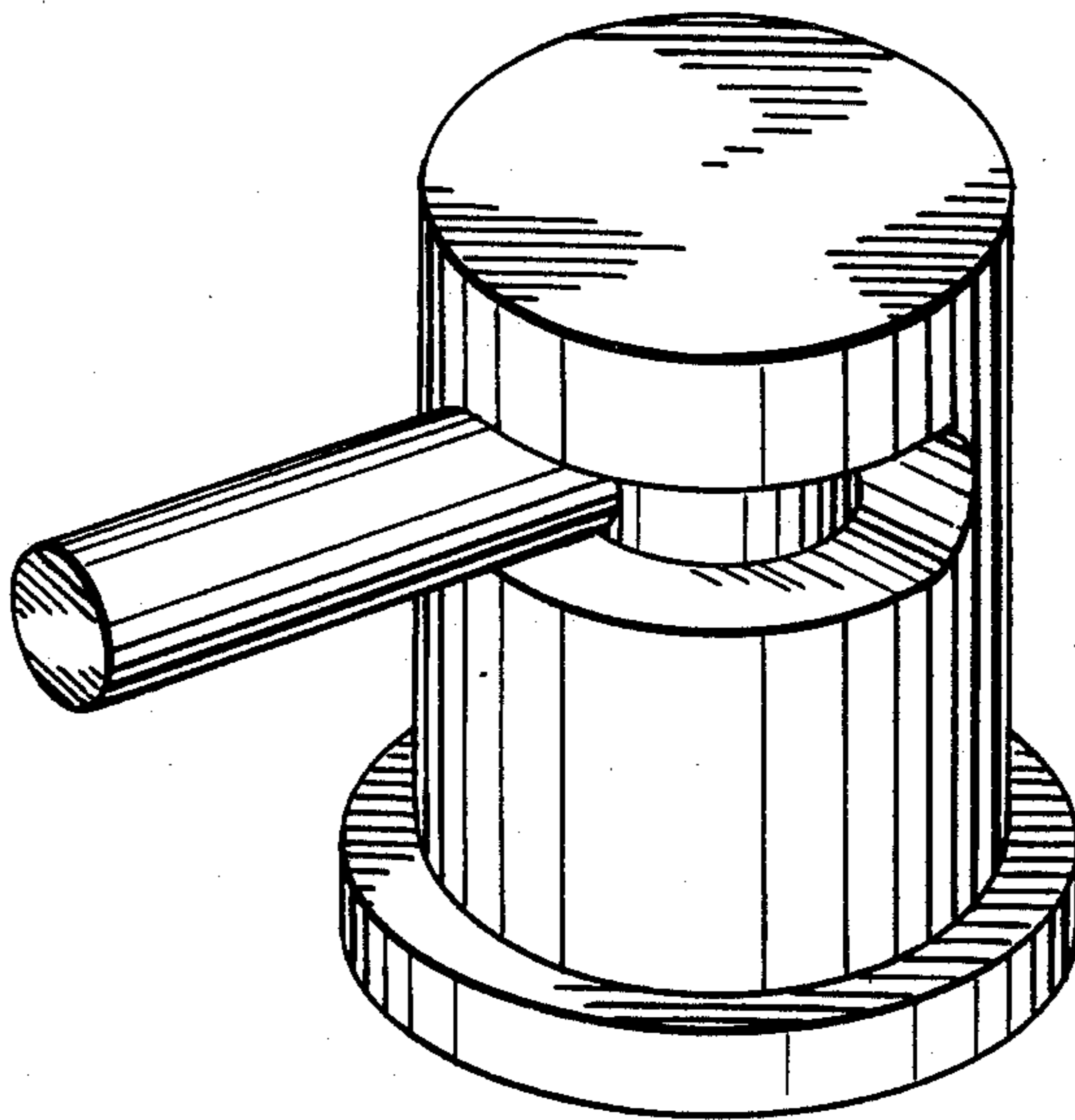


FIG. 1

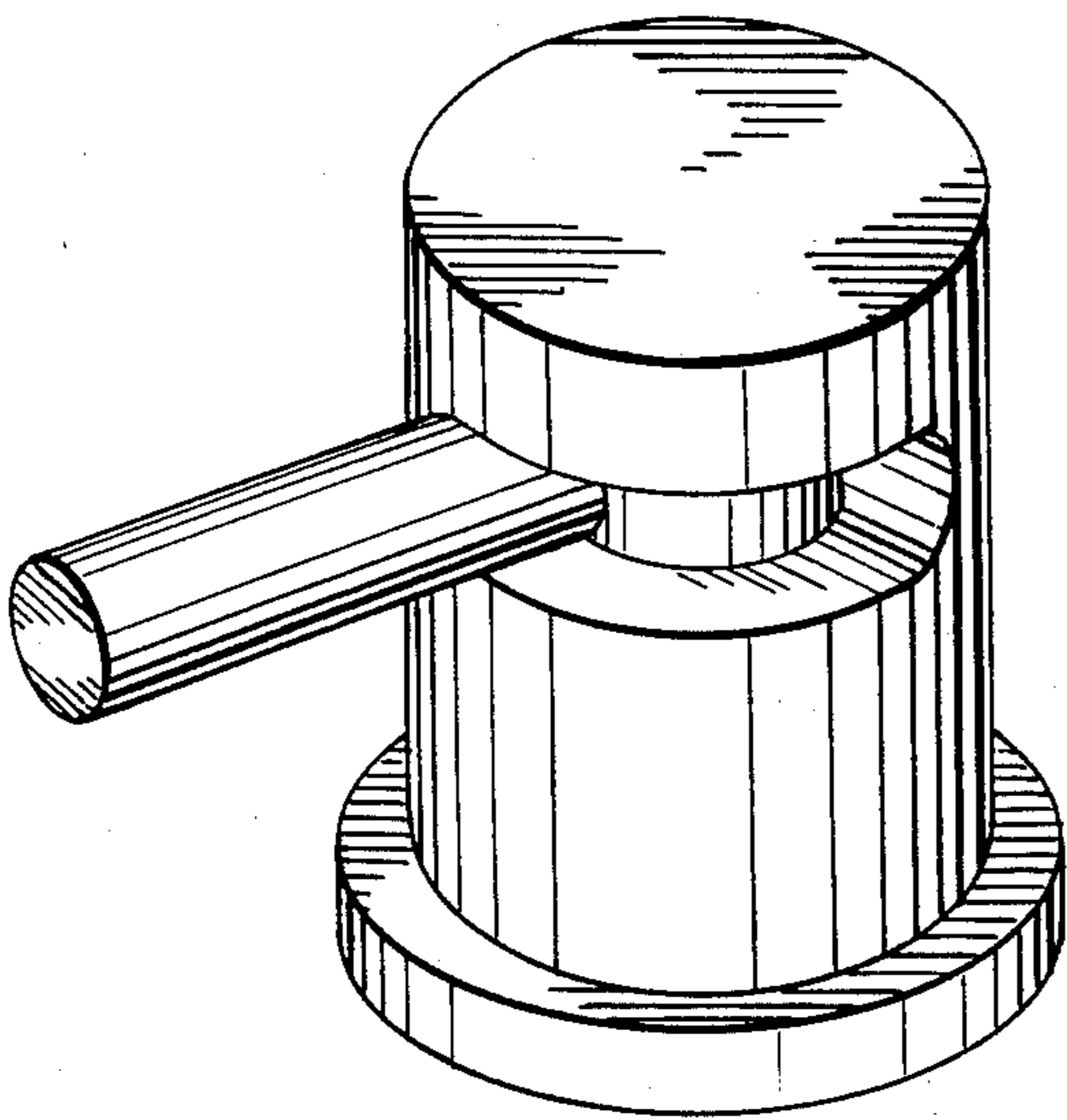


FIG. 2

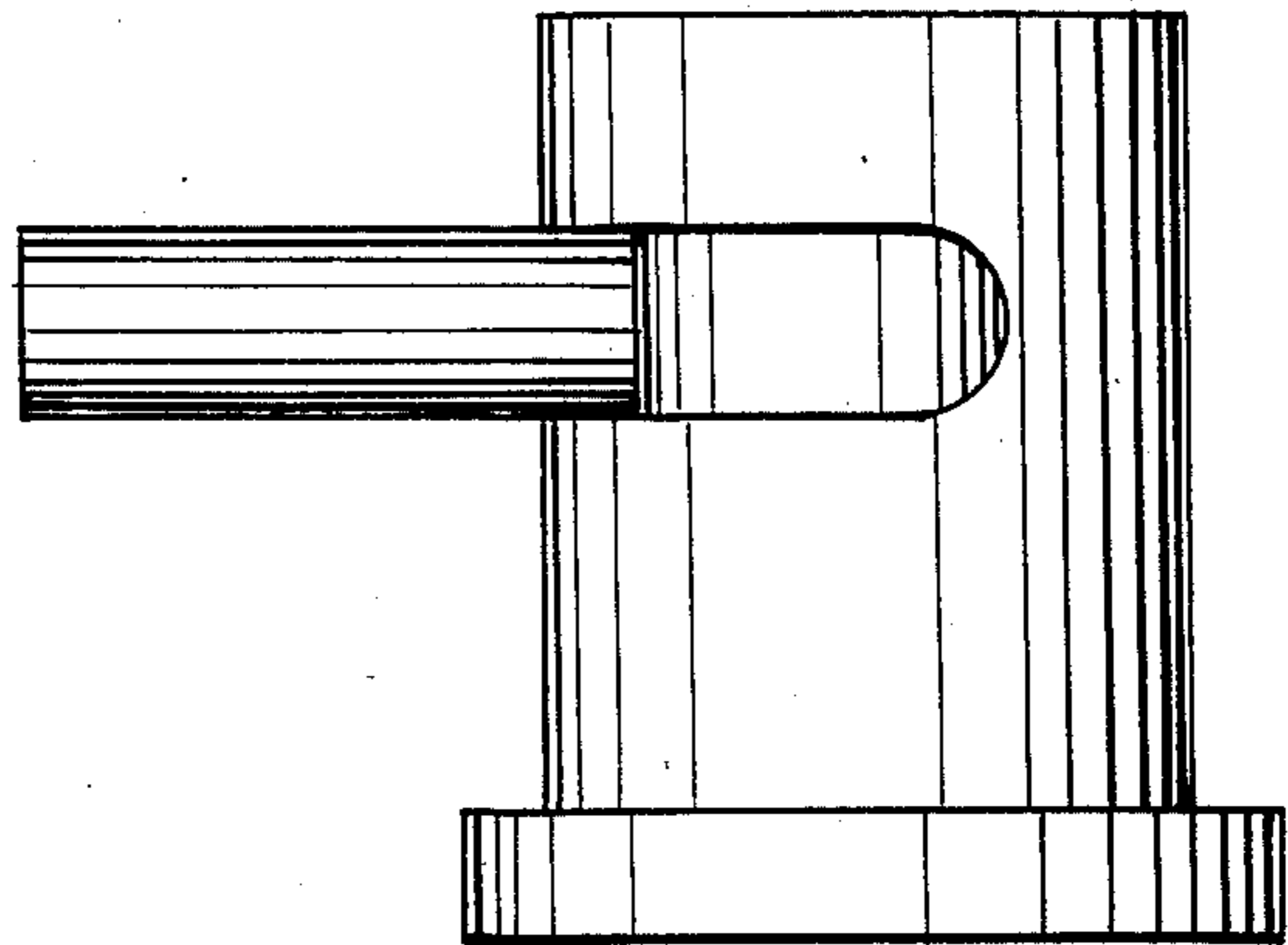


FIG. 3

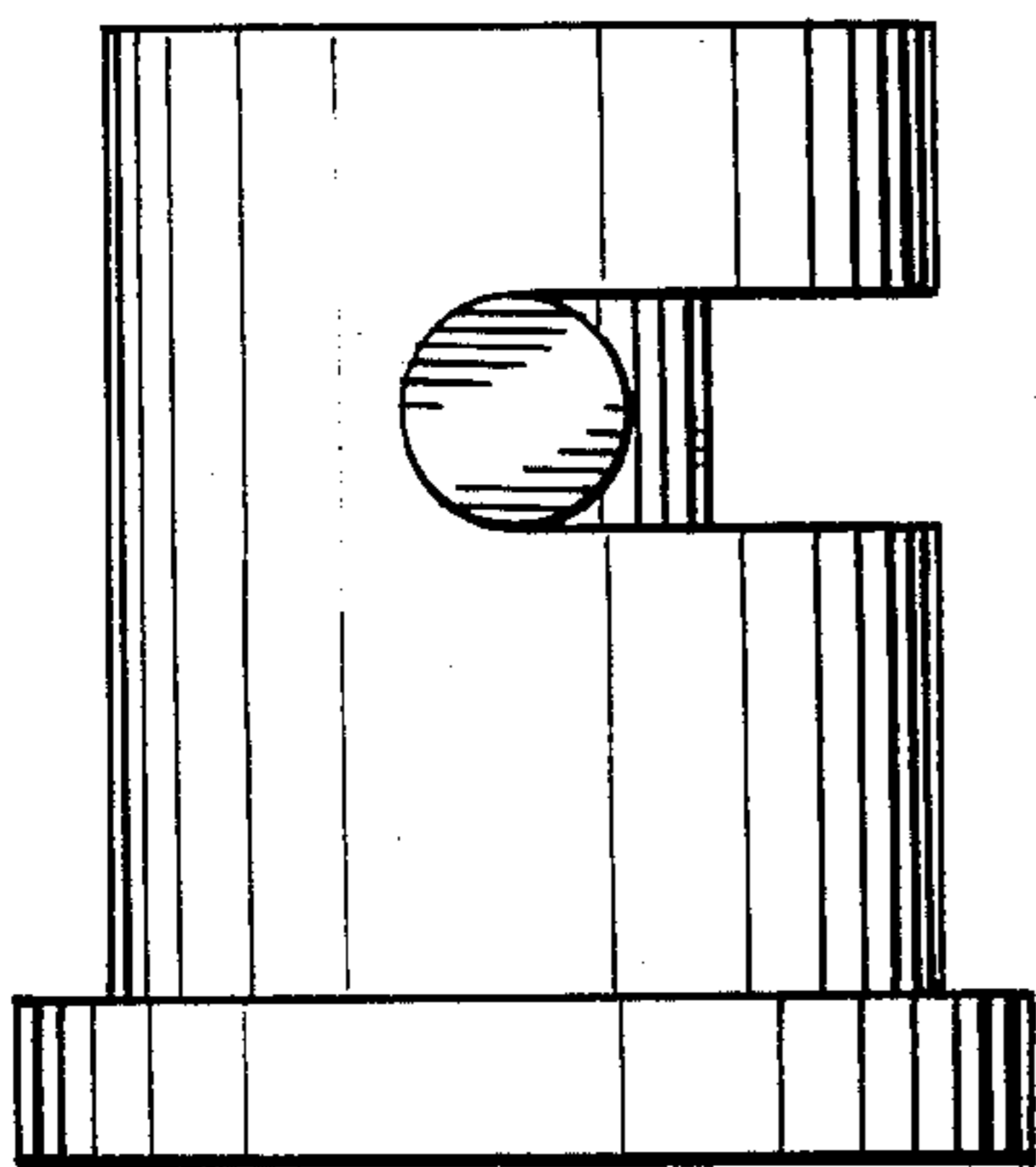


FIG. 4

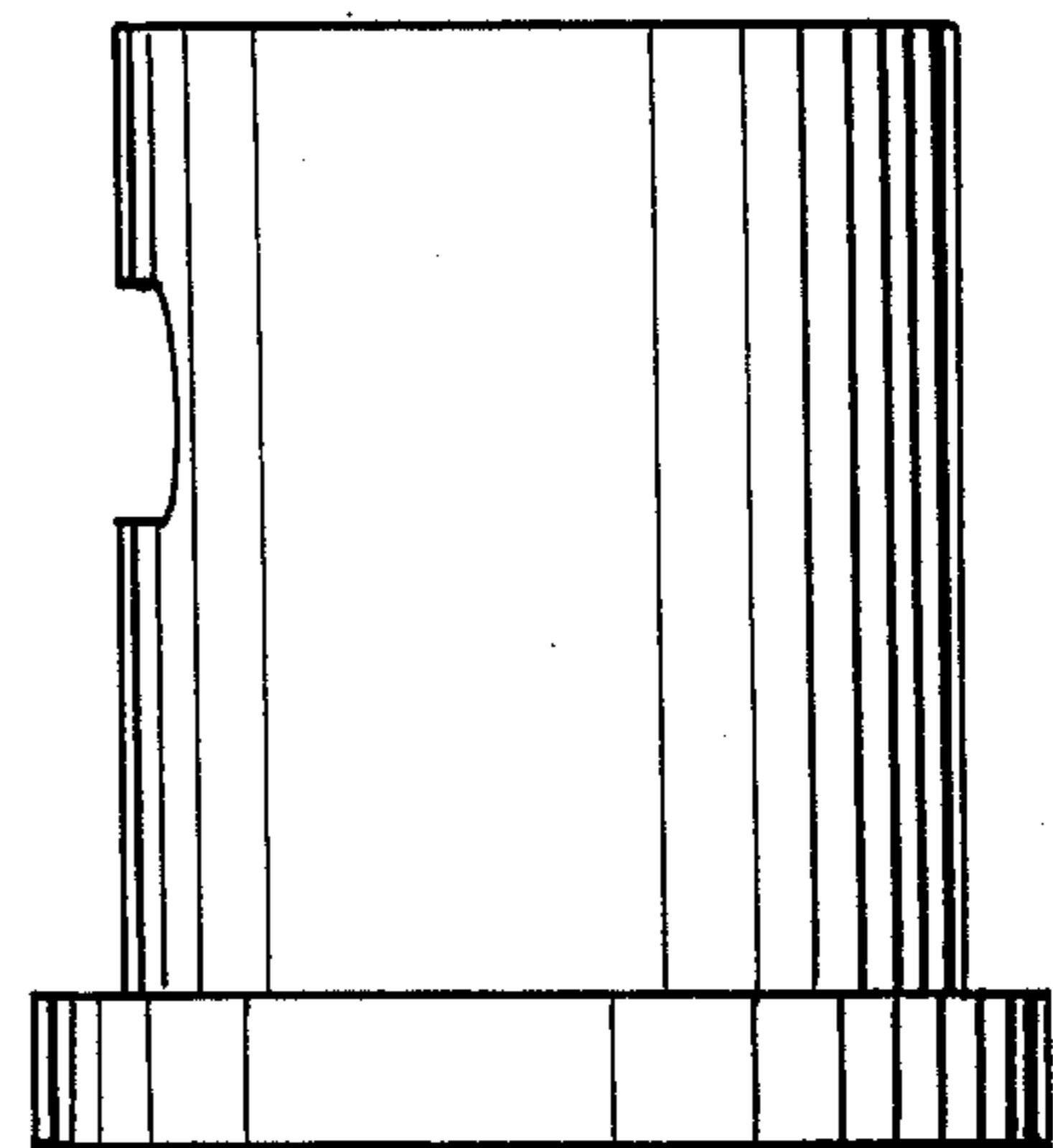


FIG. 5

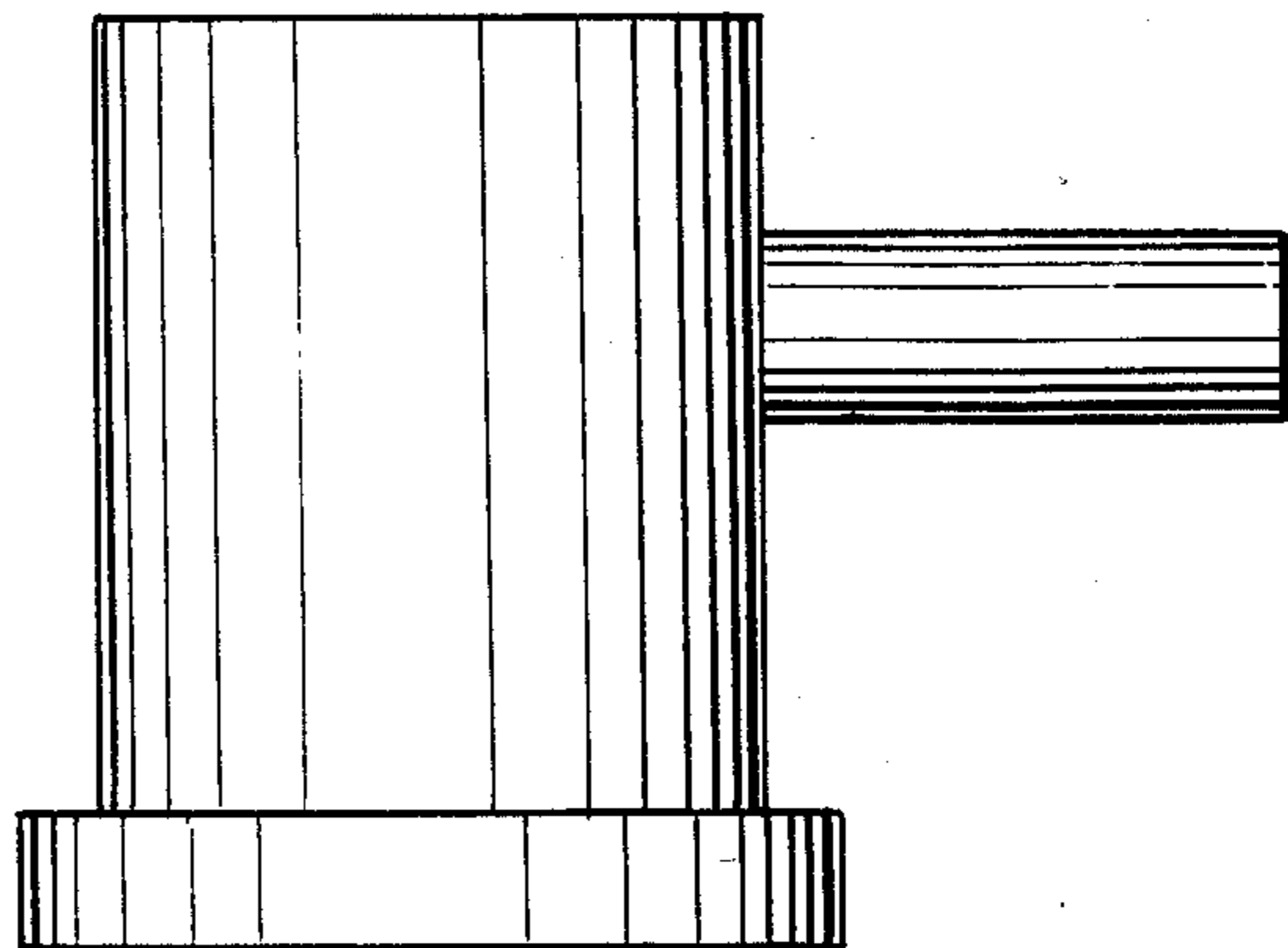


FIG. 6

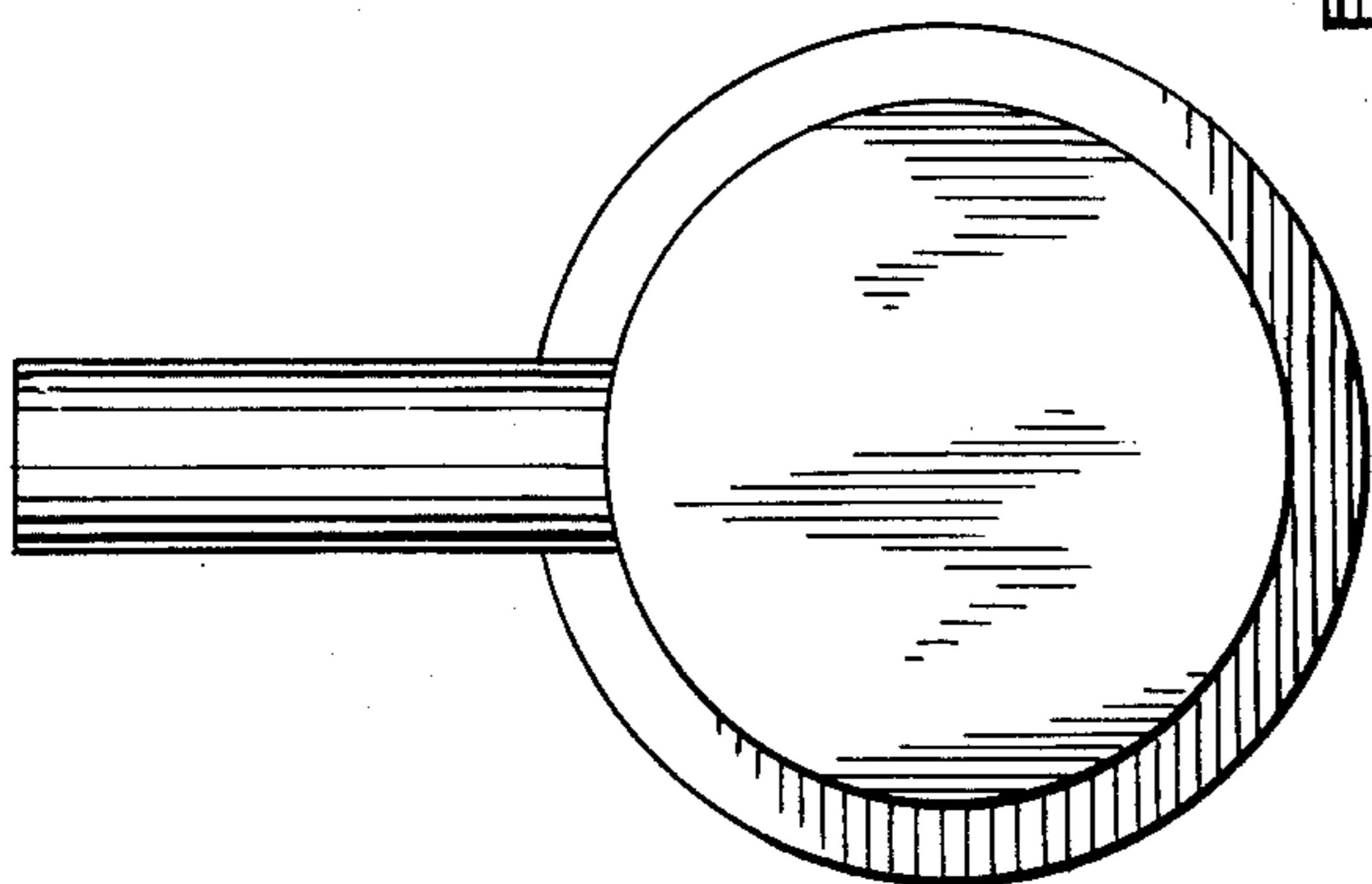


FIG. 7

