

[54] HANDLE FOR PLUMBING FITTING

[75] Inventor: Stanley M. Paul, Rye, N.Y.

[73] Assignee: Paul Associates, Inc., Long Island City, N.Y.

[**] Term: 14 Years

[21] Appl. No.: 896,745

[22] Filed: Aug. 13, 1986

[52] U.S. Cl. D23/252

[58] Field of Search D23/238-243, D23/250-254; D8/300, 307-312; 16/110, 118, 121

[56] References Cited

U.S. PATENT DOCUMENTS

- D. 265,229 6/1982 Paul D23/242
- D. 265,580 7/1982 Paul D23/242

- D. 267,110 11/1982 Arnolds D23/242
- D. 271,514 11/1983 Paul D23/242
- D. 278,458 4/1985 Paul D23/242
- D. 280,543 9/1985 Paul D23/242

Primary Examiner—James R. Largen
Attorney, Agent, or Firm—Darby & Darby

[57] CLAIM

The ornamental design for a handle for plumbing fitting, as shown and described.

DESCRIPTION

FIG. 1 is a perspective view of a handle for a plumbing fitting showing my new design;
 FIG. 2 is a front elevational view thereof;
 FIG. 3 is a left side elevational view thereof;
 FIG. 4 is a right side elevational view thereof;
 FIG. 5 is a rear elevational view thereof;
 FIG. 6 is a top plan view thereof; and
 FIG. 7 is a bottom plan view thereof.

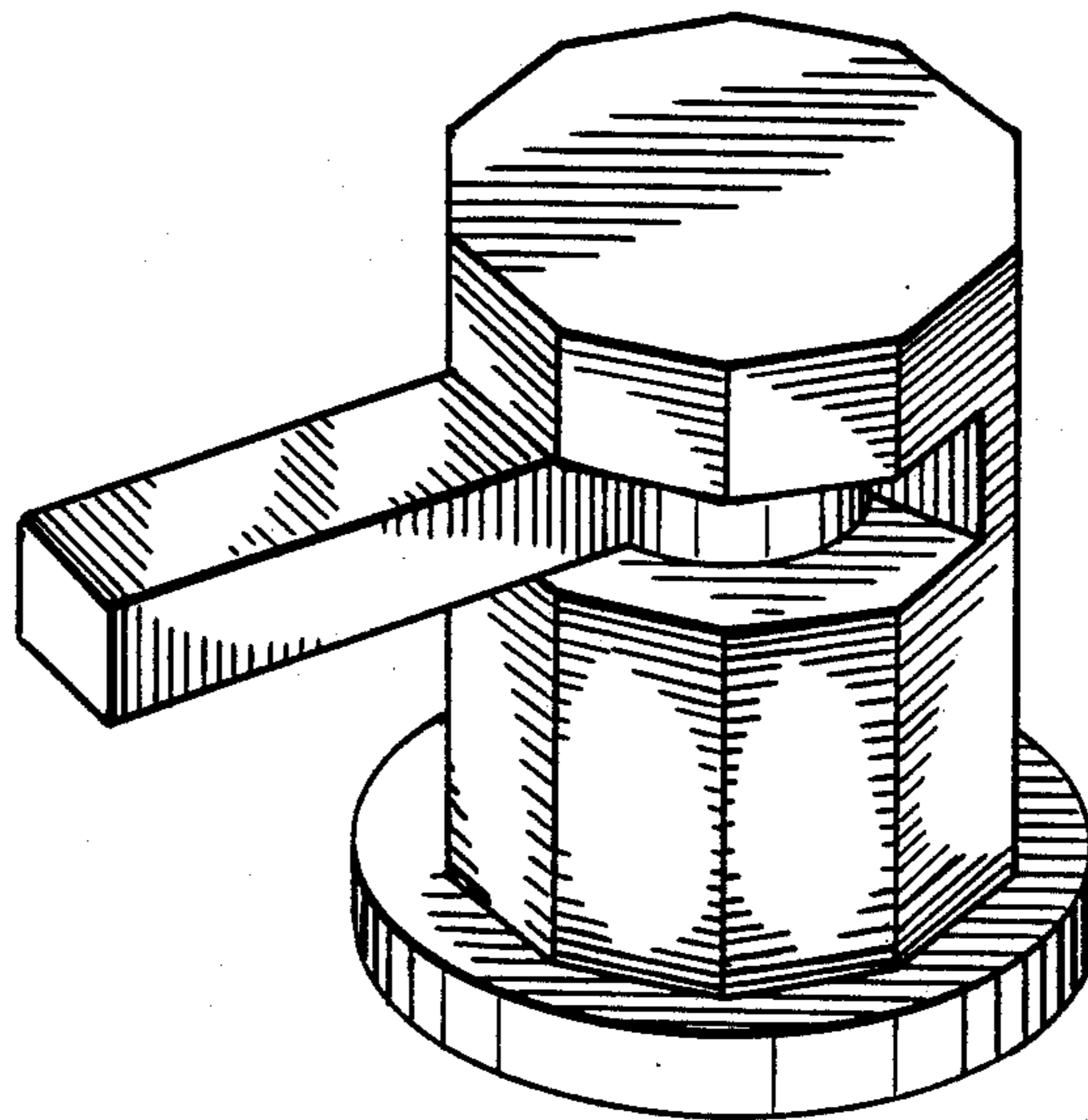


FIG. 1

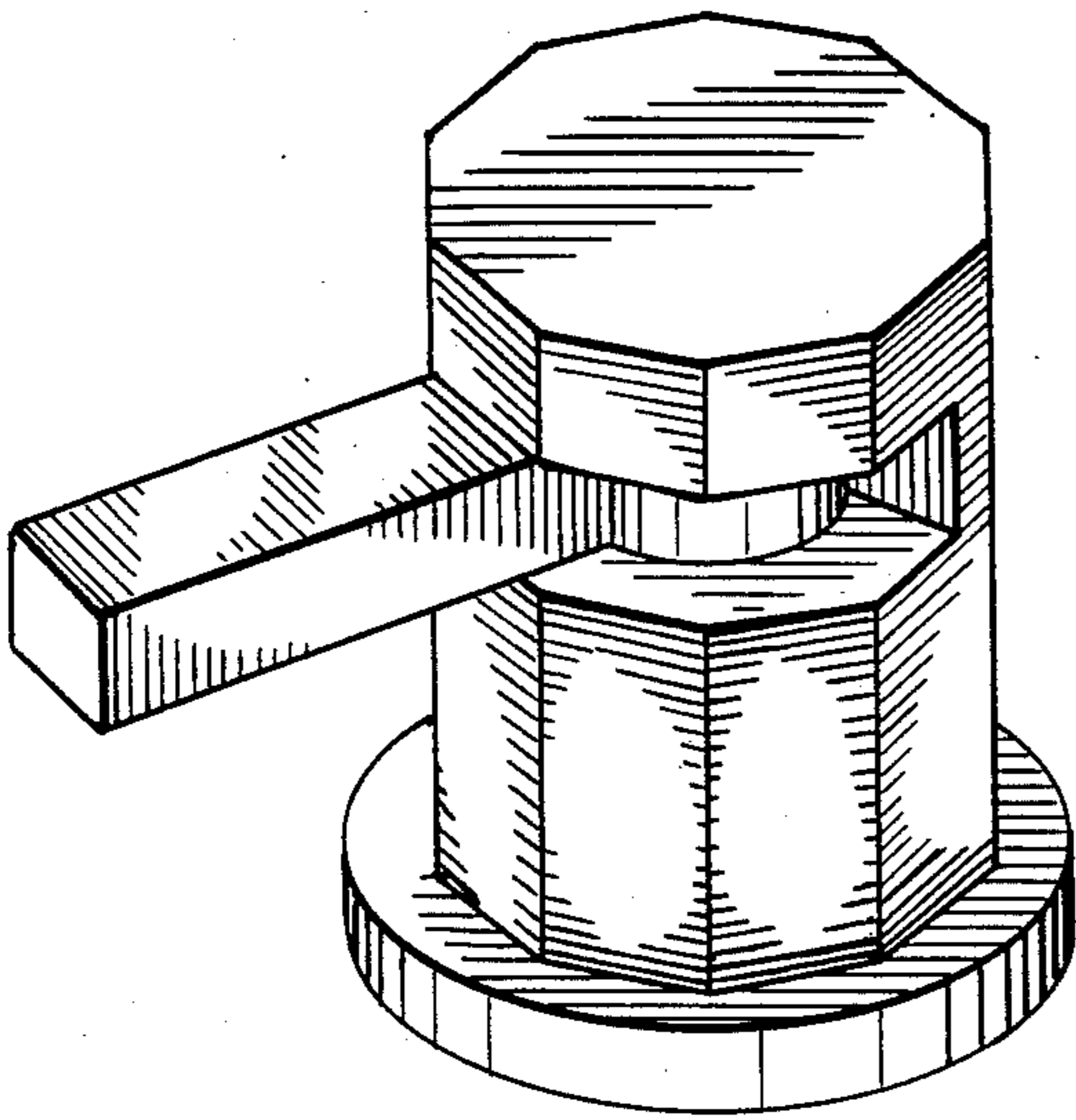


FIG. 2

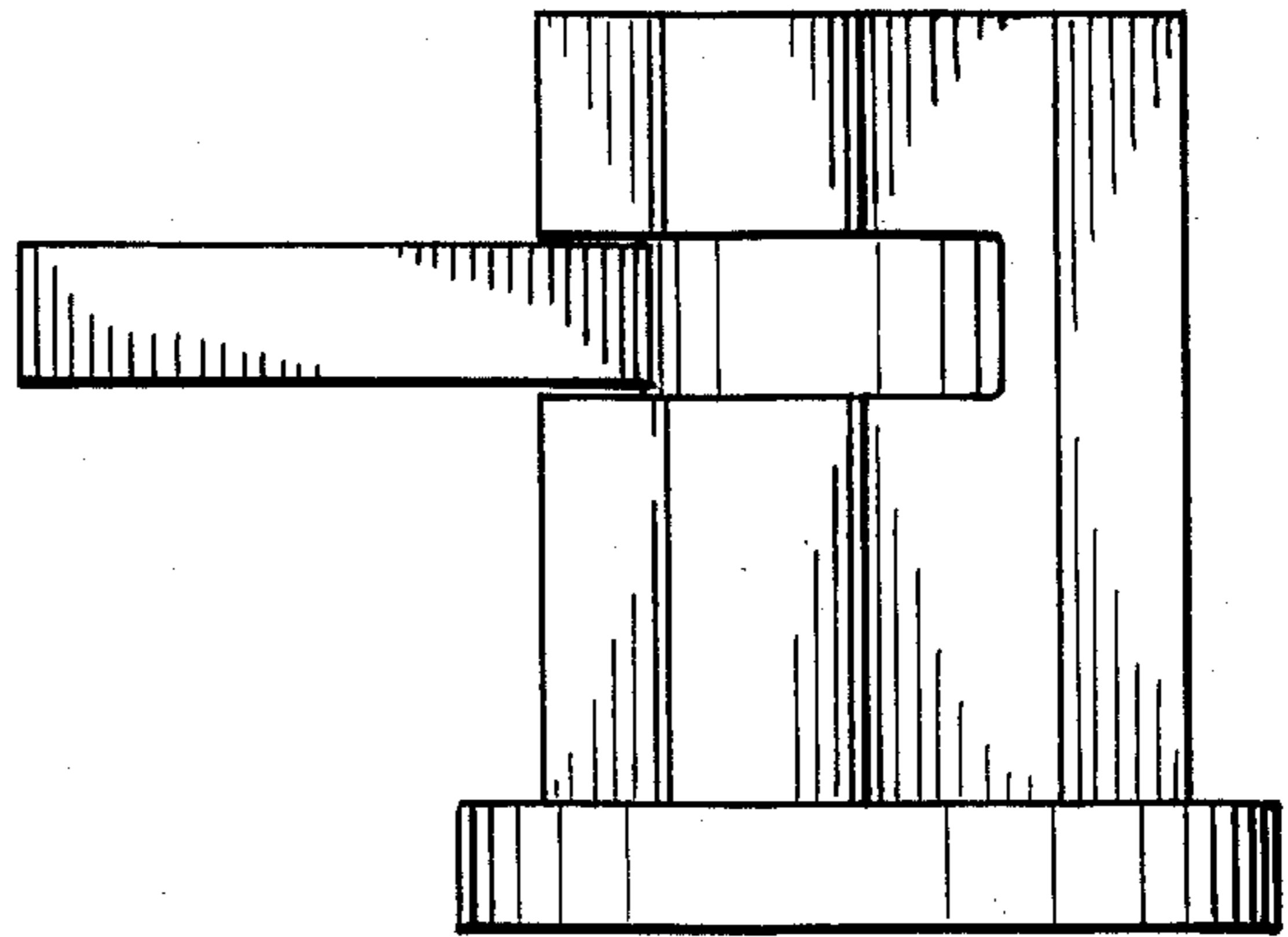


FIG. 4

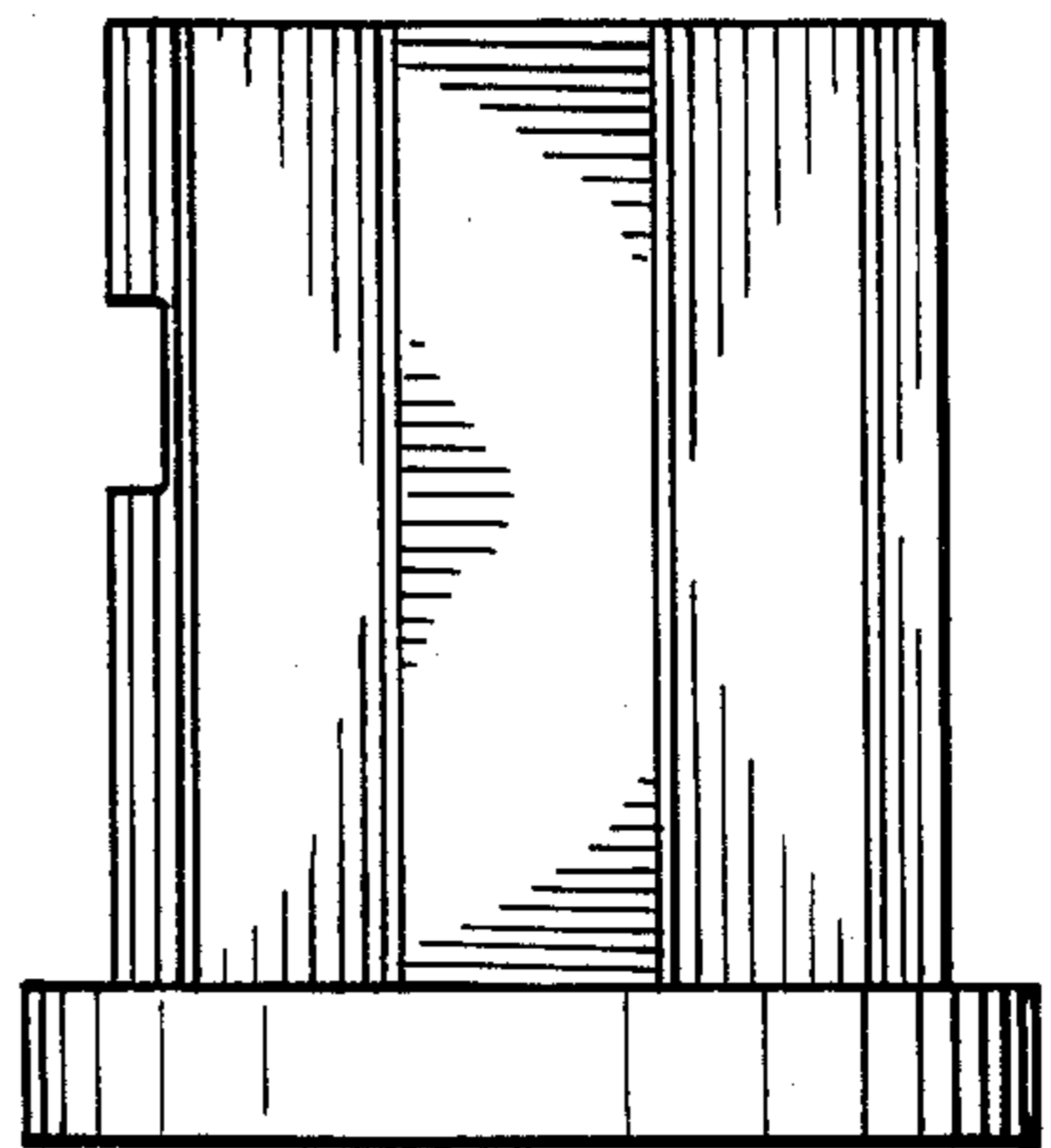


FIG. 3

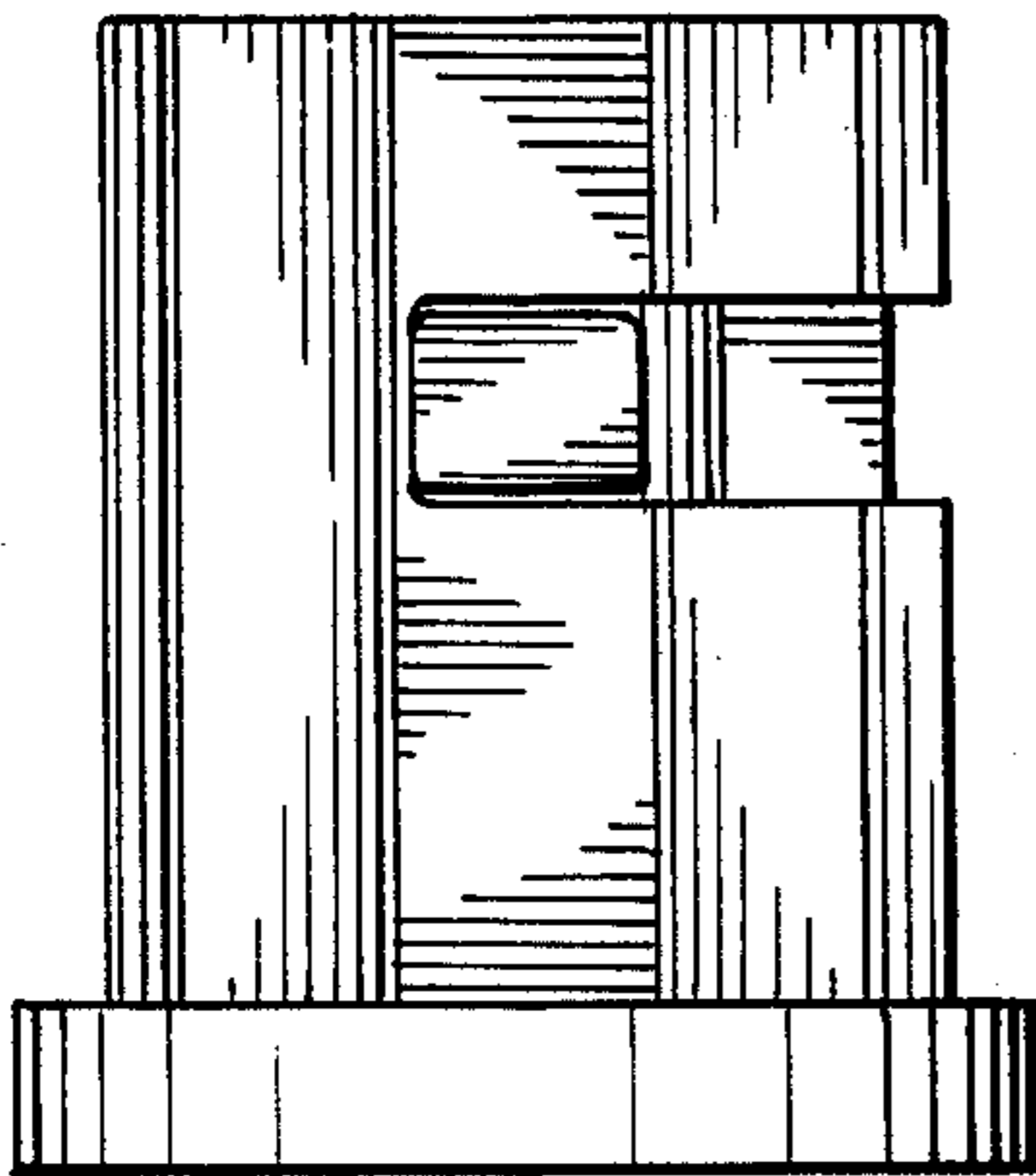


FIG. 5

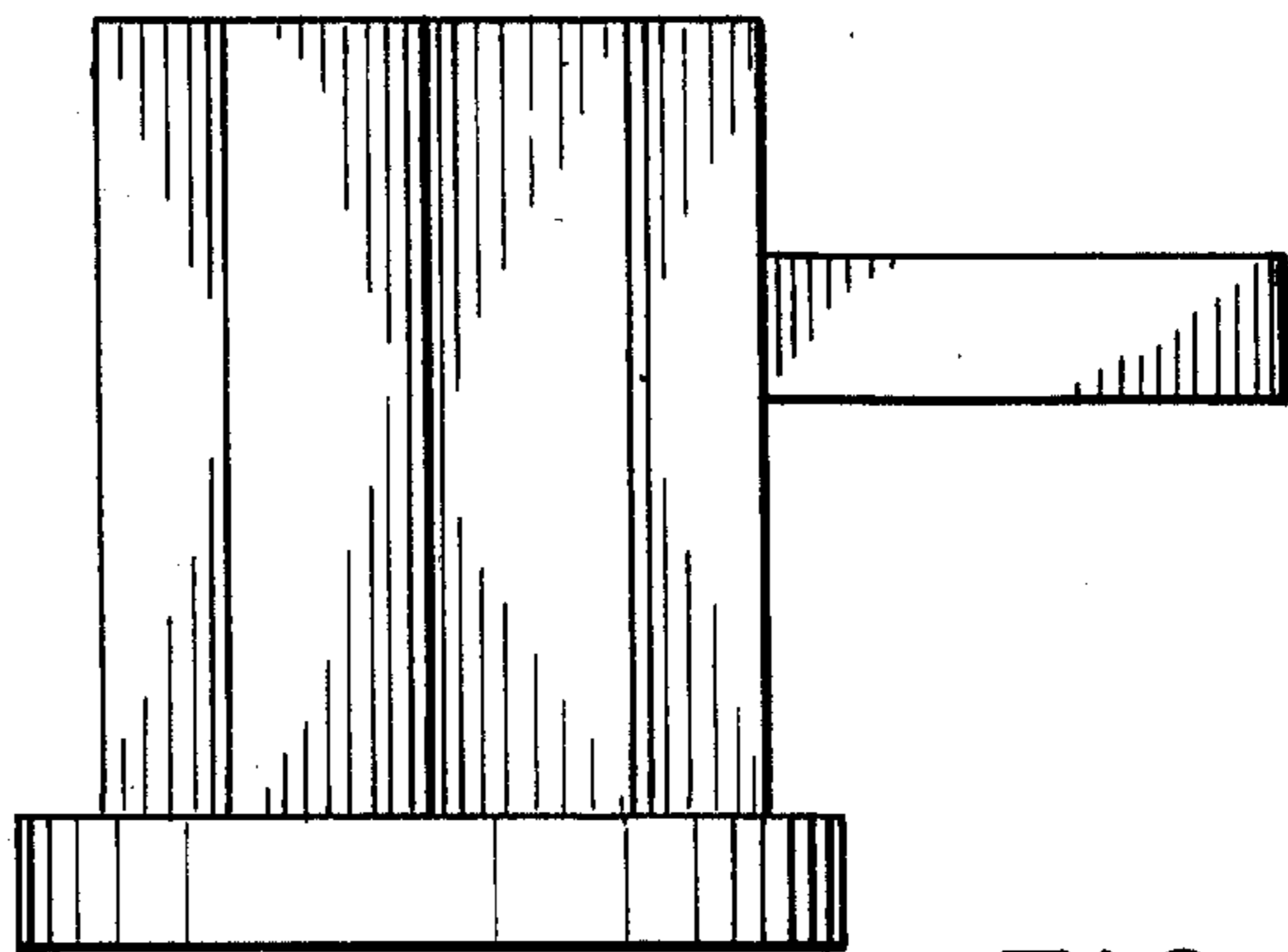


FIG. 6

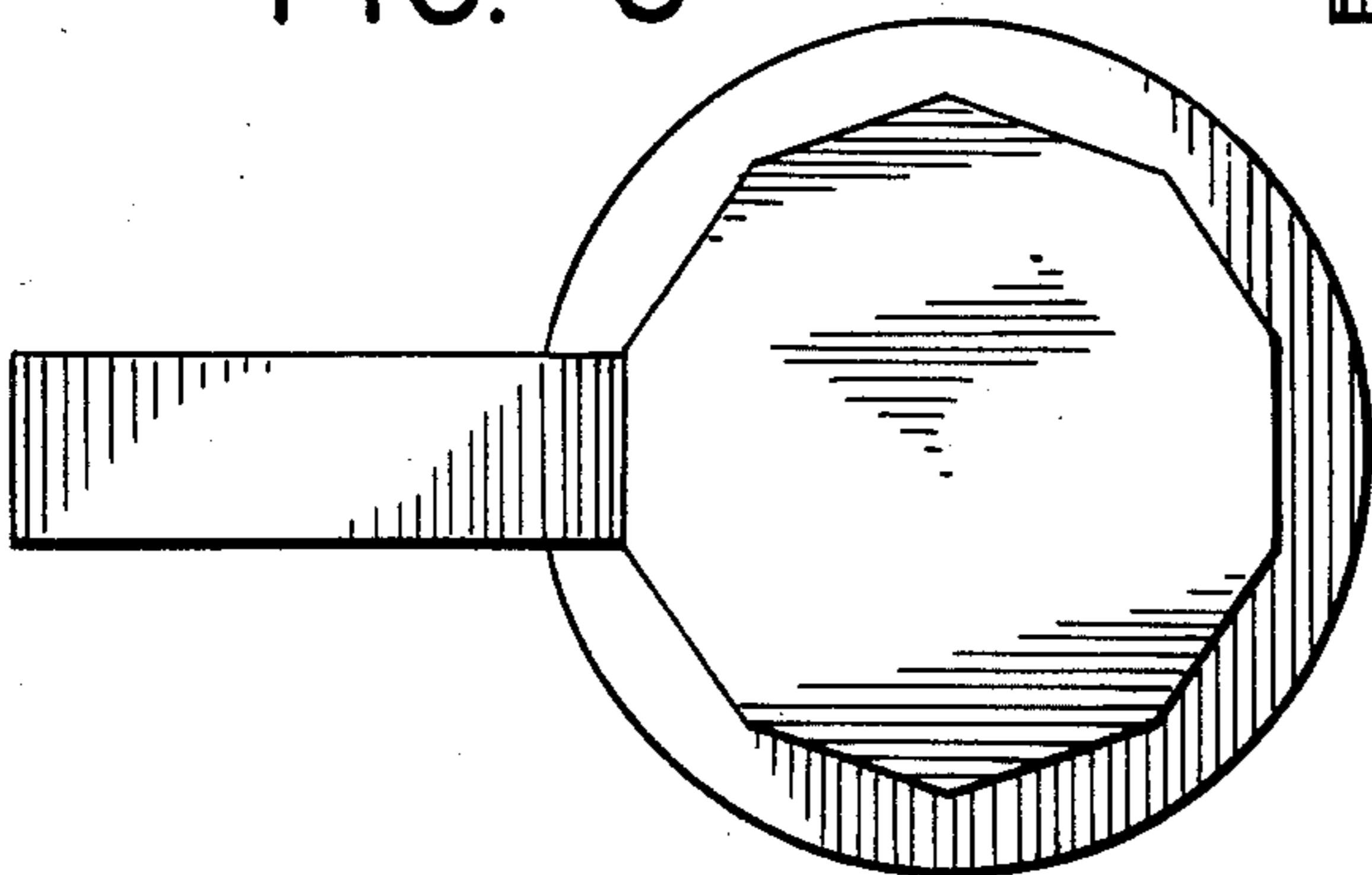


FIG. 7

