

[54] DUAL SHOWER HEAD UNIT

[76] Inventors: Steve Feher, 1909 Aleo Pl., Honolulu, Hi. 96822; Suresh C. Jhaveri, 345 S. Queen, Honolulu, Hi. 96814

[\*\*] Term: 14 Years

[21] Appl. No.: 859,766

[22] Filed: May 5, 1986

[52] U.S. Cl. .... D23/229

[58] Field of Search ..... D23/213, 222-230; 239/289, 447, 460, 551, 565

[56] References Cited

U.S. PATENT DOCUMENTS

- D. 191,428 9/1961 Leighton ..... D23/229
- 1,781,785 11/1930 Kerr ..... 239/565 X
- 3,547,352 12/1970 Hadsel ..... 239/460 X

- 3,563,469 2/1971 Stacey ..... 239/460 X
- 3,913,839 10/1975 Wilson ..... 239/551 X

Primary Examiner—James R. Largen  
Attorney, Agent, or Firm—George J. Netter

[57] CLAIM

The ornamental design for a dual shower head unit, as shown and described.

DESCRIPTION

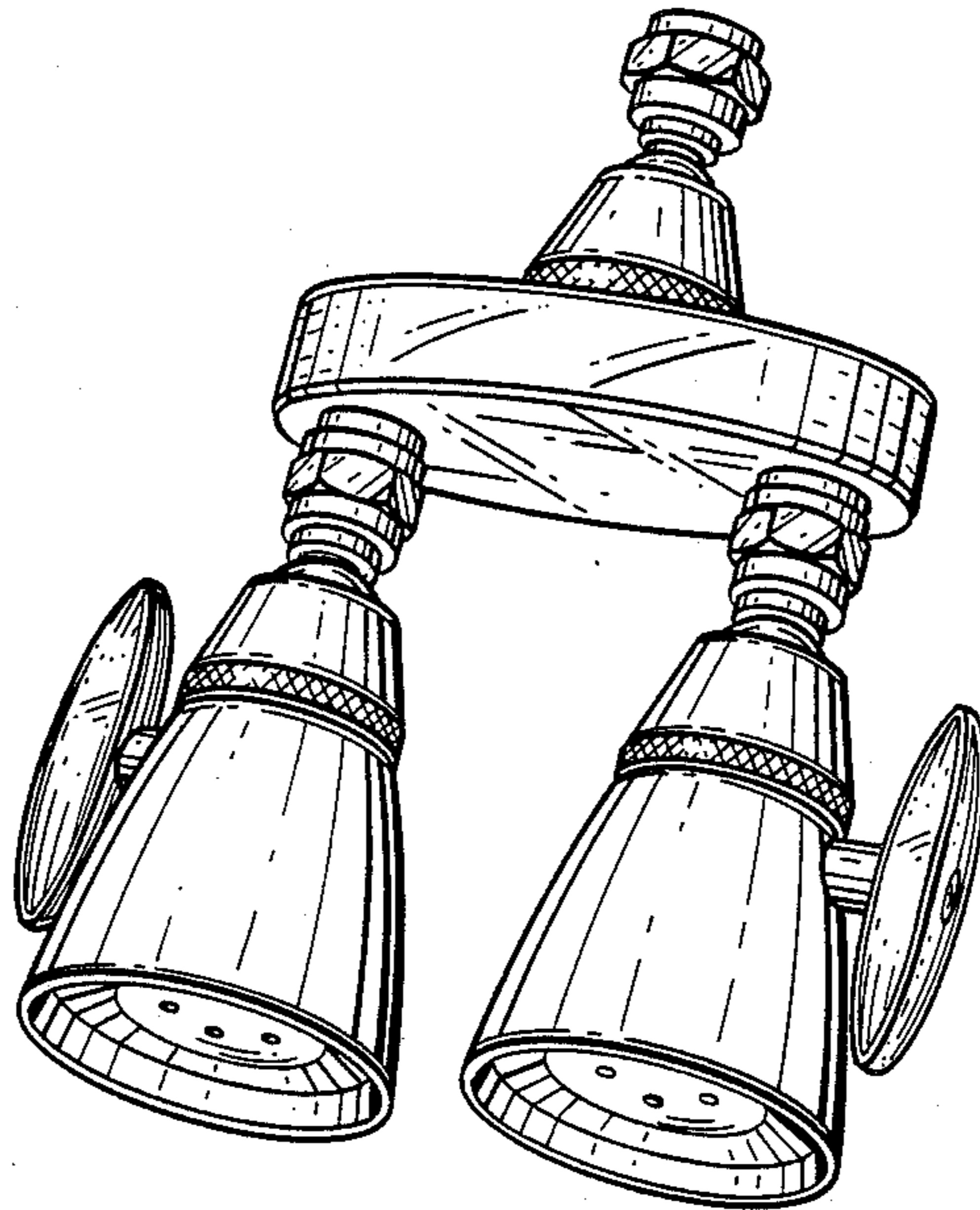
FIG. 1 is a perspective view taken from the bottom, front and right side of a dual shower head unit showing our new design;

FIG. 2 is a right side elevational view thereof, the left side being the same as the right side shown;

FIG. 3 is a top plan view thereof;

FIG. 4 is a bottom plan view thereof; and

FIG. 5 is a front elevational view thereof, the rear being the same as the front shown.



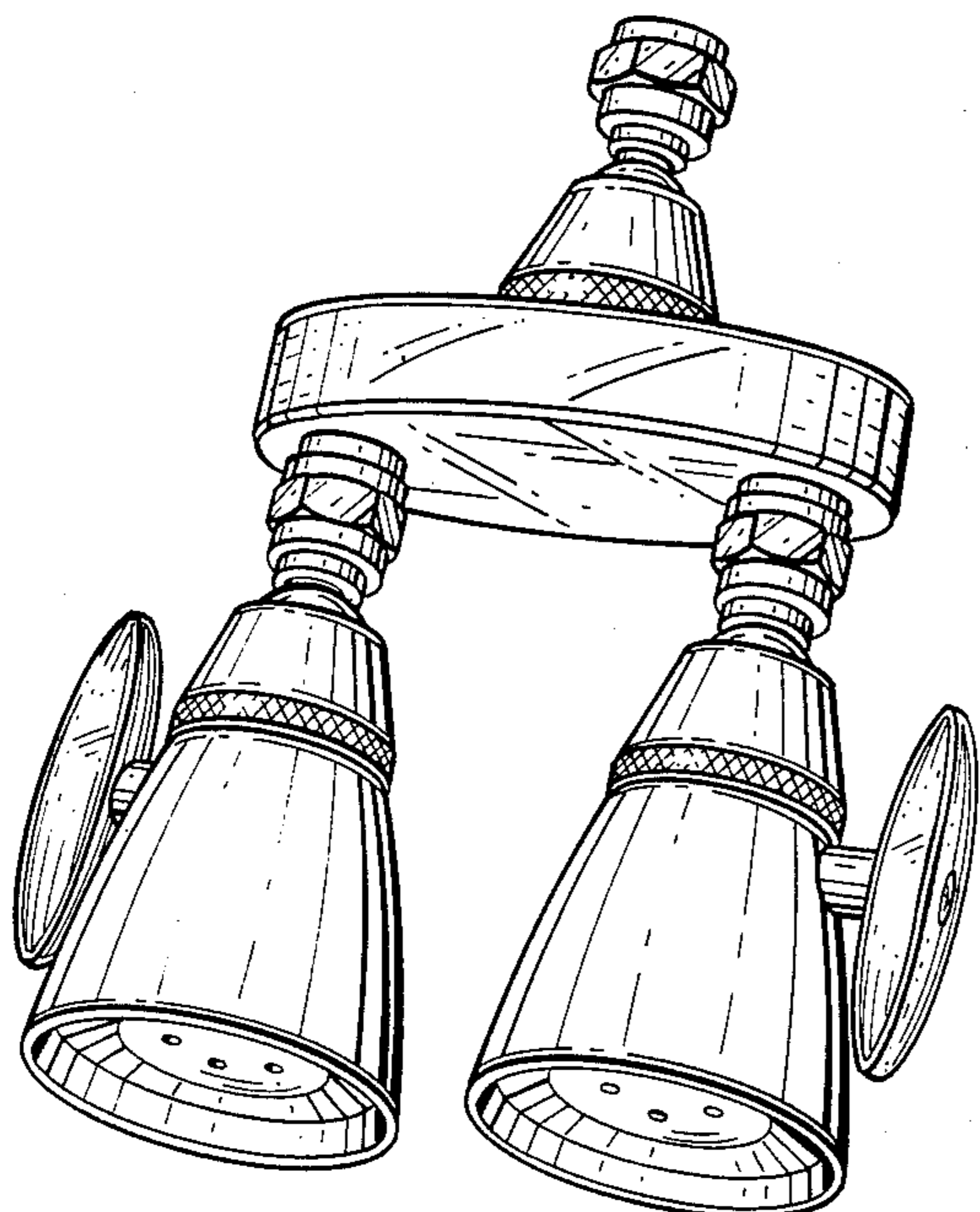


FIG. 1

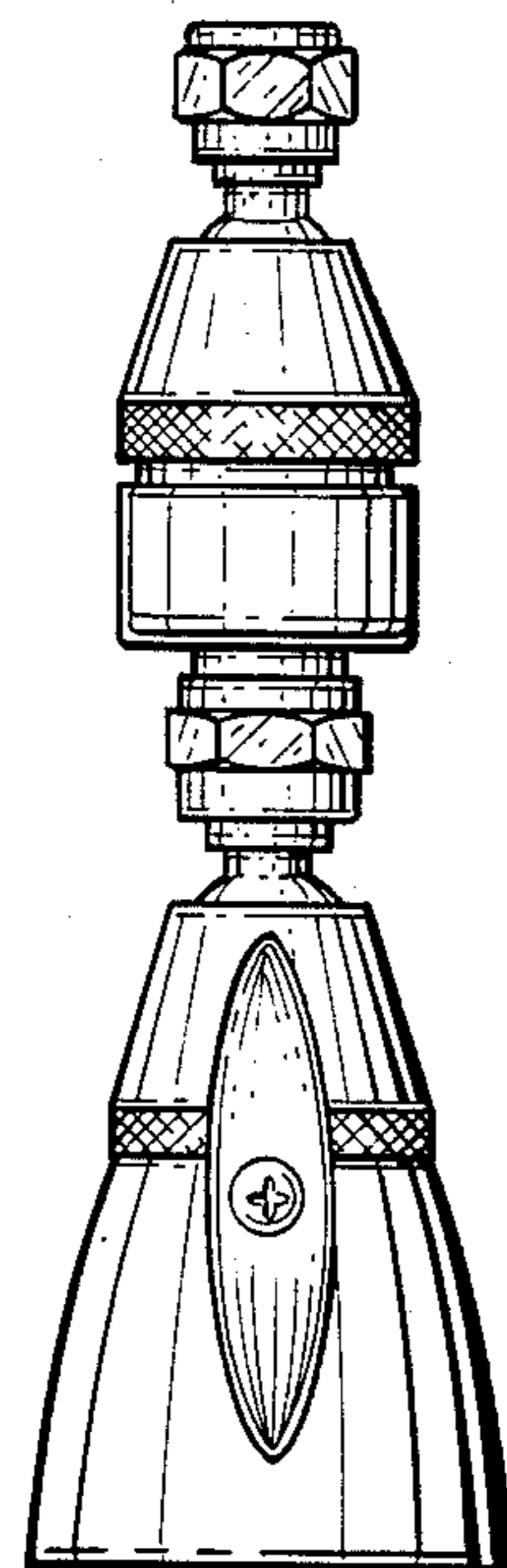


FIG. 2

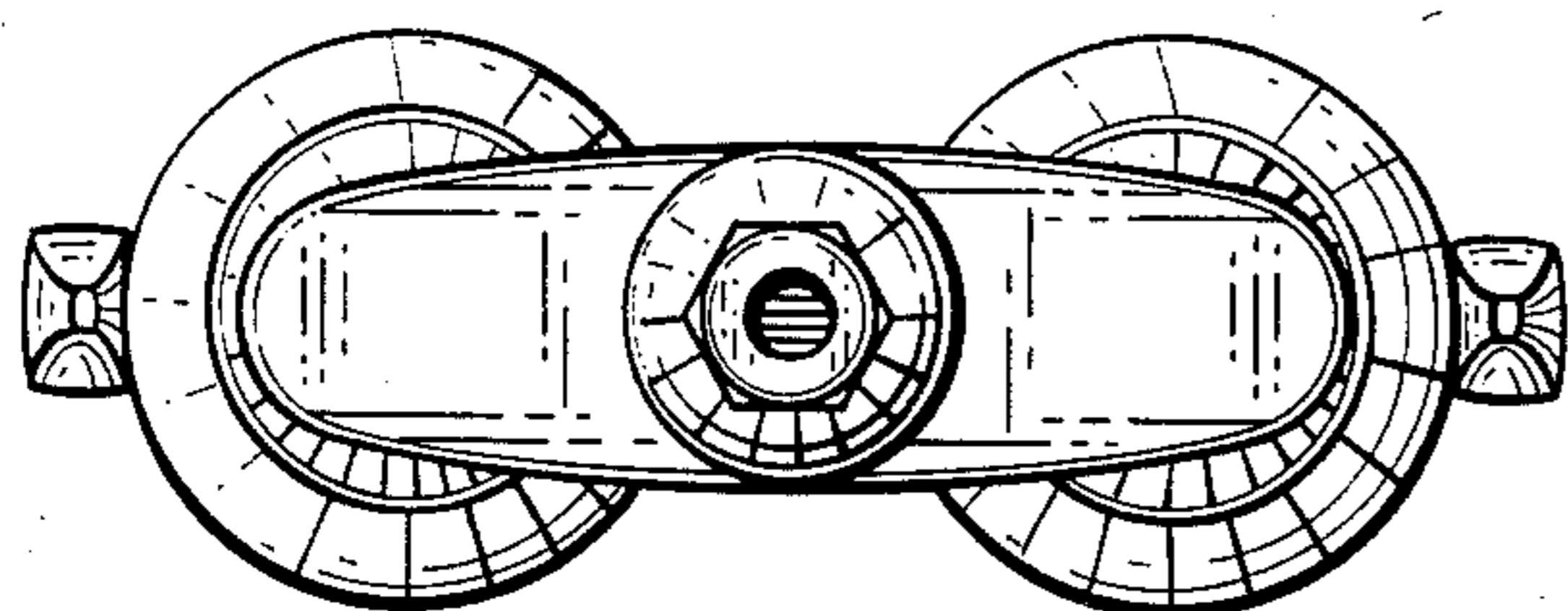


FIG. 3

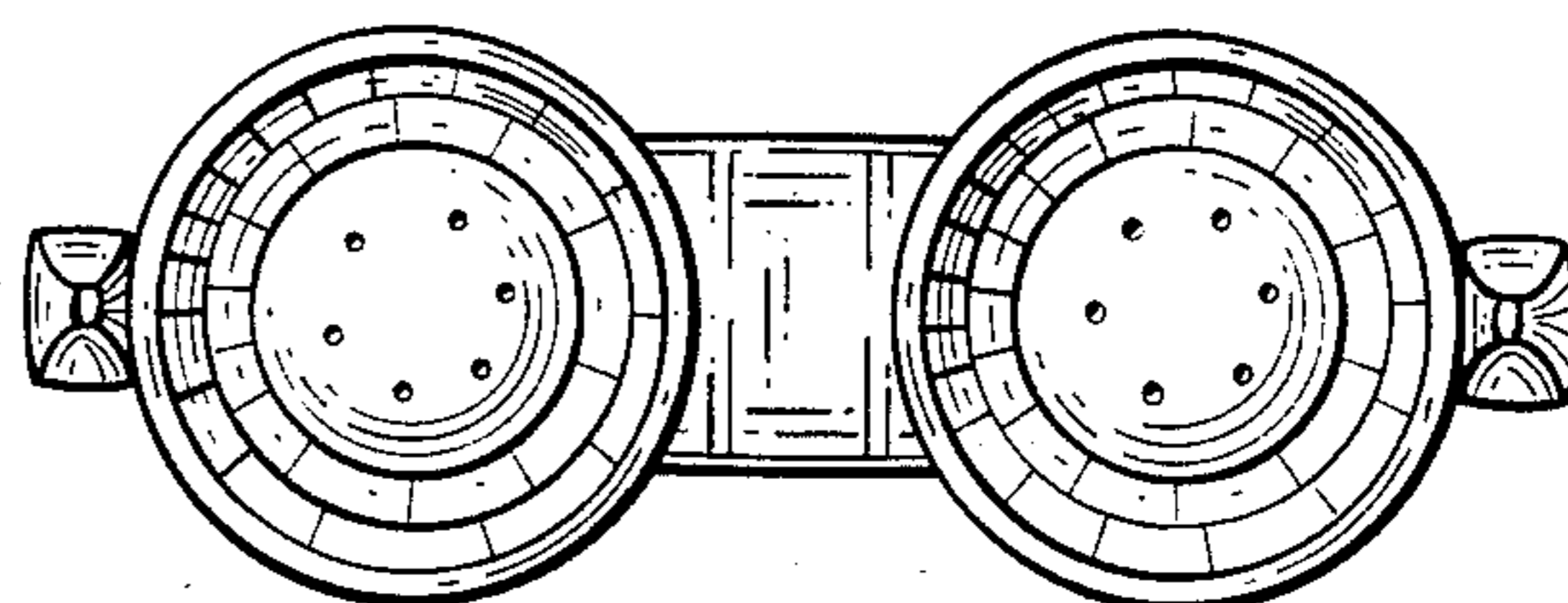


FIG. 4

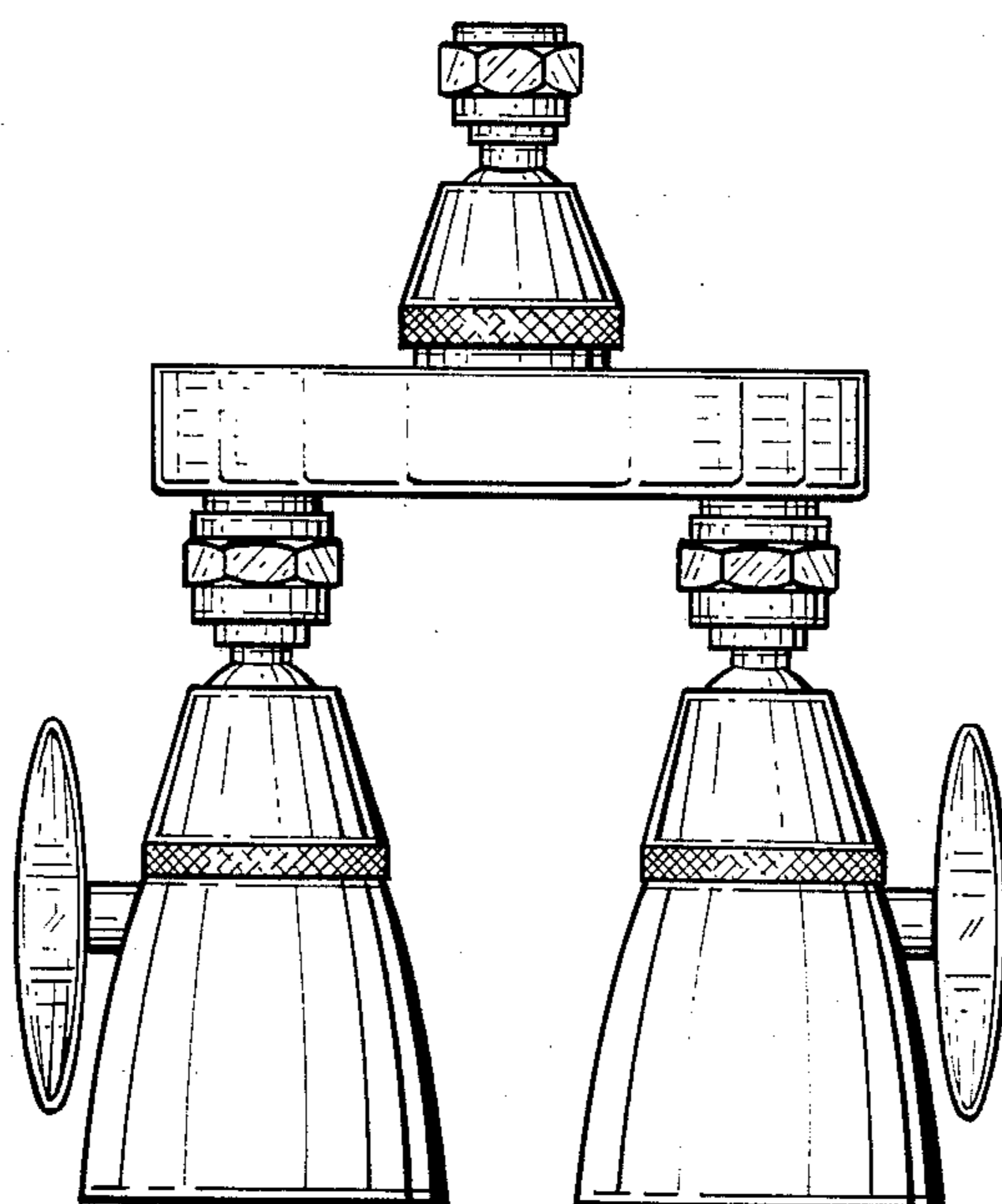


FIG. 5