

United States Patent [19]

Doi et al.

[11] Patent Number: **Des. 299,849**

[45] Date of Patent: **** Feb. 14, 1989**

[54] **FISHING REEL**

[75] Inventors: **Tetsuyuki Doi, Hiroshima; Etsuo Hiraishi, Tokyo, both of Japan**

[73] Assignee: **Ryobi Ltd, Hiroshima, Japan**

[**] Term: **14 Years**

[21] Appl. No.: **932,994**

[22] Filed: **Nov. 19, 1986**

[30] **Foreign Application Priority Data**

Jun. 18, 1986 [JP] Japan 61-23820
[52] U.S. Cl. **D22/141**
[58] Field of Search **D22/141; 242/84.1 R, 242/84.2 R, 84.2 J**

[56] **References Cited**

U.S. PATENT DOCUMENTS

D. 260,804 9/1981 Sakamoto et al. D22/141
D. 269,031 5/1983 Kanamaru et al. D22/141
4,369,930 1/1983 Noda D22/141

Primary Examiner—A. Hugo Word
Attorney, Agent, or Firm—Sughrue, Mion, Zinn, Macpeak & Seas

[57] **CLAIM**

The ornamental design for a fishing reel, as shown.

DESCRIPTION

FIG. 1 is a front, top and right side perspective view of a fishing reel showing our new design;
FIG. 2 is a right side elevational view thereof;
FIG. 3 is a left side elevational view thereof;
FIG. 4 is a front elevational view thereof;
FIG. 5 is a rear elevational view thereof;
FIG. 6 is a top plan view thereof; and
FIG. 7 is a bottom plan view thereof.

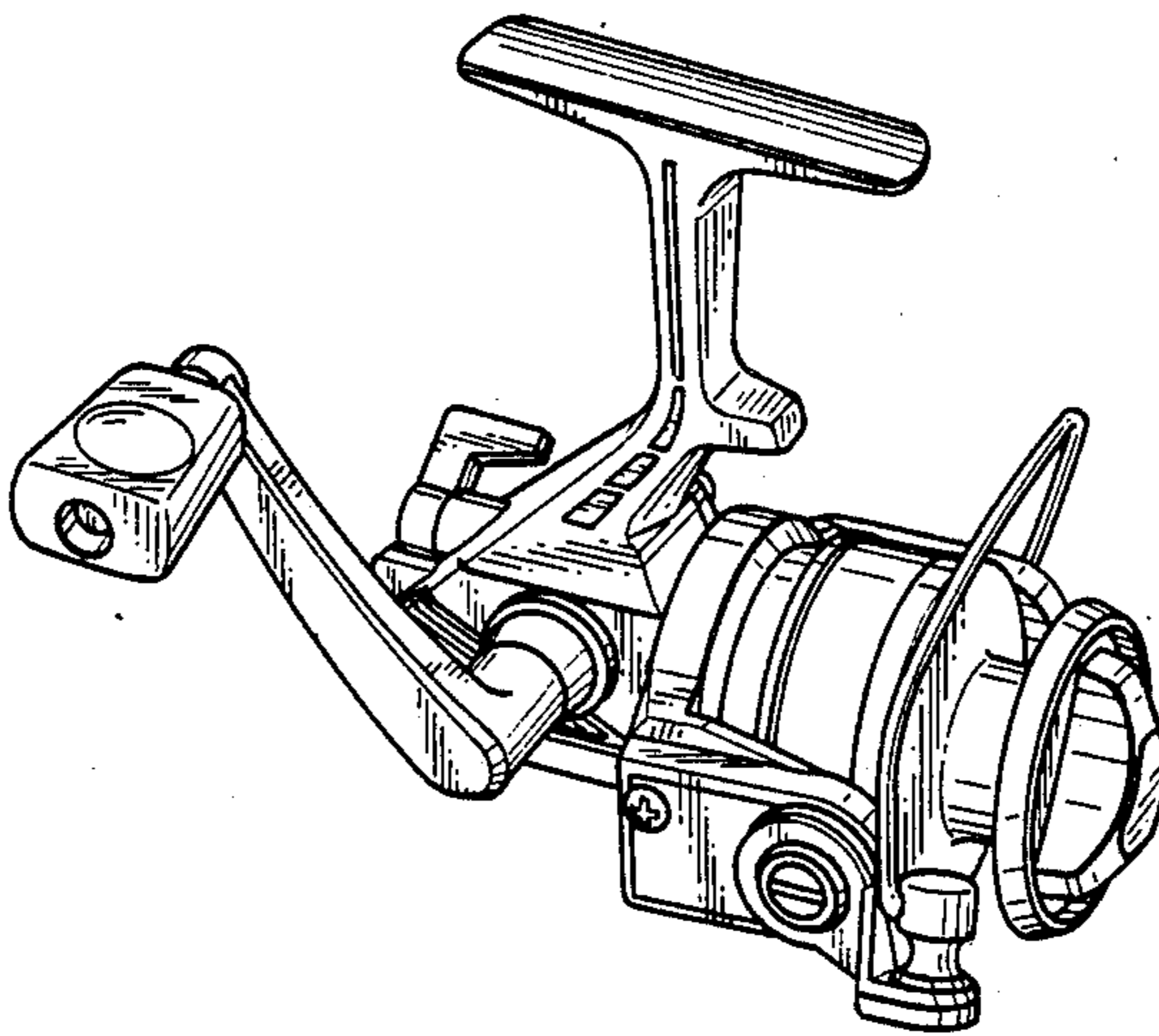


Fig. 1

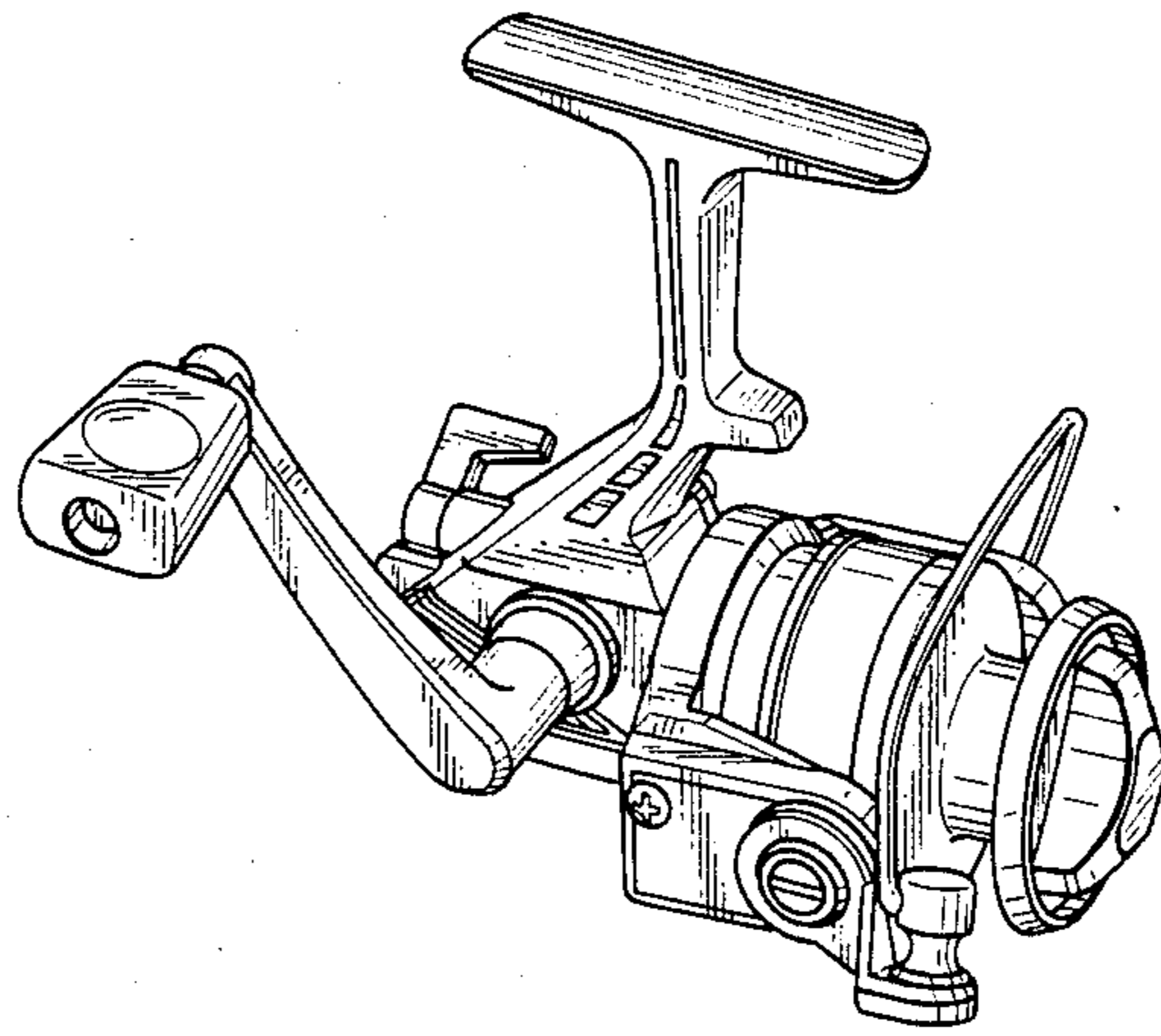


Fig. 2

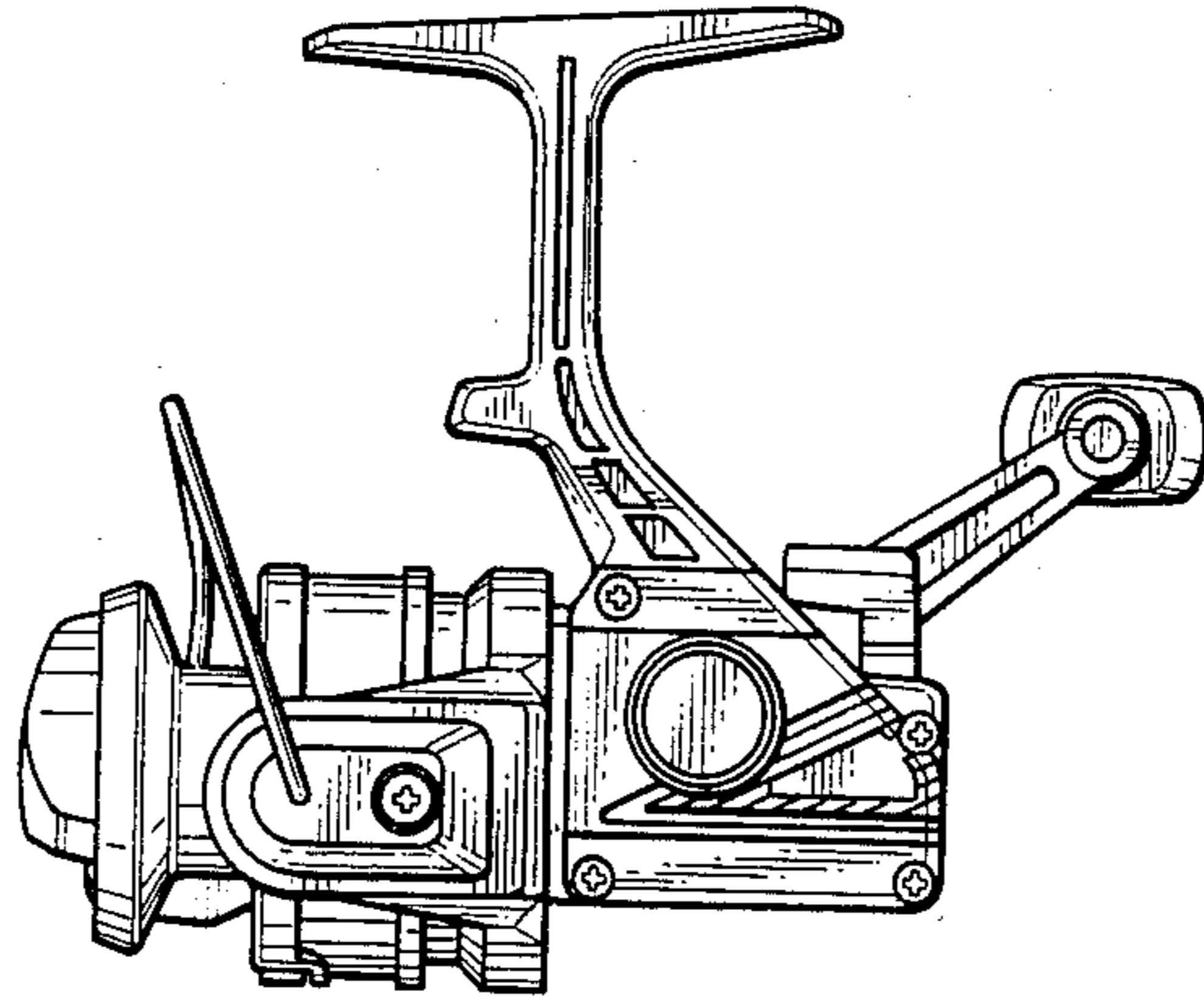


Fig. 3

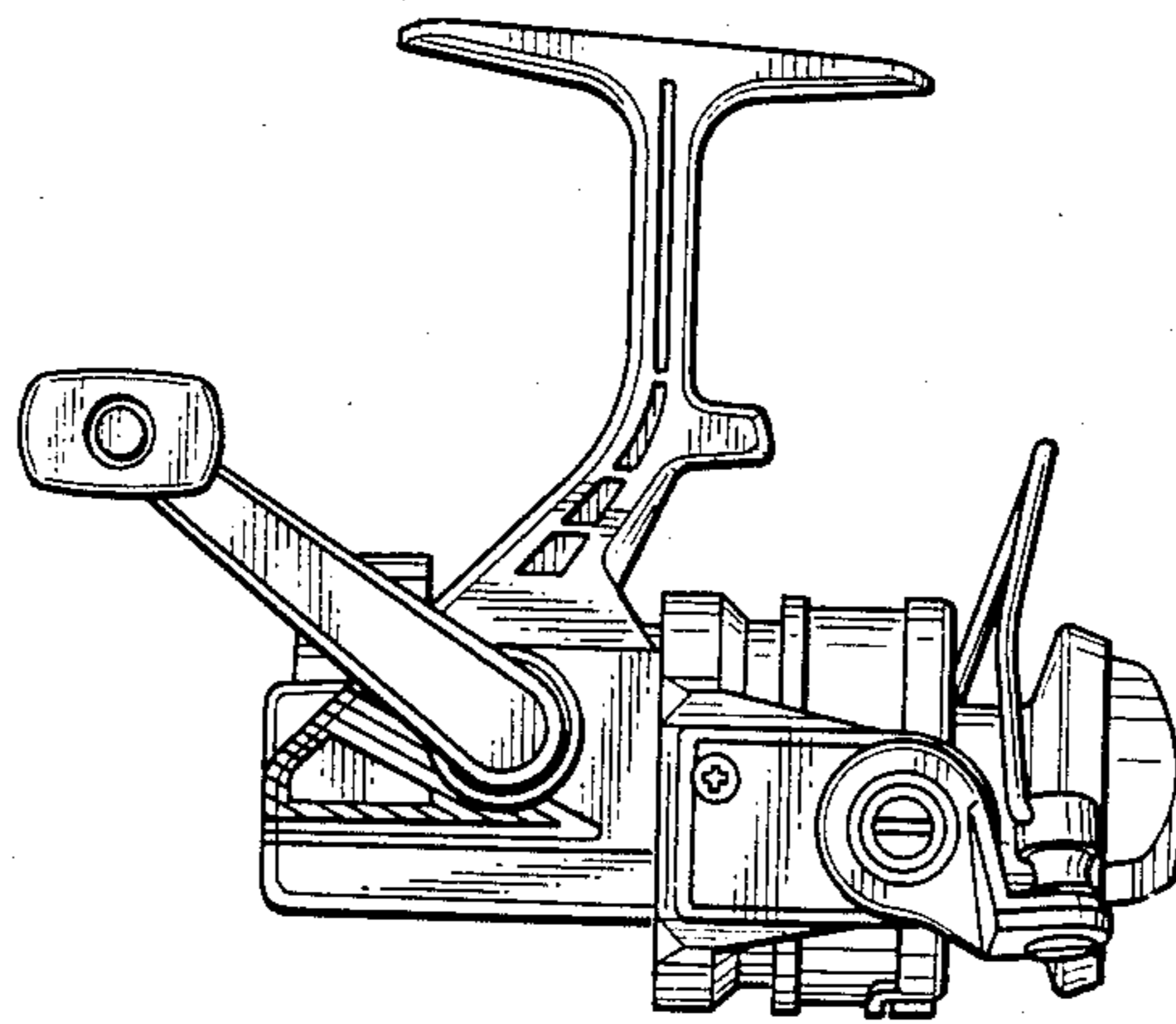


Fig. 4

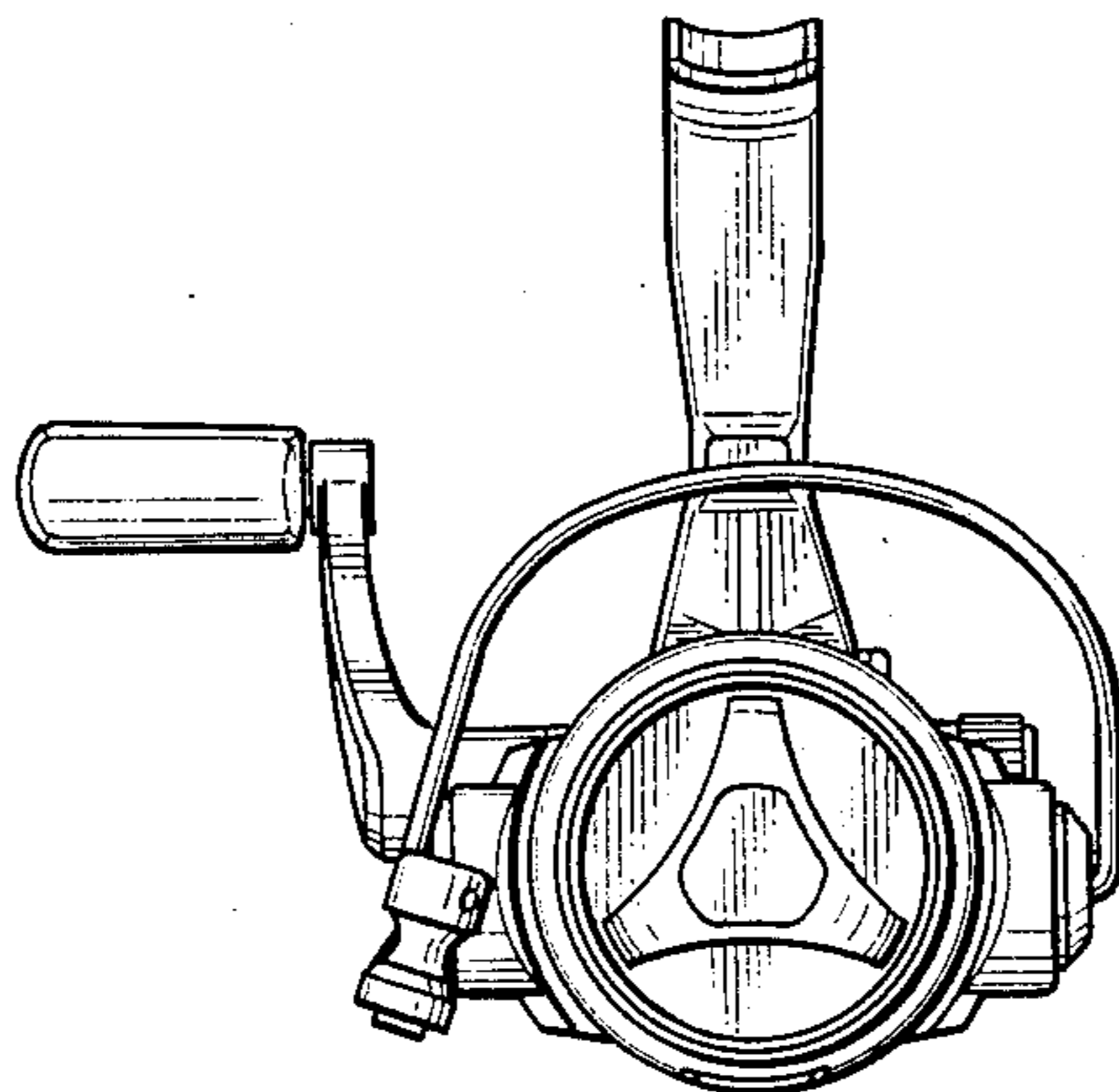


Fig. 5

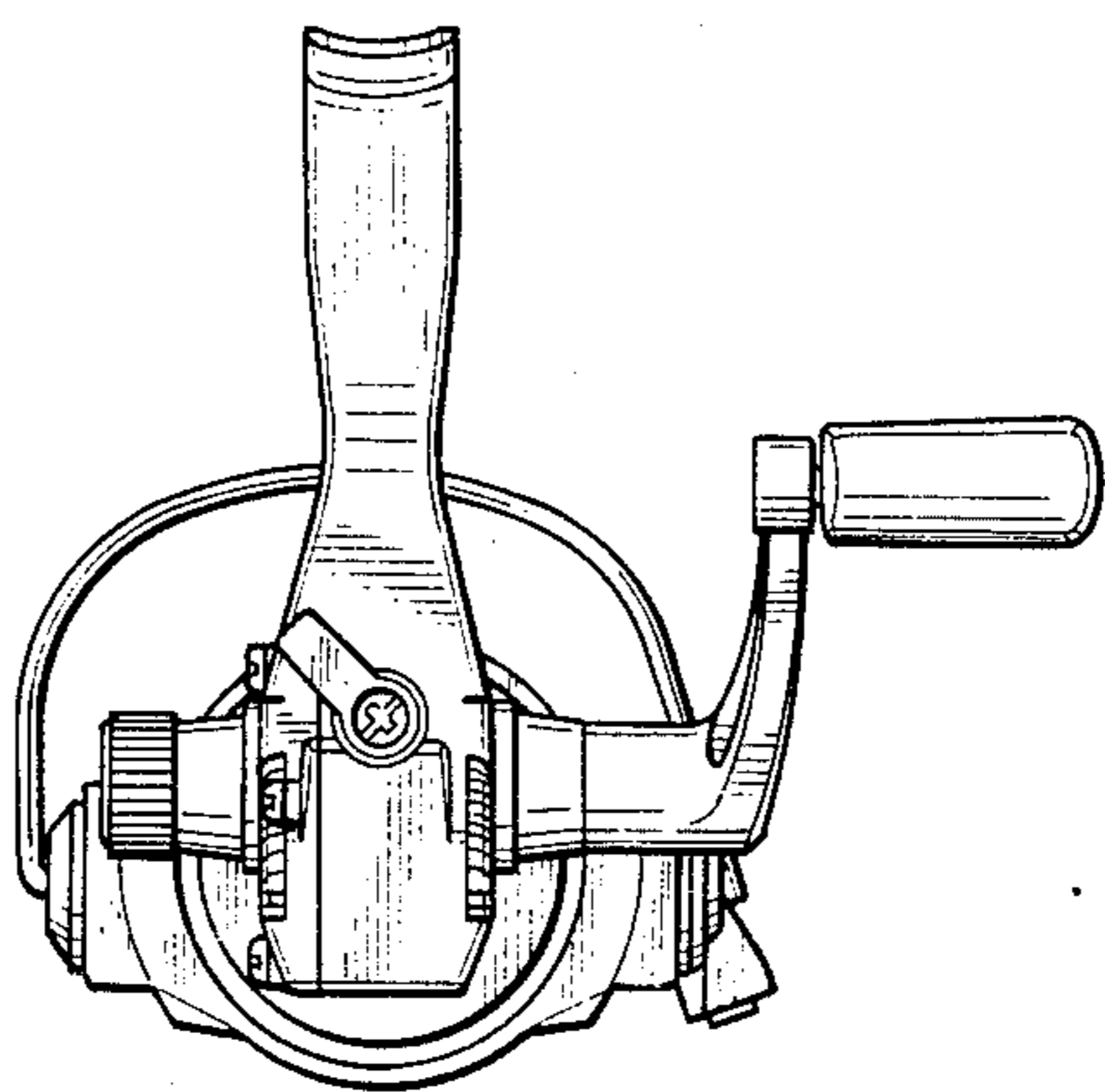


Fig. 6

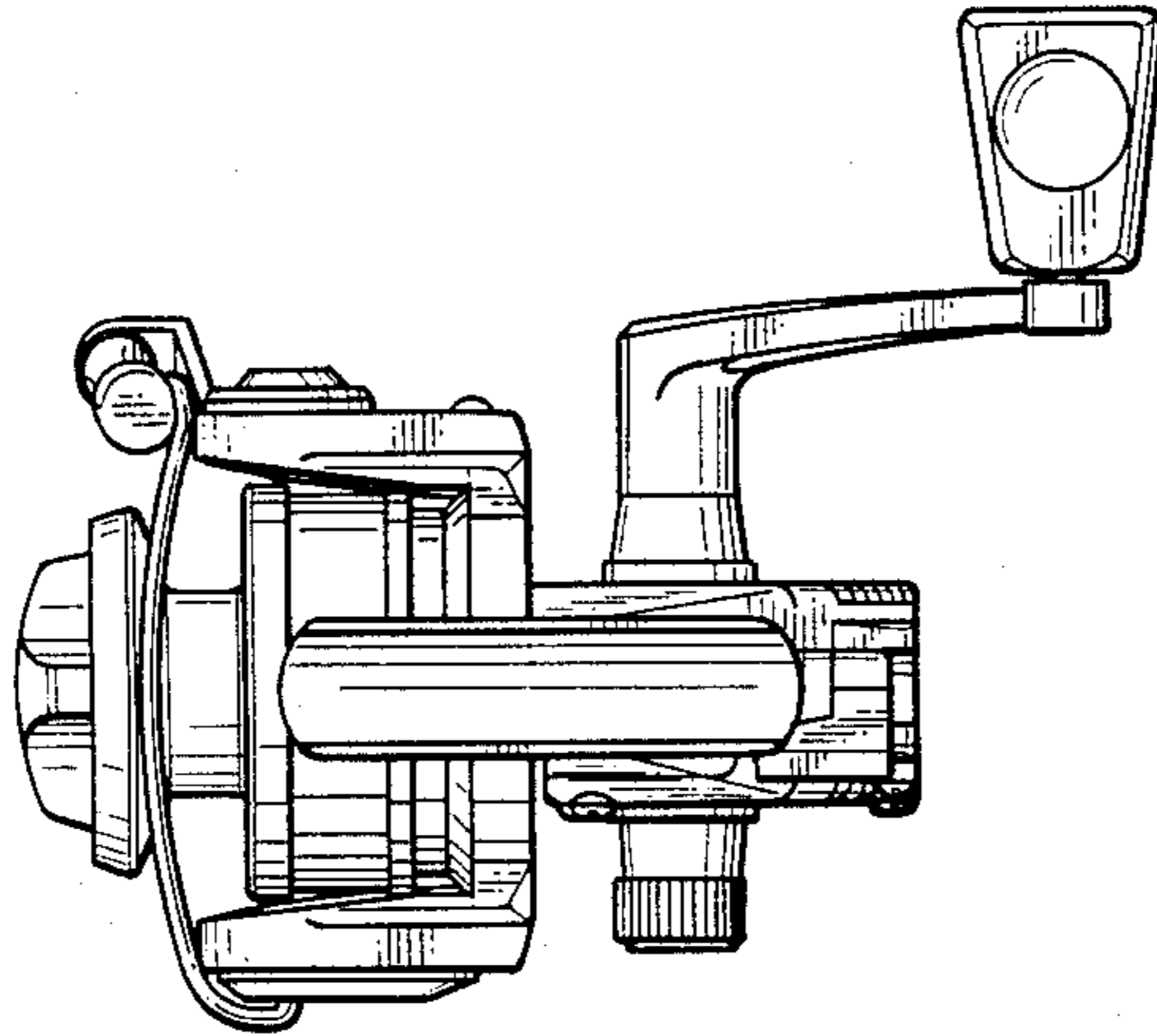


Fig. 7

