

United States Patent [19]

Hiraishi et al.

[11] Patent Number: **Des. 299,848**

[45] Date of Patent: **** Feb. 14, 1989**

[54] **FISHING REEL**

[75] Inventors: **Etsuo Hiraishi; Teruhisa Numata,**
both of Tokyo, Japan

[73] Assignee: **Ryobi Ltd., Hiroshima, Japan**

[**] Term: **14 Years**

[21] Appl. No.: **939,937**

[22] Filed: **Dec. 9, 1986**

[30] **Foreign Application Priority Data**

Aug. 27, 1986 [JP] Japan 61-33780
[52] U.S. Cl. **D22/140**
[58] Field of Search **D22/140; 242/84.1 R,**
242/84.2 R, 84.2 J

[56]

References Cited

U.S. PATENT DOCUMENTS

D. 290,635 6/1987 Nakamura D22/140
D. 291,473 8/1987 Nakamura D22/140

Primary Examiner—A. Hugo Word
Attorney, Agent, or Firm—Sughrue, Mion, Zinn,
Macpeak & Seas

[57]

CLAIM

The ornamental design for a fishing reel, as shown.

DESCRIPTION

FIG. 1 is a top, rear and right side perspective view of a fishing reel showing our new design;
FIG. 2 is a right side elevational view thereof;
FIG. 3 is a left side elevational view thereof;
FIG. 4 is a front elevational view thereof;
FIG. 5 is a rear elevational view thereof;
FIG. 6 is a top plan view thereof; and
FIG. 7 is a bottom plan view thereof.

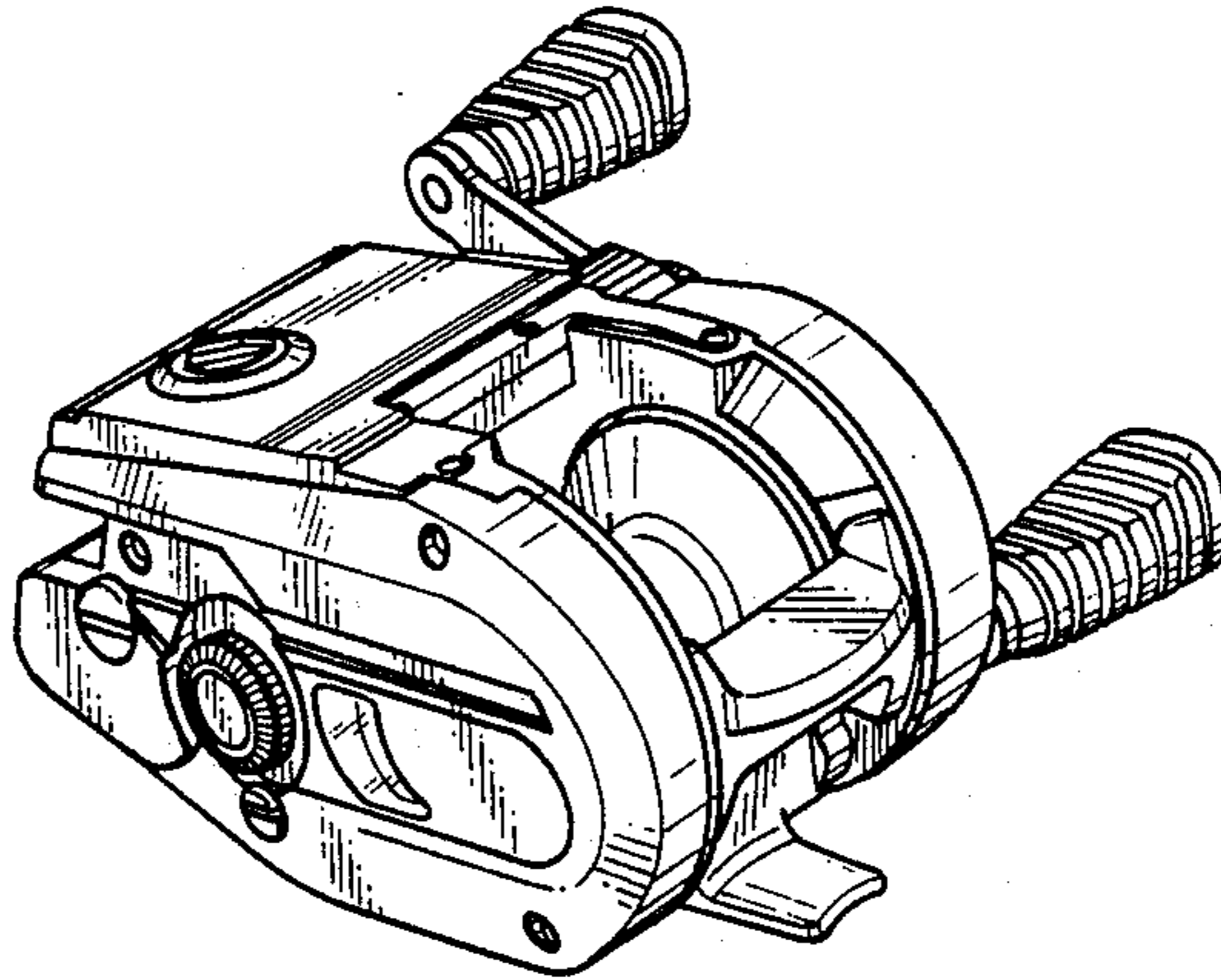


Fig. 1

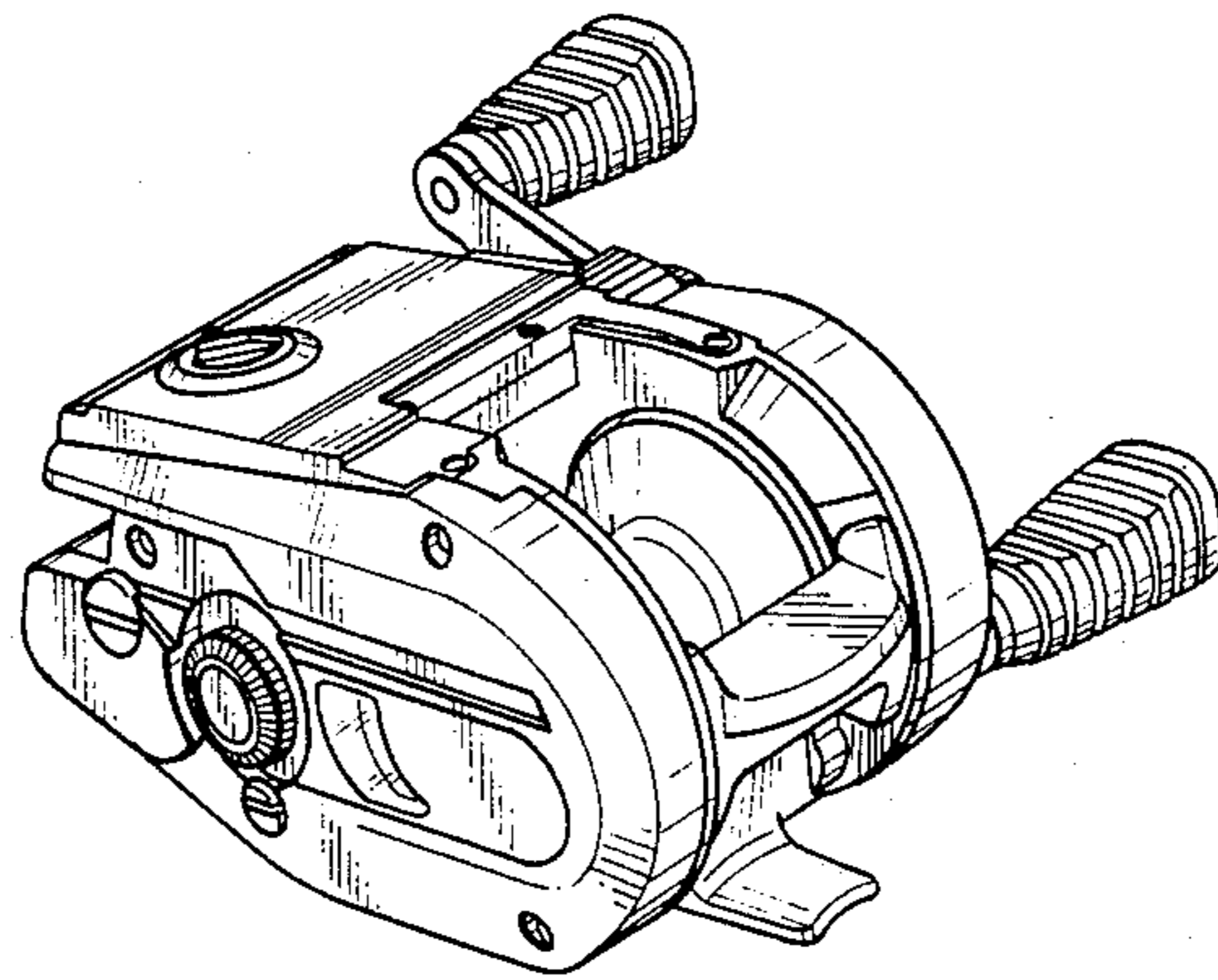


Fig. 2

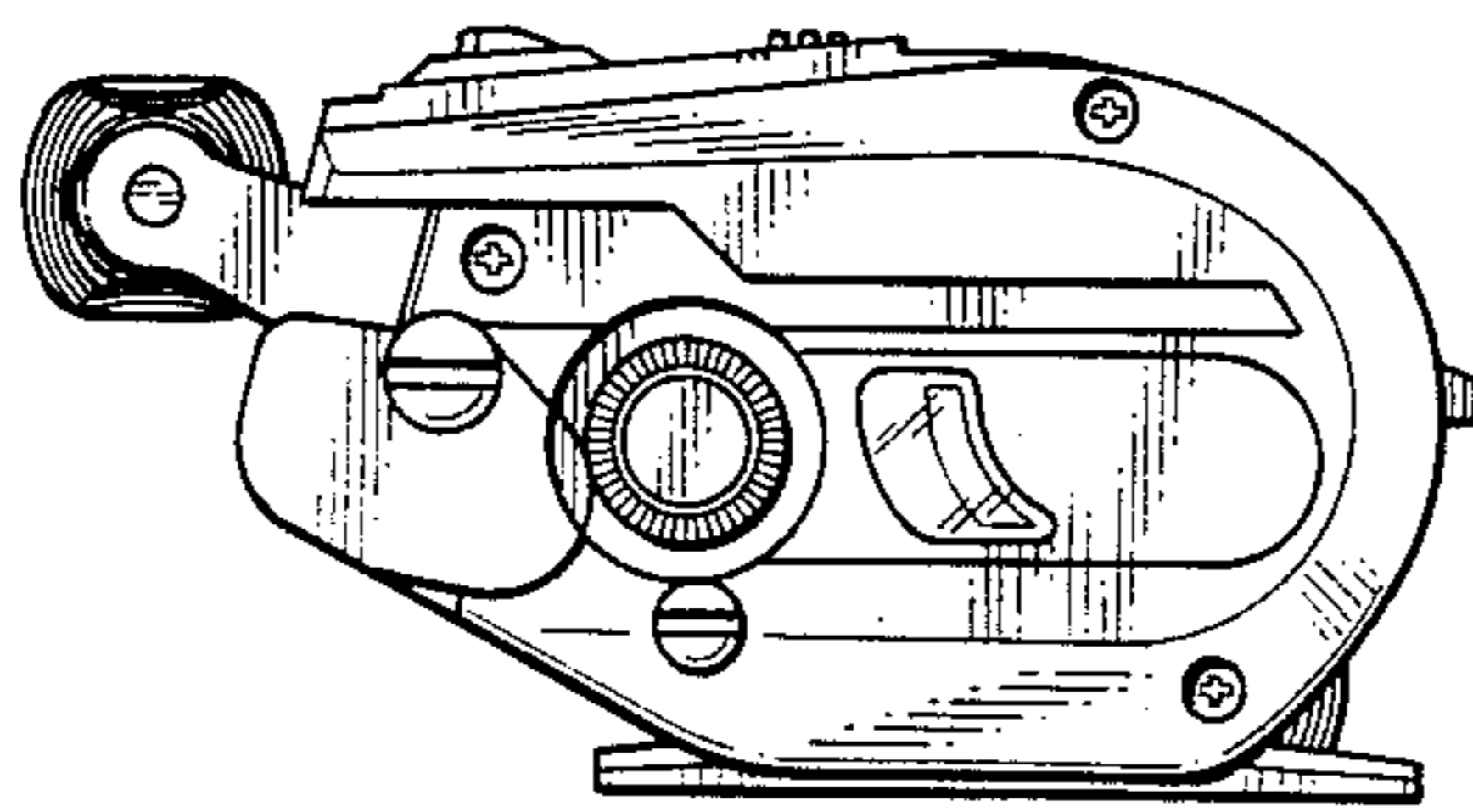


Fig. 3

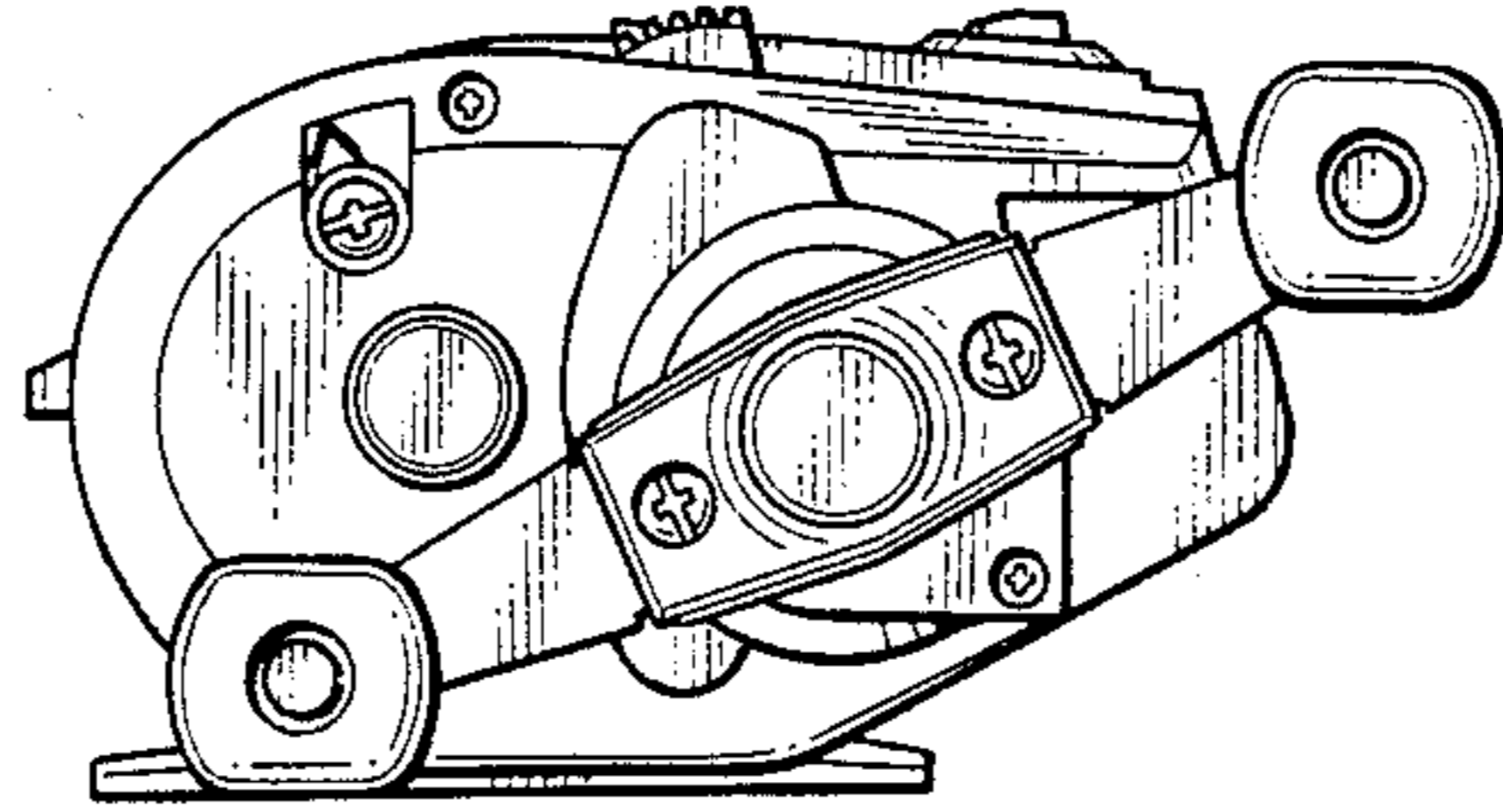


Fig. 4

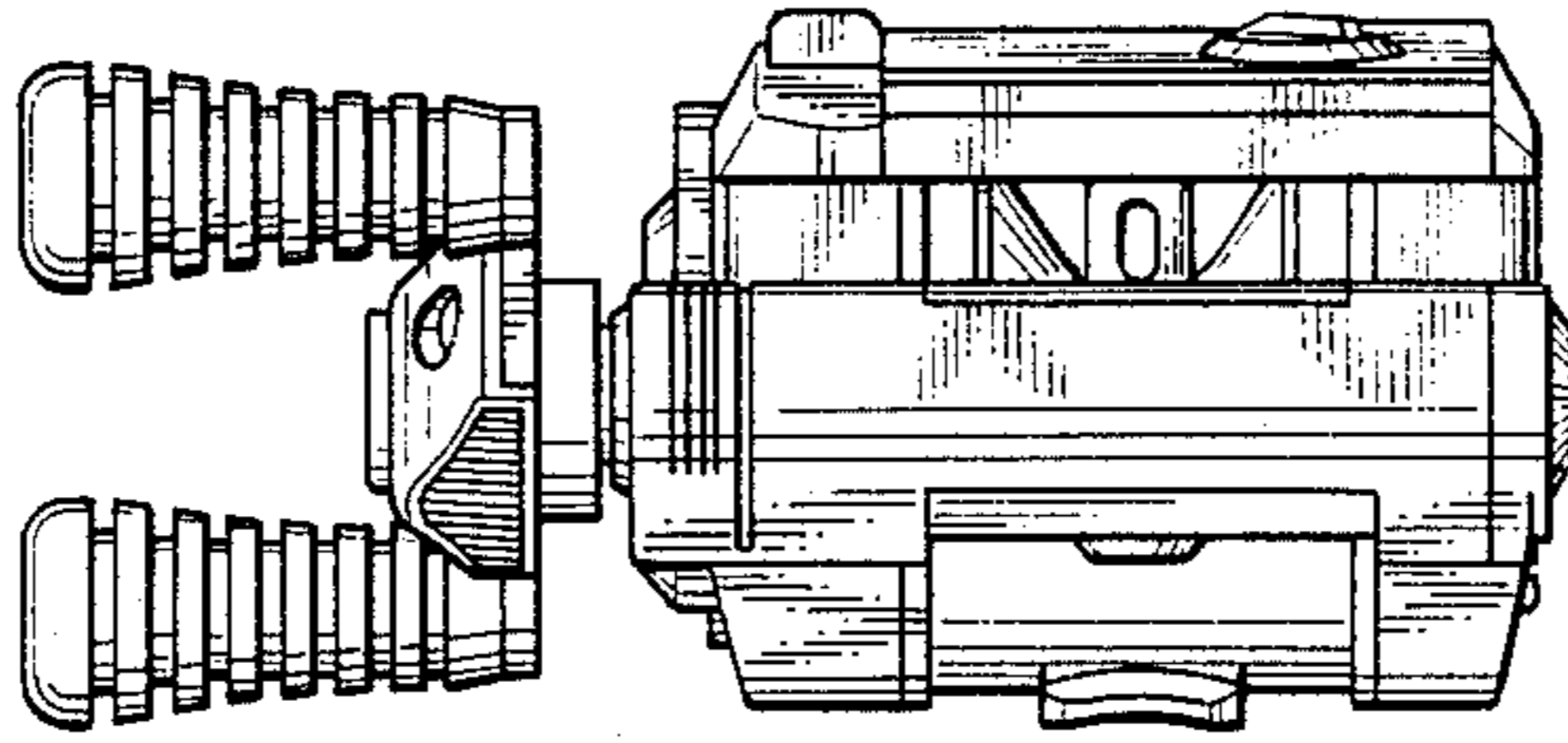


Fig. 5

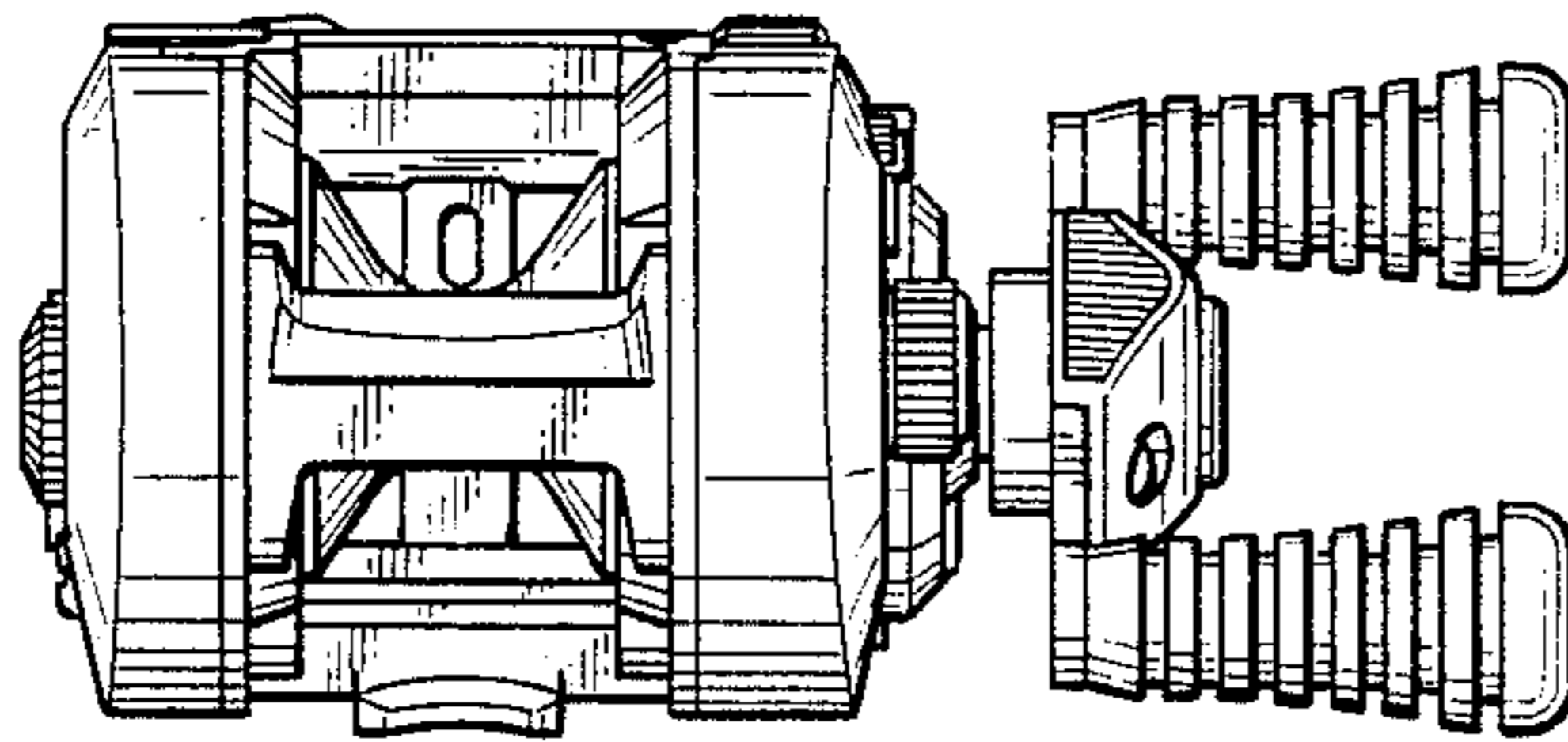


Fig. 6

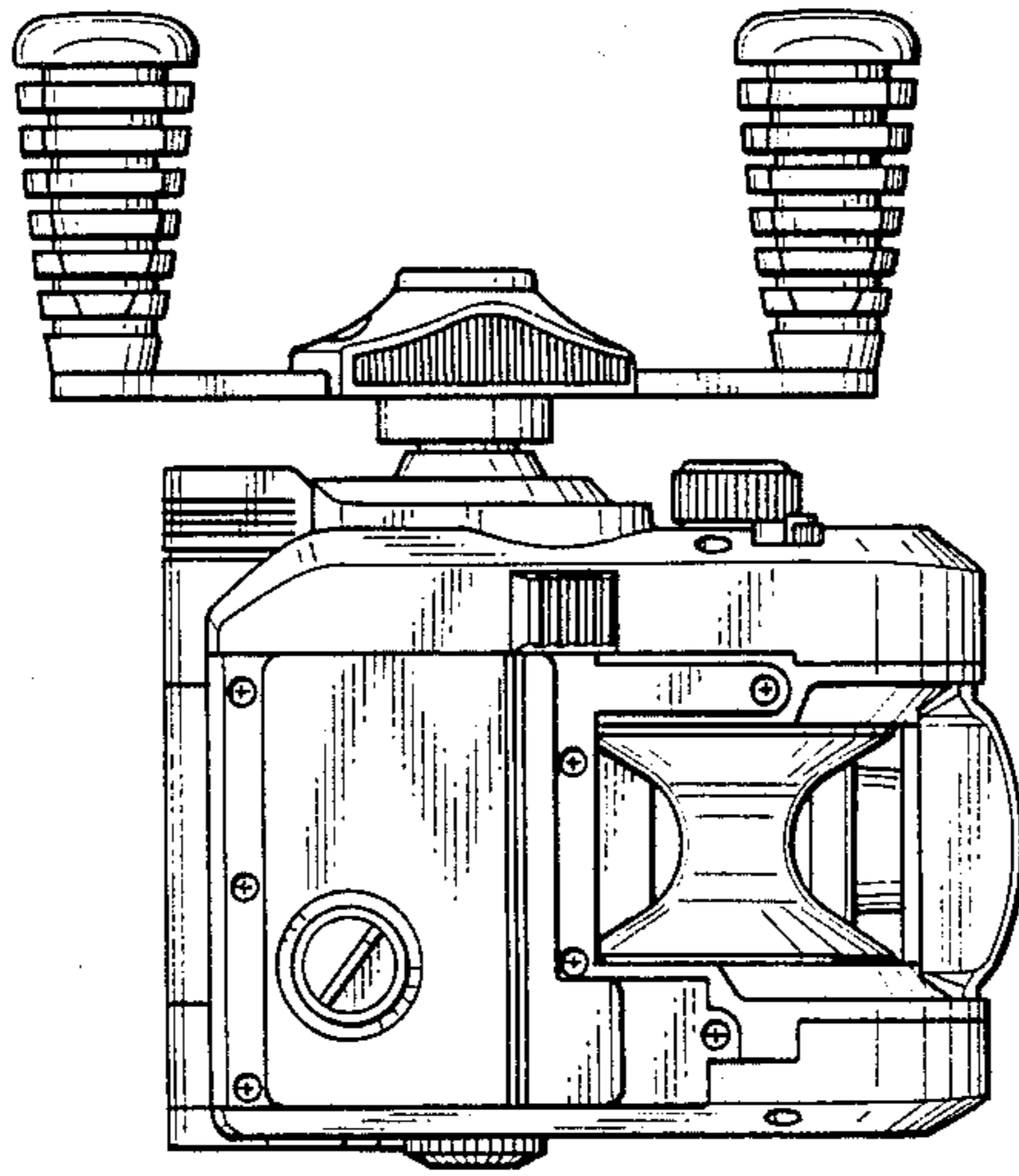


Fig. 7

