

[54] **UNILATERAL HAMSTRING EXERCISER**
[76] **Inventor: Jerry D. Brentham, P.O. Box 599, Belton, Tex. 76513**
[**] **Term: 14 Years**
[21] **Appl. No.: 926,789**
[22] **Filed: Nov. 4, 1986**
[52] **U.S. Cl. D21/195**
[58] **Field of Search D21/191-199; 272/130, 134, 137, 143, 144**

4,623,144 11/1986 Rockwell 272/134

OTHER PUBLICATIONS

Marcy catalog—"The Next Generation", 1982, p. 14, Bench #450-L, Leg Flexion/Extension.

Primary Examiner—Charles A. Rademaker

[57] **CLAIM**

The ornamental design for unilateral hamstring exerciser, as shown.

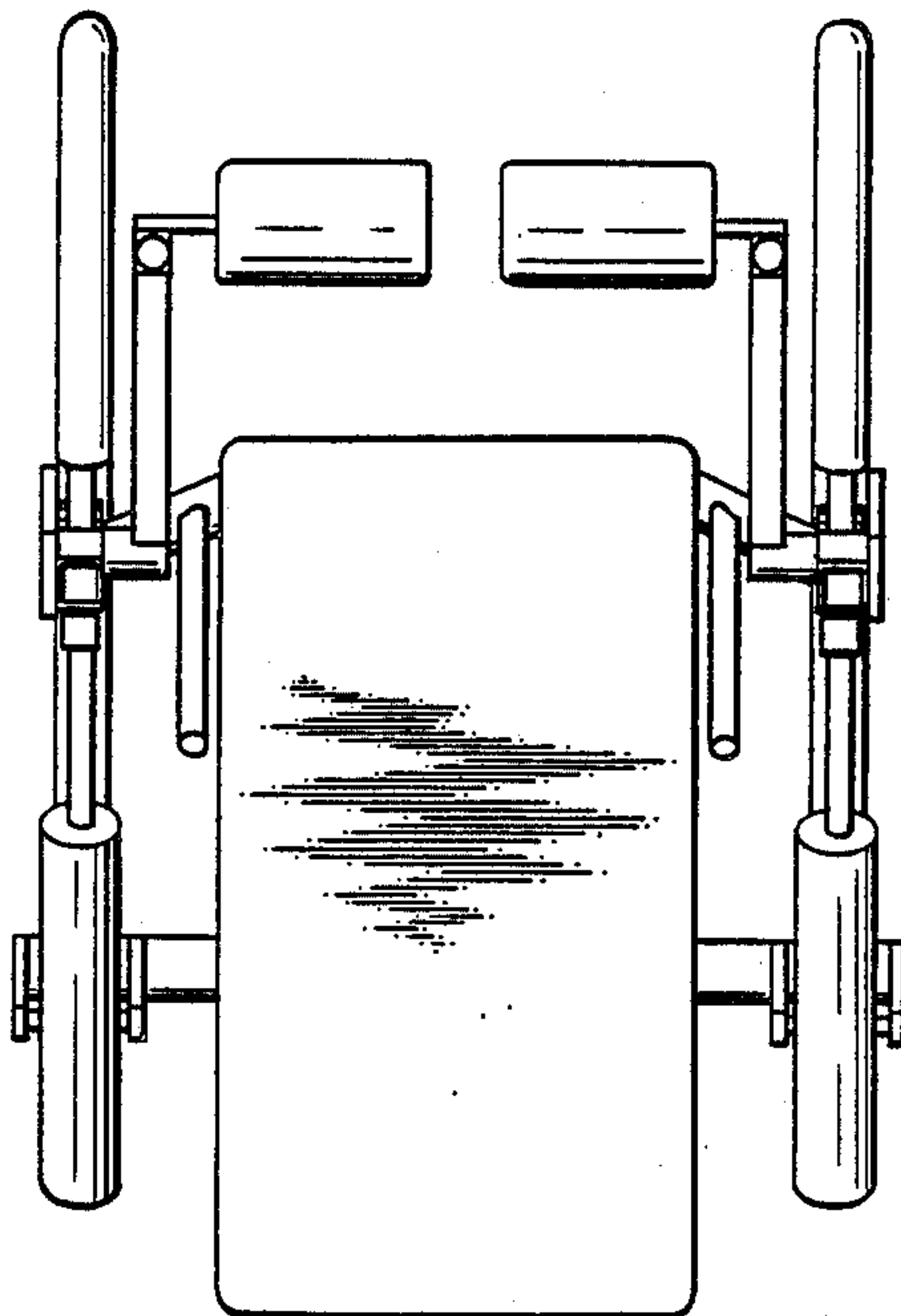
DESCRIPTION

FIG. 1 is a top plan view of a unilateral hamstring exerciser showing my new design;
FIG. 2 is a bottom plan view thereof;
FIG. 3 is a right side elevational view thereof;
FIG. 4 is a left side elevational view thereof;
FIG. 5 is a rear elevational view thereof; and
FIG. 6 is a front elevational view thereof.

[56] **References Cited**

U.S. PATENT DOCUMENTS

D. 226,934	5/1973	Coker et al.	D21/195
2,825,563	3/1958	Lawton	272/130
4,254,949	3/1981	Brentham .	
4,448,412	5/1984	Brentham	272/130



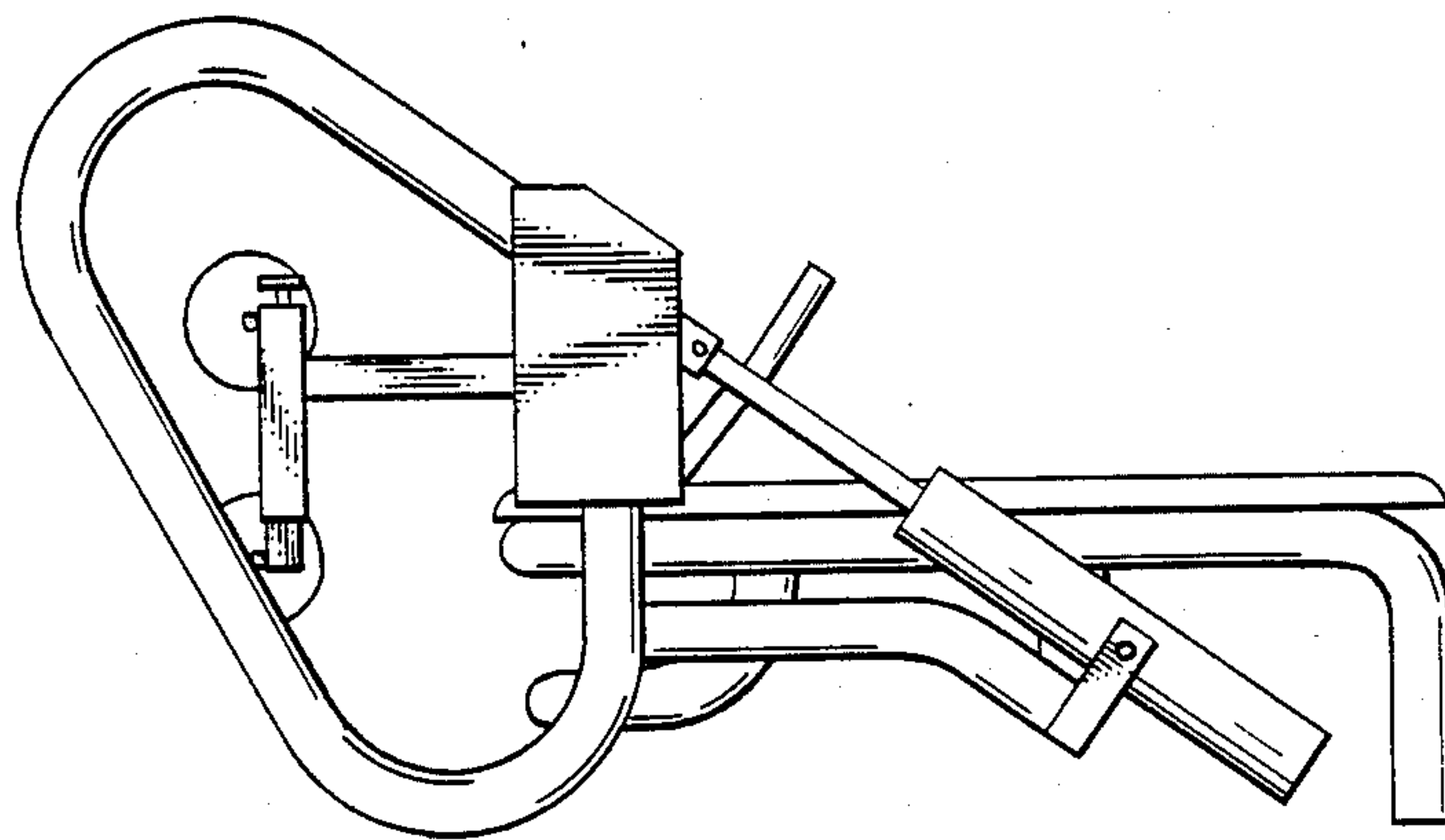


FIG. 3

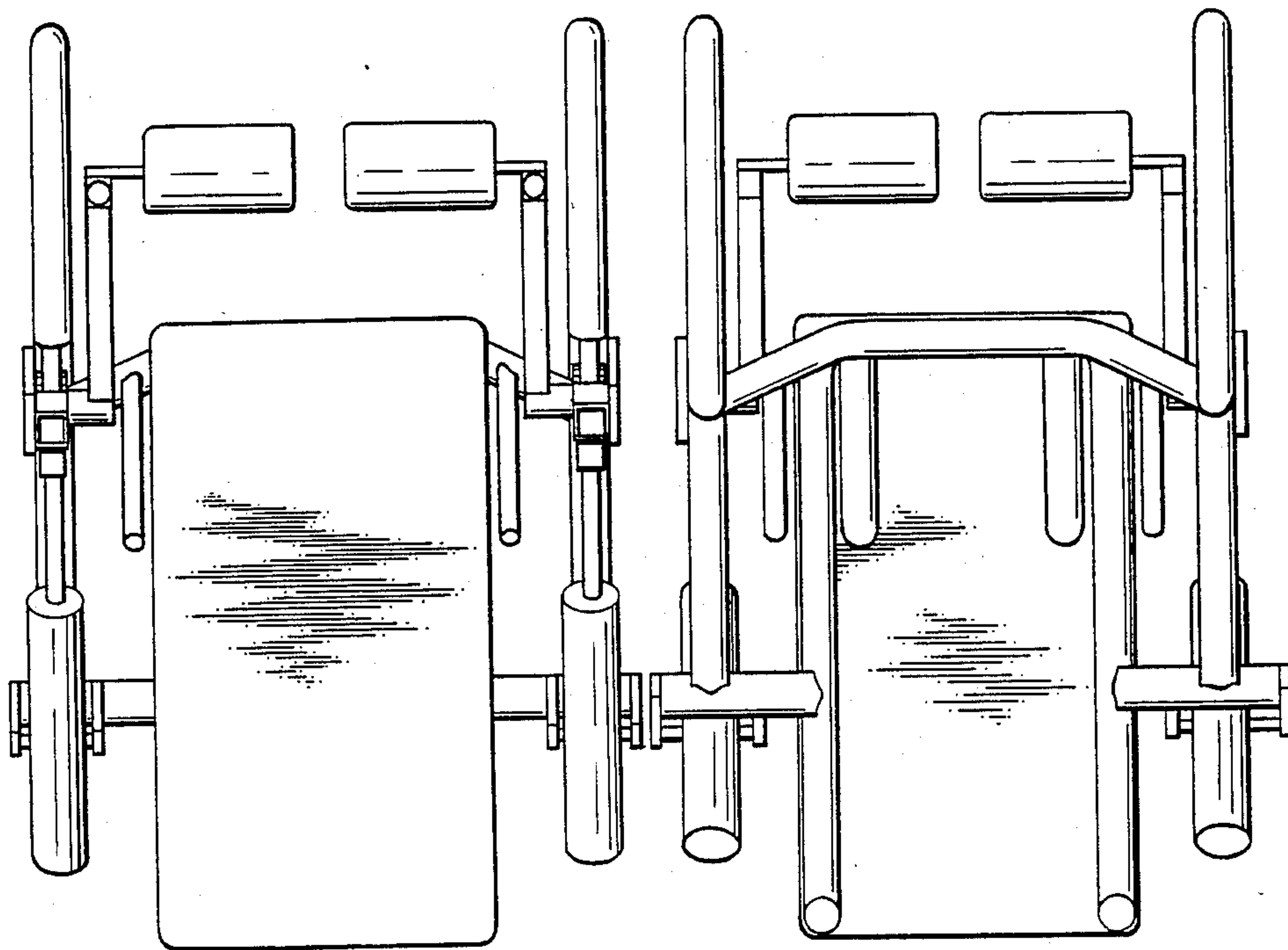


FIG. 1

FIG. 2

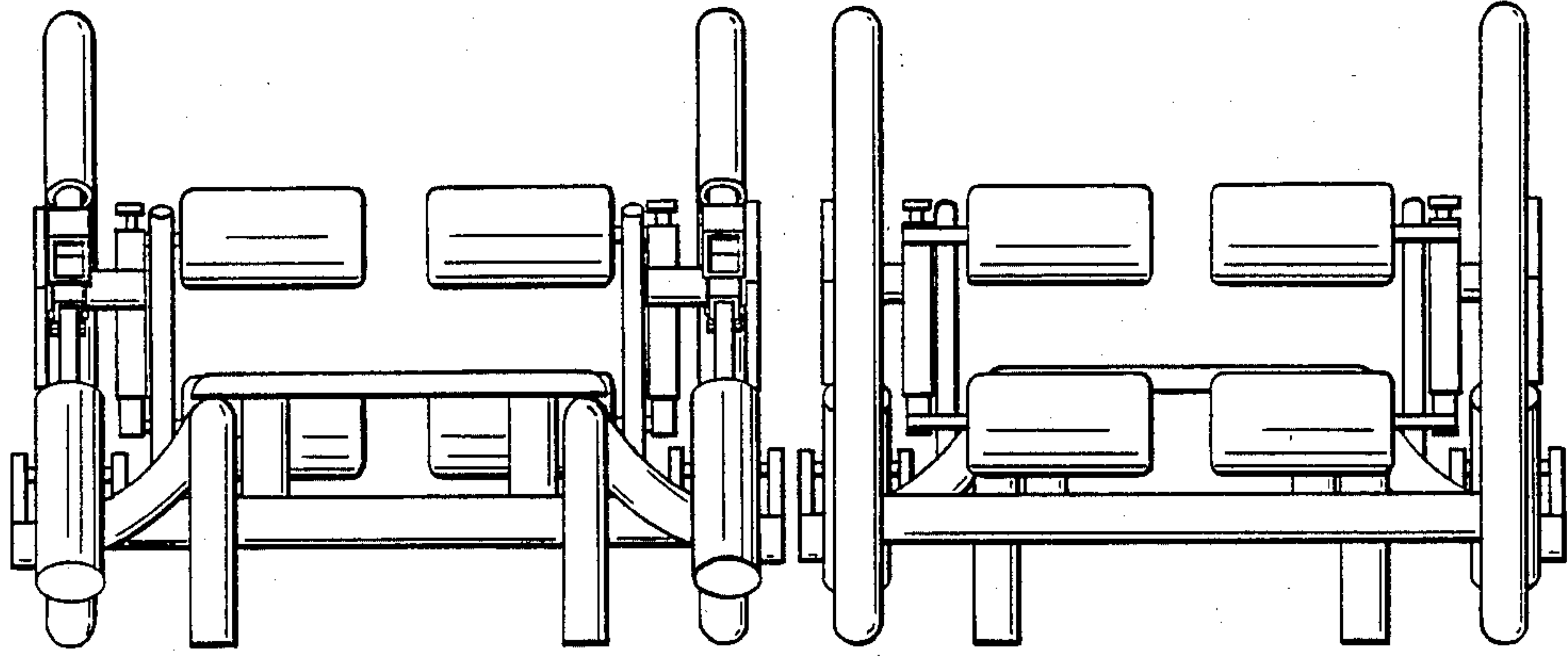


FIG. 5

FIG. 6

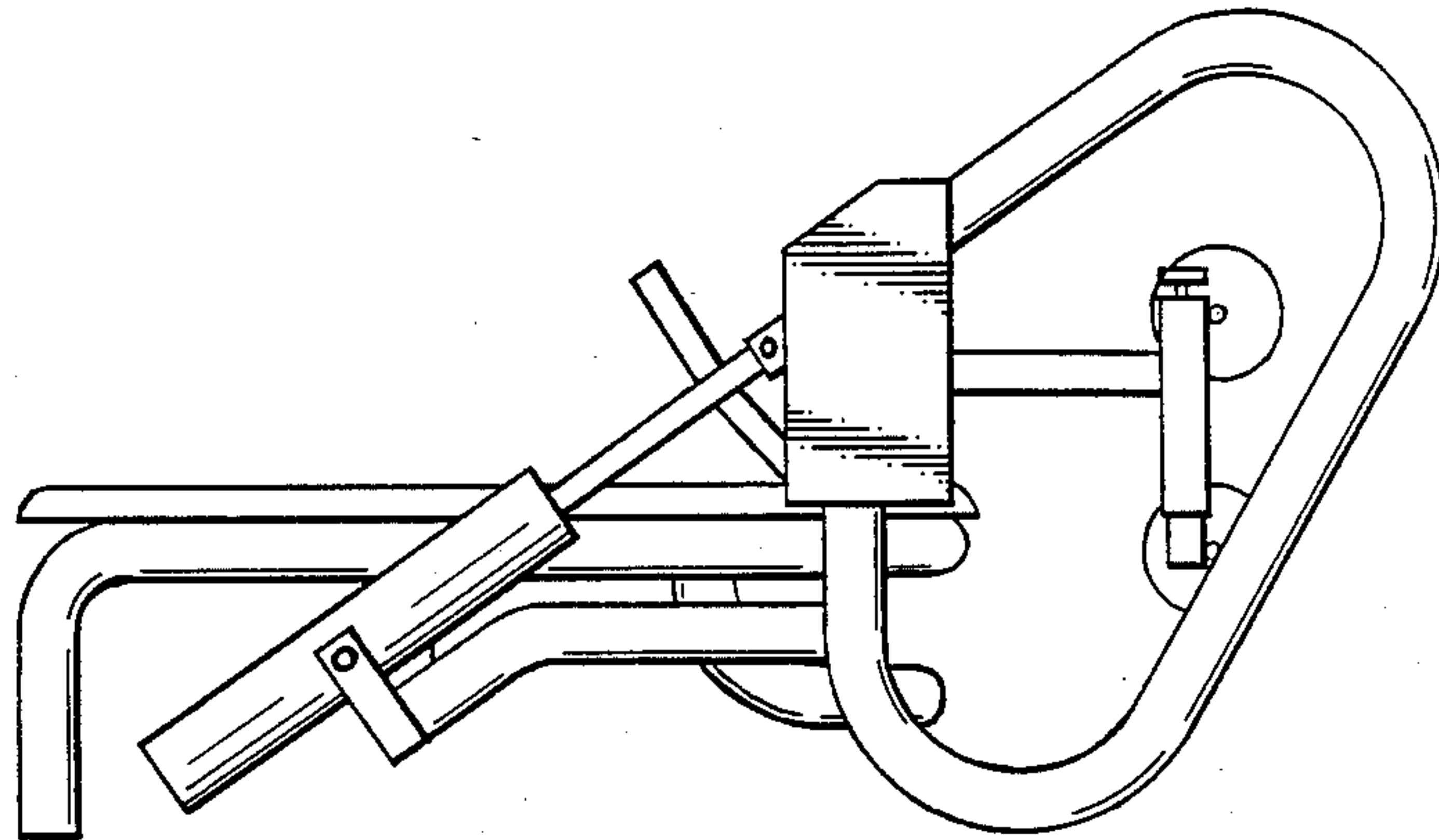


FIG. 4