

[54] JUMP-SQUAT EXERCISER

[76] Inventor: Jerry D. Brentham, P.O. Box 599, Belton, Tex. 76513

[**] Term: 14 Years

[21] Appl. No.: 926,788

[22] Filed: Nov. 4, 1986

[52] U.S. Cl. D21/195

[58] Field of Search D21/191-199; 272/93, 67, 117, 112, 125, 127, 130, 131, 134, 135, 126, 139, 142, 143, 144

[56] References Cited

U.S. PATENT DOCUMENTS

D. 226,439 3/1973 Coker 272/130

D. 230,613 3/1974 Coker 272/130
2,405,024 7/1946 Eynon D21/191
3,006,643 10/1961 Ryan D21/197
3,822,599 7/1974 Brentham .

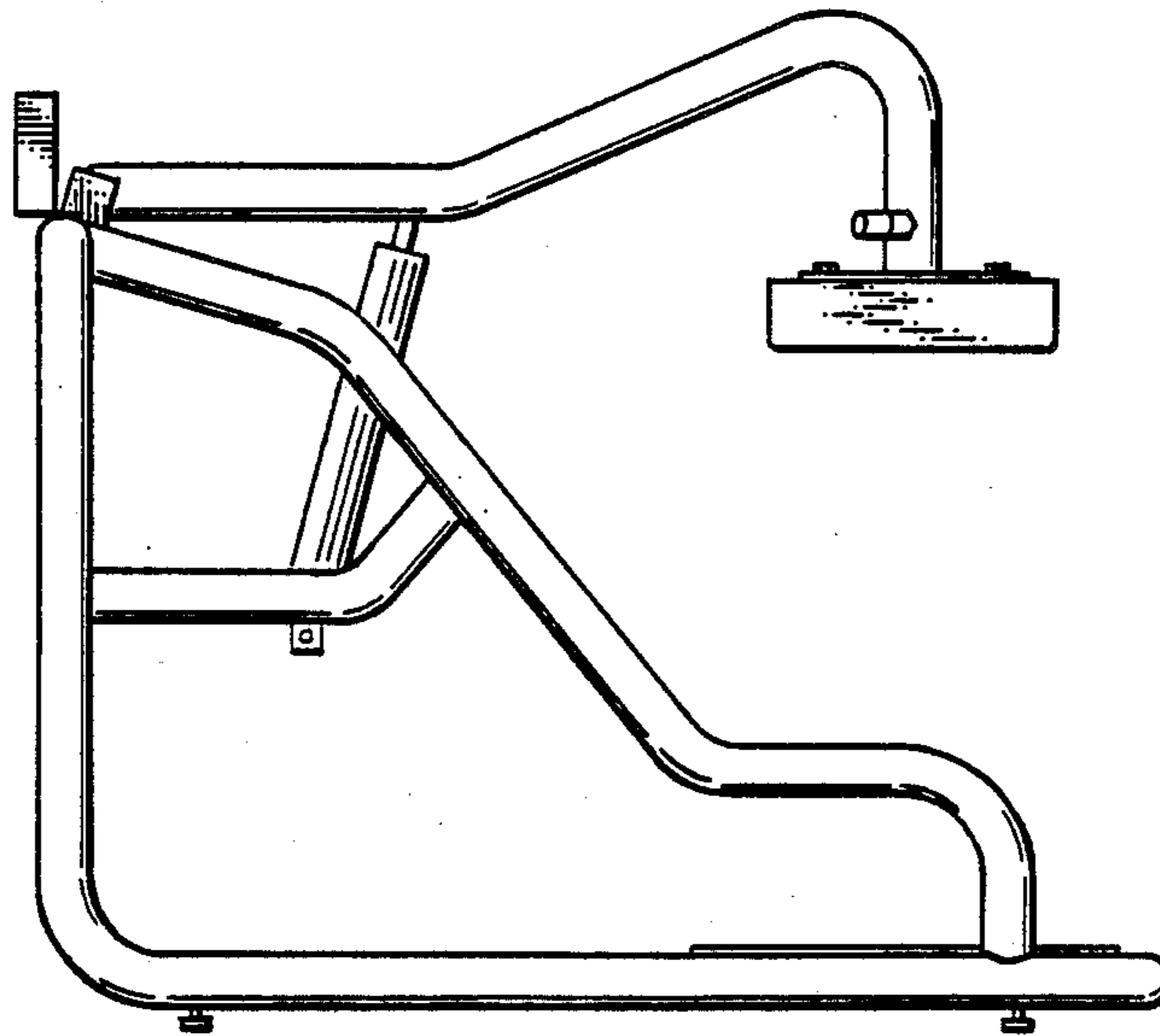
Primary Examiner—Charles A. Rademaker

[57] CLAIM

The ornamental design for a jump-squat exerciser, as shown.

DESCRIPTION

FIG. 1 is a top plan view of a jump-squat exerciser showing my new design;
FIG. 2 is a bottom plan view thereof;
FIG. 3 is a left side elevational view thereof;
FIG. 4 is a right side elevational view thereof;
FIG. 5 is a front elevational view thereof; and
FIG. 6 is a rear elevational view thereof.



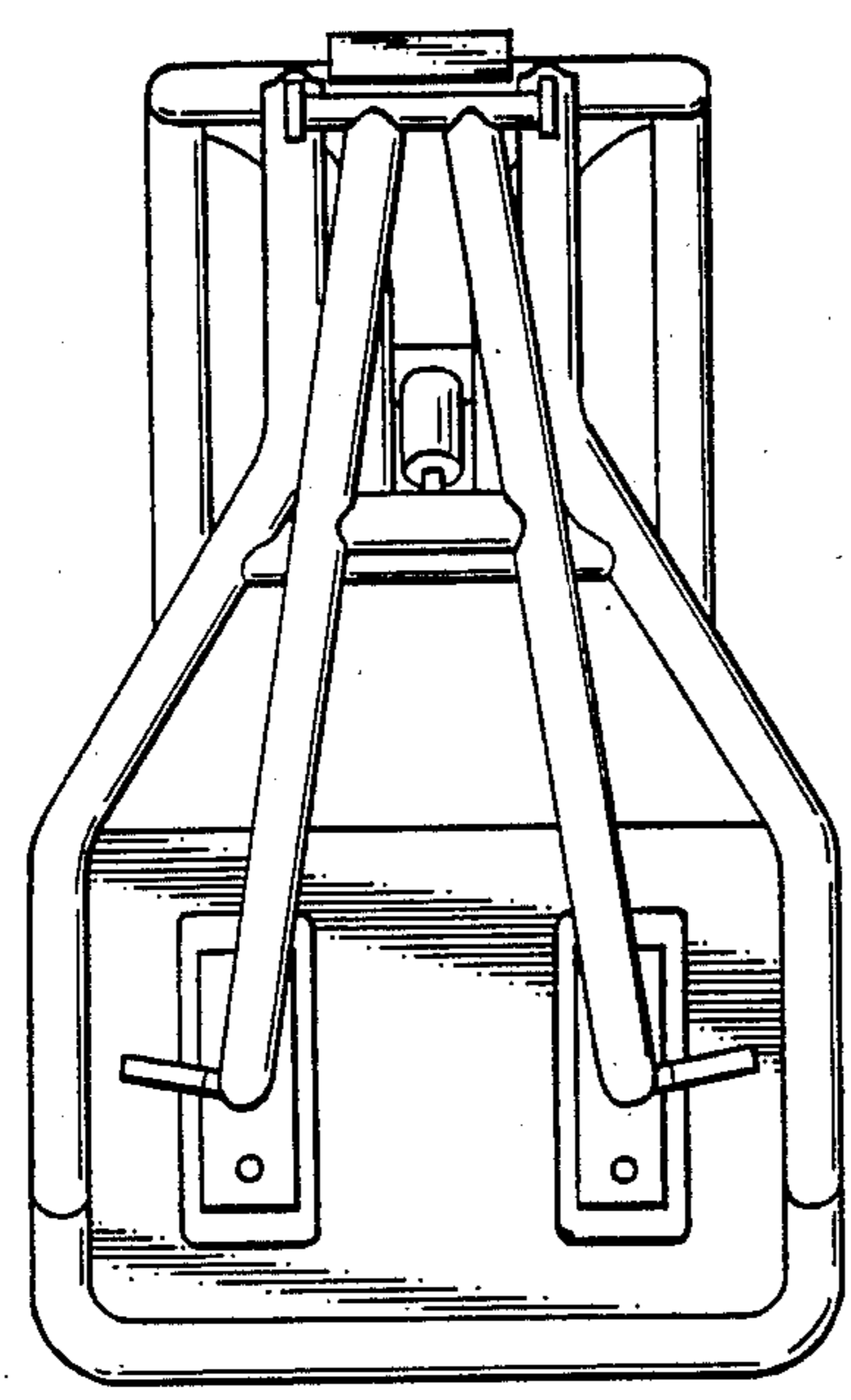


FIG. 1

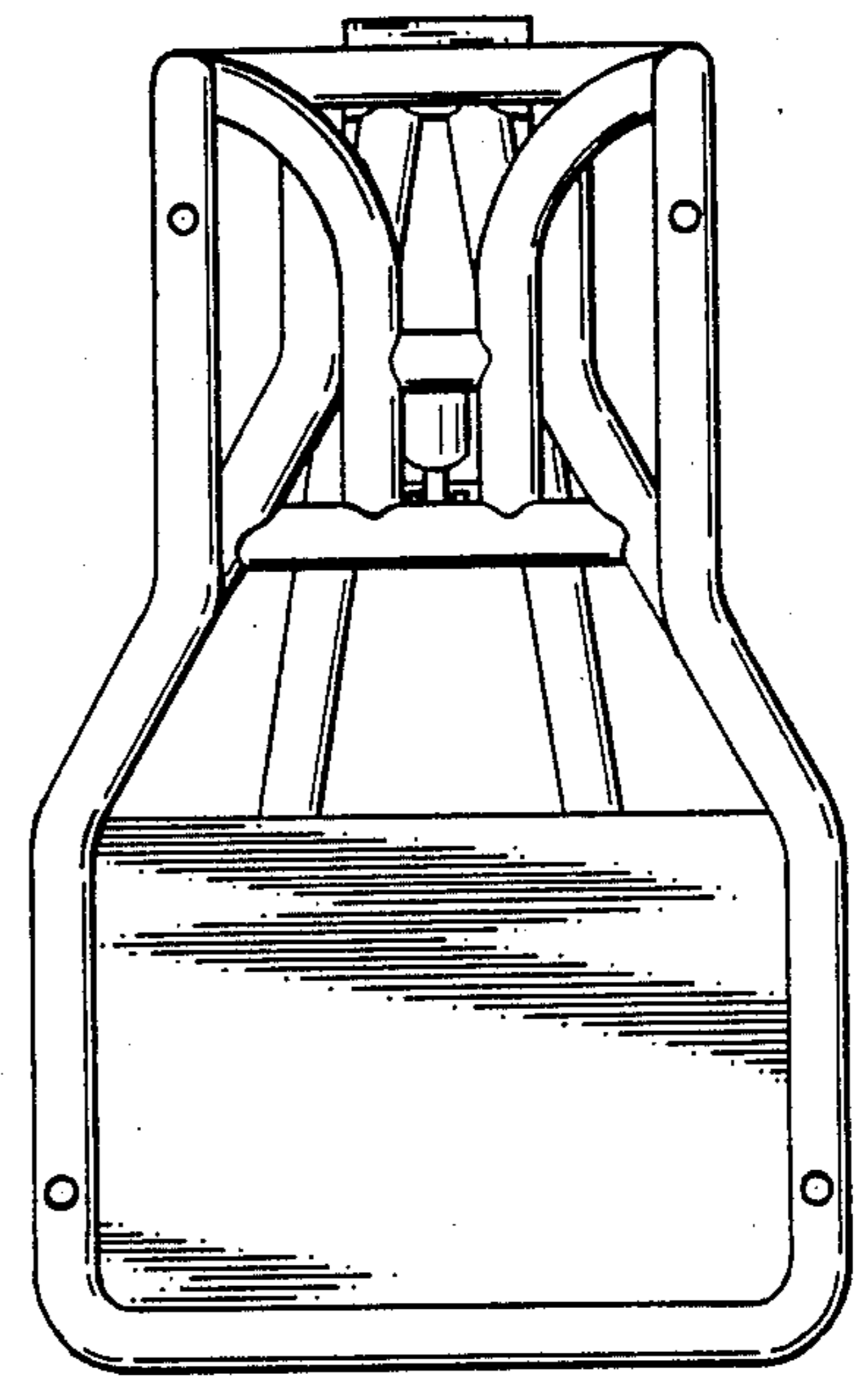


FIG. 2

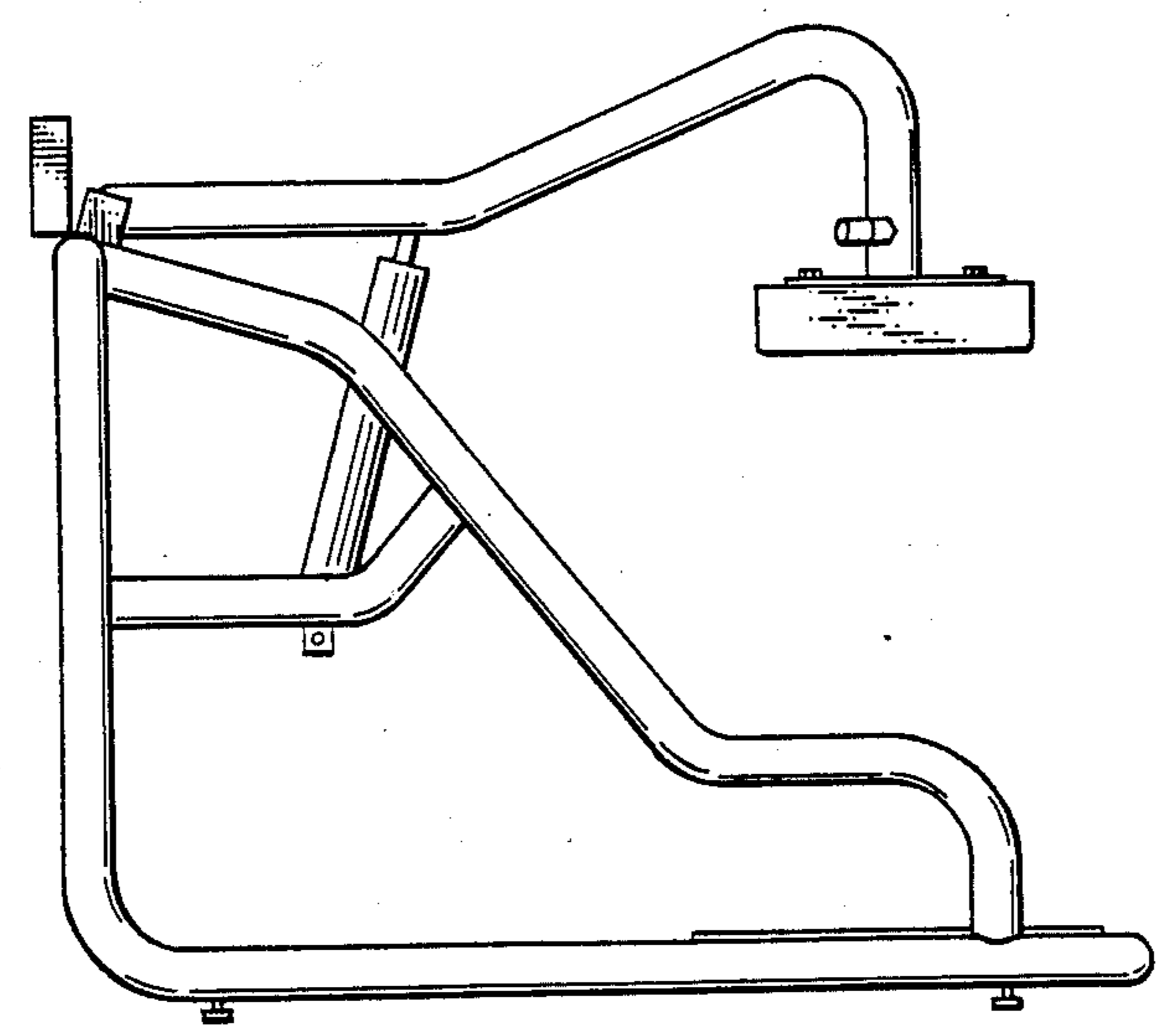


FIG. 3

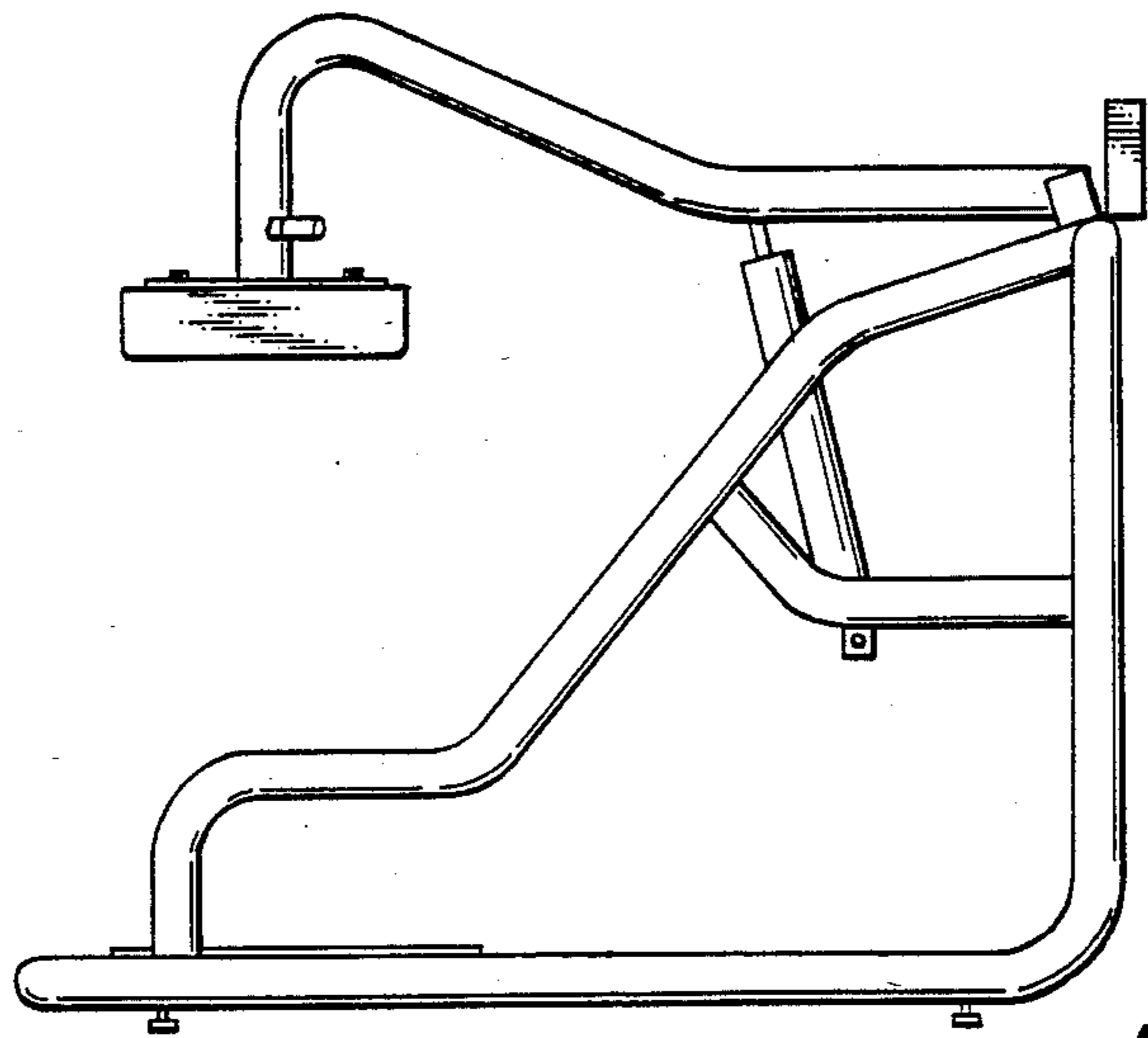


FIG. 4

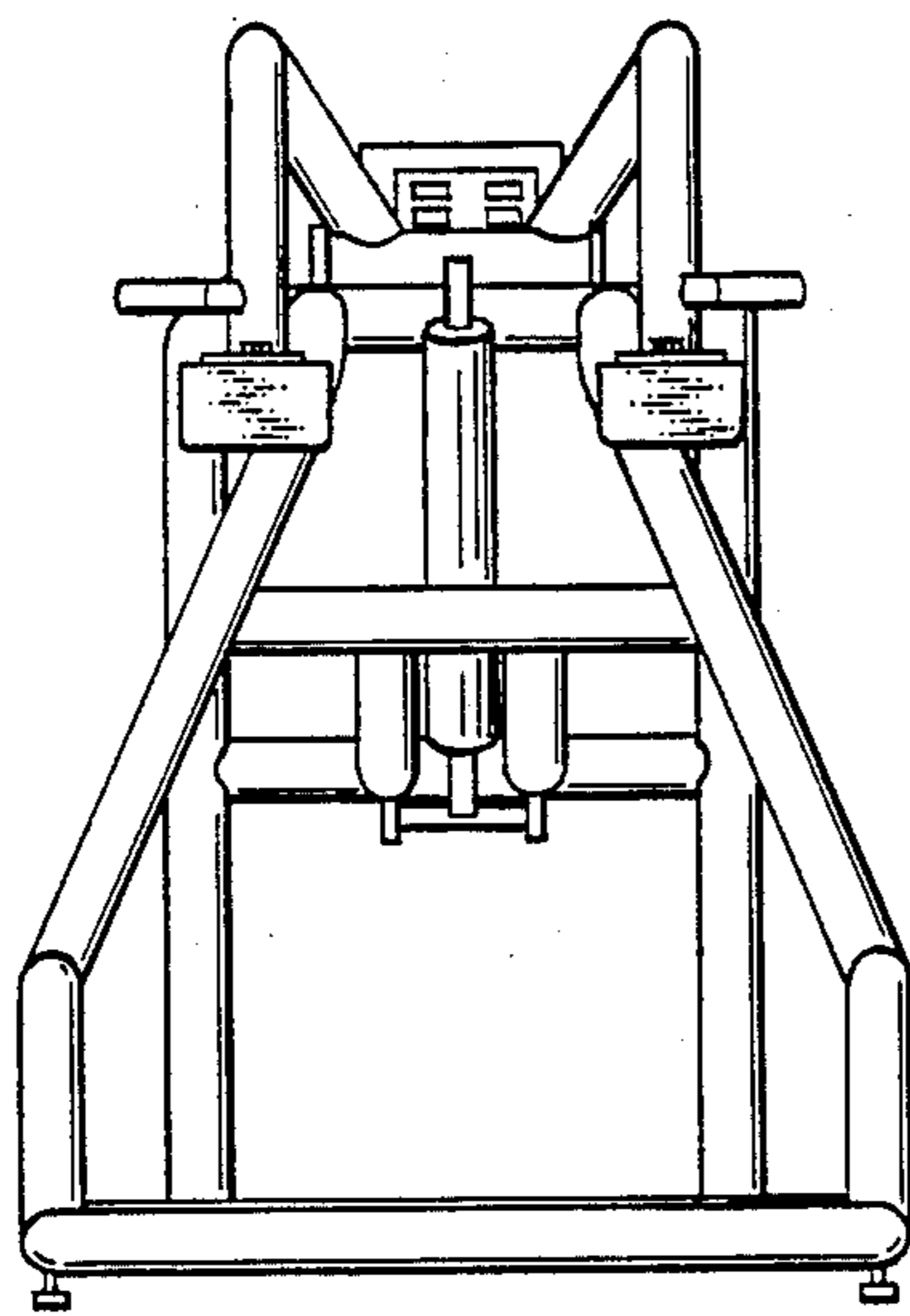


FIG. 5

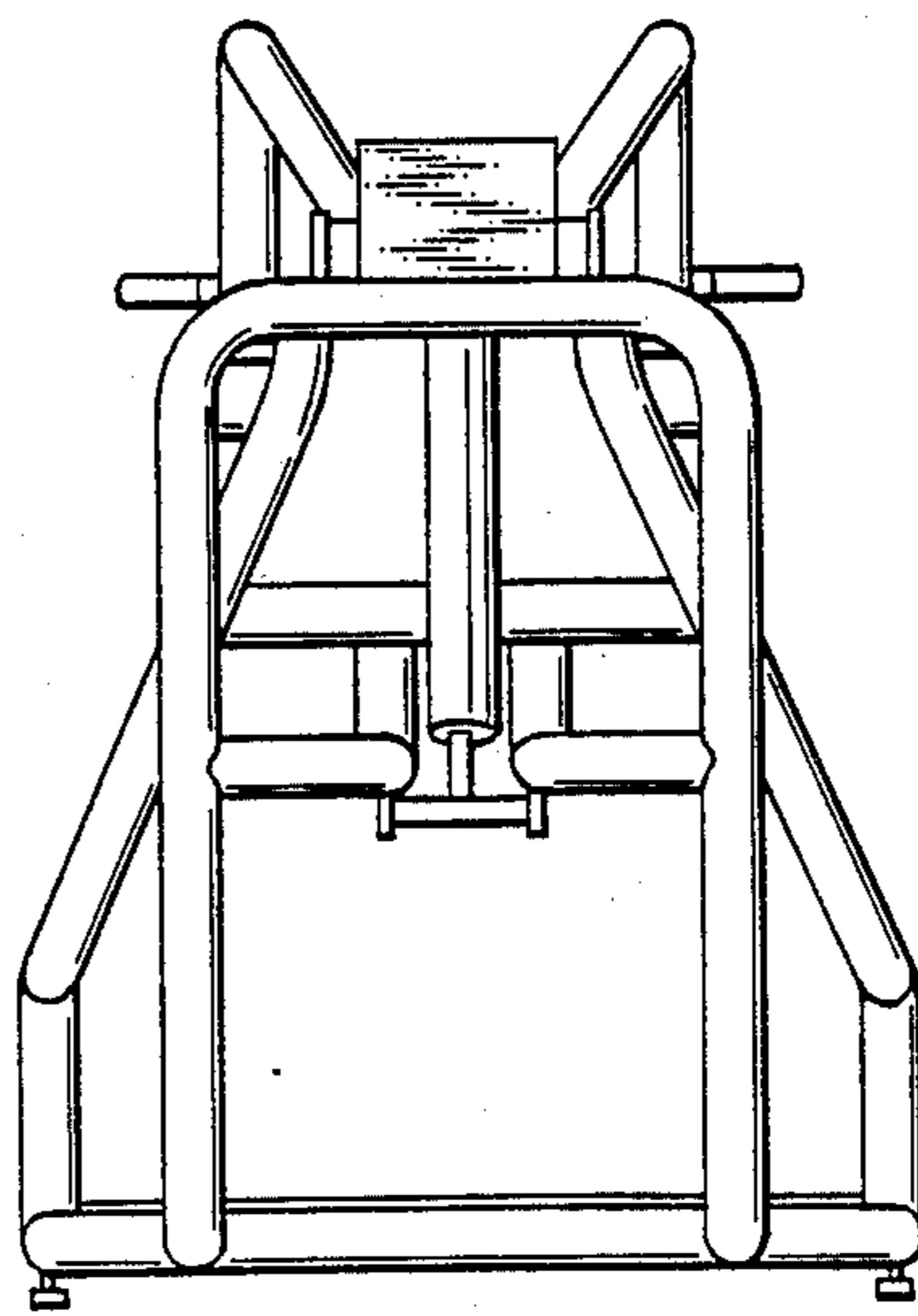


FIG. 6