

# United States Patent [19]

Brentham

[11] Patent Number: **Des. 299,842**

[45] Date of Patent: **\*\* Feb. 14, 1989**

[54] **FOREARM CONDITIONER**

[76] Inventor: **Jerry D. Brentham**, P.O. Box 599,  
Belton, Tex. 76513

[\*\*] Term: **14 Years**

[21] Appl. No.: **926,786**

[22] Filed: **Nov. 4, 1986**

[52] U.S. Cl. .... **D21/195**

[58] Field of Search ..... **D21/191-199;**  
**272/67, 68, 116, 118, 125, 124, 133-135, 141,**  
**143, 144**

[56] **References Cited**

**U.S. PATENT DOCUMENTS**

D. 259,799 7/1981 Brentham ..... D21/195

D. 264,236 5/1982 Vyhlidal ..... D21/195  
4,258,913 3/1981 Brentham .  
4,570,925 2/1986 Kock et al ..... 272/68

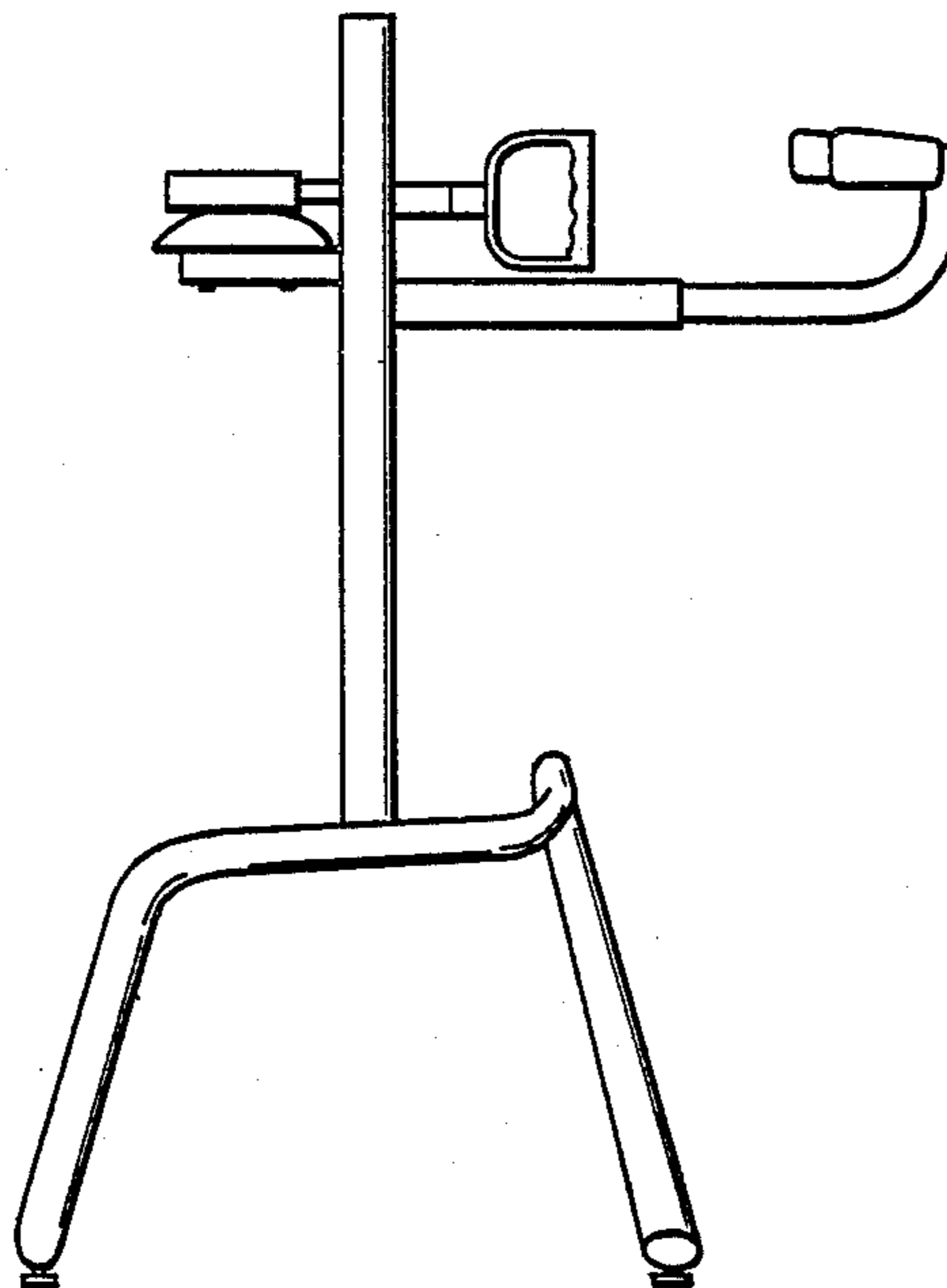
*Primary Examiner*—Charles A. Rademaker

[57] **CLAIM**

The ornamental design for forearm conditioner, as shown.

**DESCRIPTION**

FIG. 1 is a front elevational view of a forearm conditioner showing my new design;  
FIG. 2 is a rear elevational view thereof;  
FIG. 3 is a bottom plan view thereof;  
FIG. 4 is a top plan view thereof;  
FIG. 5 is a right side elevational view thereof; and  
FIG. 6 is a left side elevational view thereof.



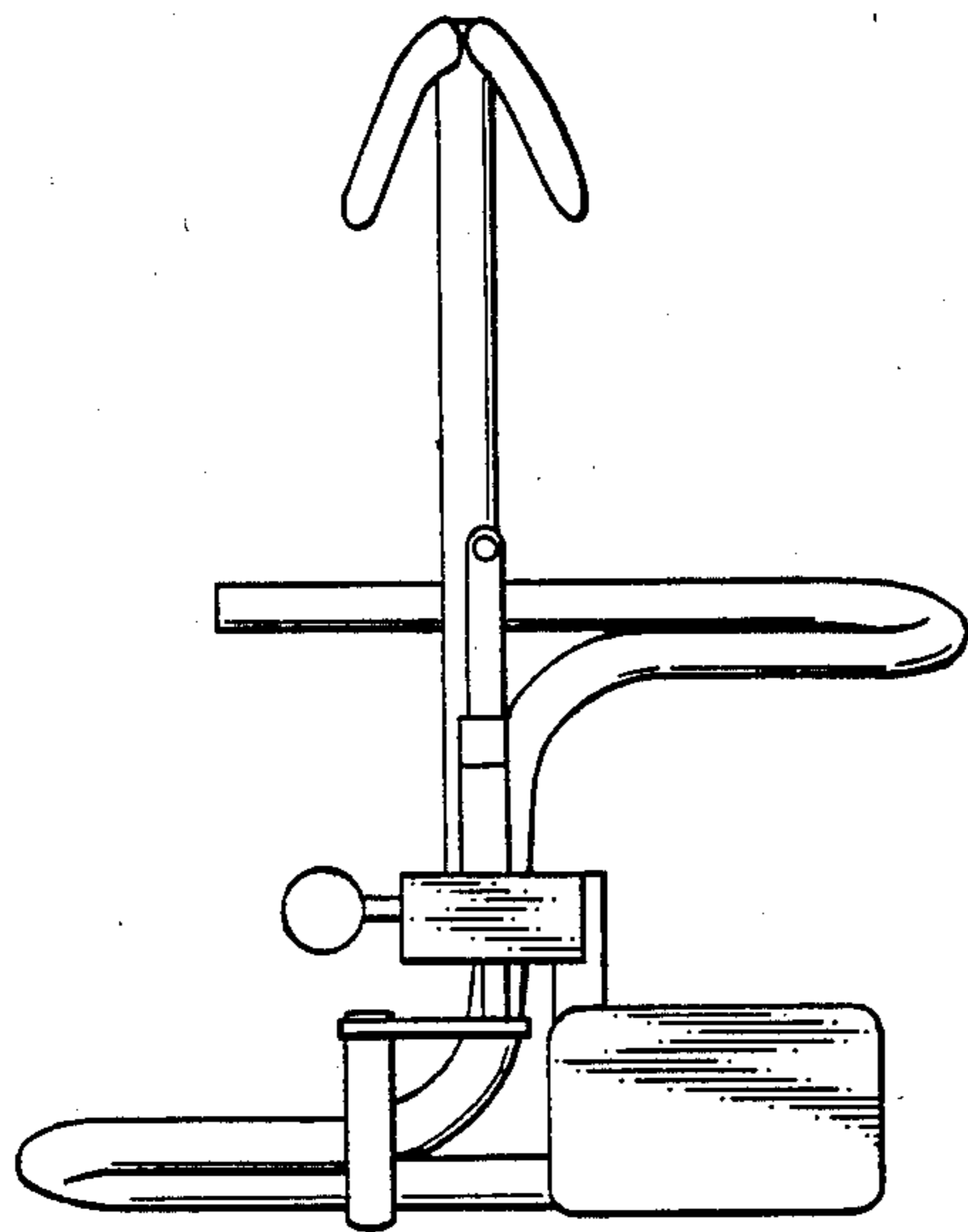


FIG. 4

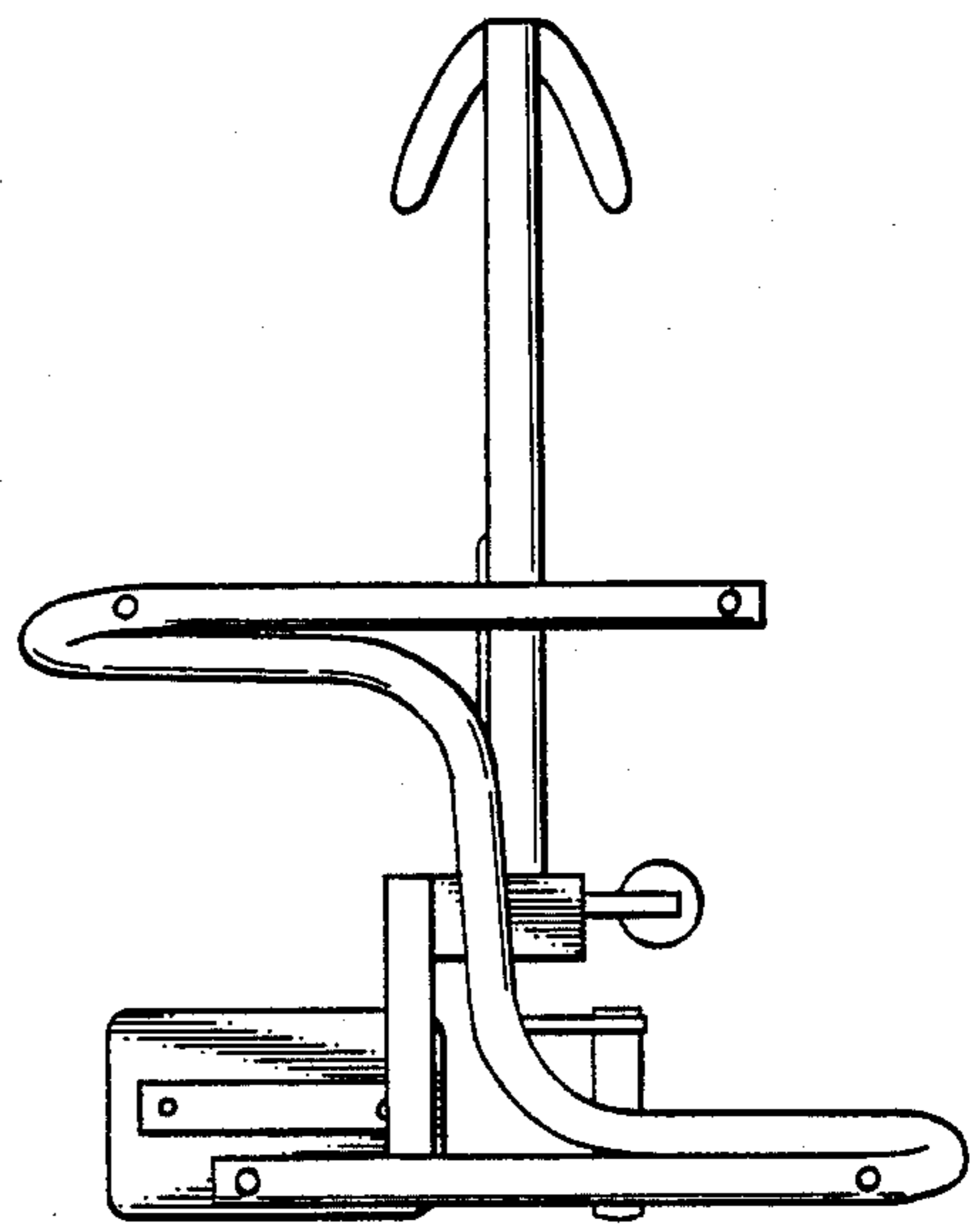


FIG. 3

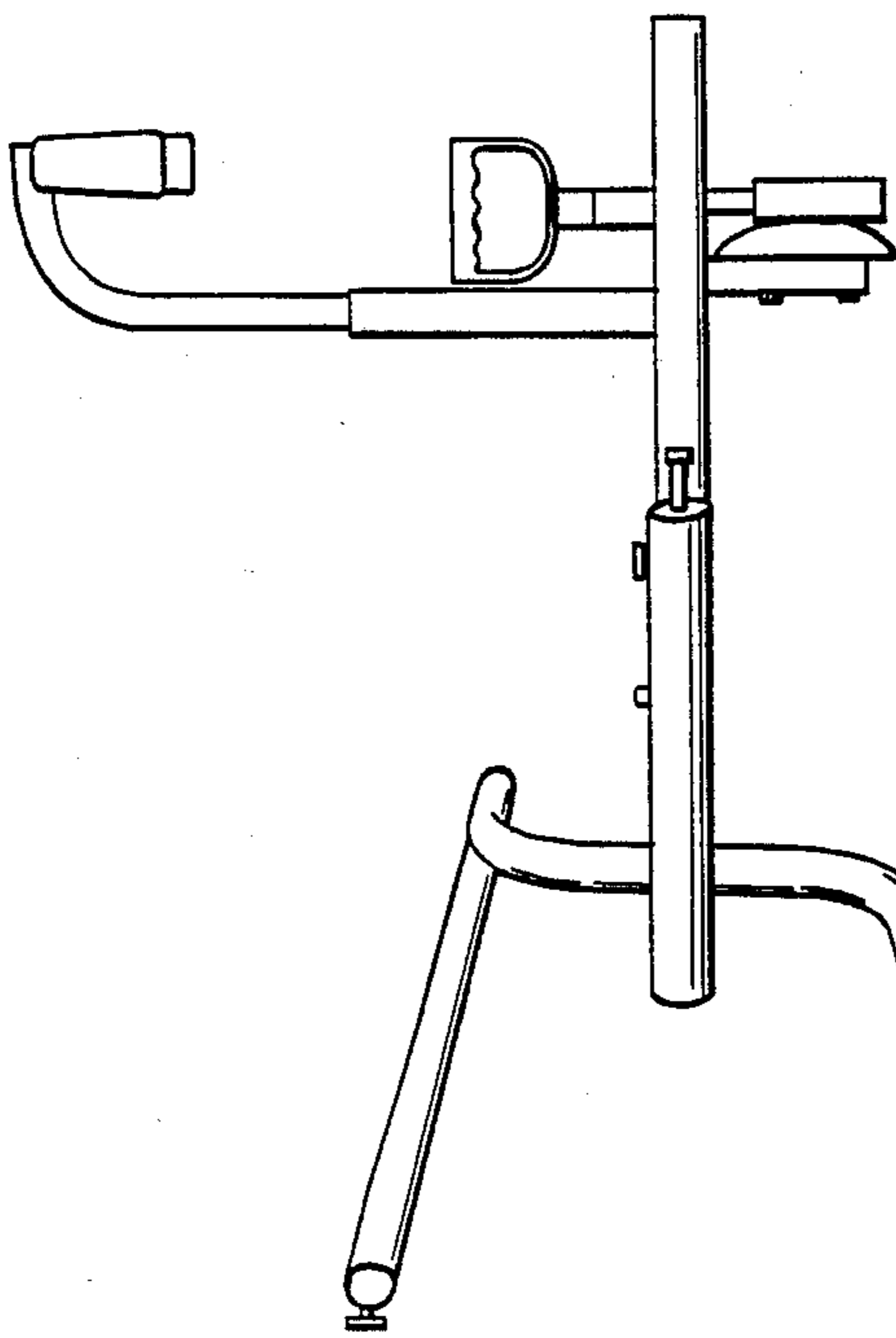


FIG. 2

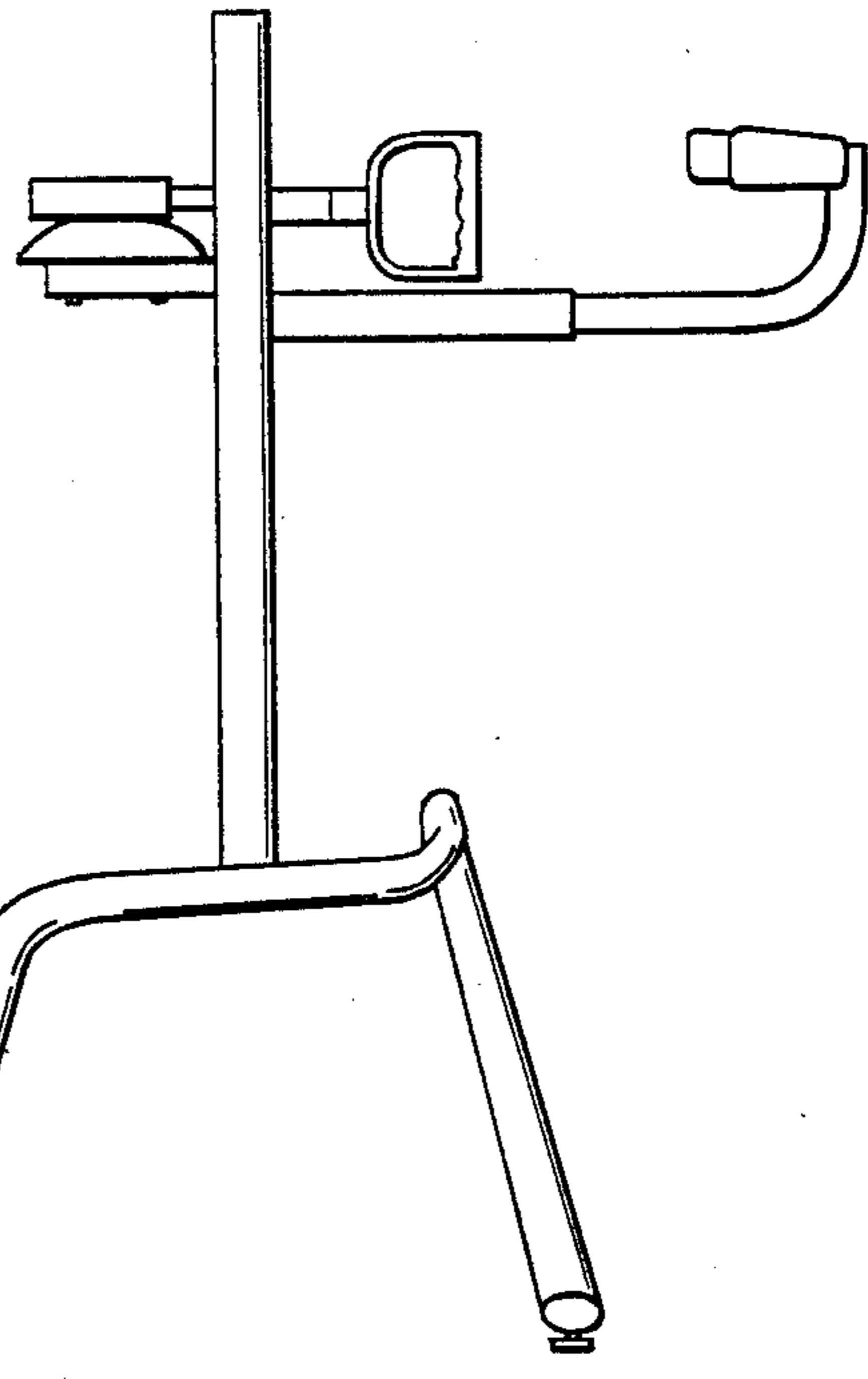


FIG. 1

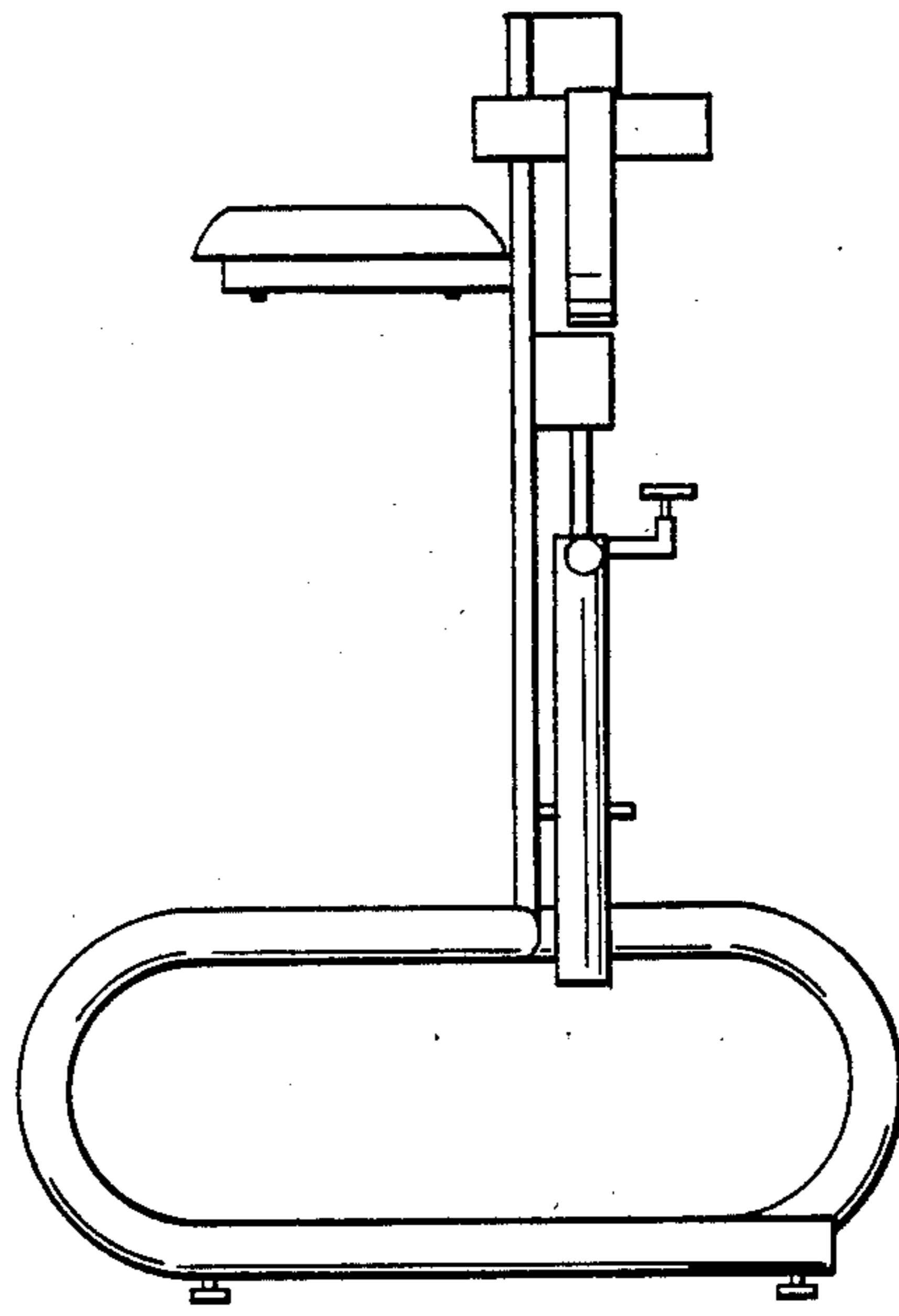


FIG. 5

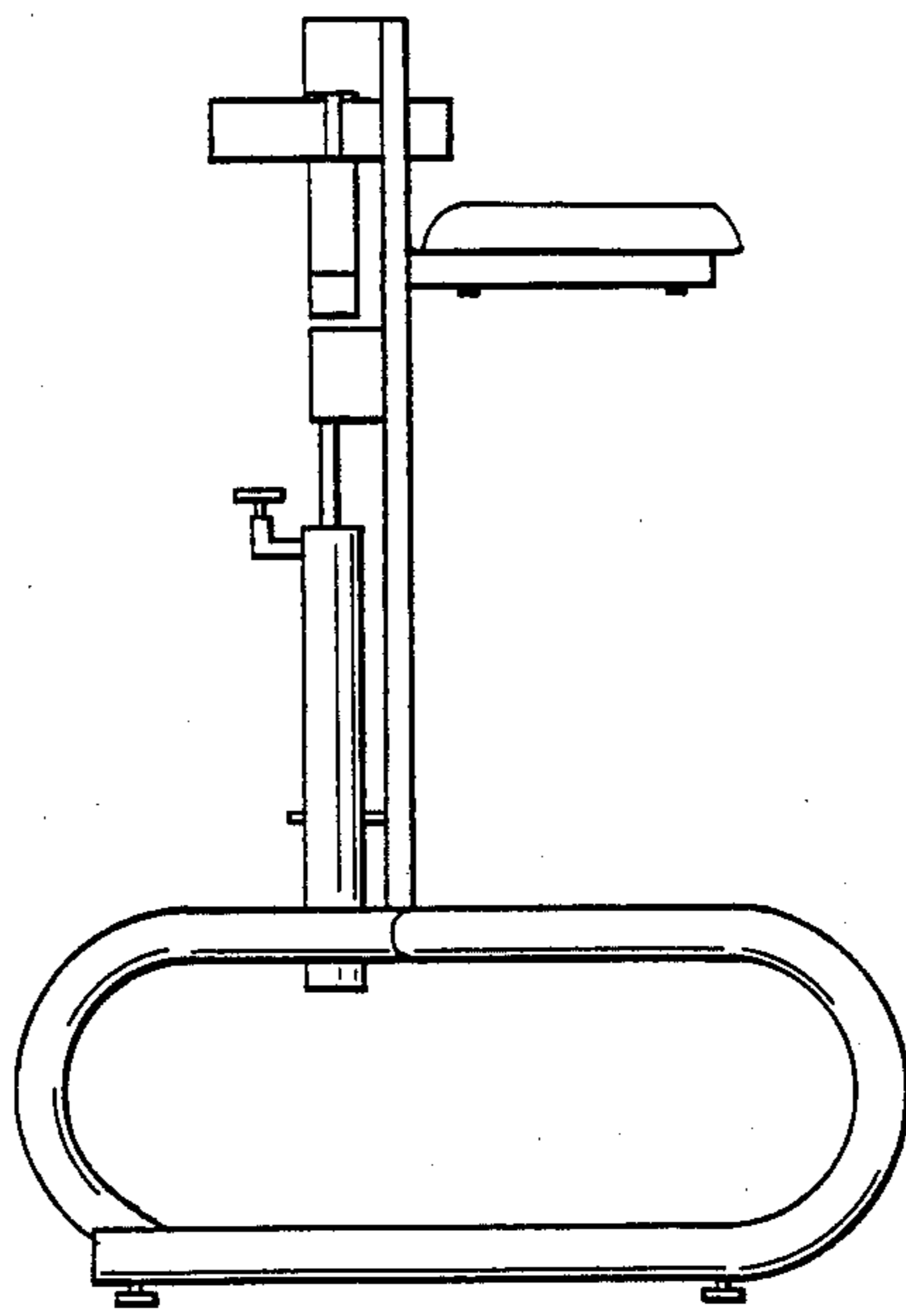


FIG. 6