

[54] HAND OPERATED EXERCISE BIKE

[76] Inventor: Hugo Rubio, 11952 Rapner St., North Hollywood, Calif. 91605

[**] Term: 14 Years

[21] Appl. No.: 881,723

[22] Filed: Jul. 3, 1986

[52] U.S. Cl. D21/194

[58] Field of Search D21/191-199; 270/70.3, 73, 132, DIG. 6; 73/379

[56] References Cited

U.S. PATENT DOCUMENTS

D. 283,151	3/1986	Knief	D21/194
3,759,512	9/1973	Yount et al.	272/73
4,071,235	1/1978	Zent	272/73
4,582,318	4/1986	Giannelli et al.	272/73

Primary Examiner—Charles A. Rademaker
Attorney, Agent, or Firm—Charles H. Schwartz;
Ellsworth R. Roston

[57] CLAIM

The ornamental design for a hand operated exercise bike, as shown and described.

DESCRIPTION

FIG. 1 is a right side elevational view of a hand operated exercise bike showing my new design; FIG. 2 is a front elevational view thereof; FIG. 3 is a top plan view thereof; FIG. 4 is a left side elevational view thereof; FIG. 5 is a rear elevational view thereof; FIG. 6 is a bottom plan view thereof; and FIG. 7 is a rear perspective view of a modified embodiment of the design shown in FIGS. 1 through 6.

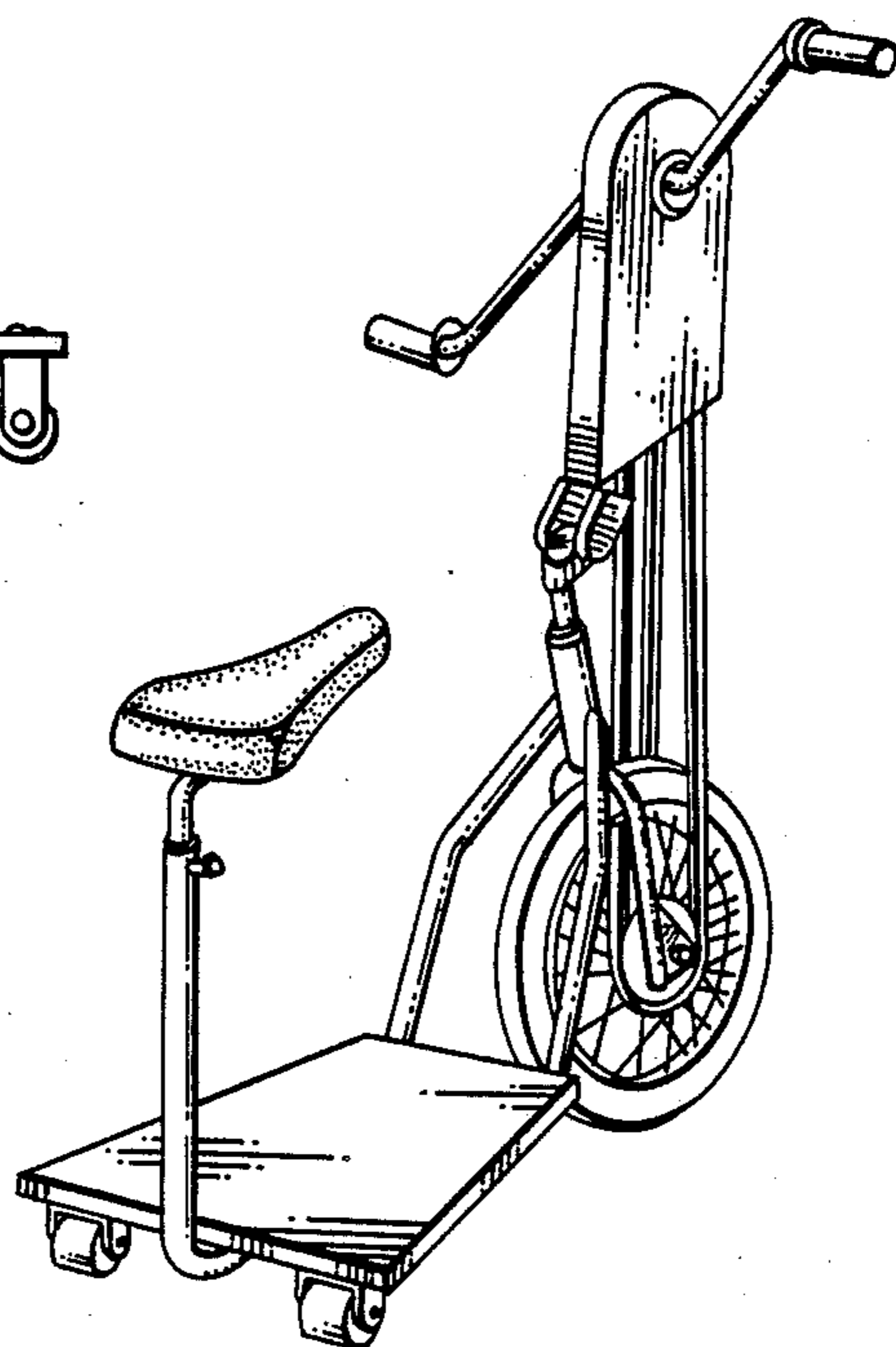
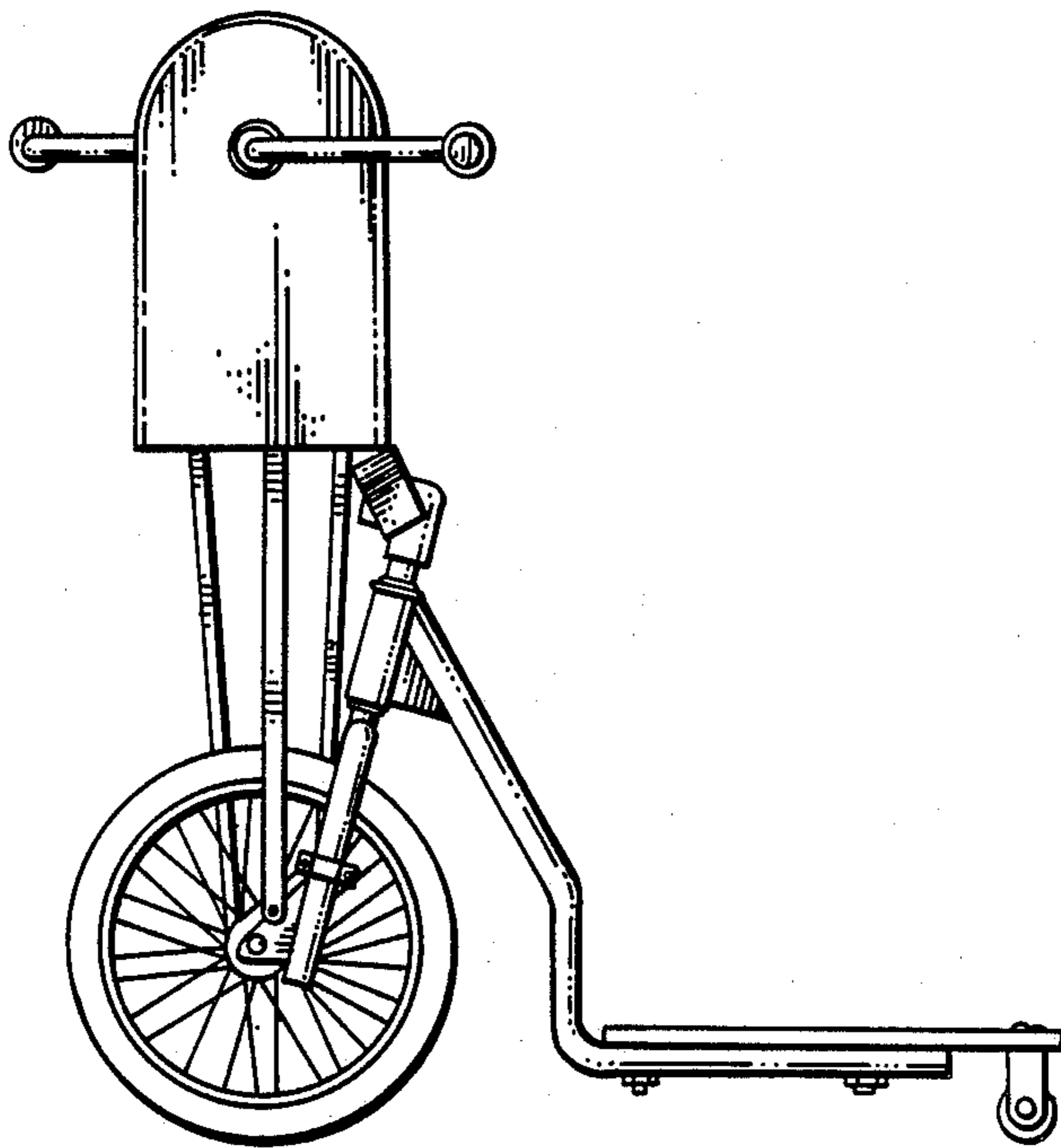


FIG. 1

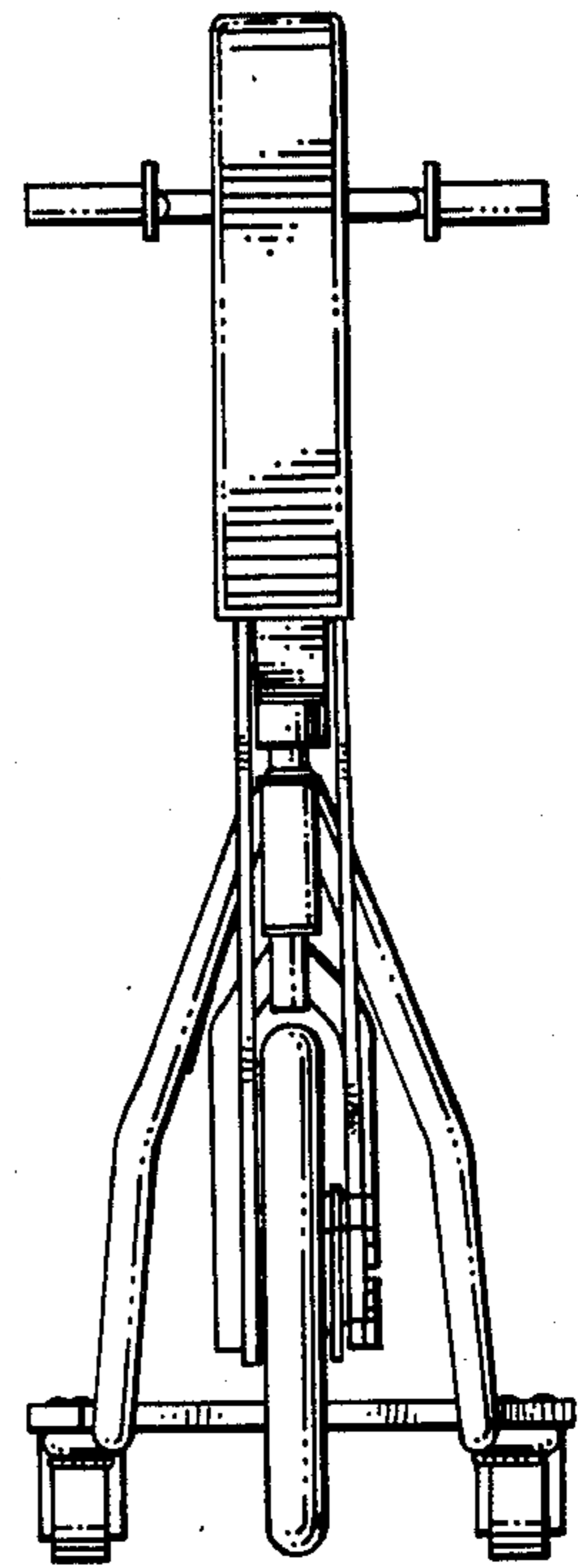
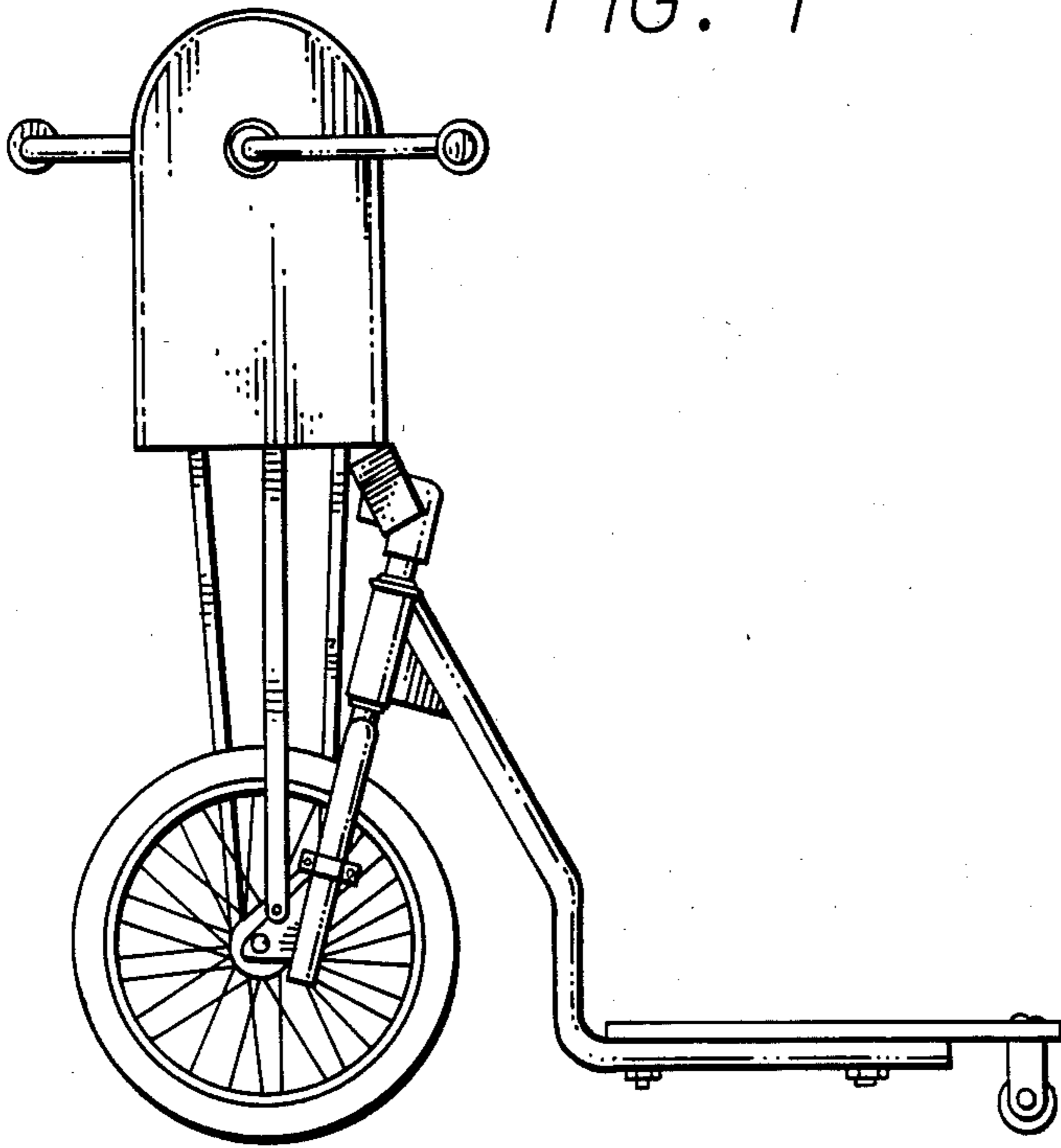


FIG. 2

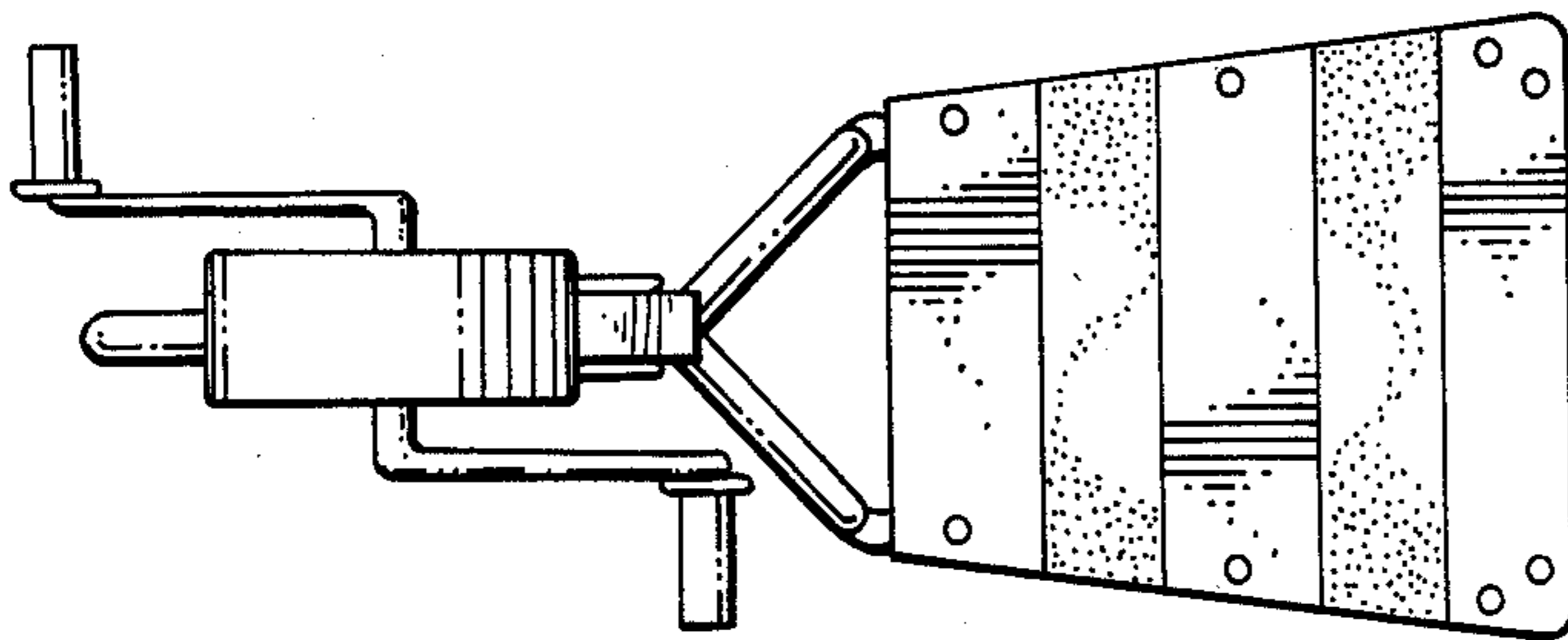


FIG. 3

FIG. 4

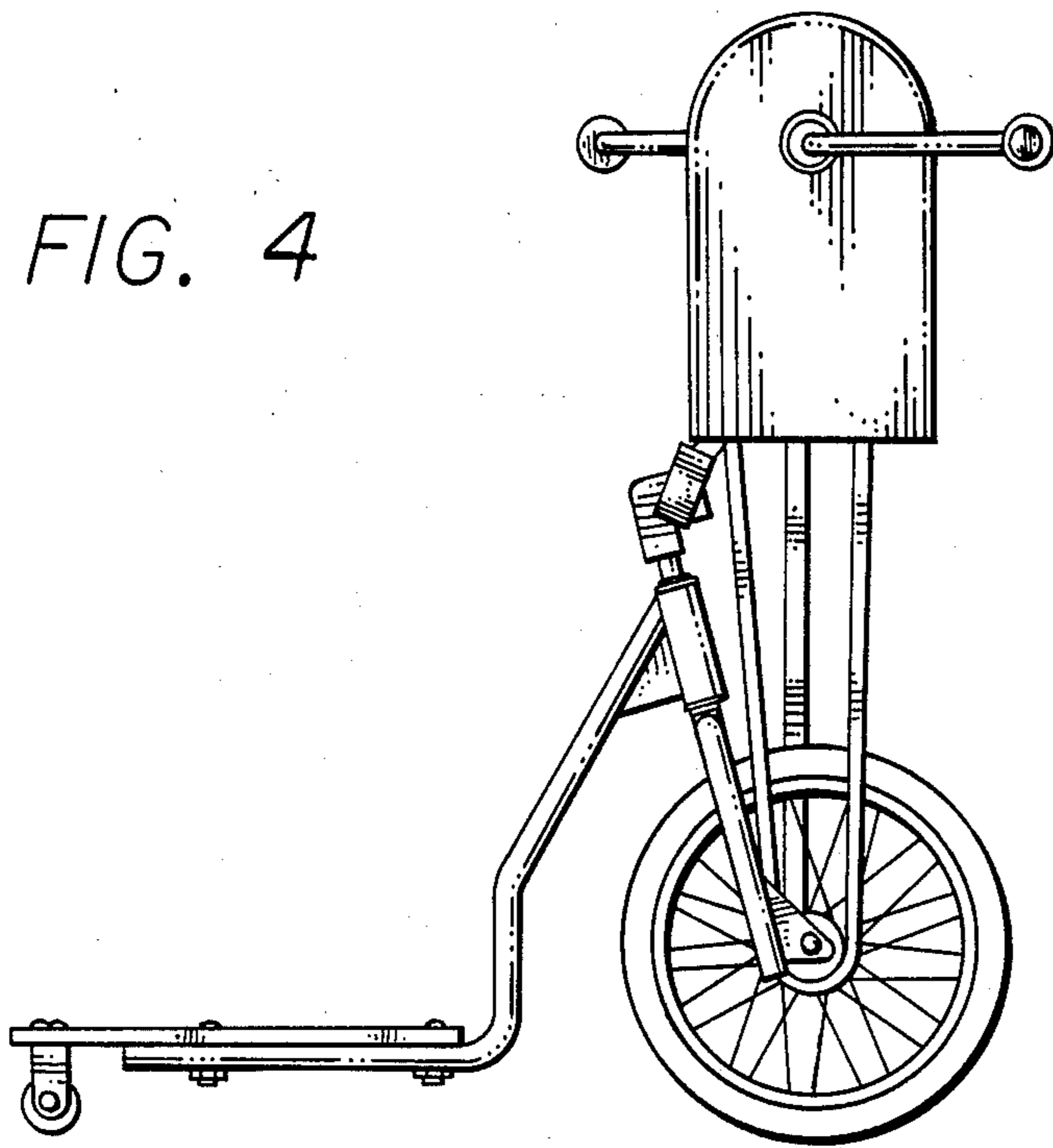


FIG. 5

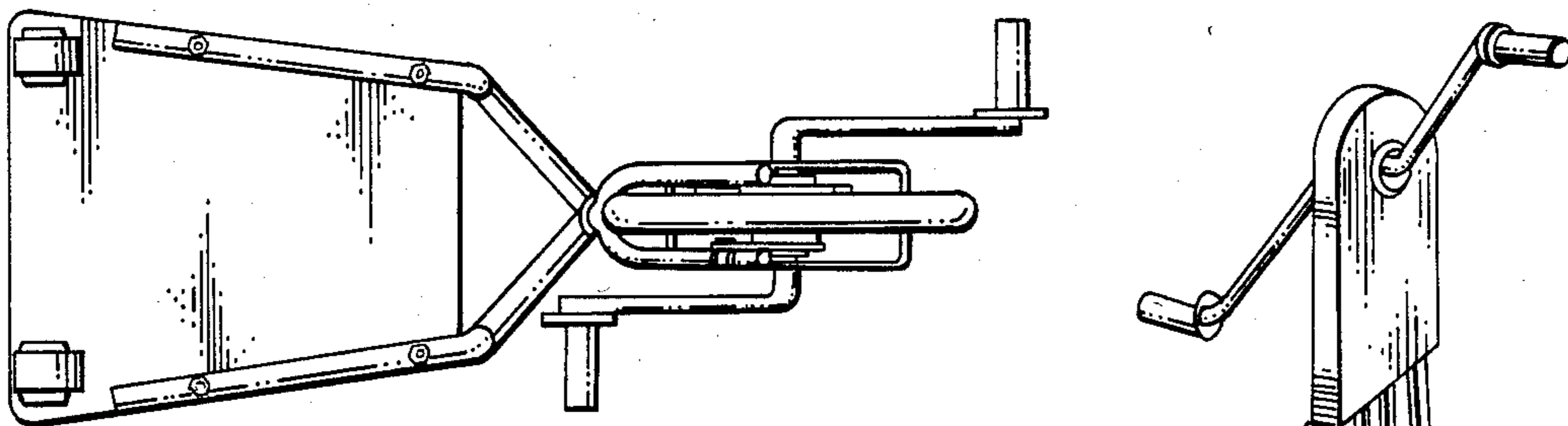
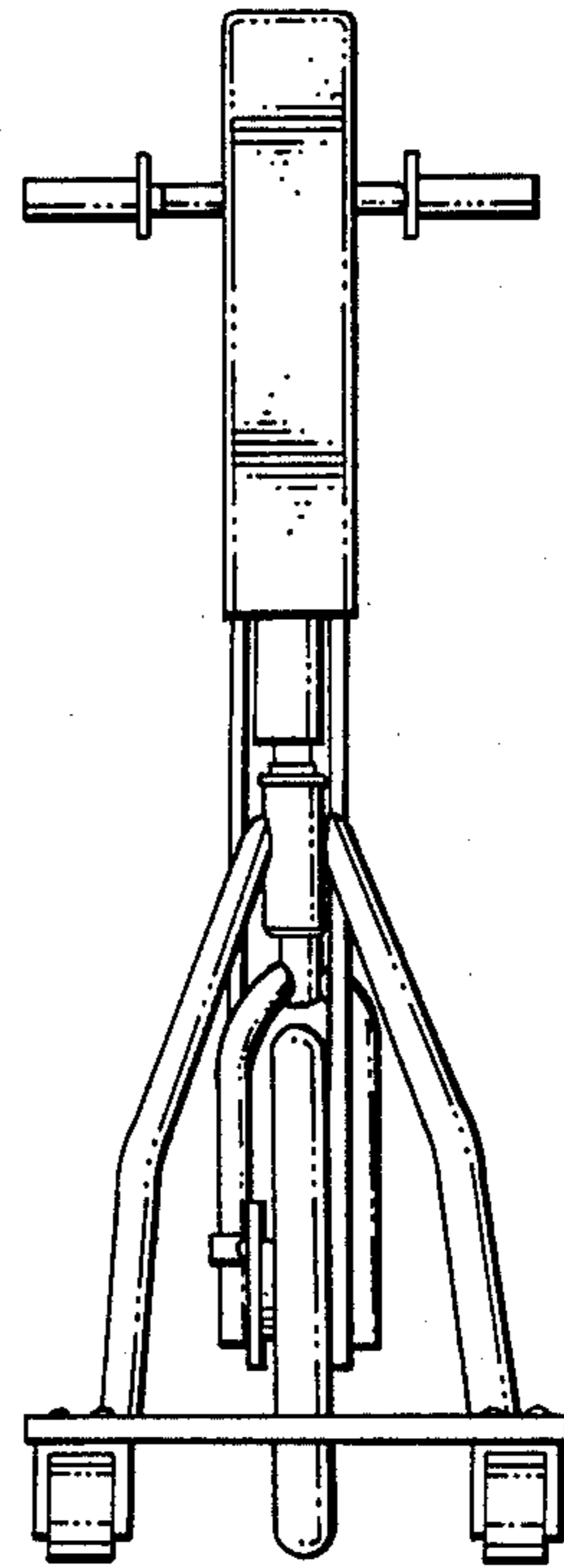


FIG. 6

FIG. 7

