

[54] **KITCHEN TOY**

[75] **Inventor: Augusto Argandona, East Aurora, N.Y.**

[73] **Assignee: The Quaker Oats Company, Chicago, Ill.**

[\*\*] **Term: 14 Years**

[21] **Appl. No.: 920,853**

[22] **Filed: Oct. 17, 1986**

[52] **U.S. Cl. .... D21/122**

[58] **Field of Search ..... D21/109, 122, 121; D7/334, 335; 446/71, 479, 481, 269**

[56] **References Cited**

**U.S. PATENT DOCUMENTS**

- D. 261,404 10/1981 Appel et al. .... D21/122
- D. 279,304 6/1985 Imatt et al. .... D21/122
- D. 293,067 12/1987 Stephen et al. .... D7/334
- 3,133,376 5/1964 Orenstein ..... 446/481

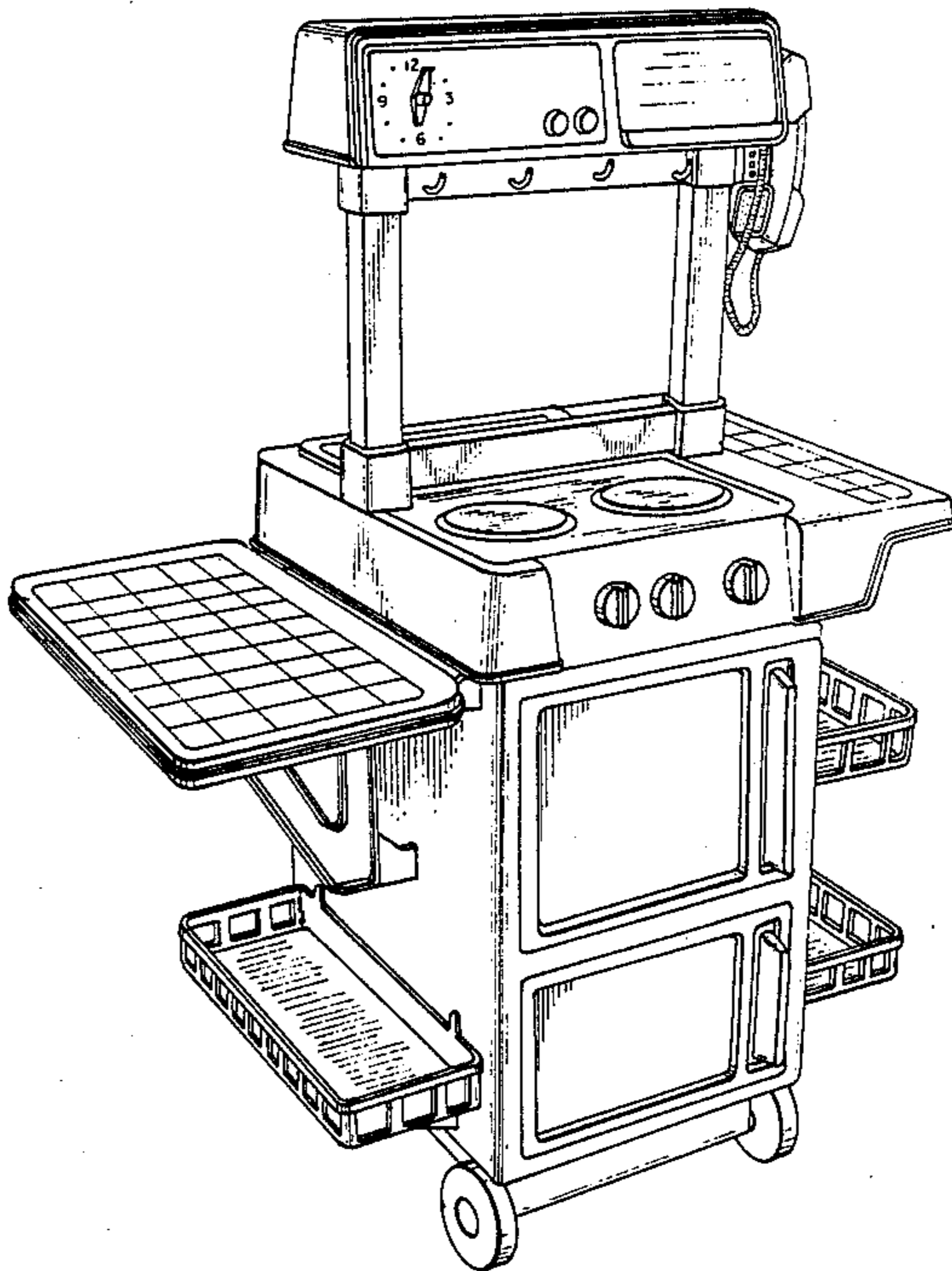
*Primary Examiner*—Charles A. Rademaker  
*Attorney, Agent, or Firm*—Cumpston & Shaw

[57] **CLAIM**

The ornamental design for a kitchen toy, as shown and described.

**DESCRIPTION**

FIG. 1 is a left front perspective view of a kitchen toy showing my new design; FIG. 2 is a rear elevational view thereof; and FIG. 3 is a right-side elevational view thereof.



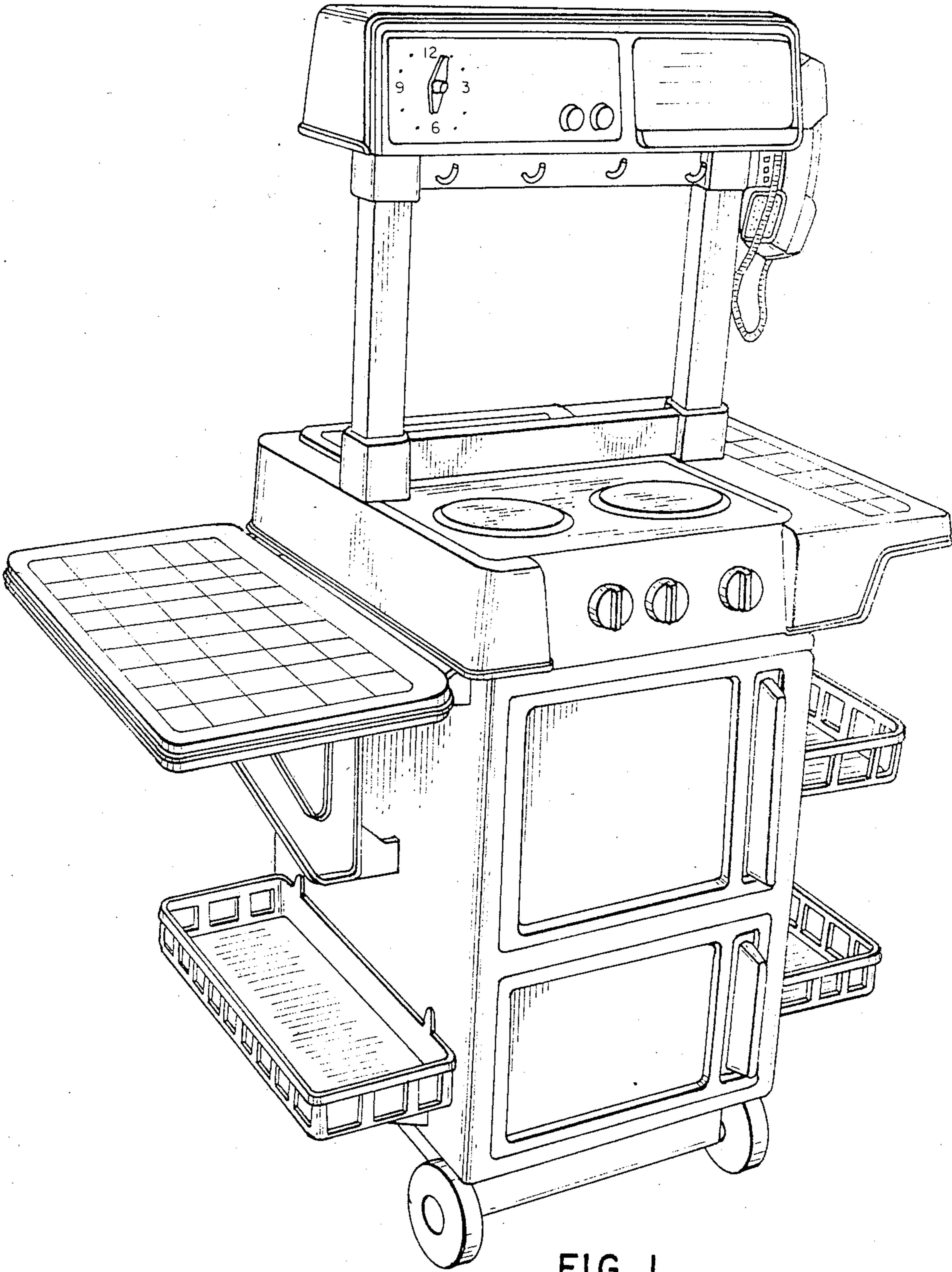


FIG. 1

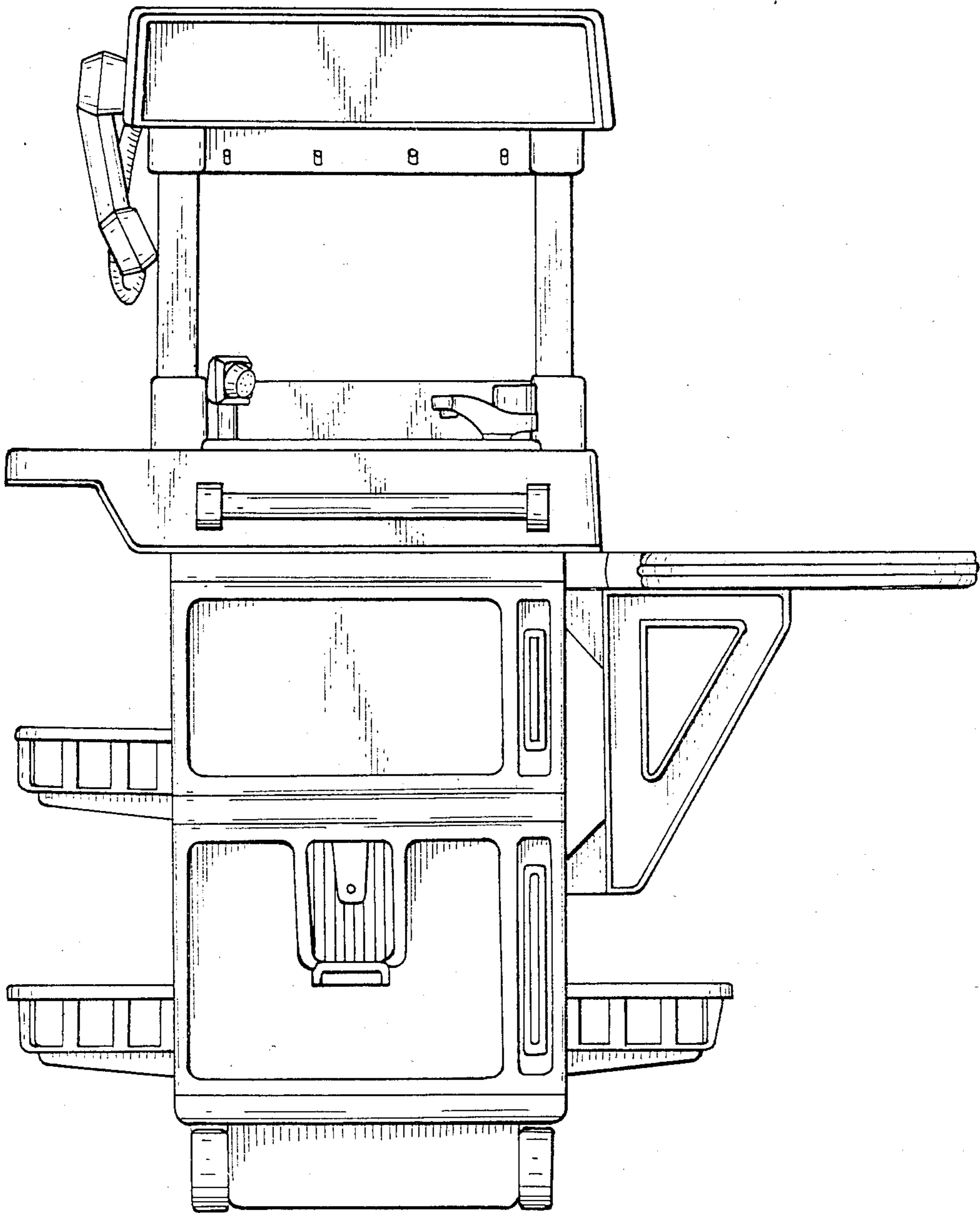


FIG. 2

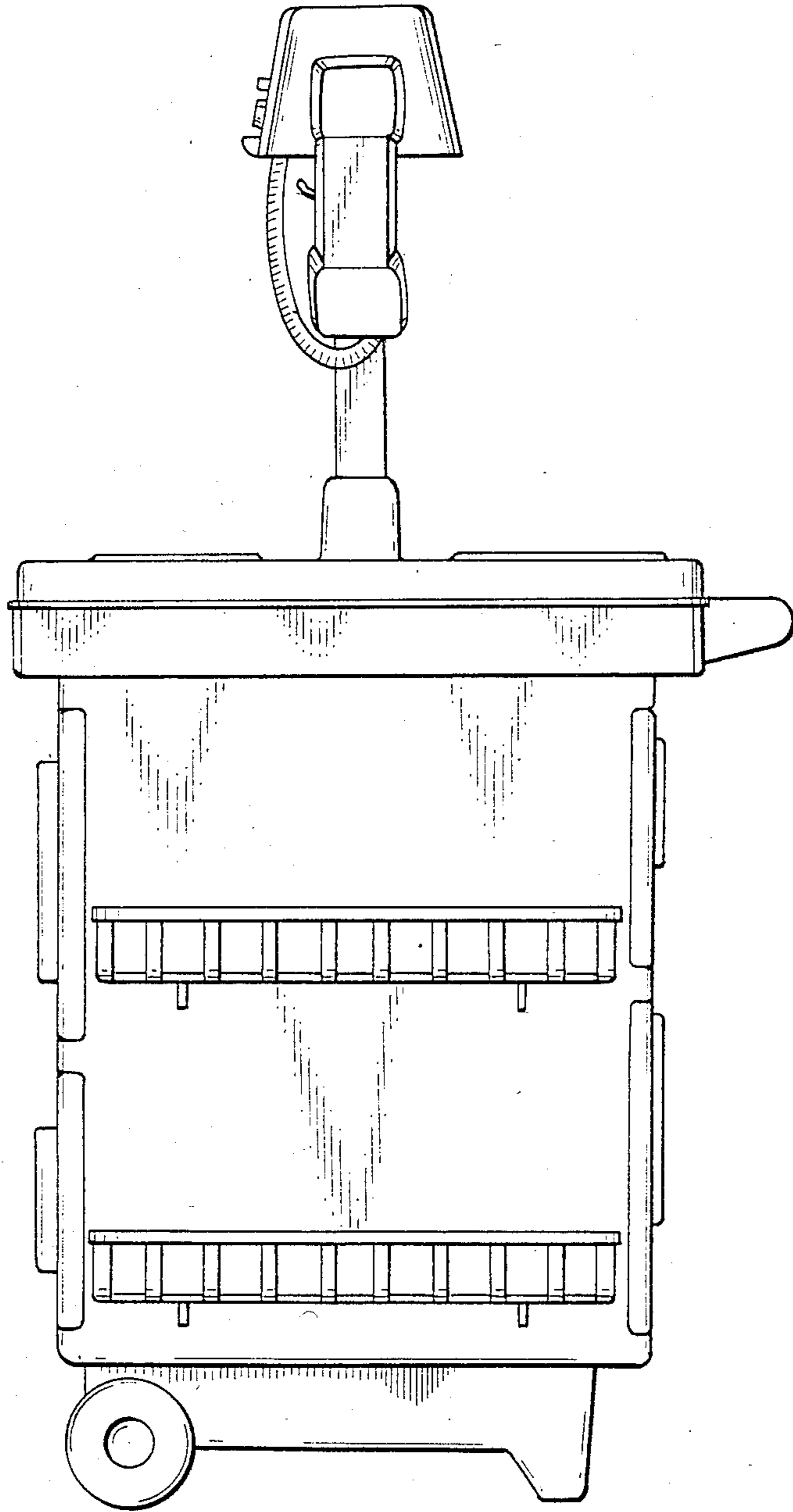


FIG. 3