

[54] **TOY FRYING PAN**

[75] **Inventor: Craig J. McElhaney, East Aurora, N.Y.**

[73] **Assignee: The Quaker Oats Company, Chicago, Ill.**

[**] **Term: 14 Years**

[21] **Appl. No.: 919,487**

[22] **Filed: Oct. 15, 1986**

[52] **U.S. Cl. D21/109**

[58] **Field of Search D21/122, 109, 59;
D7/334, 354, 355, 314, 361; 446/71, 73, 479,
481, 491**

[56] **References Cited**

U.S. PATENT DOCUMENTS

D. 181,656 12/1957 Jepson et al. D7/361
D. 230,041 1/1974 Saito D21/122
D. 236,415 8/1975 Cyren D7/361
D. 256,420 8/1980 Rice et al. D7/361

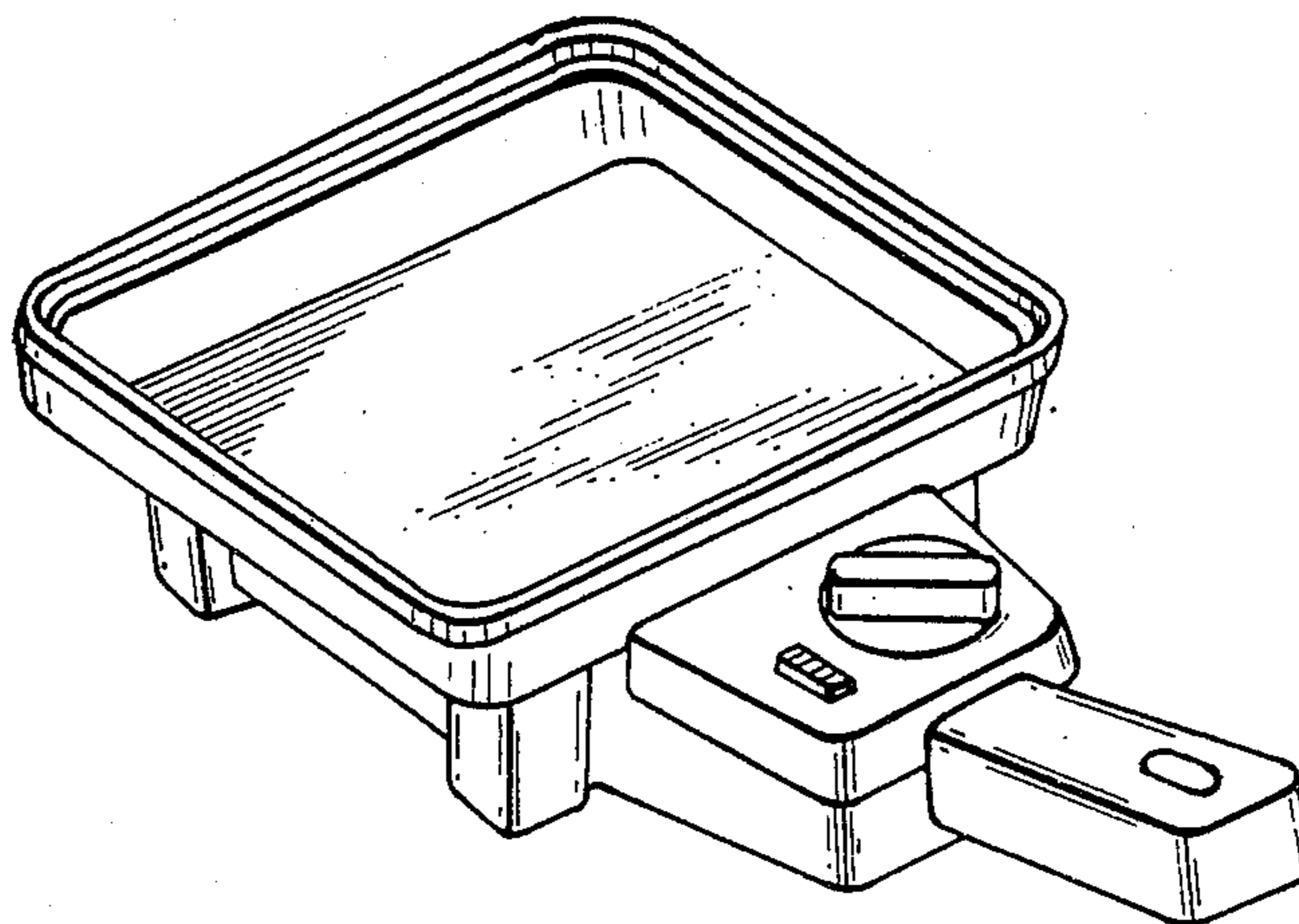
Primary Examiner—Charles A. Rademaker
Attorney, Agent, or Firm—Cumpston & Shaw

[57] **CLAIM**

The ornamental design for a toy frying pan, as shown.

DESCRIPTION

FIG. 1 is a rear and left-side perspective view of a toy frying pan showing my new design;
FIG. 2 is a right-side elevational view thereof;
FIG. 3 is a front elevational view thereof; and
FIG. 4 is a bottom plan view thereof.



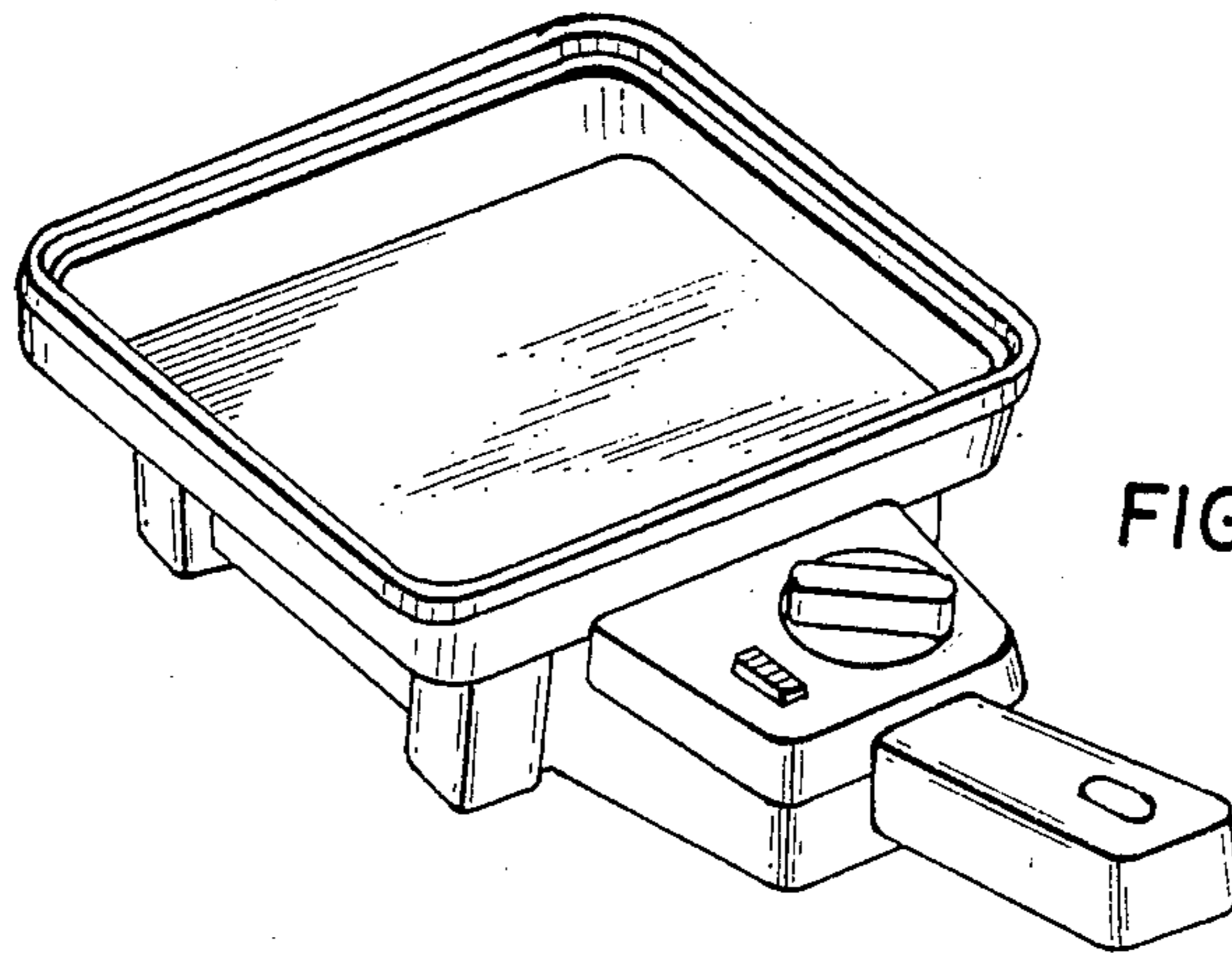


FIG. 1

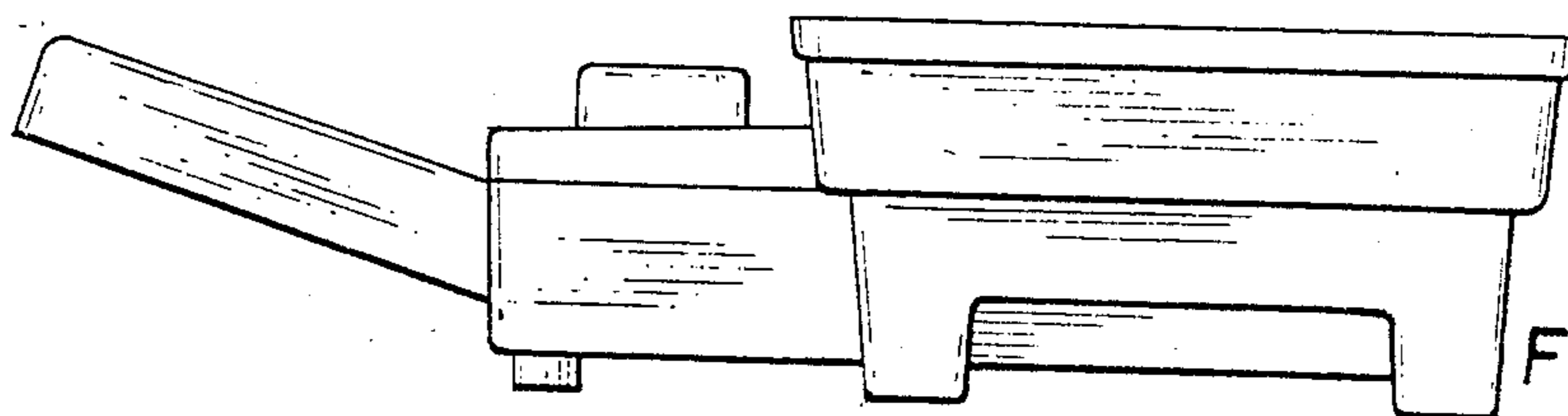


FIG. 2

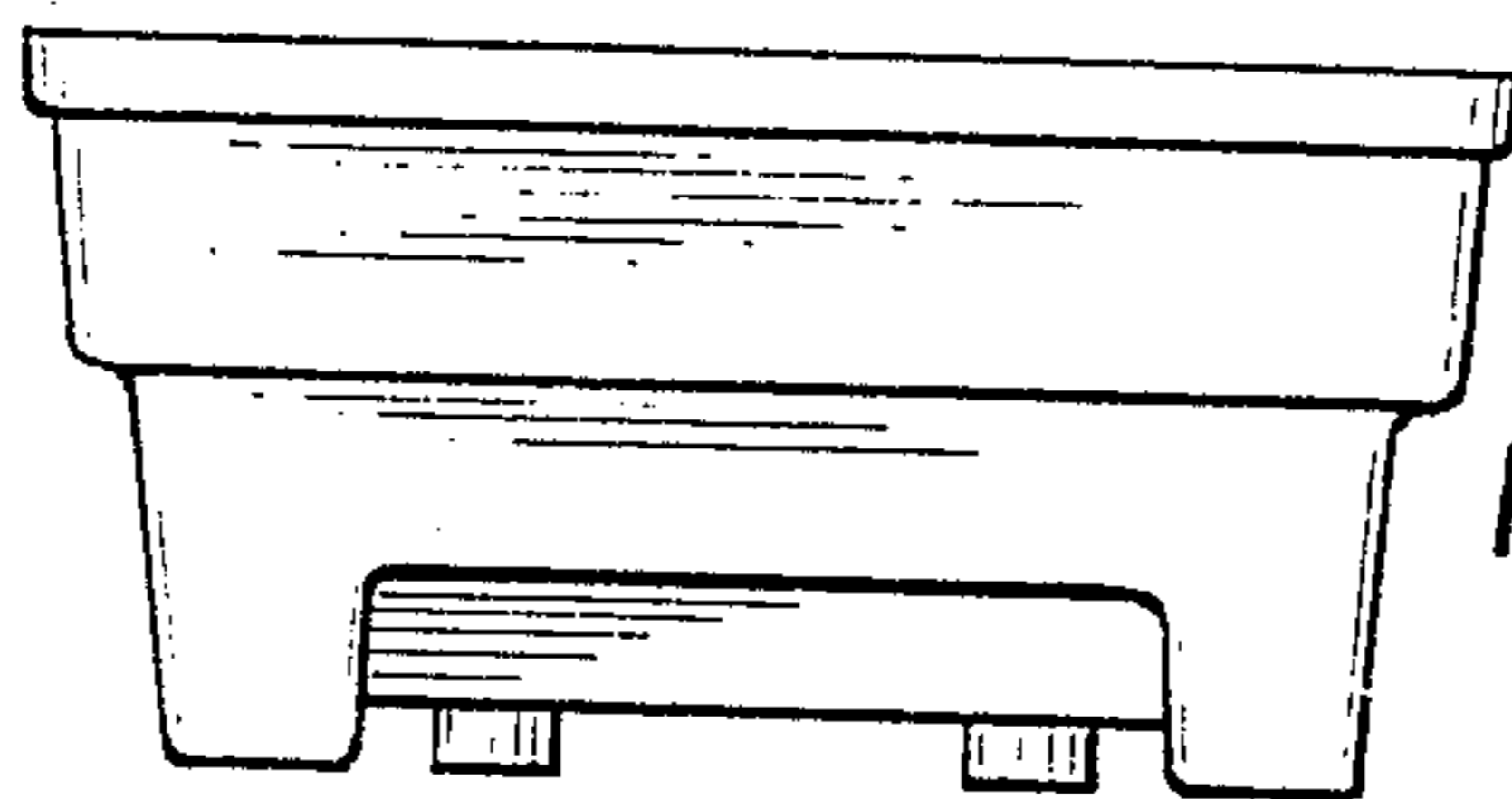


FIG. 3

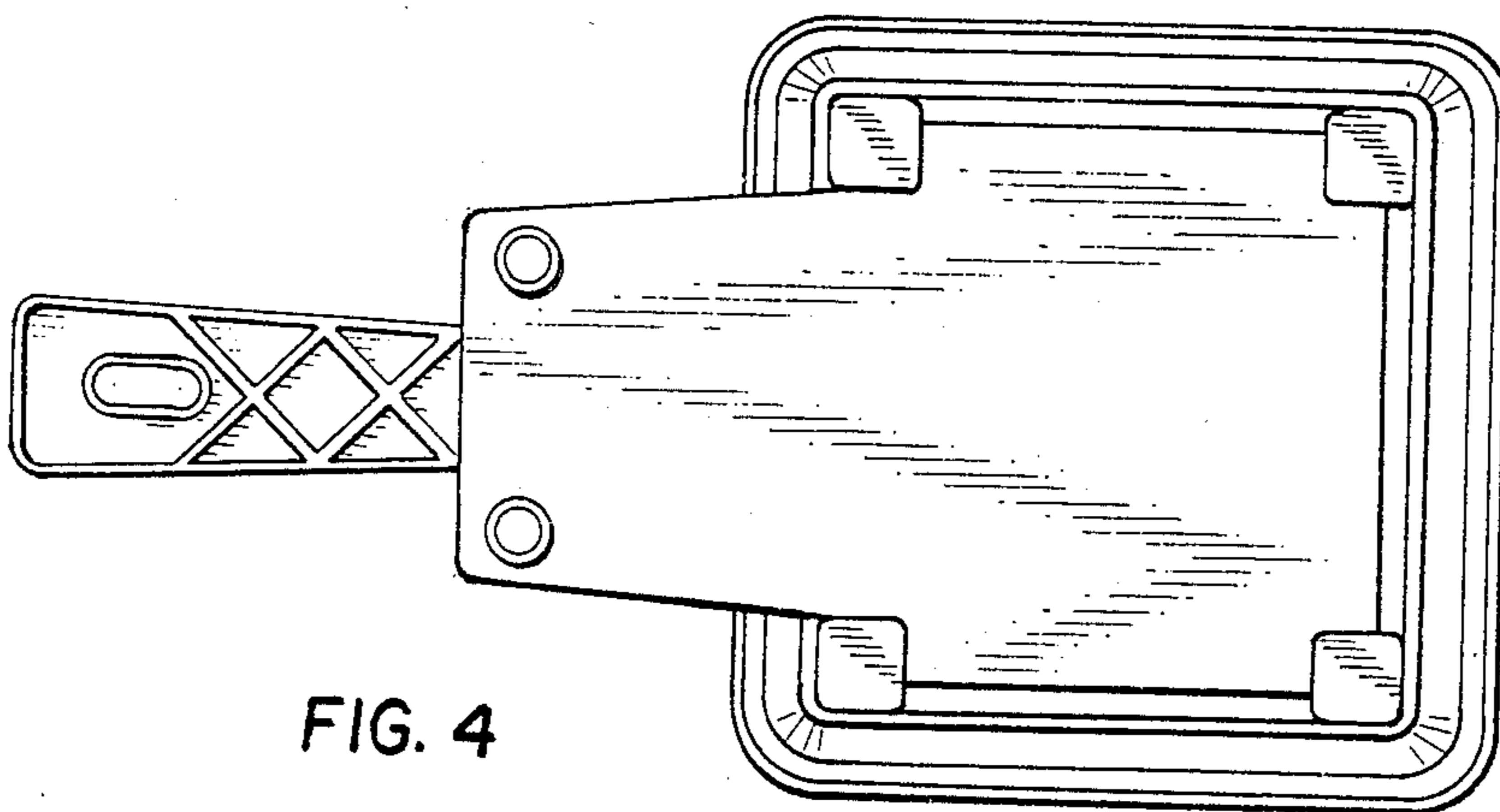


FIG. 4