

[54] **SLOPING SAWMILL**
[75] **Inventor: Giuseppe Gemmani, Rimini, Italy**
[73] **Assignee: SCM S.p.A., Italy**
[**] **Term: 14 Years**
[21] **Appl. No.: 942,590**
[22] **Filed: Dec. 16, 1986**

[30] **Foreign Application Priority Data**

Jul. 4, 1986 [IT] Italy 4923/86[U]
[52] **U.S. Cl. D15/133**
[58] **Field of Search D15/133; 144/1 R, 286 R,
144/286 A; 83/467 R, 471, 472, 477, 477.2, 859**

[56] **References Cited**

U.S. PATENT DOCUMENTS

D. 164,761 10/1951 Busbee D15/133

3,934,630 1/1976 Cockle 144/1 R
4,378,035 3/1983 Chisum 144/1 R
4,584,918 4/1986 Stubbe et al. 83/471.3
4,753,144 6/1988 May 83/471.2

Primary Examiner—B. J. Bullock
Attorney, Agent, or Firm—Darby & Darby

[57] **CLAIM**

The ornamental design for a sloping sawmill, as shown and described.

DESCRIPTION

FIG. 1 is a front elevational view of the sloping sawmill, embodying my new design.
FIG. 2 is a left side elevational view thereof.
FIG. 3 is a right side elevational view thereof.
FIG. 4 is a rear elevational view thereof.
FIG. 5 is a top plan view thereof.
FIG. 6 is a right front perspective view thereof.

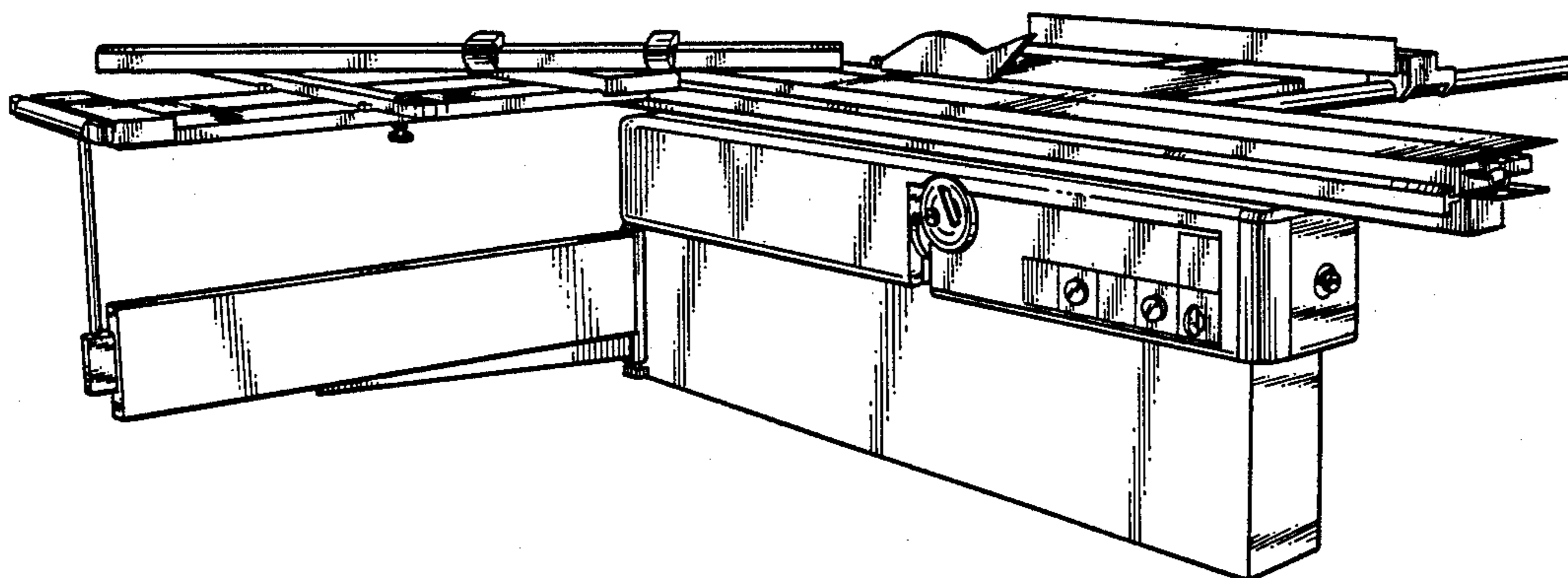


FIG 1

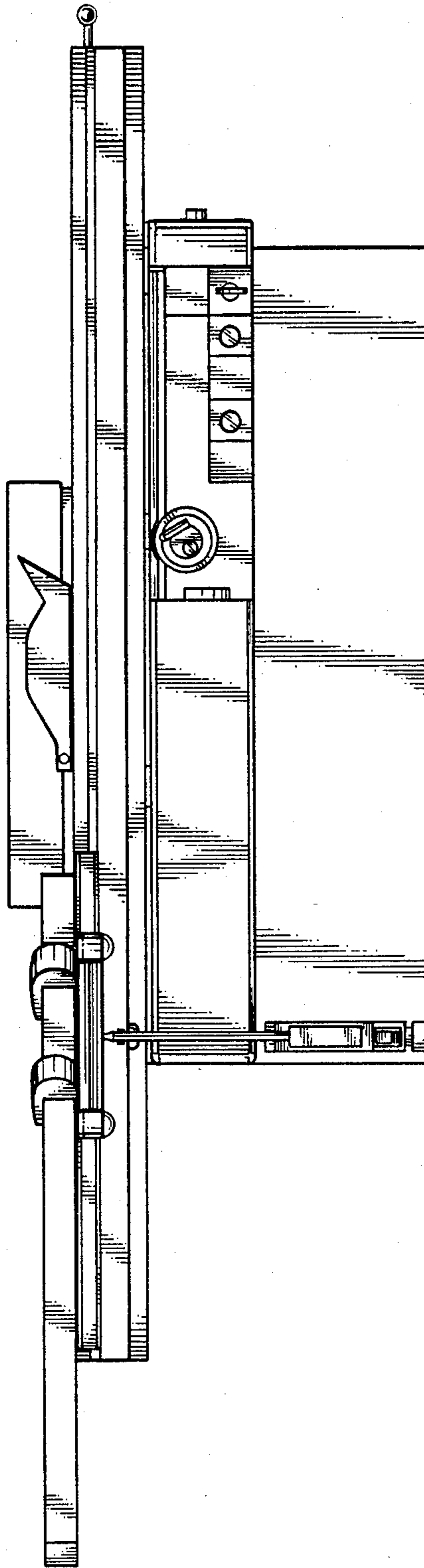


FIG 2

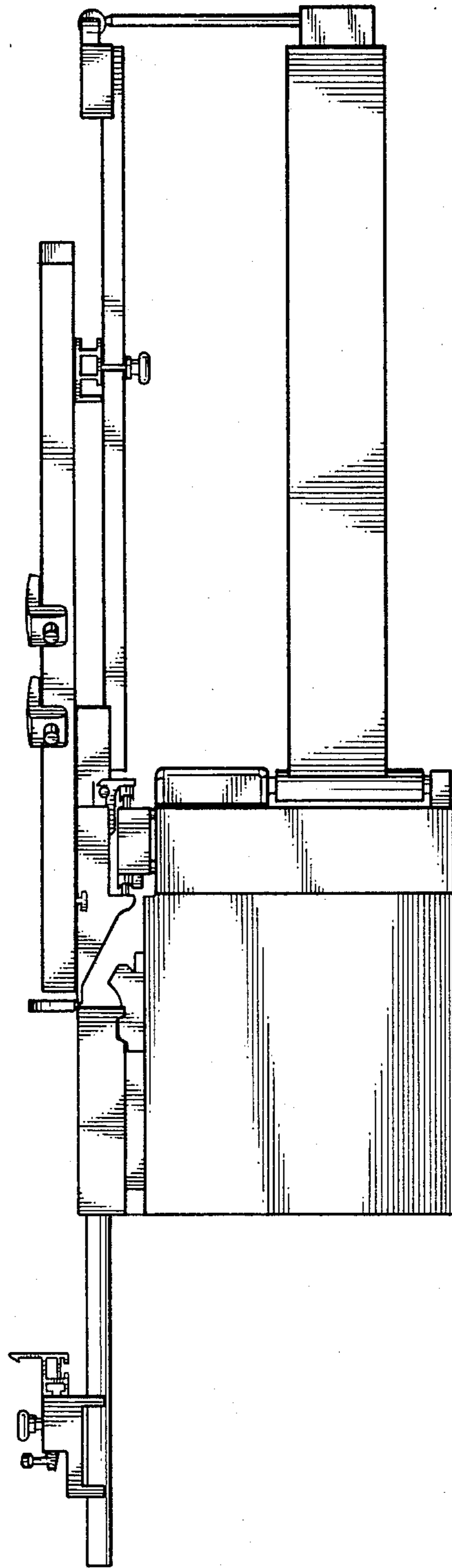


FIG 3

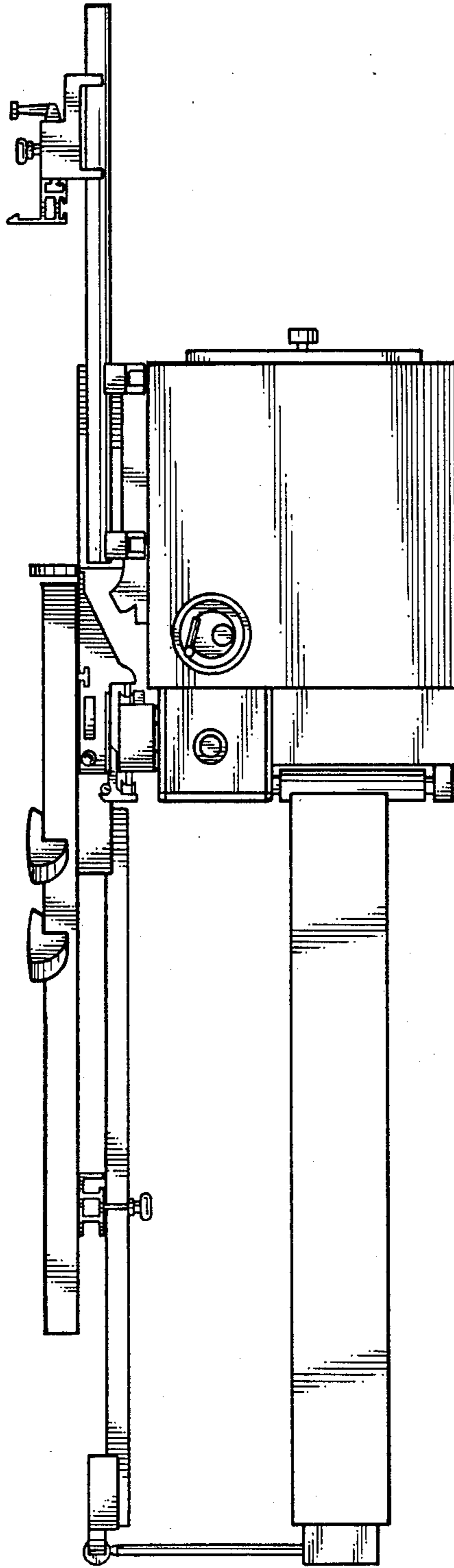
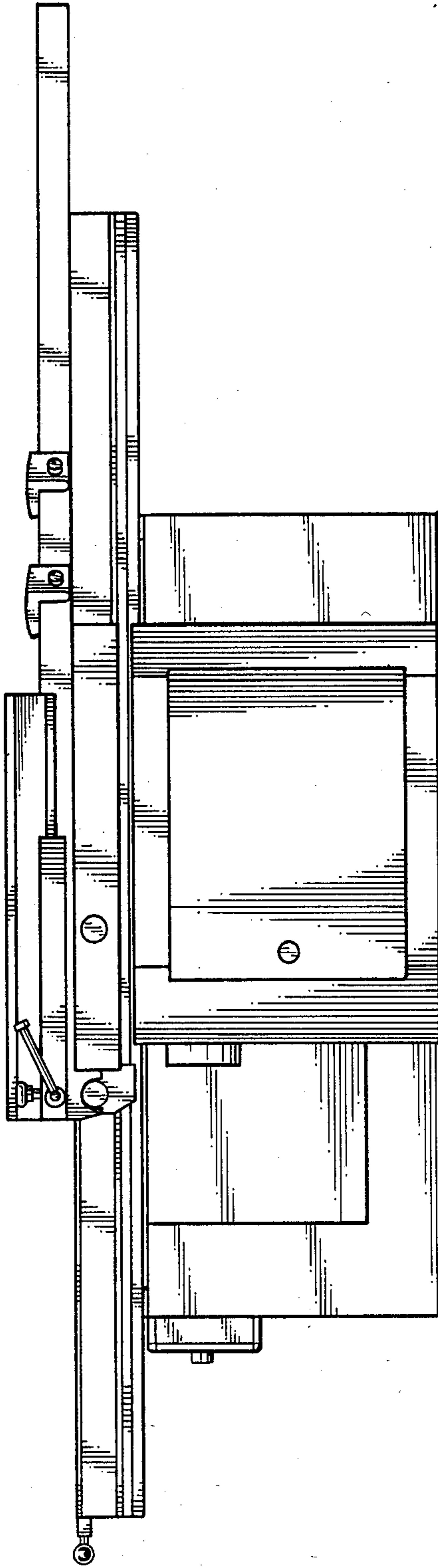


FIG 4



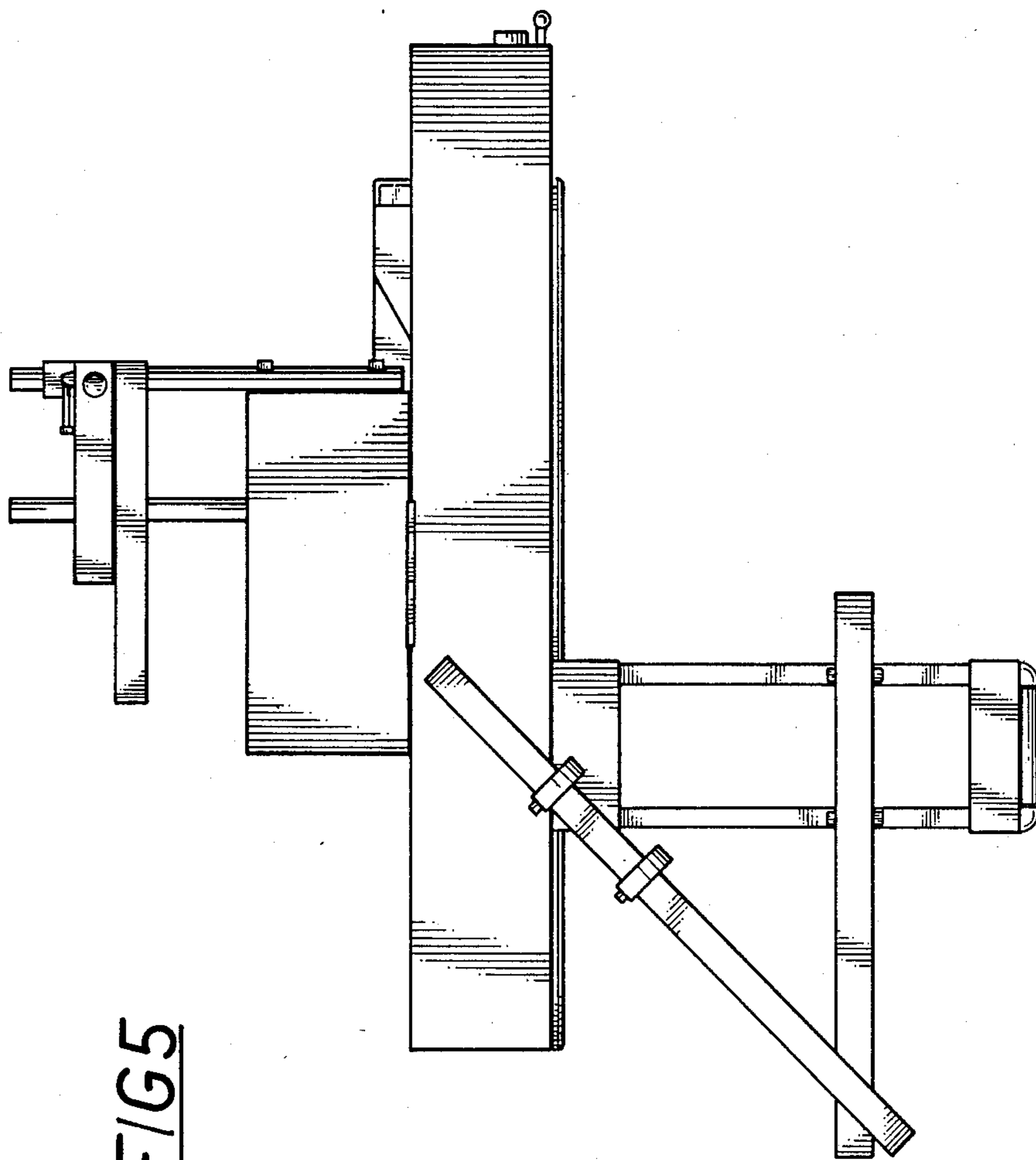


FIG 5

FIG 6

