

[54] INCLINED BED TURNING MACHINE

[75] Inventor: Peter Kronthaler, Österreich, Austria

[73] Assignee: Maier & Co., Austria

[**] Term: 14 Years

[21] Appl. No.: 881,015

[22] Filed: Jul. 1, 1986

[30] Foreign Application Priority Data

Feb. 28, 1986 [AT] Austria 17635

[52] U.S. Cl. D15/130

[58] Field of Search D15/130; 82/2 R, 2 B; 29/27 A, 27 B

[56] References Cited

U.S. PATENT DOCUMENTS

- D. 252,575 8/1979 Simmons D15/130
- D. 265,204 6/1982 Turchan et al. D15/130

- D. 265,319 7/1982 Watanabe et al. D15/130
- D. 281,167 10/1985 Myers et al. D15/130
- 4,576,069 3/1986 Bazuin 82/2 R
- 4,685,361 8/1987 Myers 82/2 R

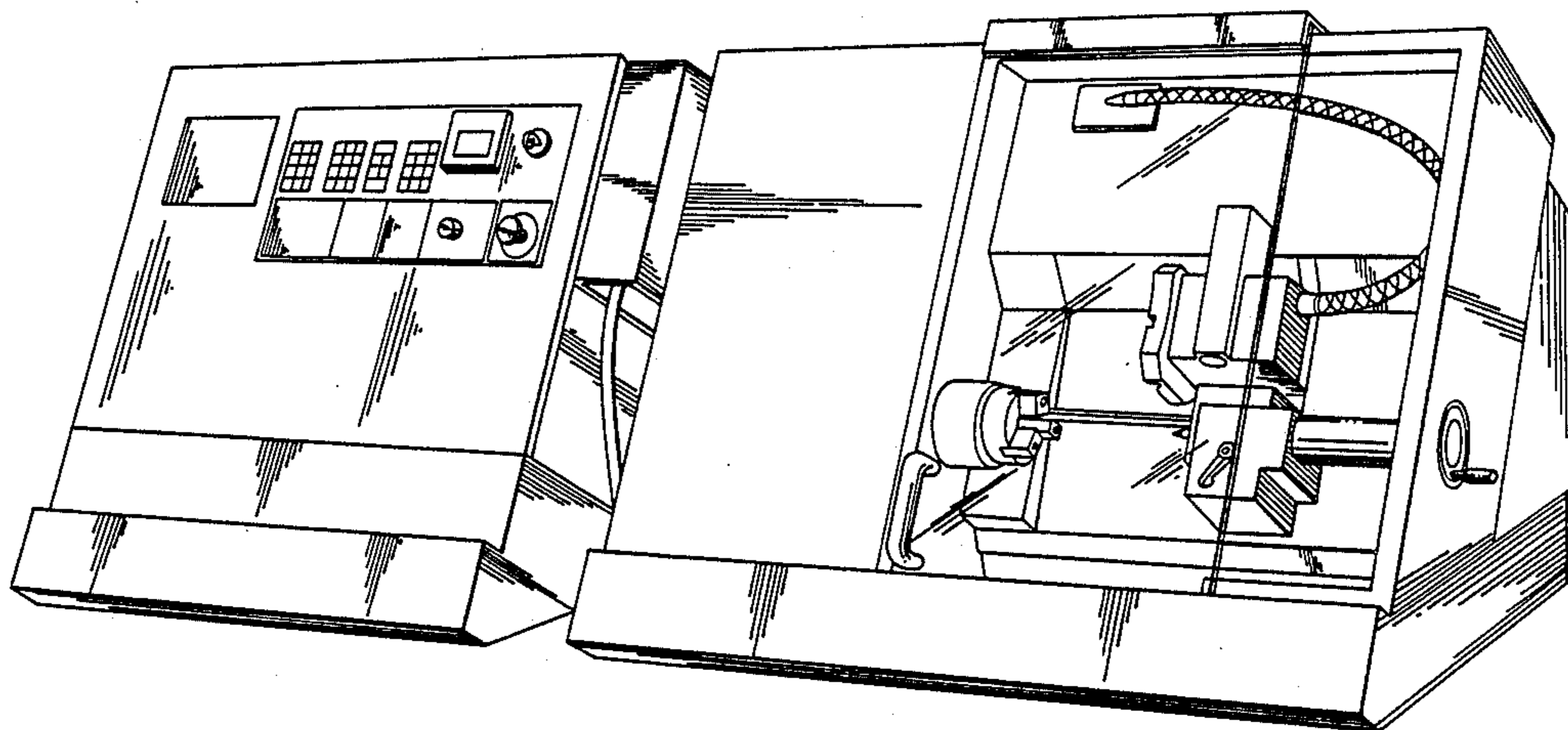
Primary Examiner—B. J. Bullock
Attorney, Agent, or Firm—McCormick, Paulding & Huber

[57] CLAIM

The ornamental design for an inclined bed turning machine, as shown and described.

DESCRIPTION

FIG. 1 is a perspective view of an inclined bed turning machine showing my new design; FIG. 2 is a front view thereof; FIG. 3 is a right side view thereof; FIG. 4 is a left side view thereof; FIG. 5 is a rear view thereof; and FIG. 6 is a top view thereof.



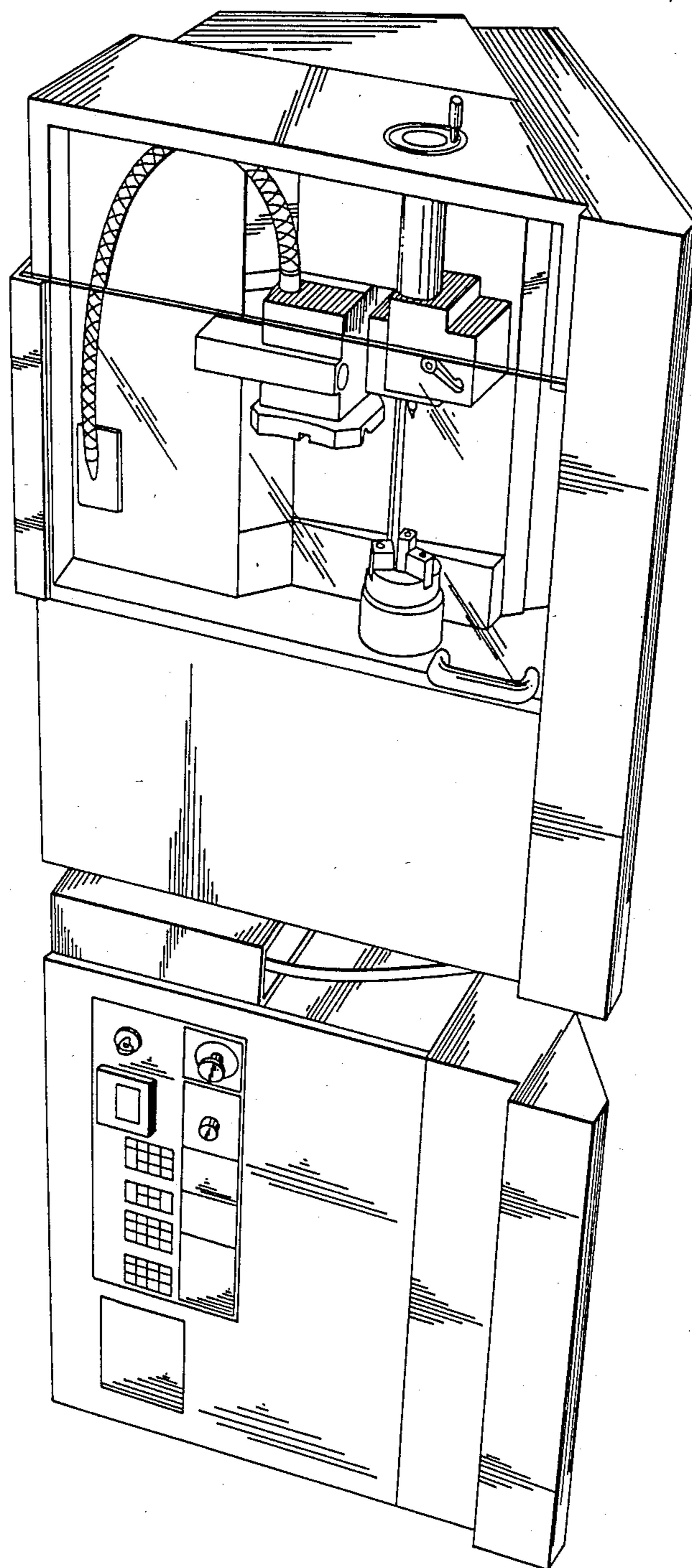


FIG. 1

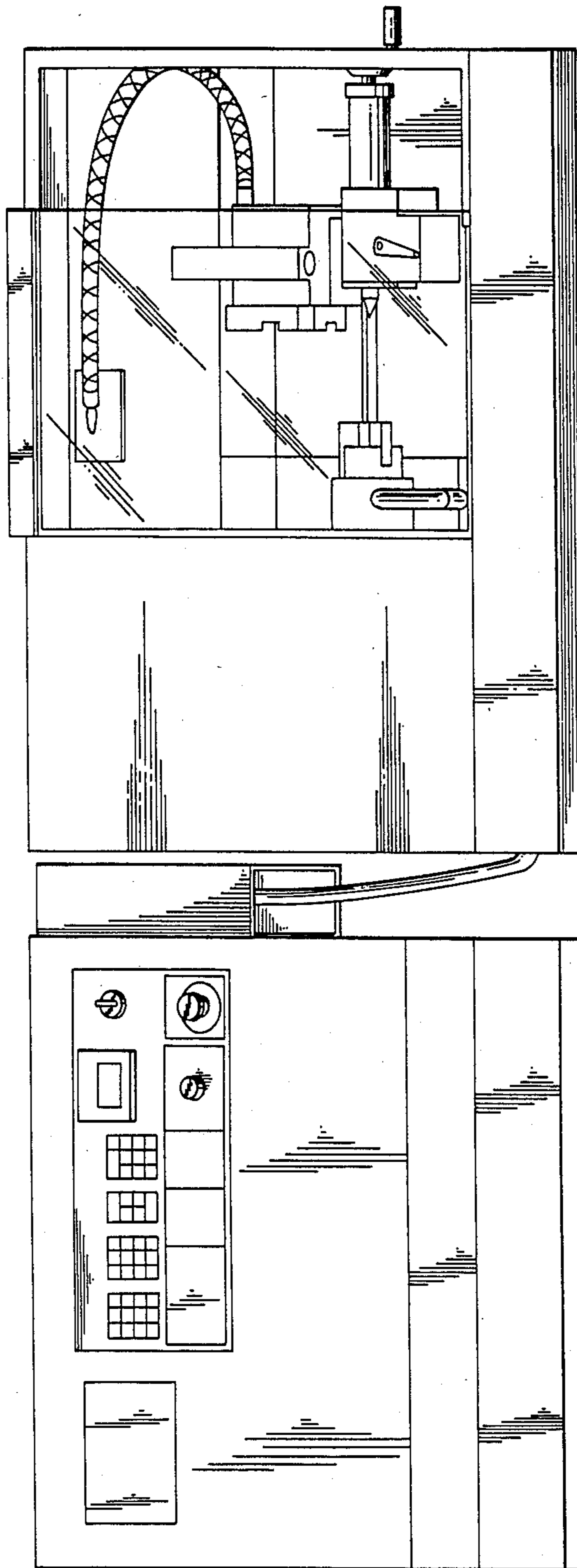


FIG. 2

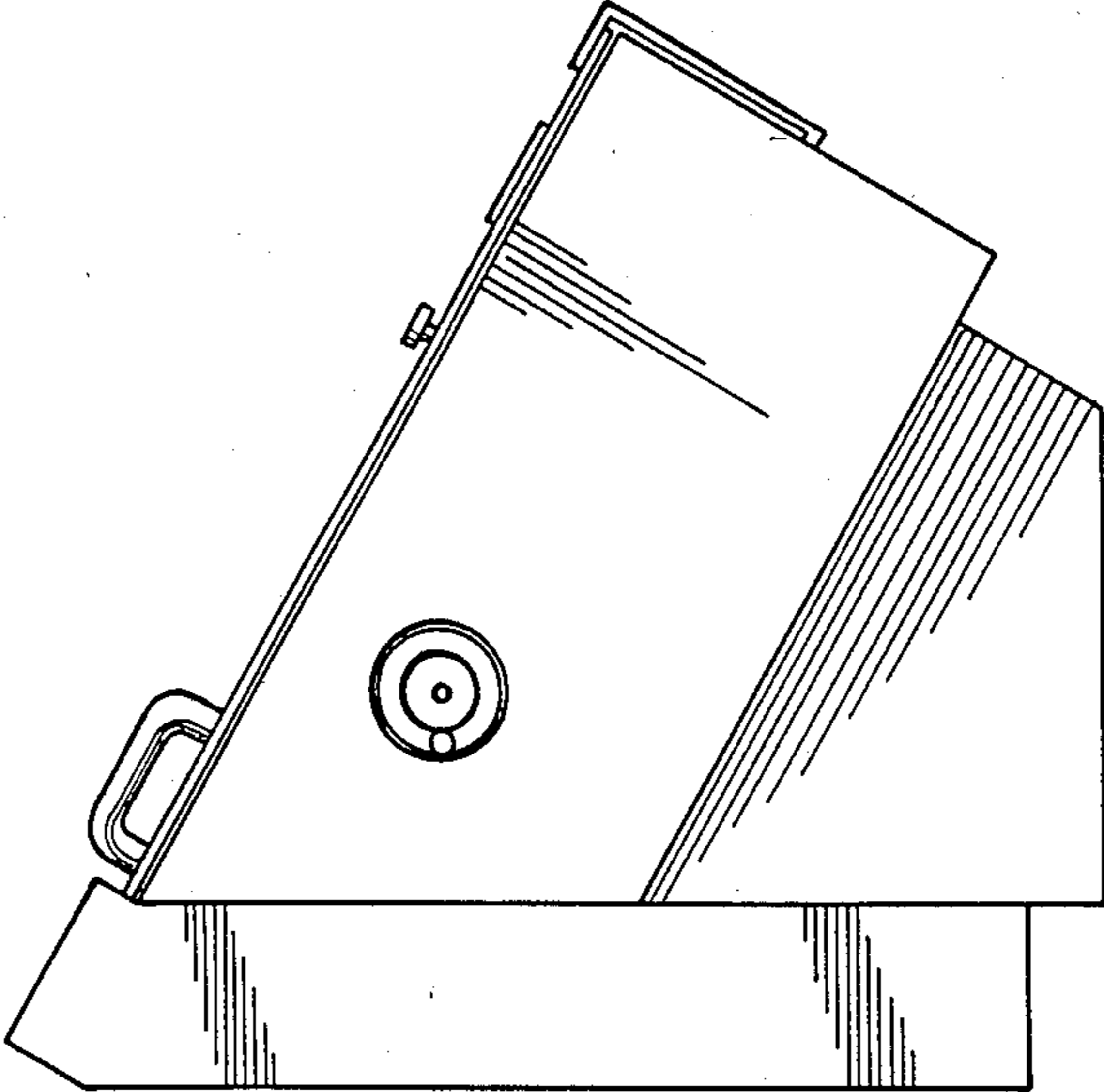


FIG. 3

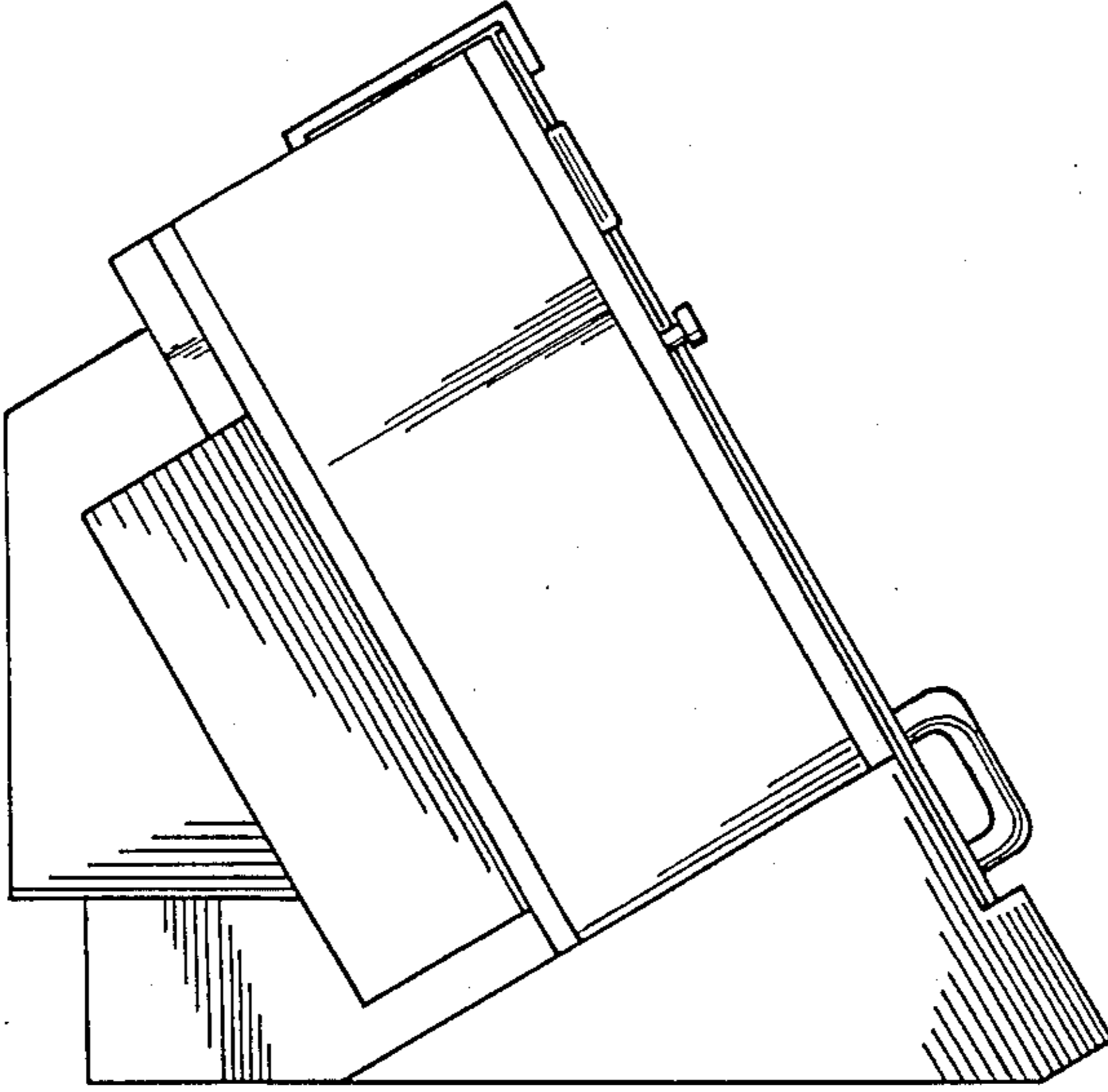


FIG. 4

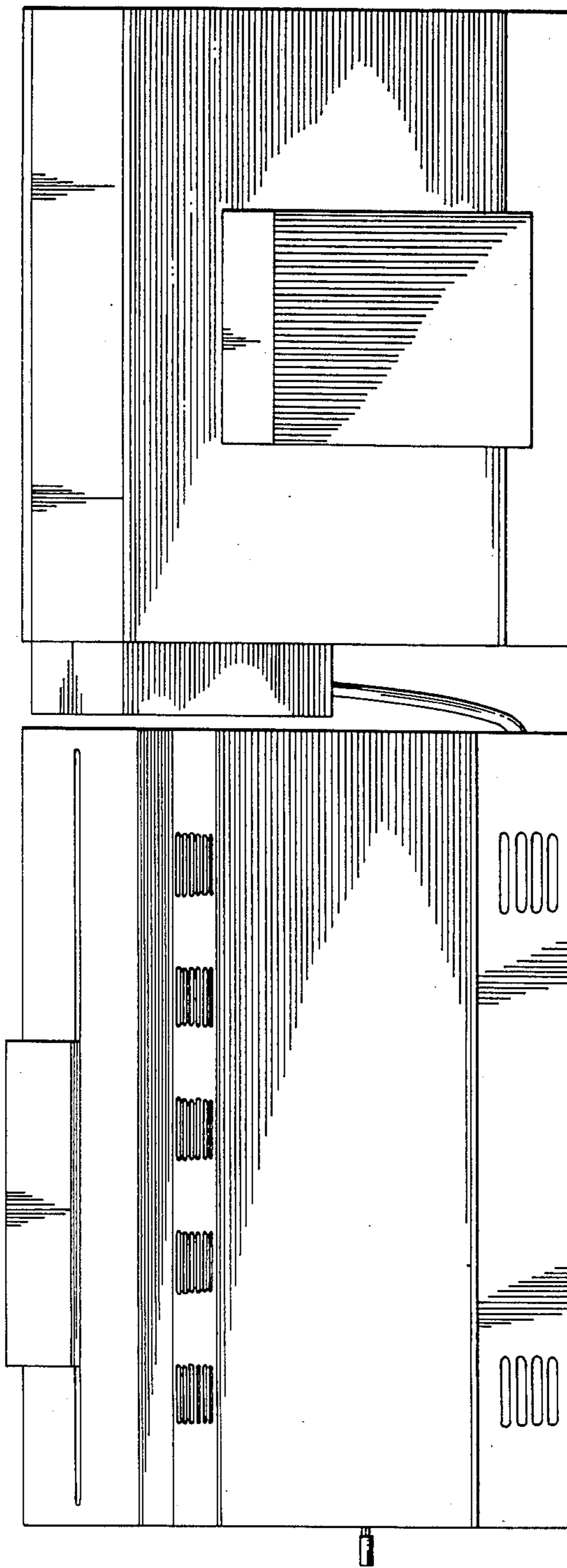


FIG. 5

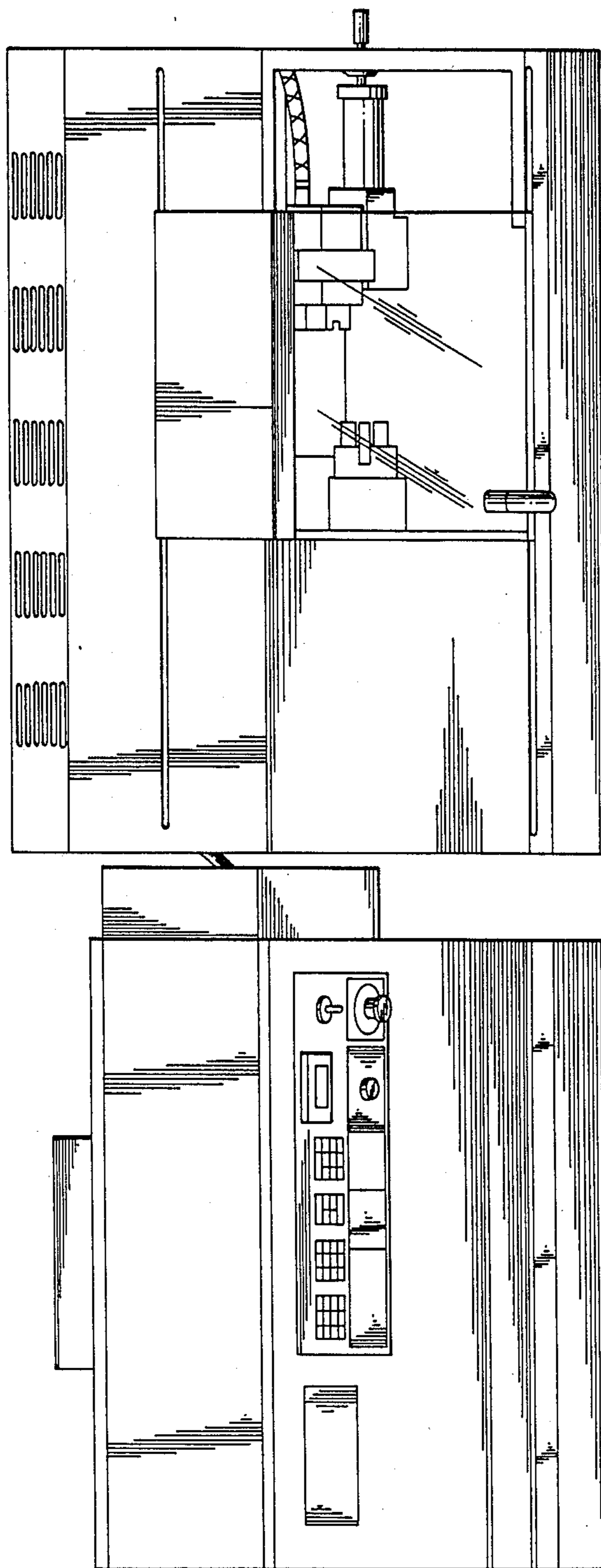


FIG. 6