

[54] BATTERY DISCONNECT SWITCH

[75] Inventors: Wesley H. Constable, Becker; Roger W. Jensen; Steven E. Wirth, both of Bloomington, all of Minn.

[73] Assignee: J. F. Wirth and Sons, Inc., Minneapolis, Minn.

[**] Term: 14 Years

[21] Appl. No.: 803,939

[22] Filed: Nov. 7, 1985

[52] U.S. Cl. D13/32

[58] Field of Search D13/10, 32, 40-41, D13/99; 439/756, 758, 759, 762, 764, 766, 801, 803; 200/293, 294, 162; 320/2, 4, 5, 49, 54; 429/178-179

[56] References Cited

U.S. PATENT DOCUMENTS

1,080,563 12/1913 Knoblock 200/162

3,166,650	1/1965	Heidrich	200/162
3,230,499	1/1966	Haegert	339/230
4,591,675	5/1986	Sessum	200/162

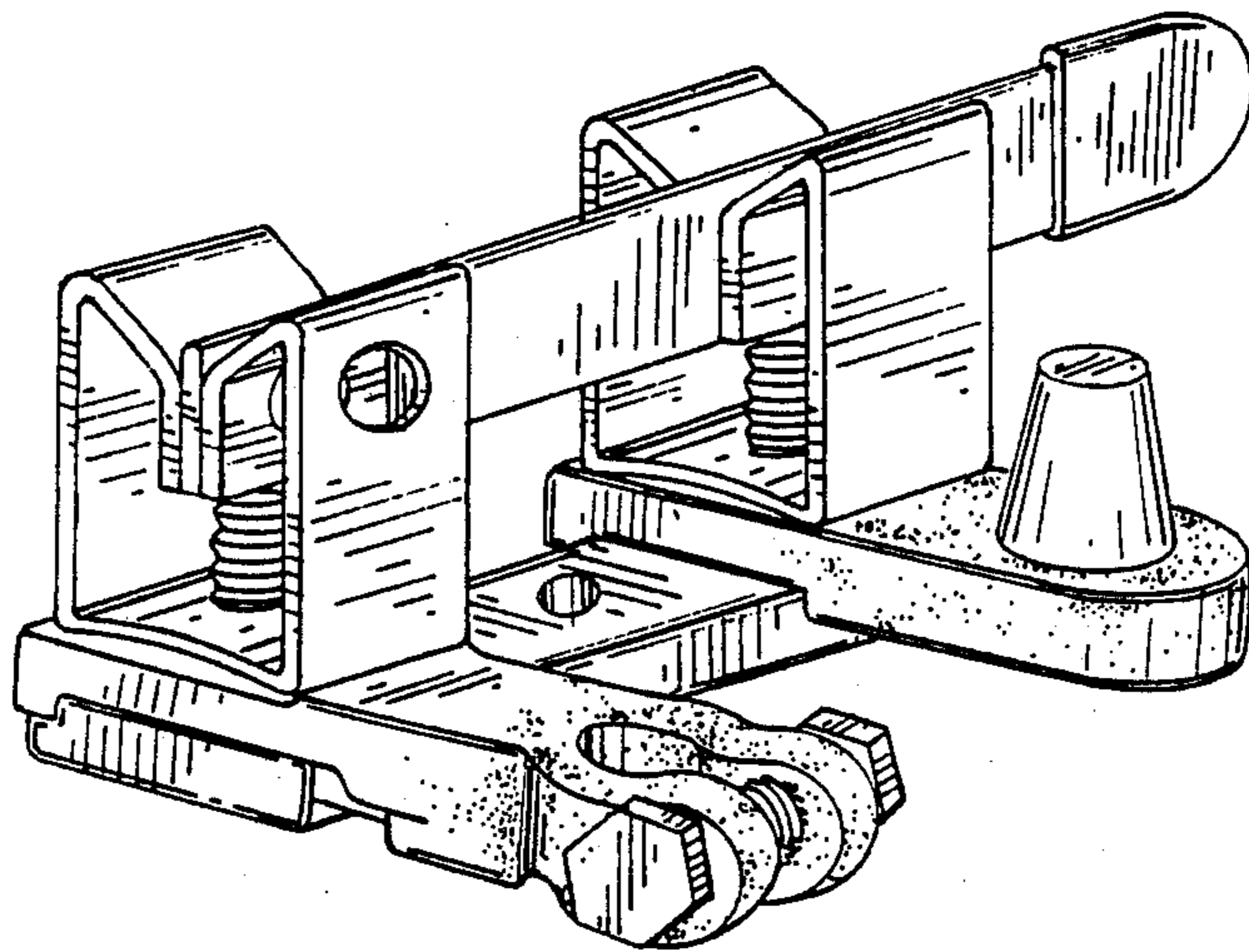
Primary Examiner—Wallace R. Burke
Assistant Examiner—Ruth Takemoto
Attorney, Agent, or Firm—Roger W. Jensen

[57] CLAIM

The ornamental design for a battery disconnect switch, as shown and described.

DESCRIPTION

FIG. 1 is a top plan view of a battery disconnect switch showing our new design;
FIG. 2 is an end elevational view thereof;
FIG. 3 is an end elevational view thereof, of the opposite side of FIG. 2;
FIG. 4 is a rear elevational view thereof;
FIG. 5 is a front elevational view thereof;
FIG. 6 is a bottom plan view thereof; and,
FIG. 7 is a top perspective view thereof.



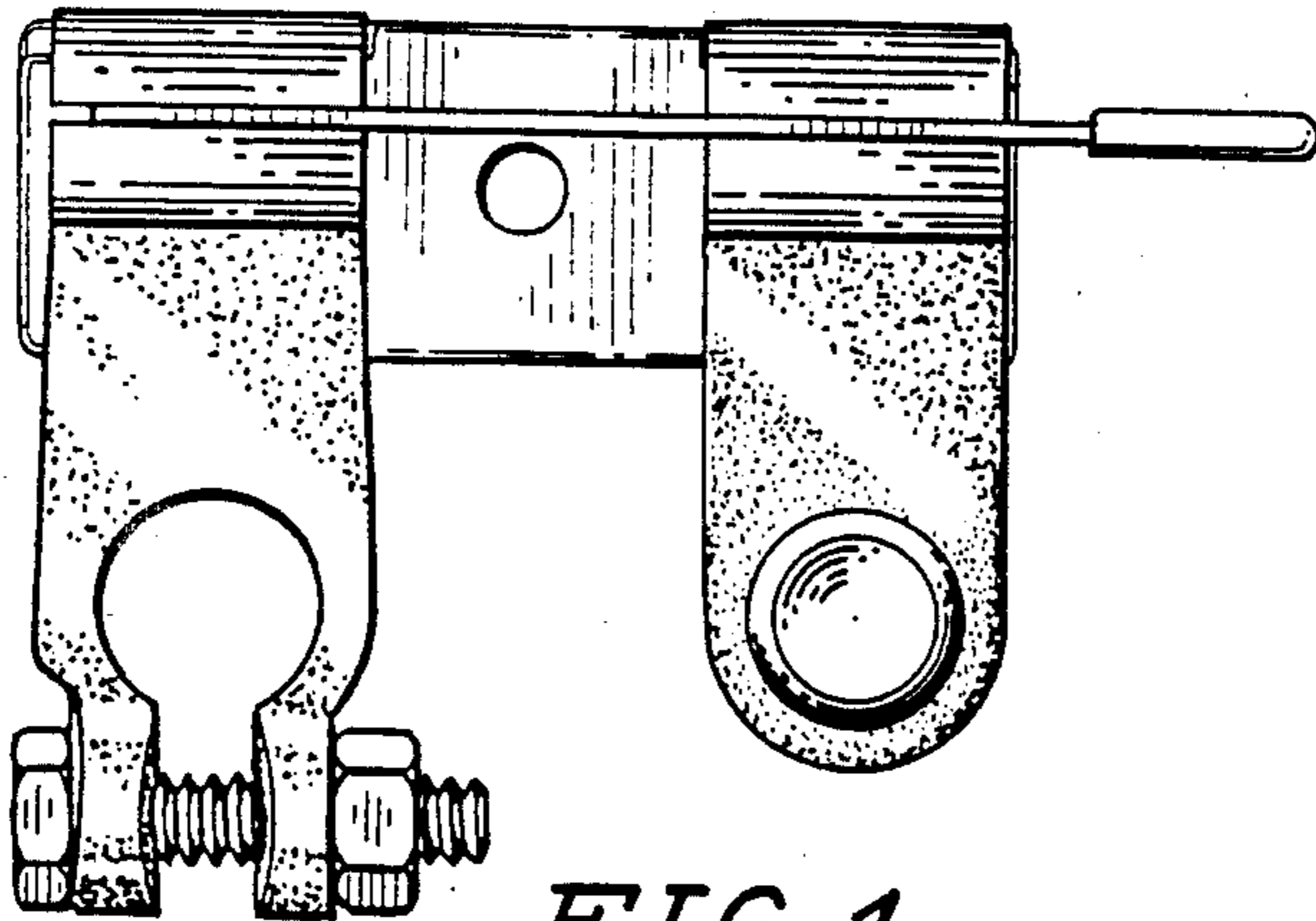


FIG. 1

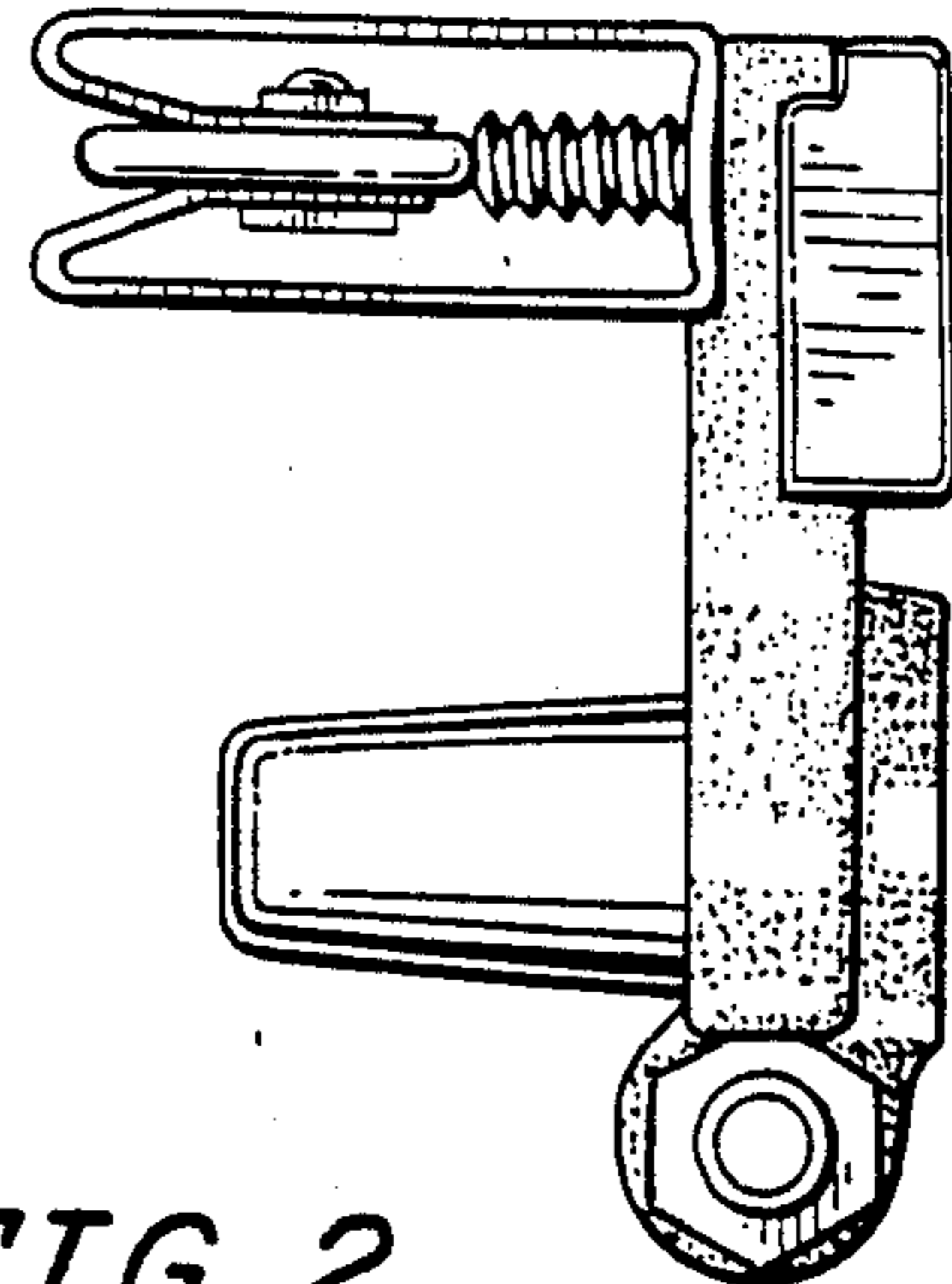


FIG. 2

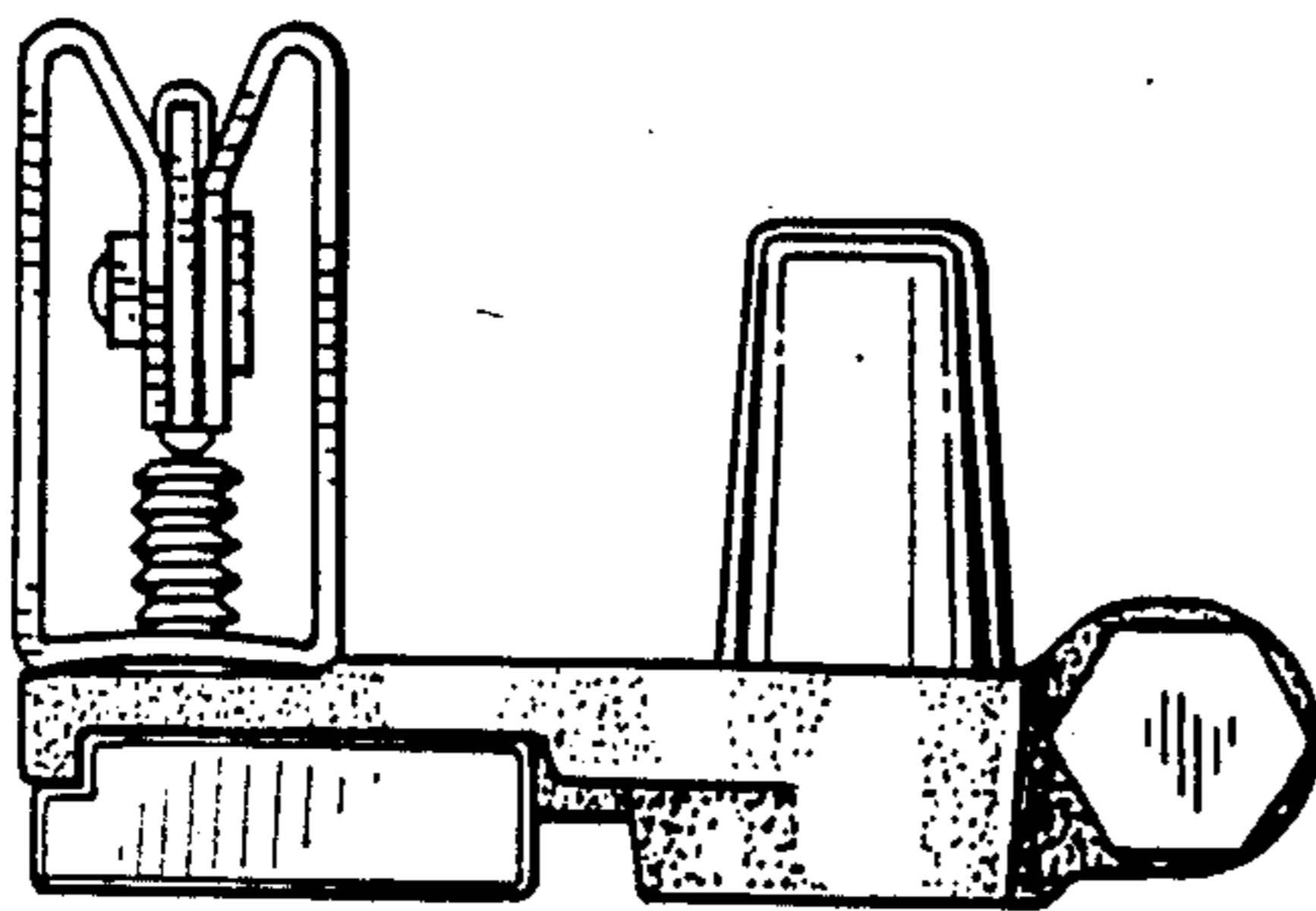


FIG. 3

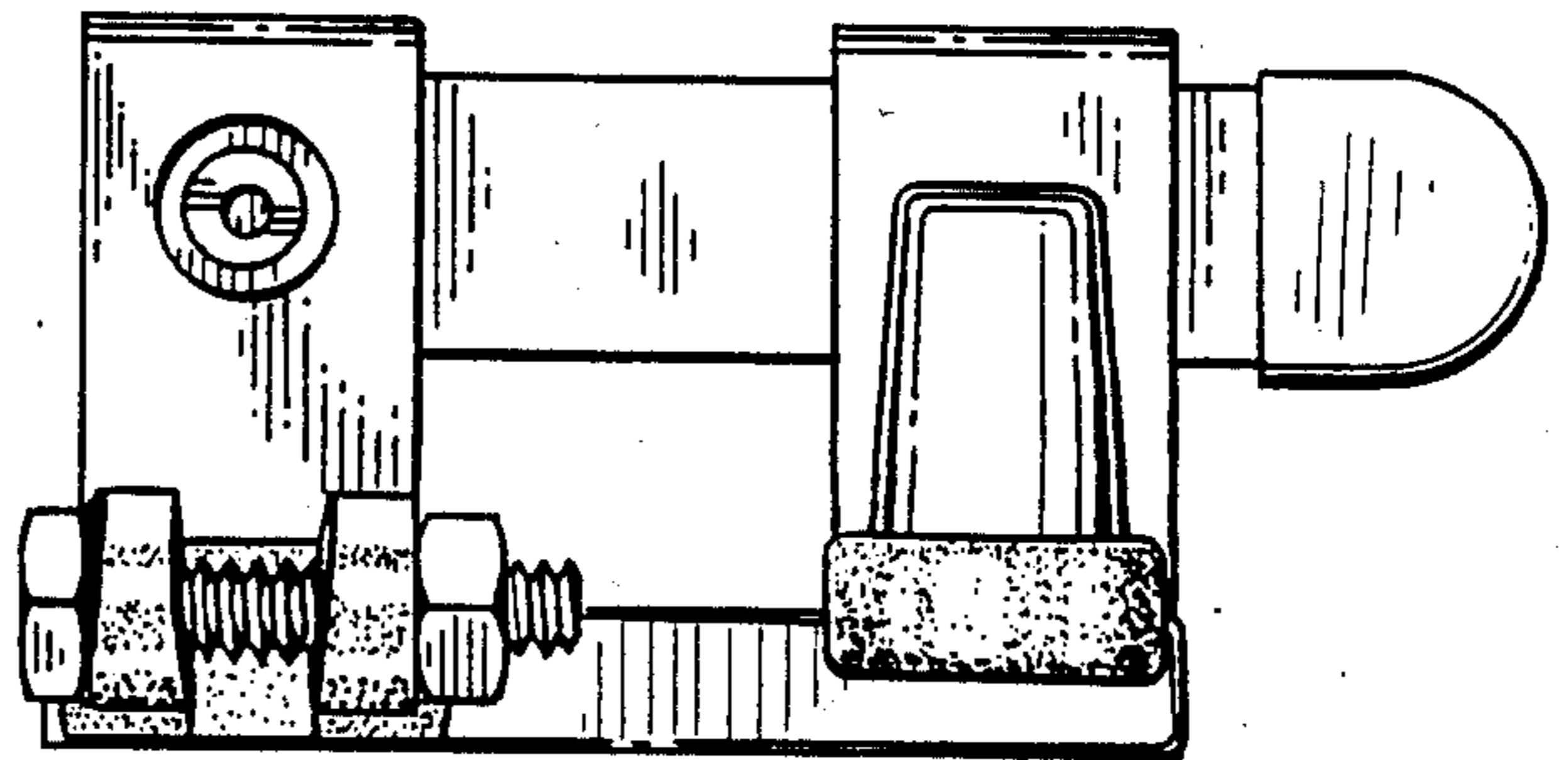


FIG. 5

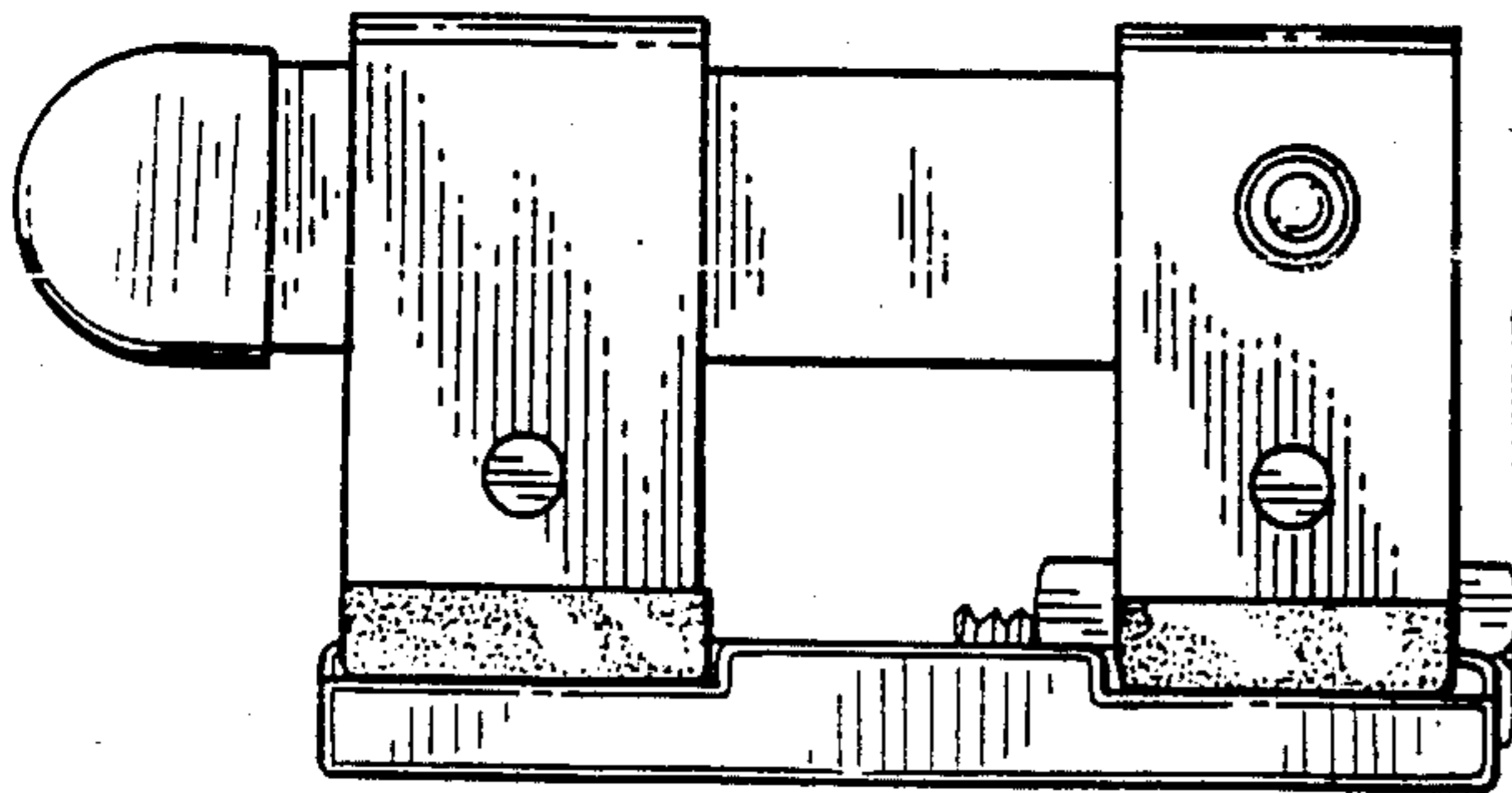


FIG. 4

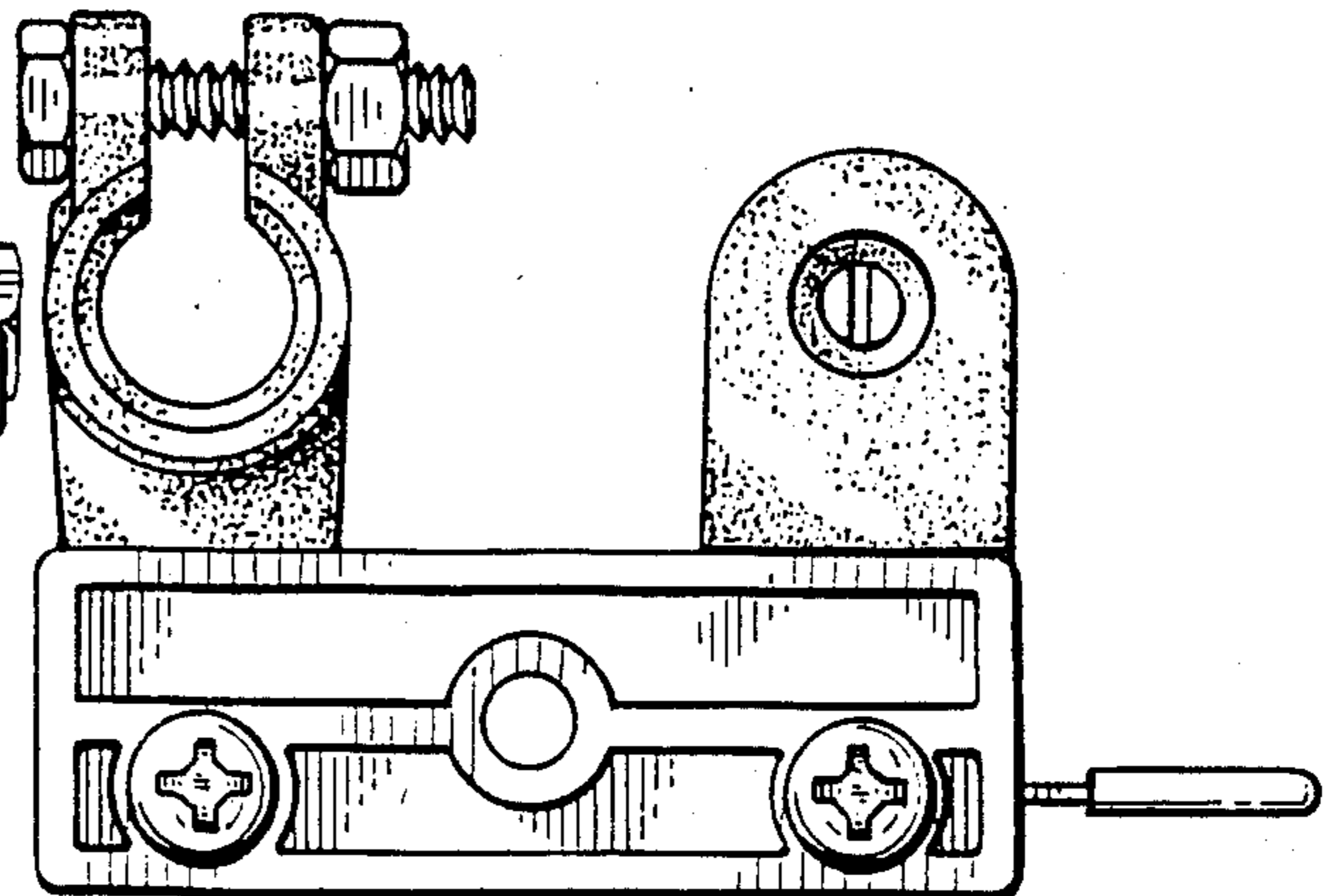


FIG. 6

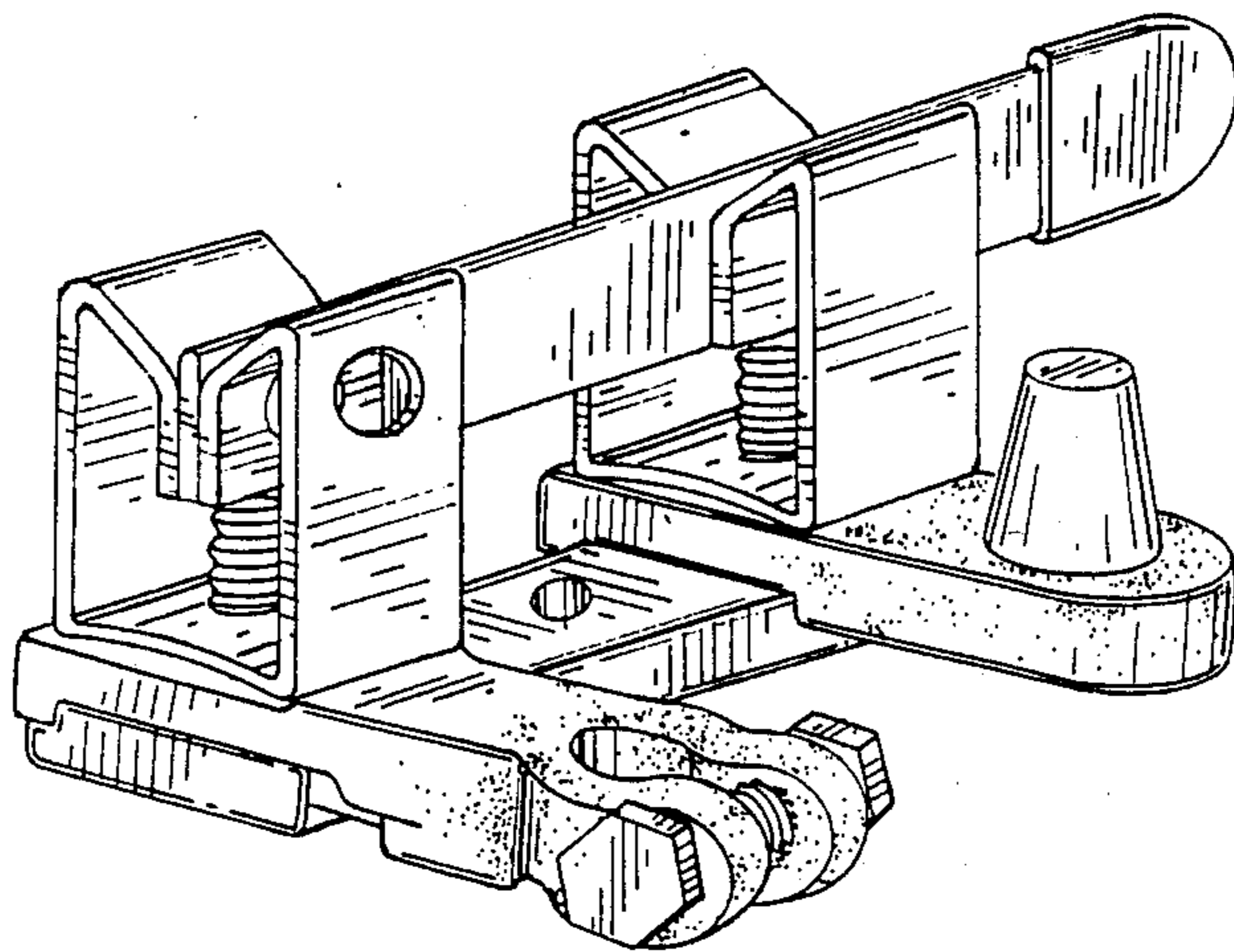


FIG. 7