

[54] COLLAPSIBLE VEHICULAR TENT

[76] Inventors: Herbert A. Wolcott; Carol A. Feldman, both of 103 N. Bond, Dallas, Tex. 75211

[**] Term: 14 Years

[21] Appl. No.: 936,021

[22] Filed: Nov. 28, 1986

[52] U.S. Cl. D12/156

[58] Field of Search D12/156; D21/253; 296/10, 24 R, 26, 27, 99 R, 100, 156, 164; 135/88

[56] References Cited

U.S. PATENT DOCUMENTS

D. 205,749	9/1966	Moss	D21/253
D. 230,261	2/1974	Woodward	D12/156
D. 291,074	7/1987	Ravana	D12/156
3,333,594	8/1967	Moss	135/88

Primary Examiner—James M. Gandy

Attorney, Agent, or Firm—Stanley R. Moore; Thomas L. Crisman; Thomas L. Cantrell

[57] CLAIM

The ornamental design for a collapsible vehicular tent, as shown and described.

DESCRIPTION

FIG. 1 is a perspective view of a collapsible vehicular tent showing our new design;

FIG. 2 is a left side elevation view thereof the right side being a mirror image of that shown;

FIG. 3 is a rear elevation view thereof;

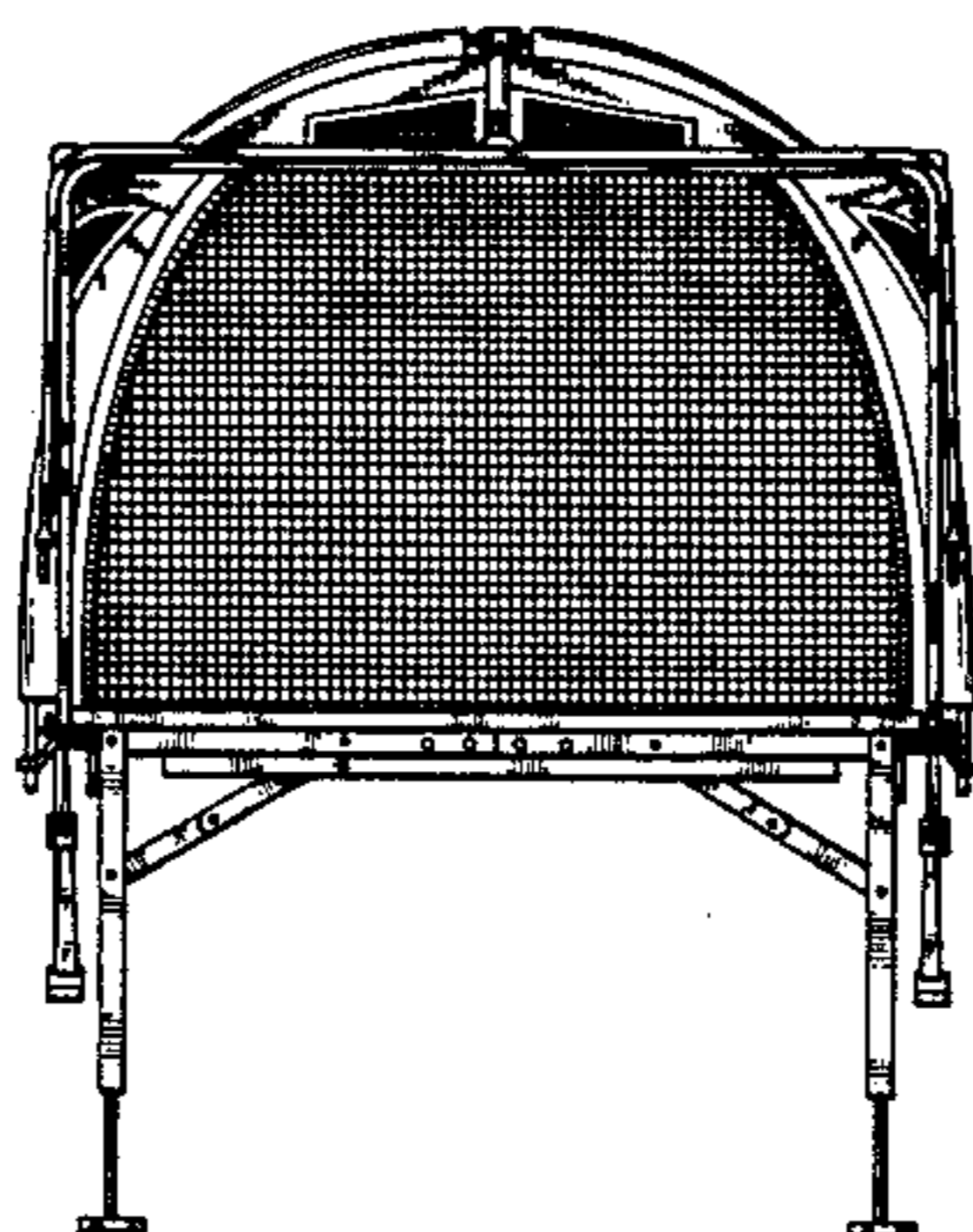
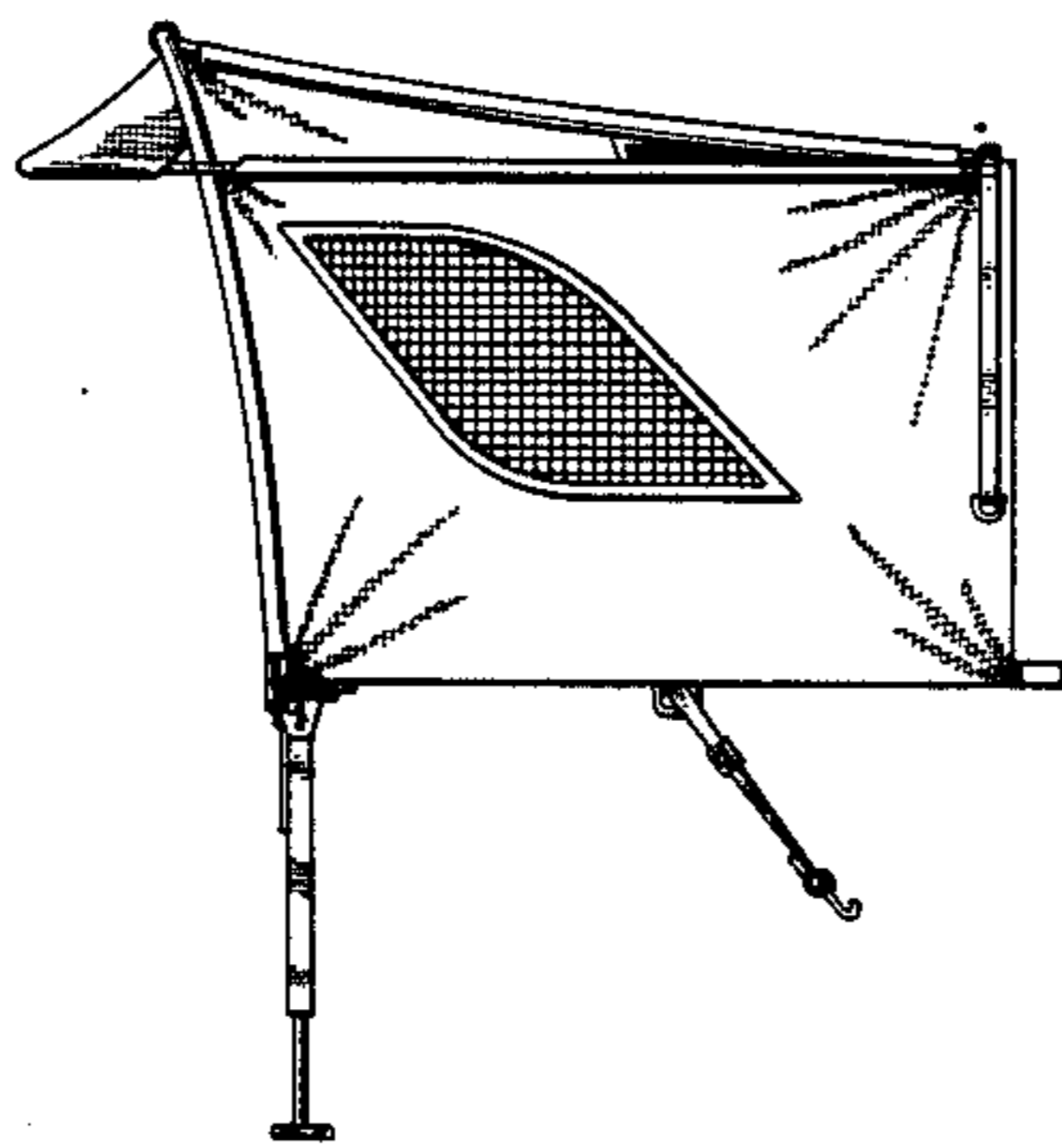
FIG. 4 is a front elevation view thereof;

FIG. 5 is a top plan view thereof;

FIG. 6 is a bottom plan view thereof; and

FIG. 7 is a perspective view of a collapsible vehicular tent showing a second embodiment of our new design the sole difference being in the addition of a rain cover it being understood that the opposite side of the rain cover is a mirror image of that shown.

The broken line showing of a fragmentary portion of a vehicle in FIGS. 1 and 7 of the drawing is for illustrative purposes only and forms no part of the claimed design.



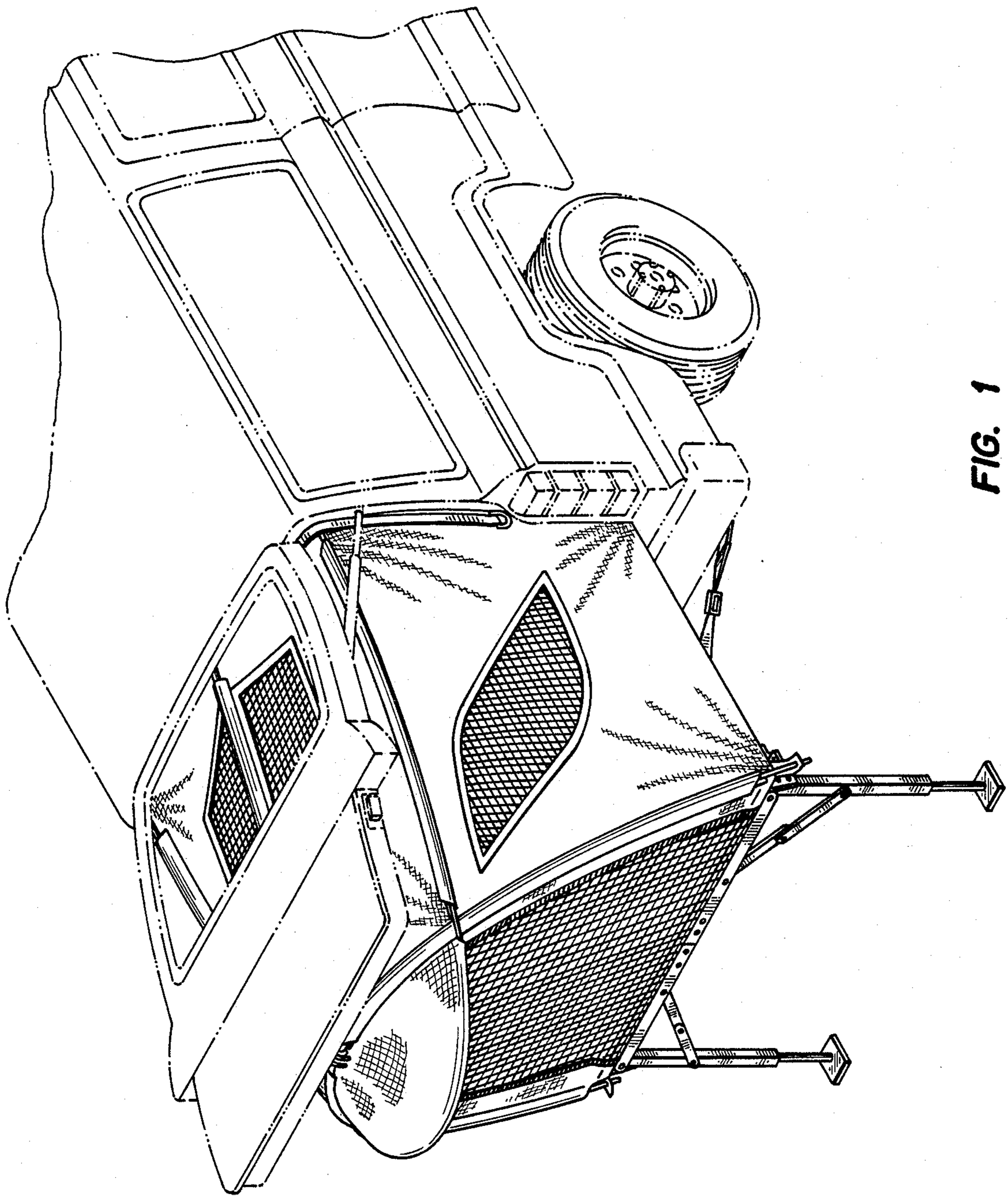


FIG. 1

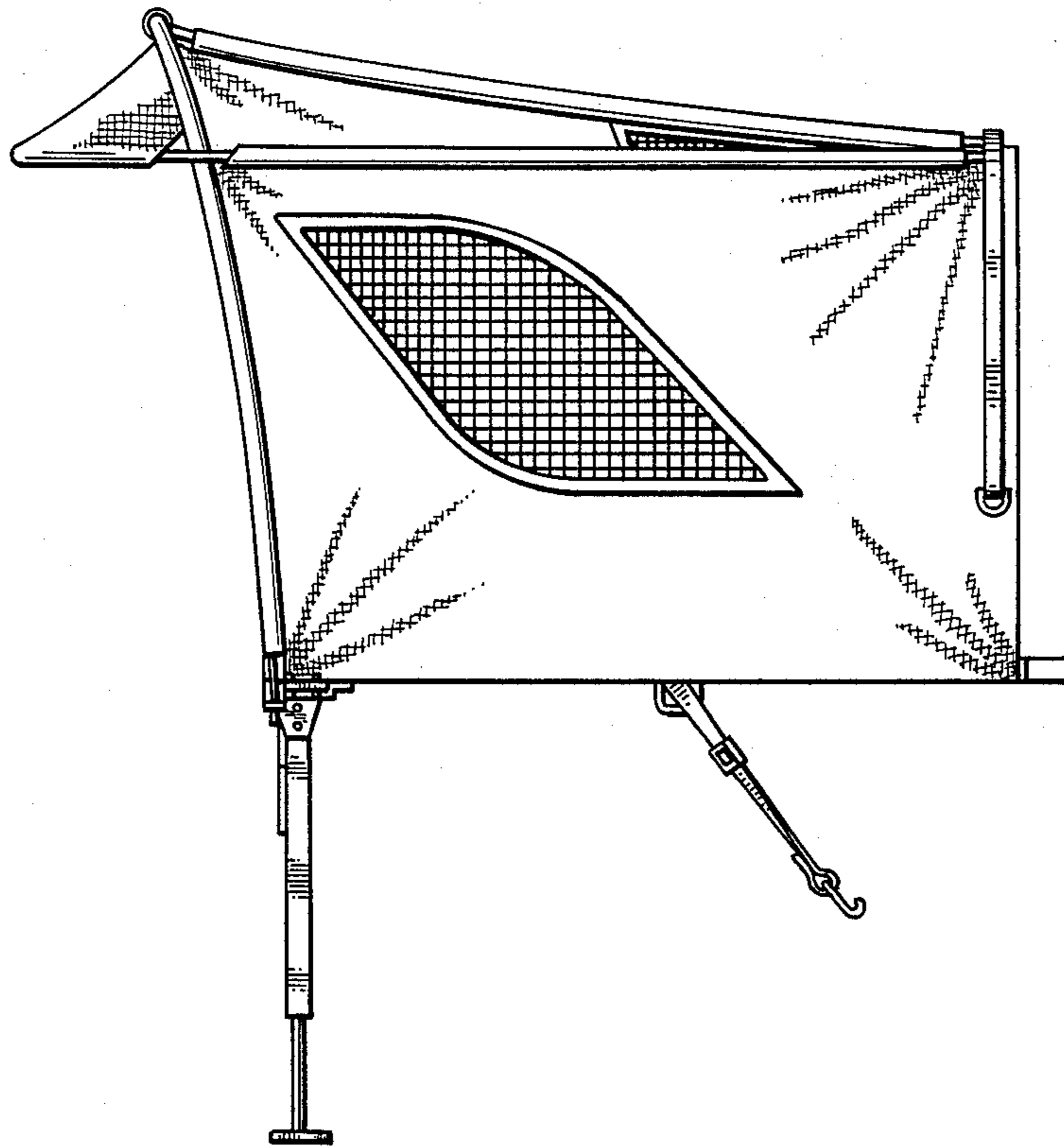


FIG. 2

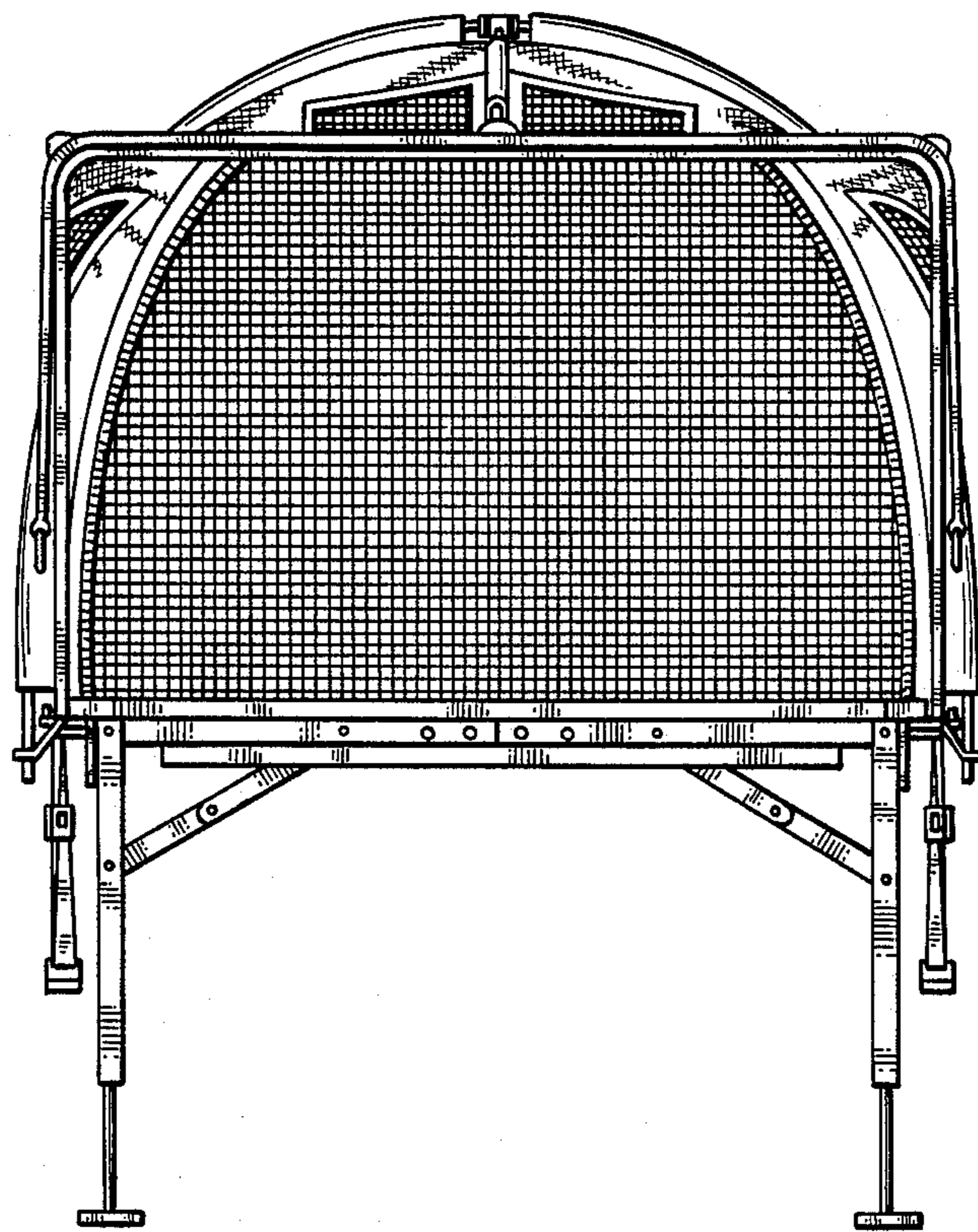


FIG. 3

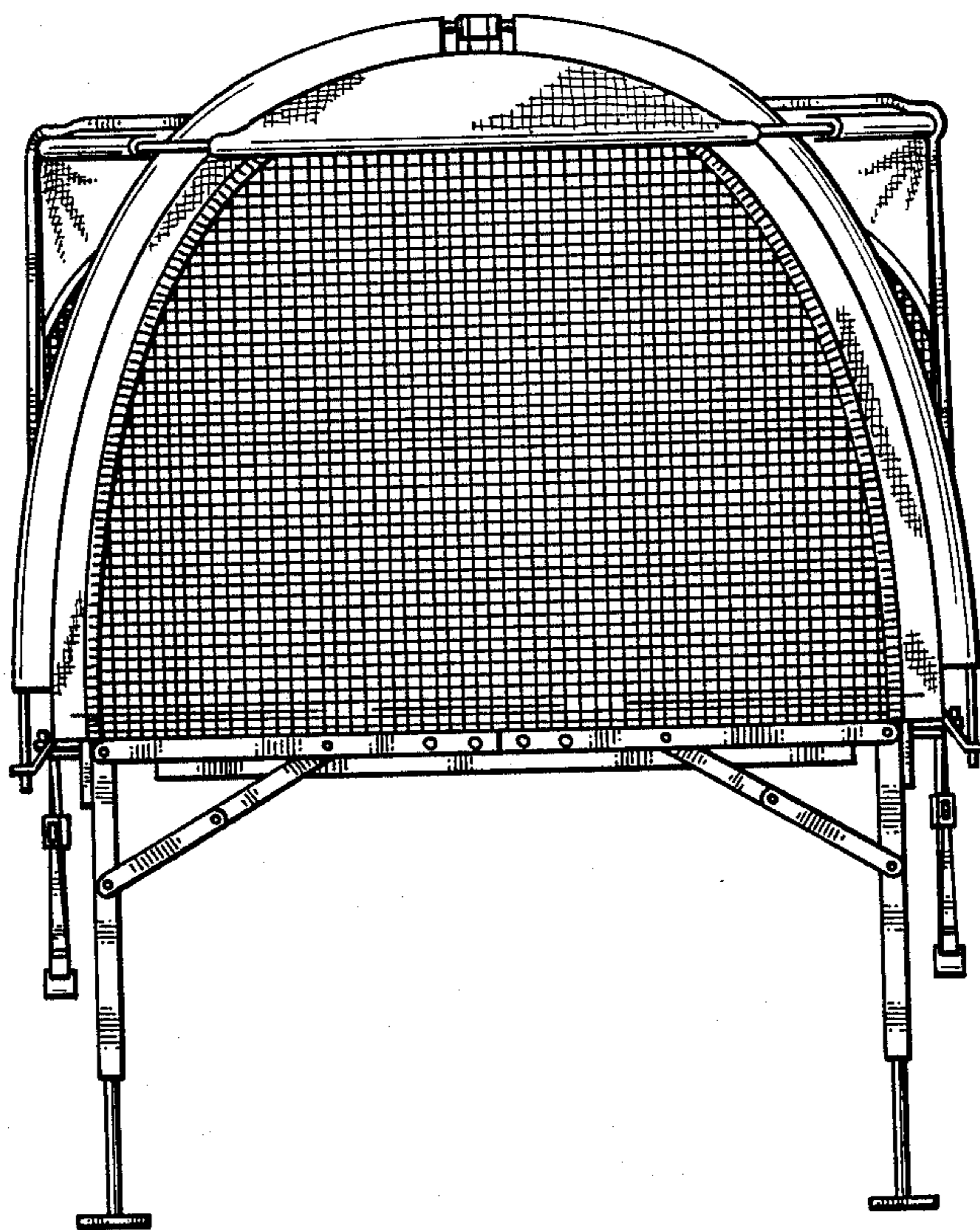


FIG. 4

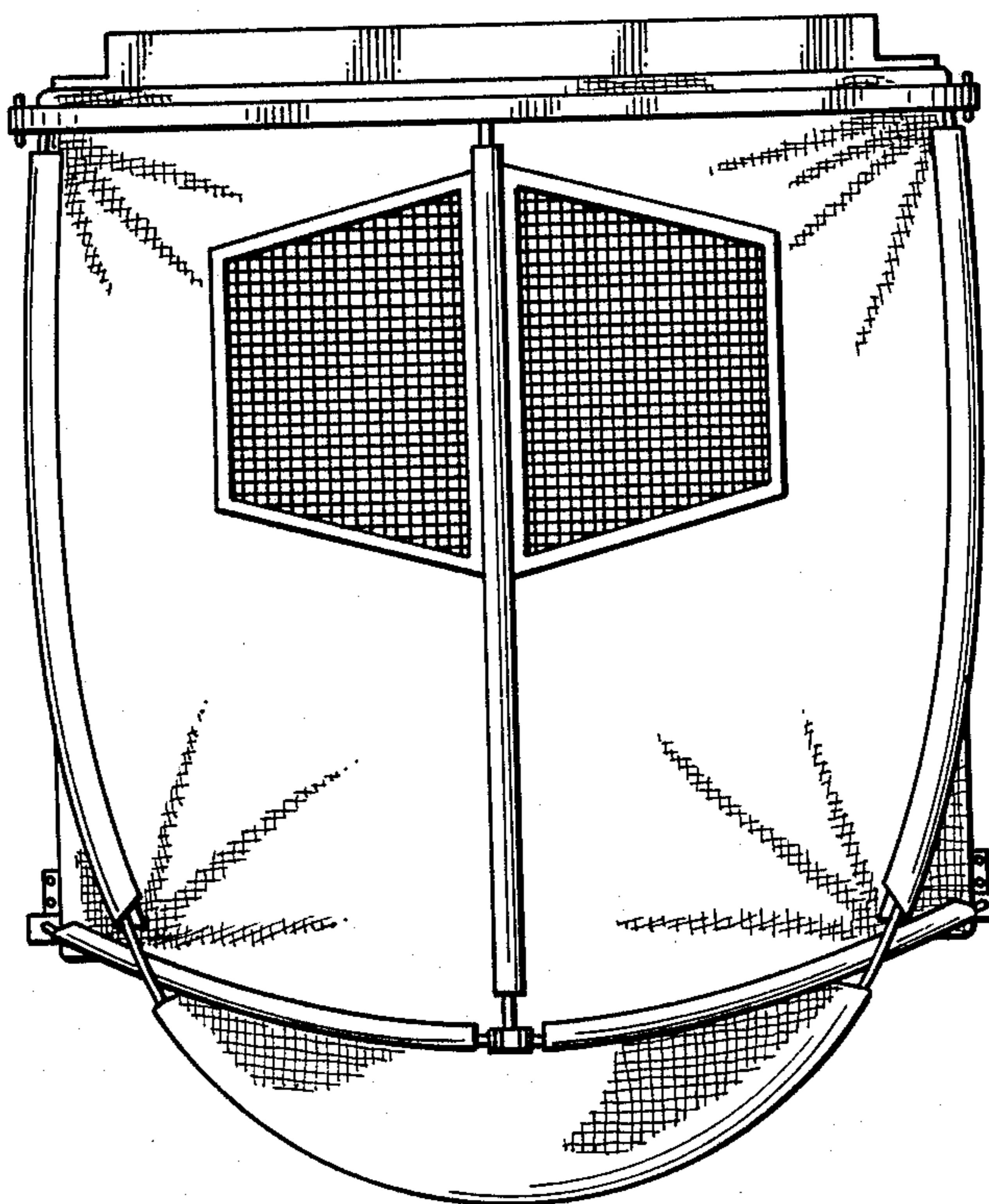


FIG. 5

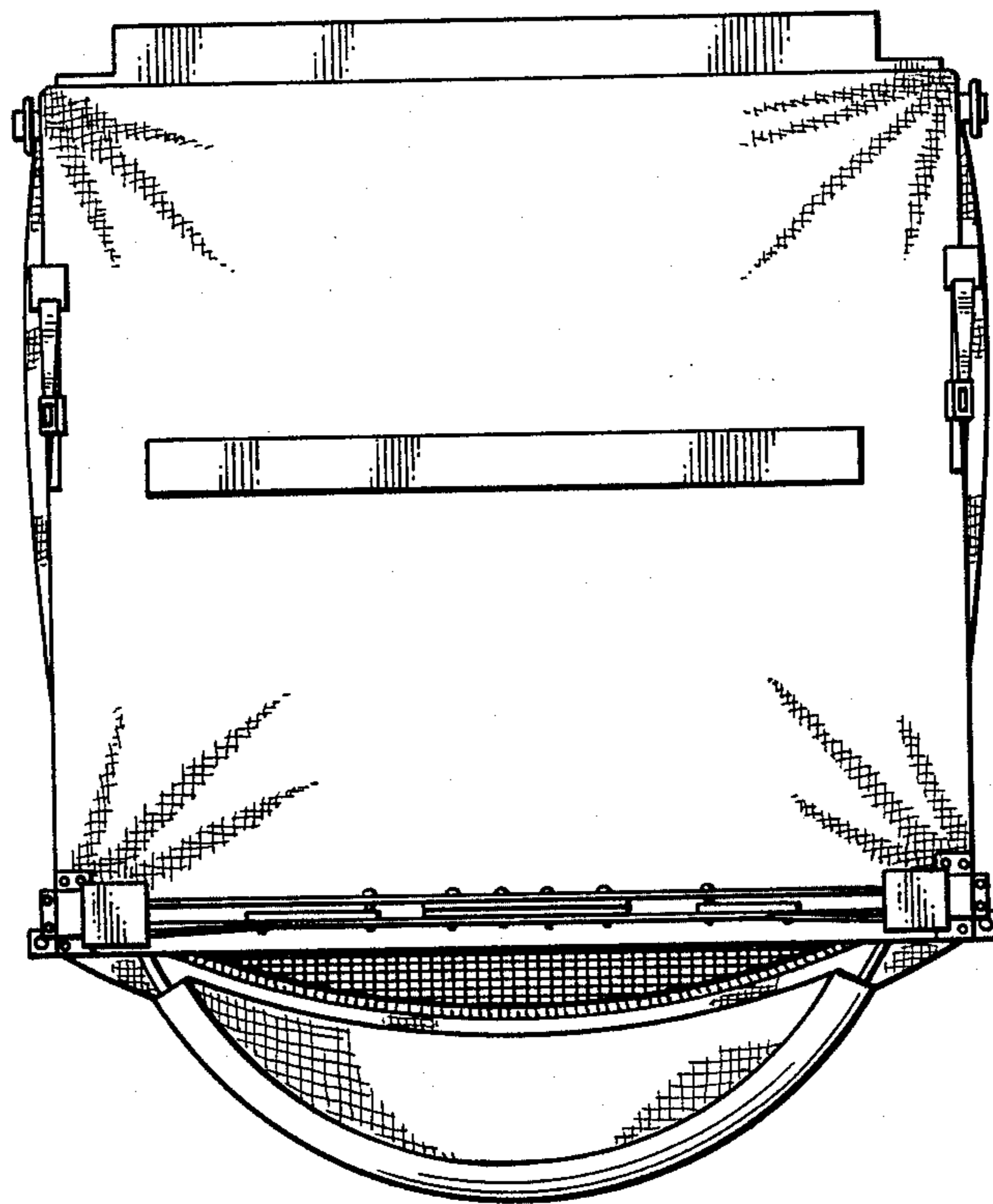


FIG. 6

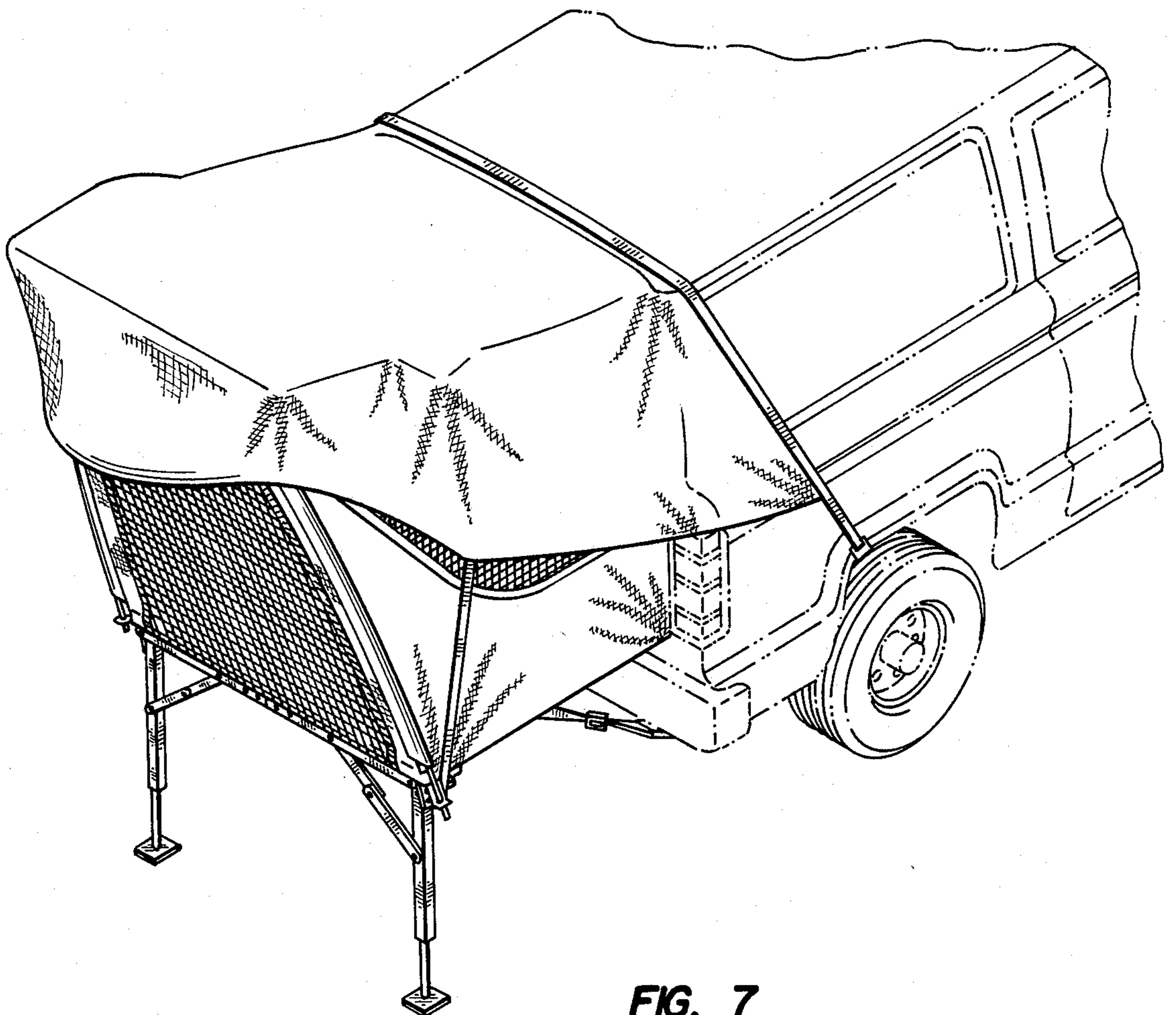


FIG. 7