

# United States Patent [19]

Hoshino et al.

[11] Patent Number: Des. 299,808

[45] Date of Patent: \*\* Feb. 14, 1989

[54] ELECTRIC DRILL

[75] Inventors: Kiyoshi Hoshino, Tokyo; Shumi Akazawa, Fuchu, both of Japan

[73] Assignee: Ryobi Limited, Tokyo, Japan

[\*\*] Term: 14 Years

[21] Appl. No.: 160,846

[22] Filed: Feb. 26, 1988

### Related U.S. Application Data

[62] Division of Ser. No. 750,867, Jul. 1, 1985, Pat. No. Des. 296,413.

### [30] Foreign Application Priority Data

Jan. 24, 1985 [JP] Japan ..... 60-2290

Jan. 24, 1985 [JP] Japan ..... 60-2291

[52] U.S. Cl. .... D8/68

[58] Field of Search ..... D8/61, 64, 68; 81/54, 81/57.11, 57.14, 429; 408/124, 125, 127; 173/163, 170; 310/50

### [56] References Cited

#### U.S. PATENT DOCUMENTS

D. 243,652 3/1977 Zurwelle et al. .... D8/68

D. 279,957 8/1985 Akazawa et al. .... D8/61

D. 295,141 4/1988 Hoshino et al. .... D8/68

D. 296,413 6/1988 Hoshino et al. .... D8/68

#### OTHER PUBLICATIONS

Black & Decker Industrial/Construction Division Catalog, p. 16, reversing "Scrudrill".

D.I.Y. Retailing, Aug. 1985, p. 334; Ryobi Advertisement Drill.

Popular Mechanics, Nov. 1979, p. 34 "Skil's Boar Gun".

*Primary Examiner*—Wallace R. Burke

*Assistant Examiner*—Clare E. Heflin

*Attorney, Agent, or Firm*—Frishauf, Holtz, Goodman & Woodward

### [57] CLAIM

The ornamental design for an electric drill, as shown.

#### DESCRIPTION

FIG. 1 is a top, rear and left side perspective view of an electric drill showing our new design; and

FIG. 2 is a bottom, front and right side perspective view thereof.

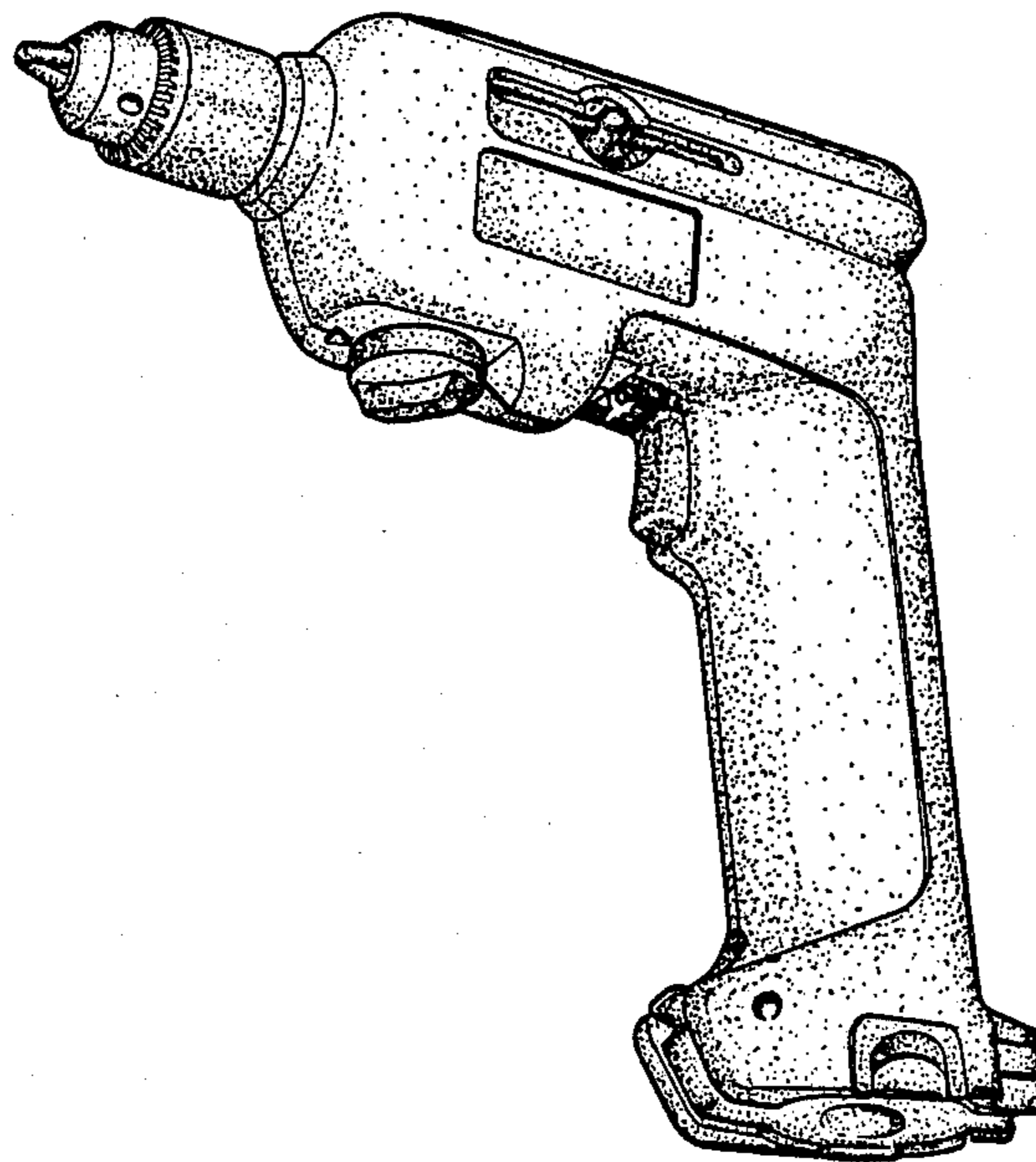


FIG. 1

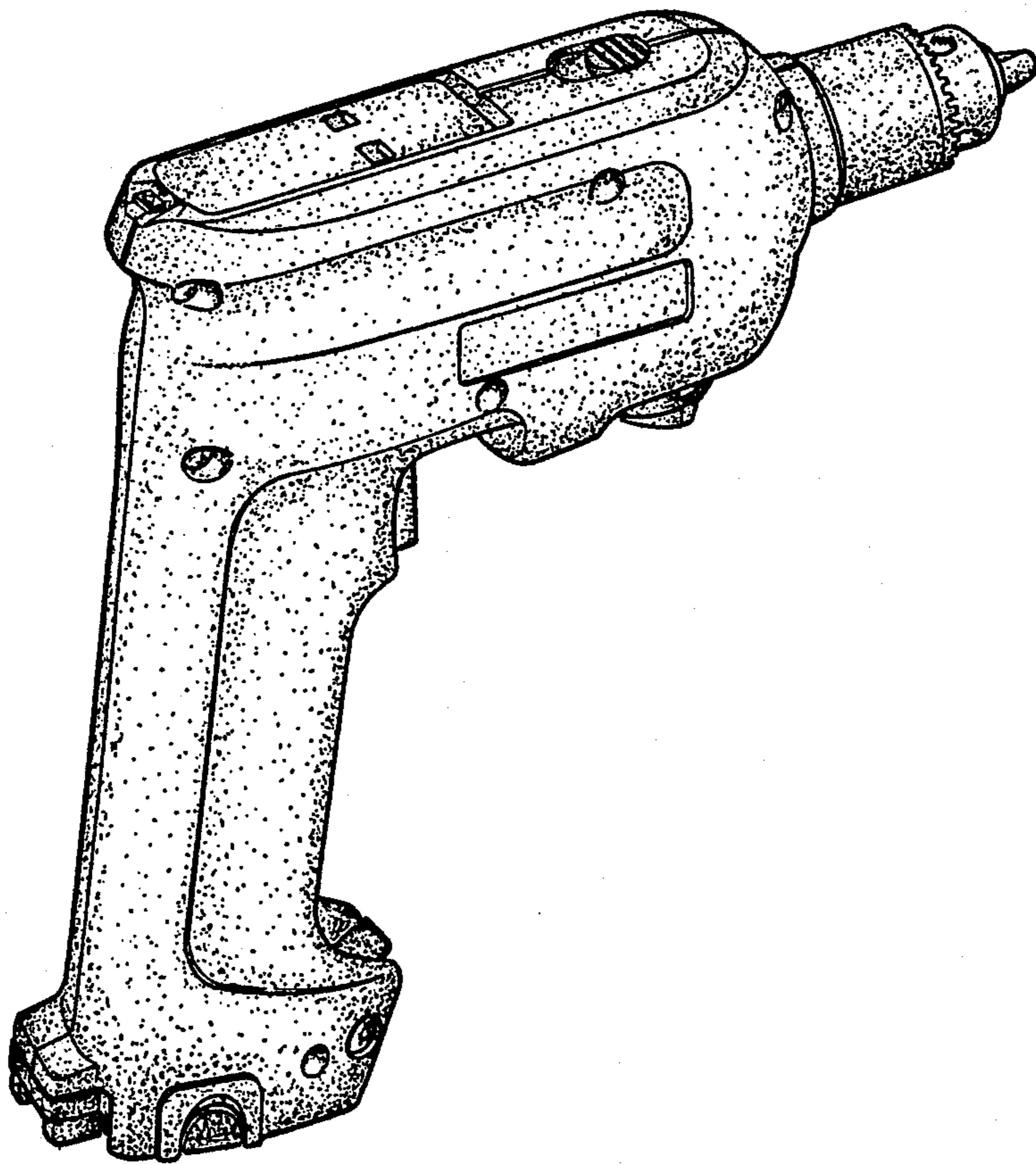


FIG. 2

