

[54] BEVERAGE CONTAINER HOLDER

[76] Inventor: Richard F. Normandin, 102 Emmons Blvd., Wyandotte, Mich. 48192

[**] Term: 14 Years

[21] Appl. No.: 851,671

[22] Filed: Apr. 14, 1986

[52] U.S. Cl. D7/70

[58] Field of Search D7/70; D9/455; 220/85 H; 248/311.2; 211/71

[56] References Cited

U.S. PATENT DOCUMENTS

- D. 226,623 4/1973 Shuford D7/70
- D. 255,635 7/1980 Valmassei D7/70

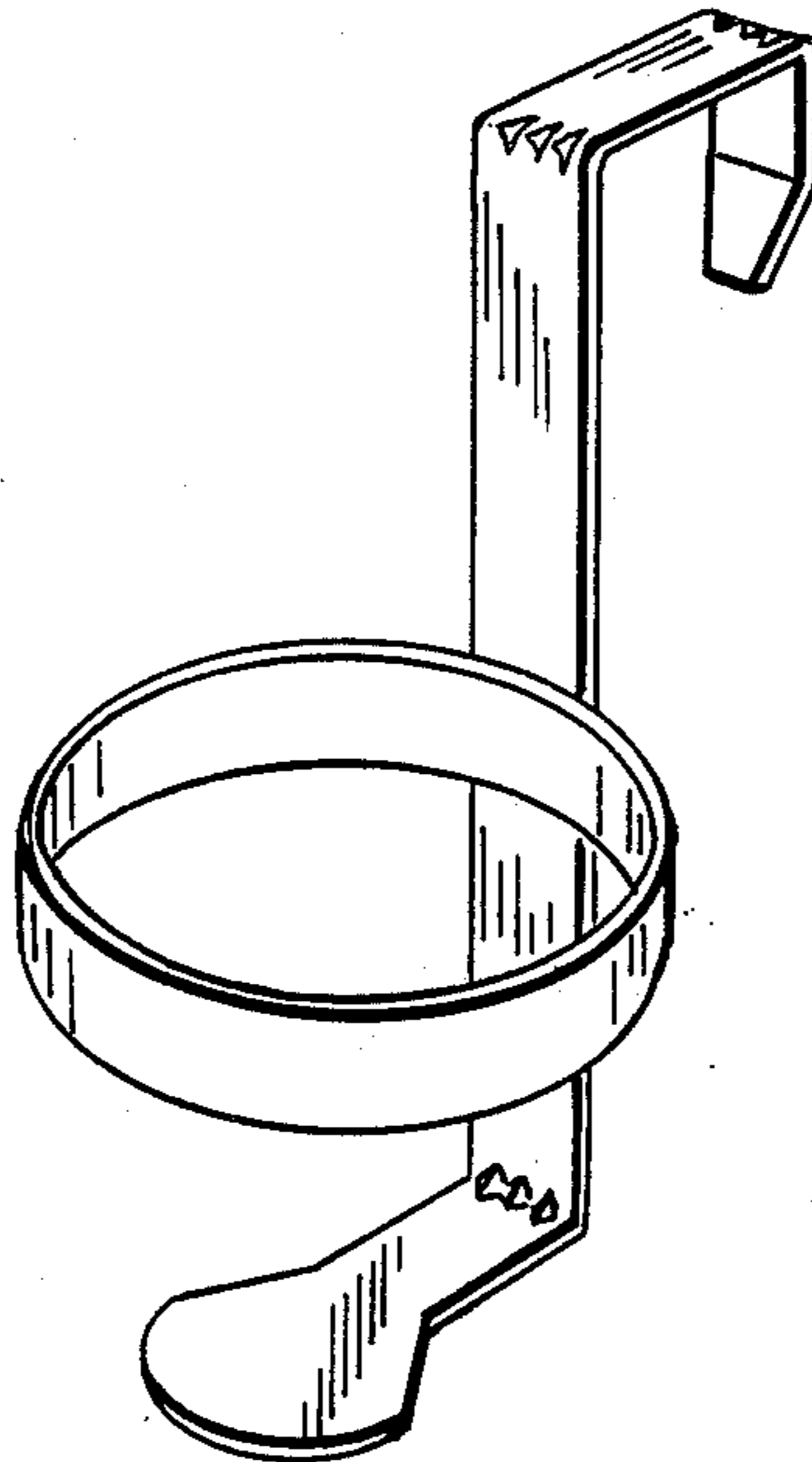
Primary Examiner—Bernard Ansher
Assistant Examiner—Terry Pfeffer
Attorney, Agent, or Firm—Charles W. Chandler

[57] CLAIM

The ornamental design for a beverage container holder, as shown and described.

DESCRIPTION

FIG. 1 is a perspective view of a beverage container holder showing my new design; FIG. 2 is a side elevational view thereof, the opposite sides being a mirror image thereof; FIG. 3 is a top plan view thereof; FIG. 4 is a left side elevational view thereof; FIG. 5 is a right side elevational view thereof; and FIG. 6 is a bottom plan view thereof.



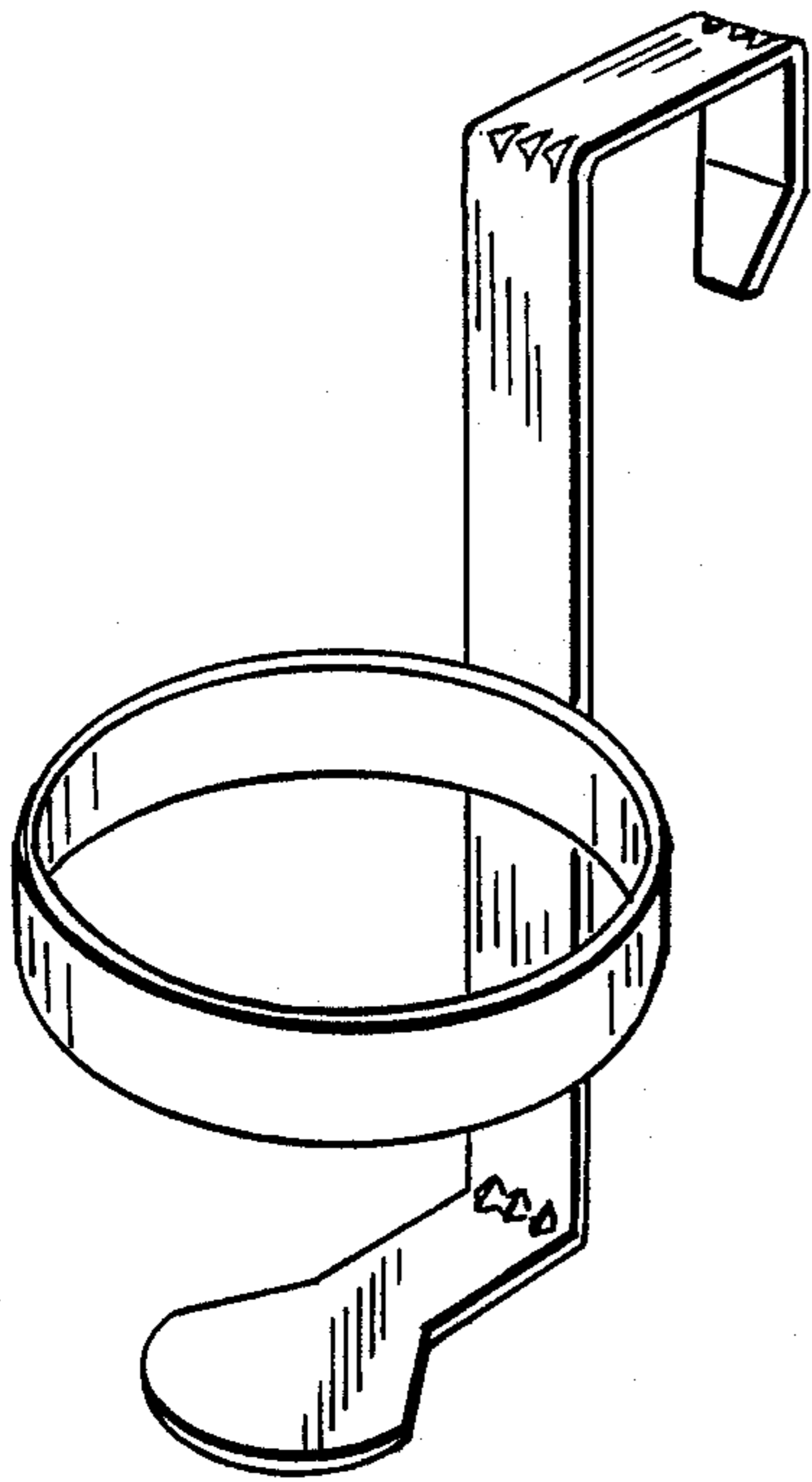


fig. 1

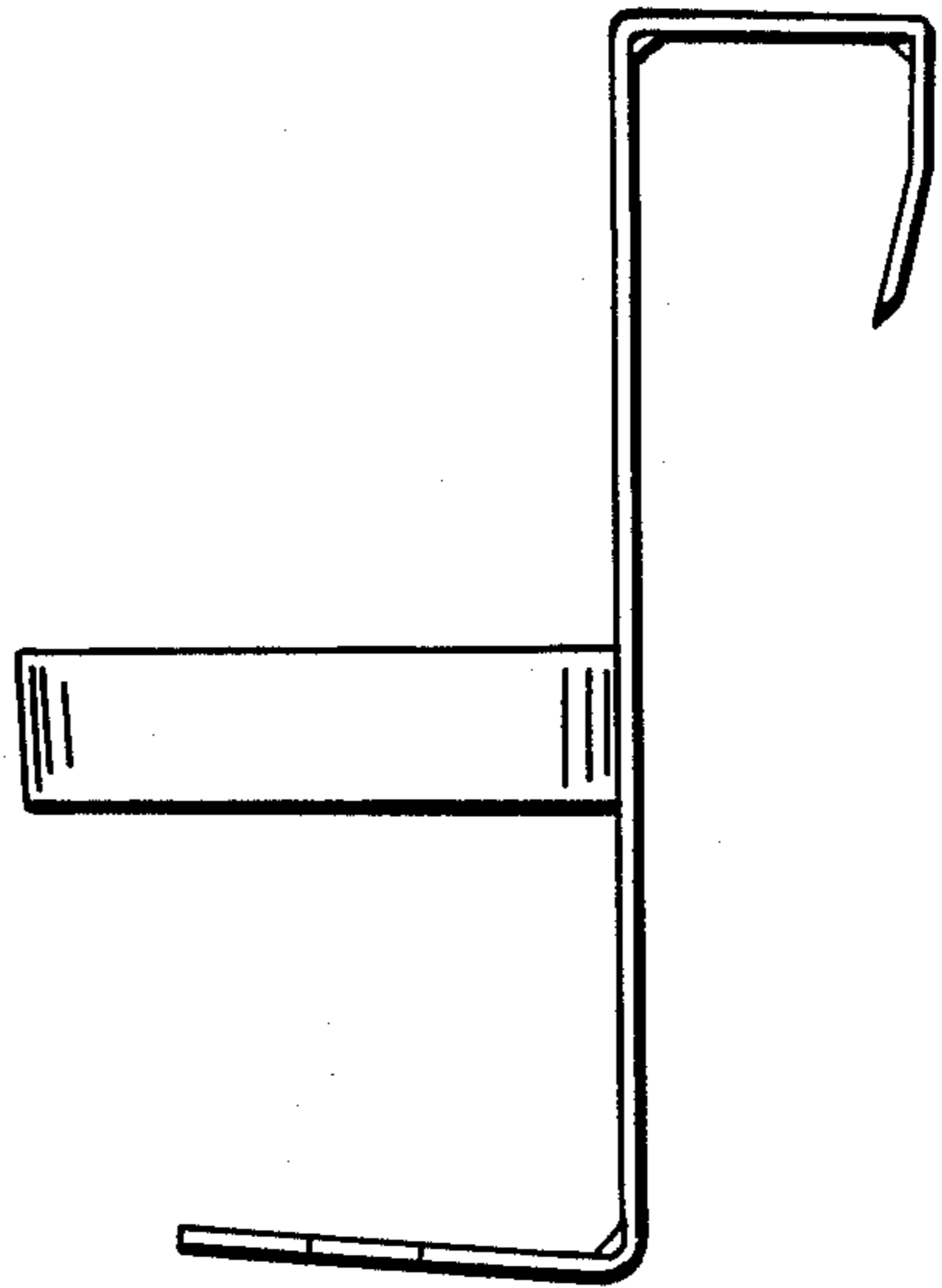


fig. 2

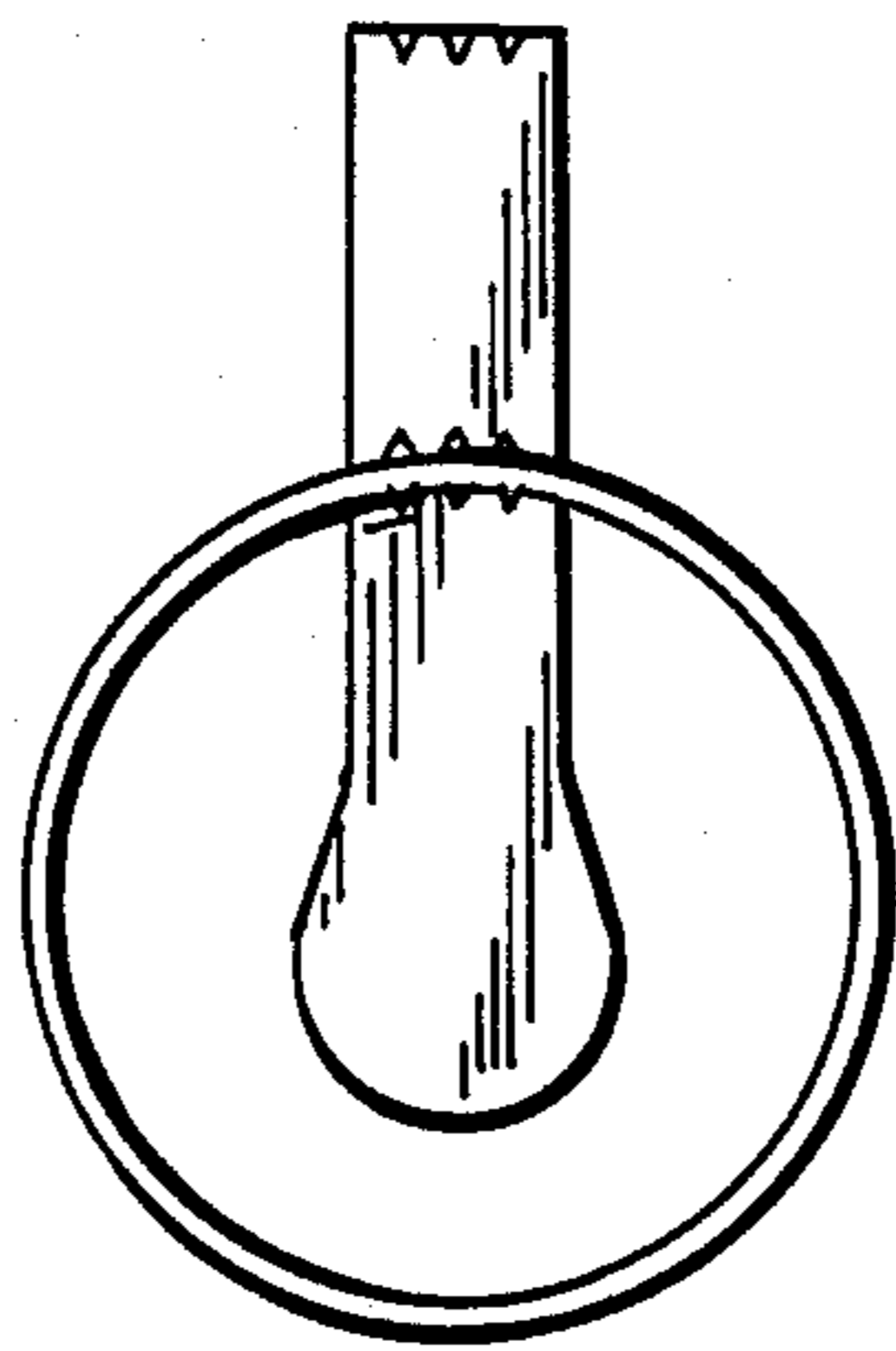


fig. 3

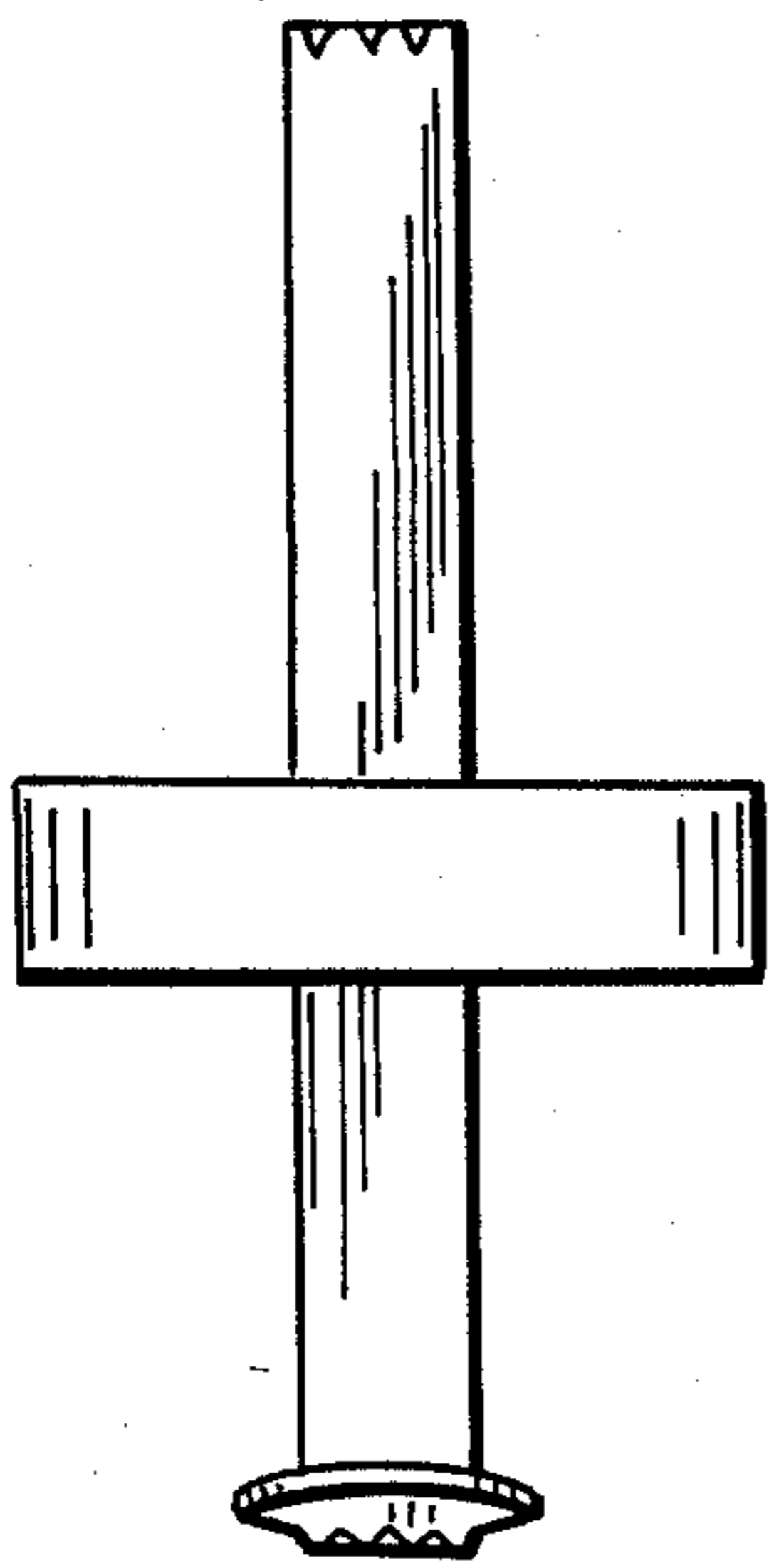


fig. 4

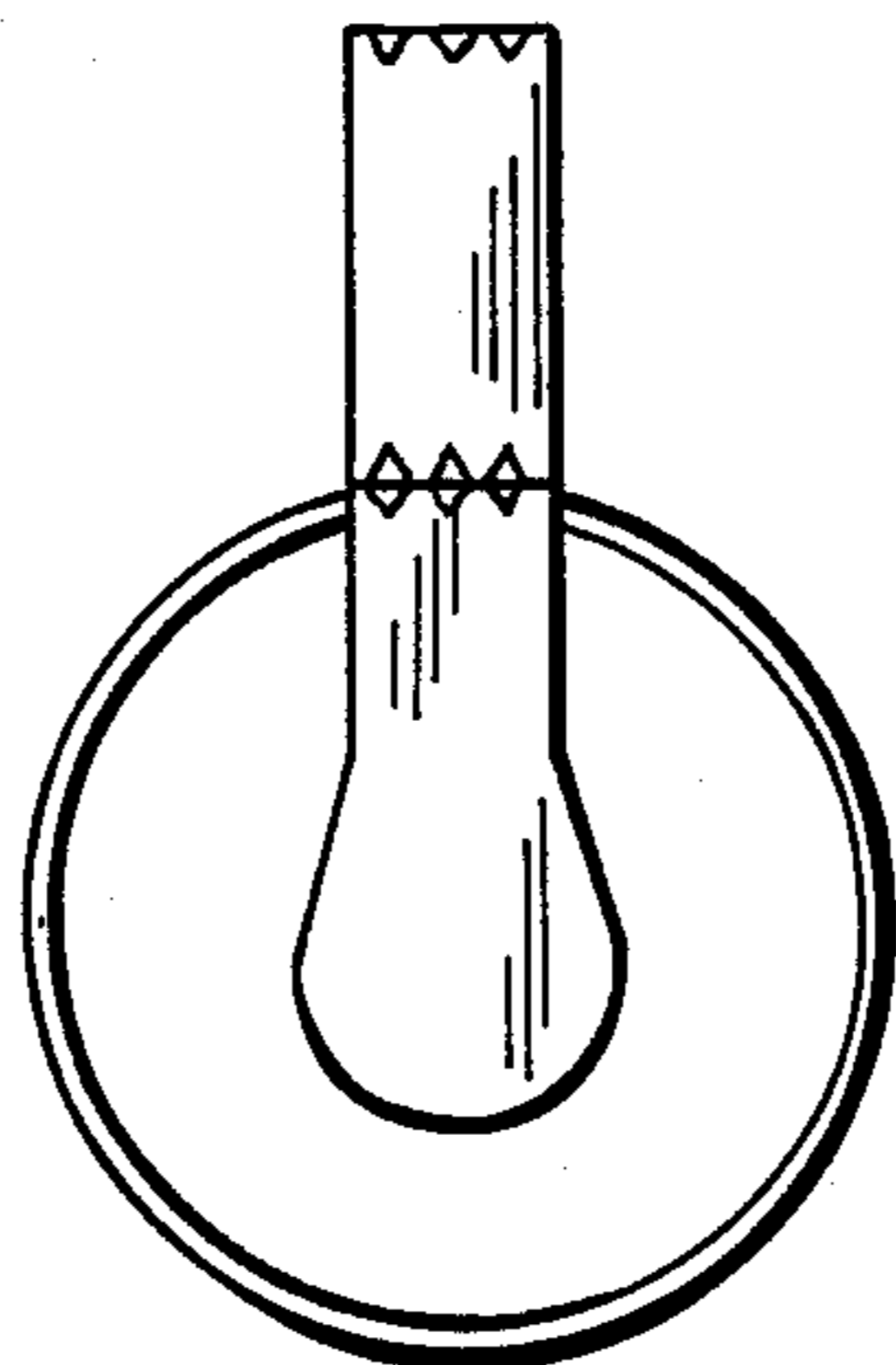


fig. 6

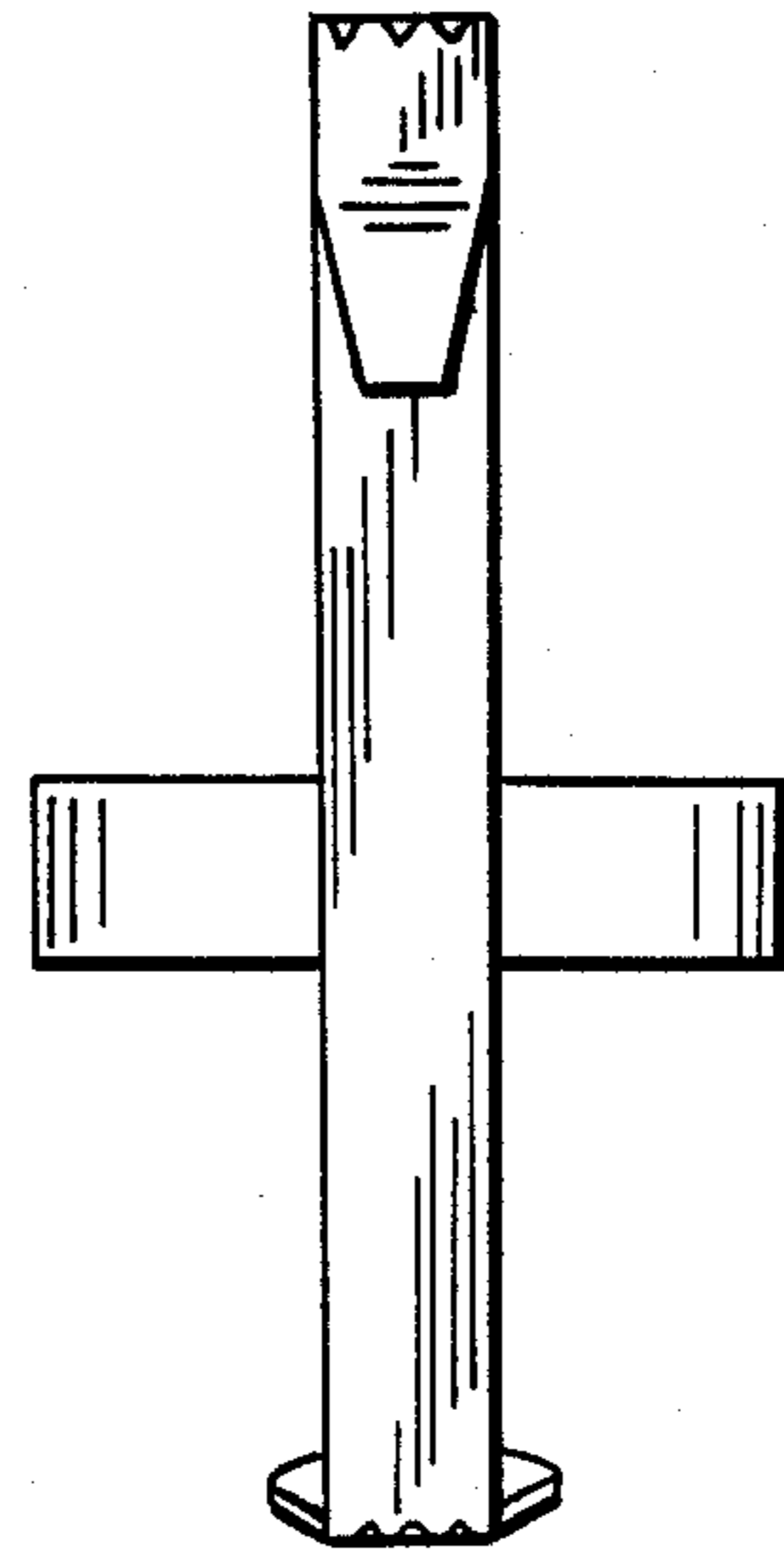


fig. 5