

[54] DONUT ICING DEVICE

[76] Inventor: William E. Nelson, 3645 Arkansas, St. Louis, Mo. 63118

[**] Term: 14 Years

[21] Appl. No.: 592,875

[22] Filed: Mar. 23, 1984

[52] U.S. Cl. D7/43

[58] Field of Search D7/71, 43, 357-358; 222/403; 118/26, 30, 13, 423, 425, 428

[56] References Cited

U.S. PATENT DOCUMENTS

213,453	3/1879	Ruger	118/13
531,398	12/1894	Strohecker et al.	118/26
843,300	2/1907	Remmers	118/26 X
914,803	3/1909	Crocker	118/30

OTHER PUBLICATIONS

Better Homes & Gardens, 11/73, p. 215, Yogurt Maker.

Primary Examiner—Bernard Ansher

Assistant Examiner—Terry Pfeffer

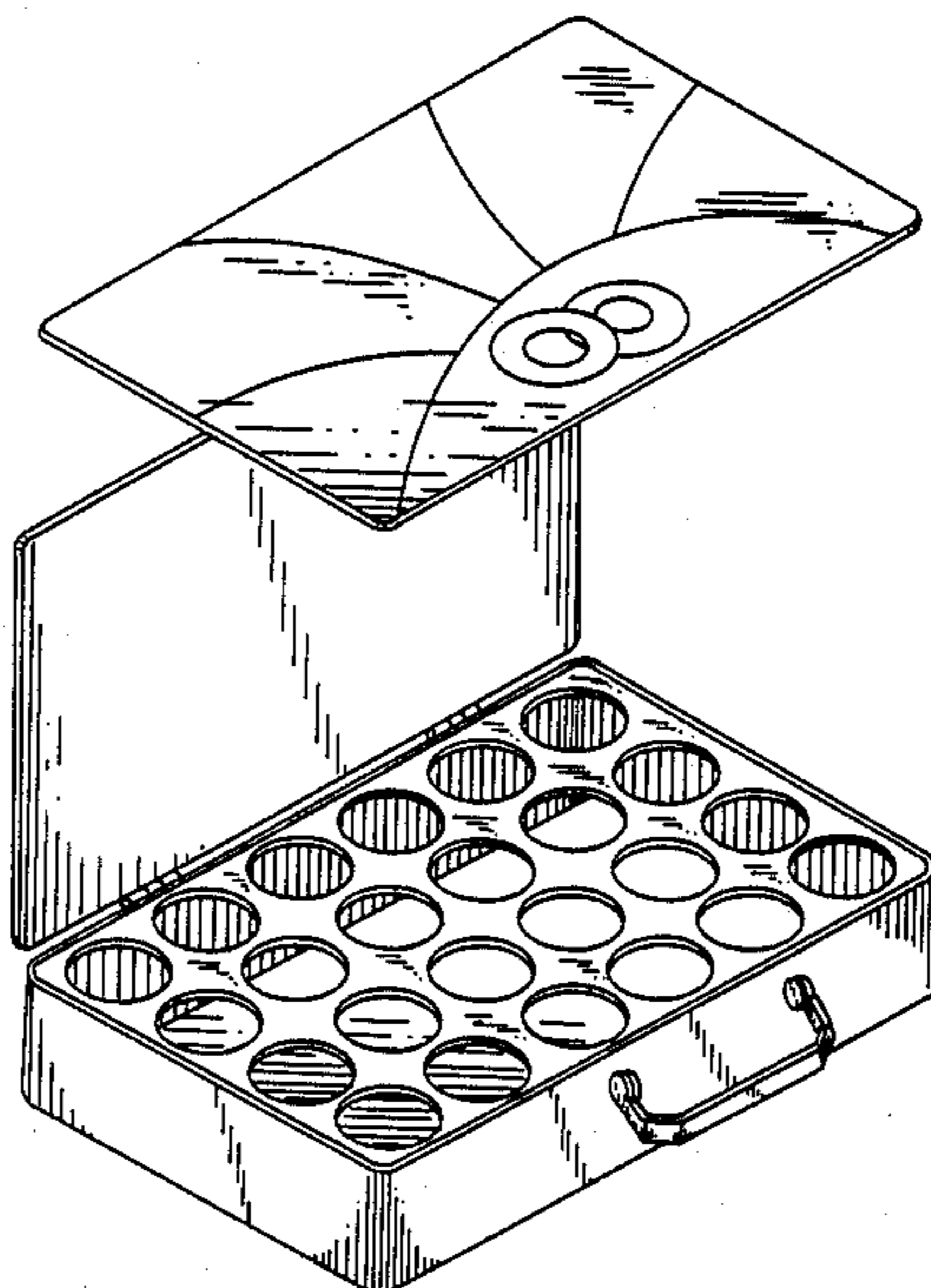
Attorney, Agent, or Firm—McLean, VA 22106; Terry M. Gernstein

[57] CLAIM

The ornamental design for donut icing device, as shown and described.

DESCRIPTION

FIG. 1 is a partially exploded perspective view of a donut icing device showing my new design; FIG. 2 is a top plan view thereof with the press panel removed; FIG. 3 is a bottom plan view thereof; FIG. 4 is a left side elevational view thereof; FIG. 5 is a right side elevational view thereof; FIG. 6 is a front elevational view thereof; and, FIG. 7 is a rear elevational view thereof. FIG. 8 is a top plan view of the press panel of the donut icing device; FIG. 9 is a bottom plan view thereof; FIG. 10 is a left side elevational view thereof; FIG. 11 is a right side elevational view thereof; FIG. 12 is a front elevational view thereof; and, FIG. 13 is a rear elevational view thereof.



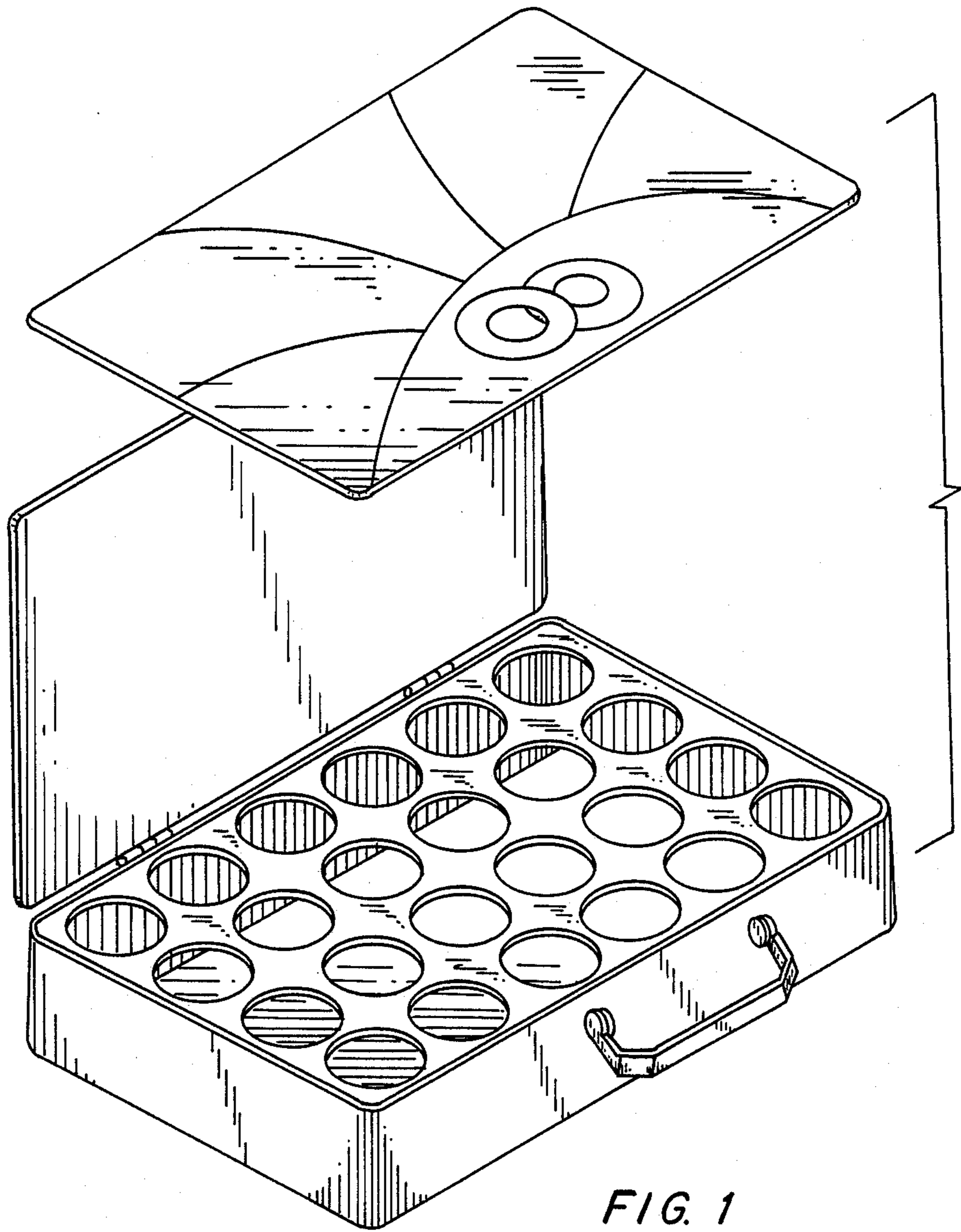


FIG. 1

FIG. 2

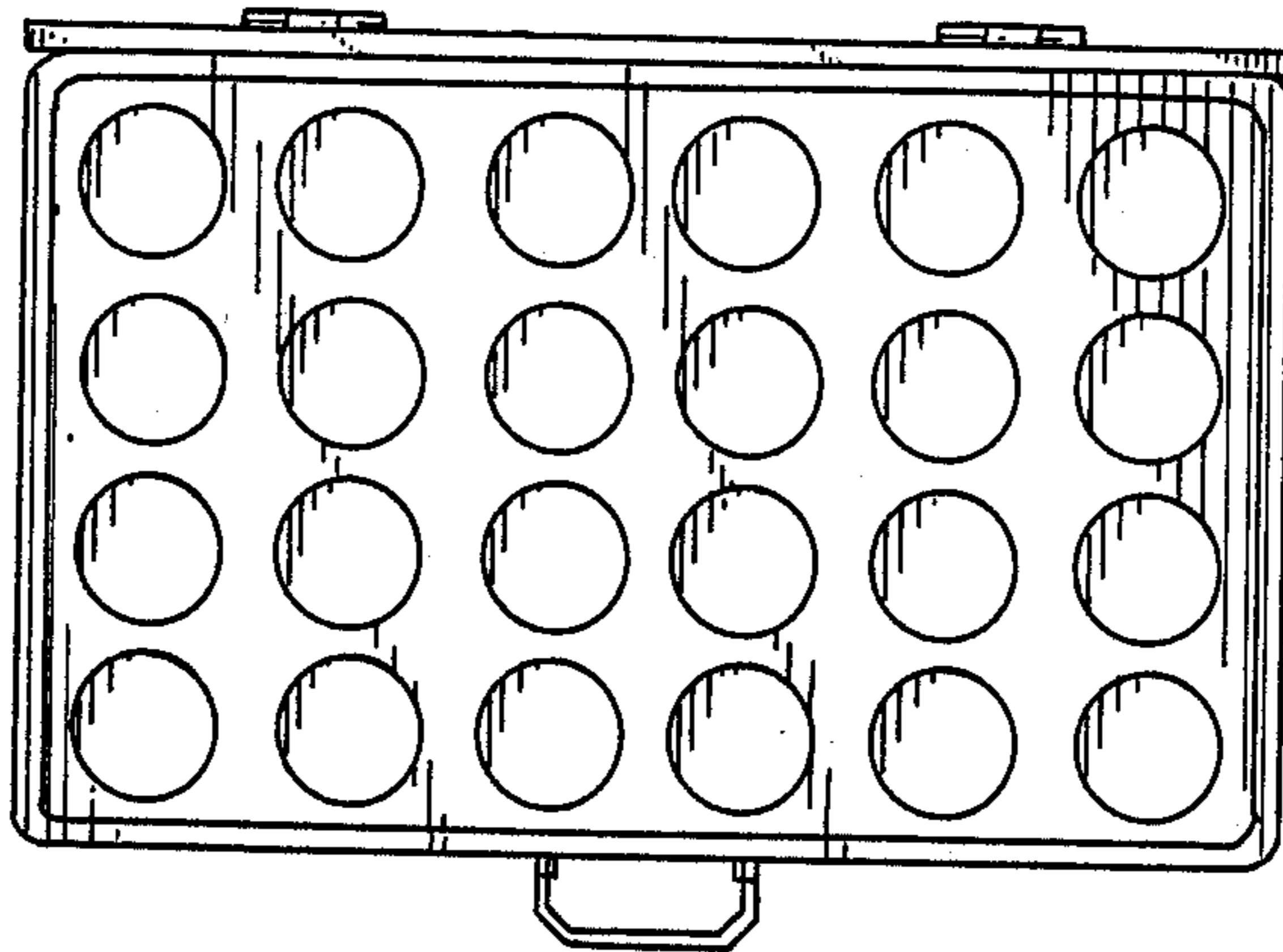


FIG. 3

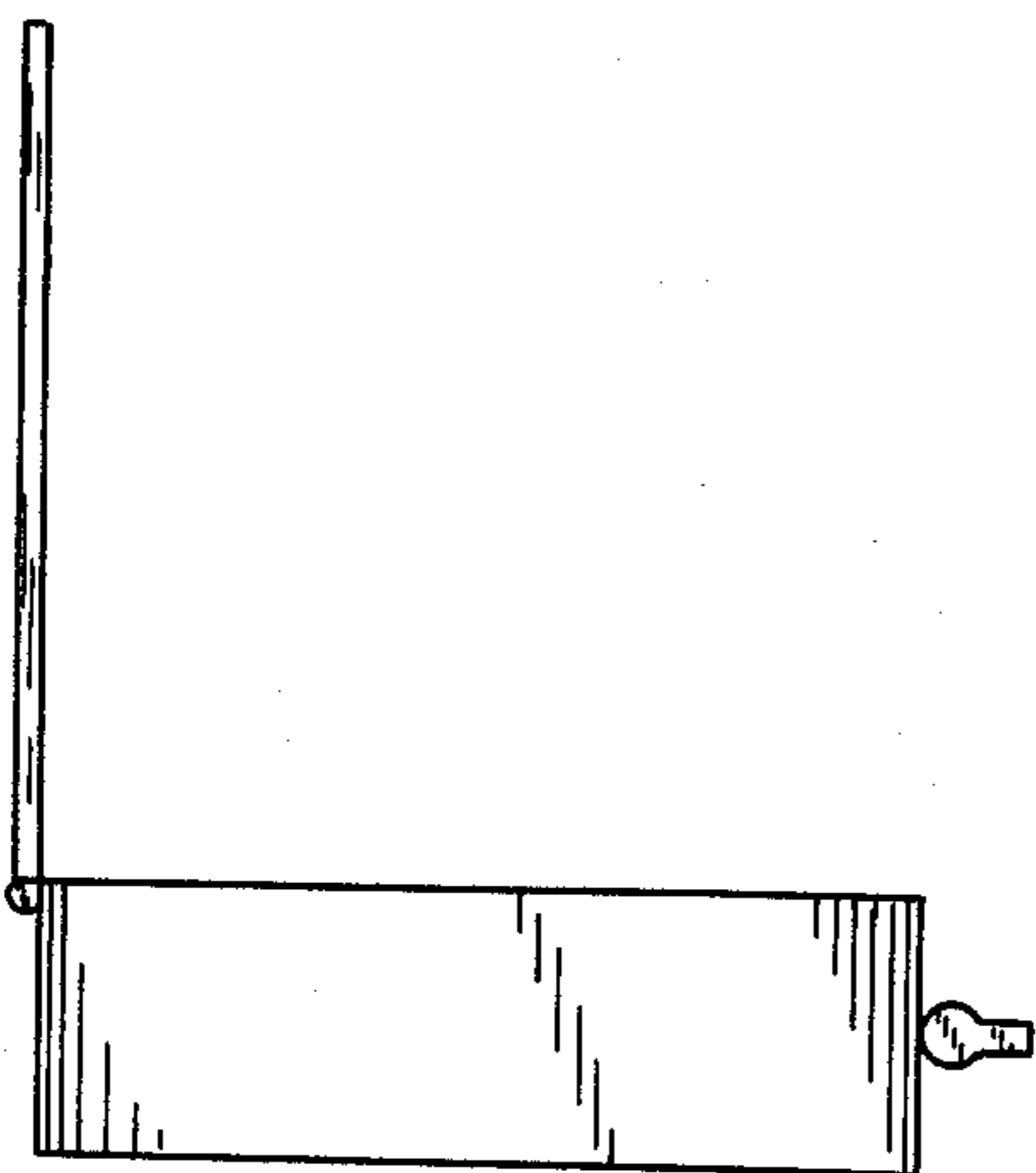
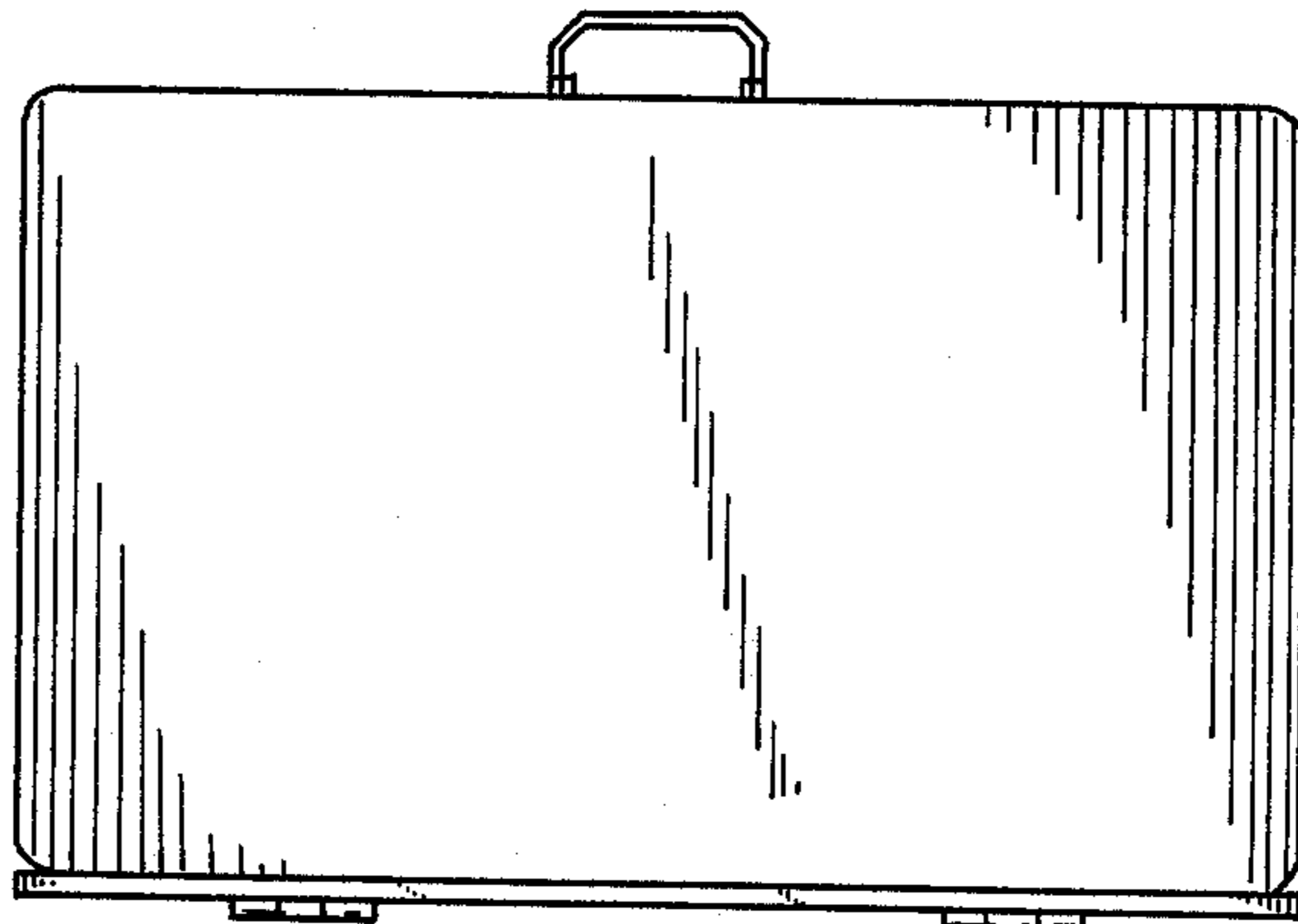


FIG. 4

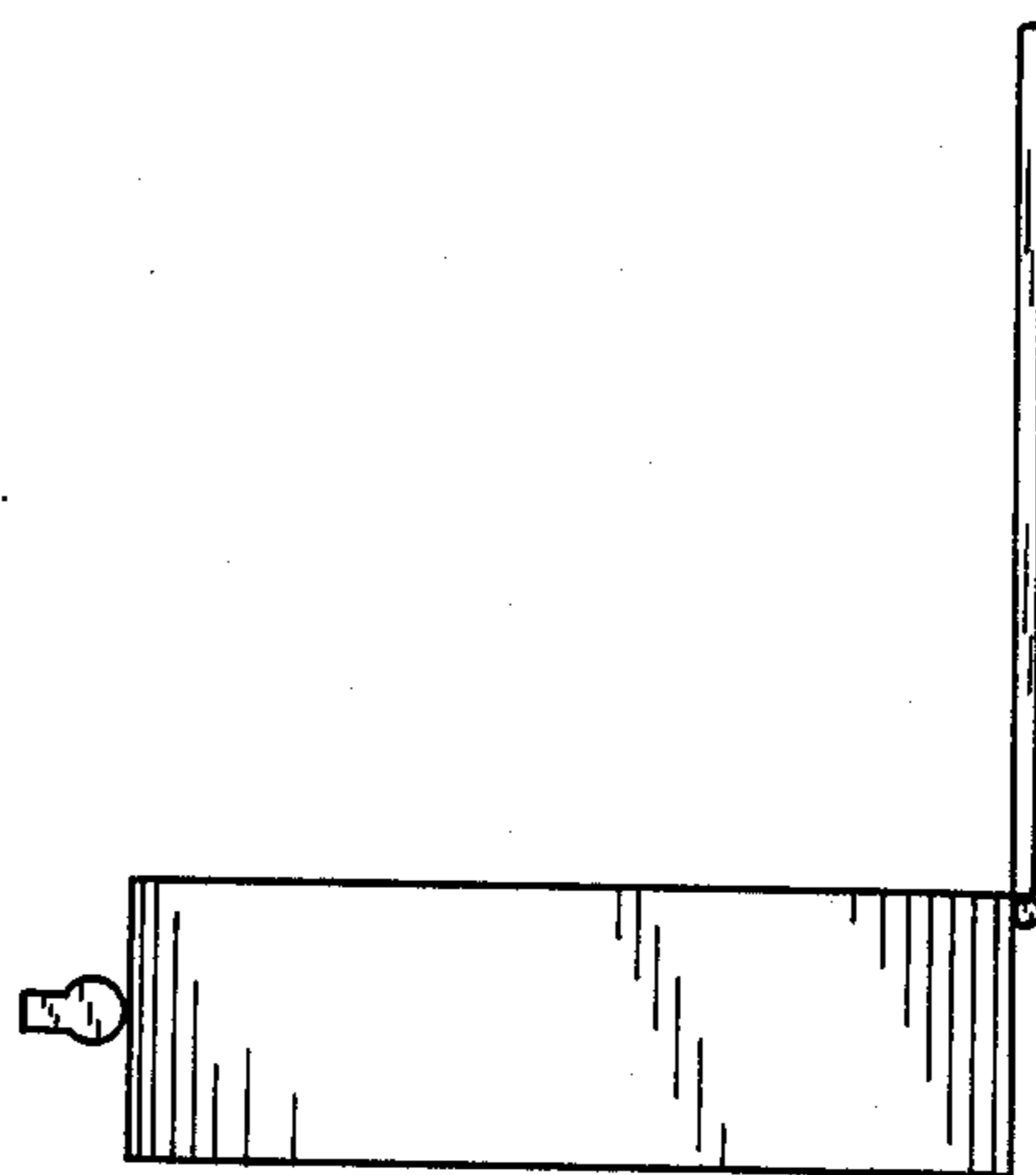


FIG. 5

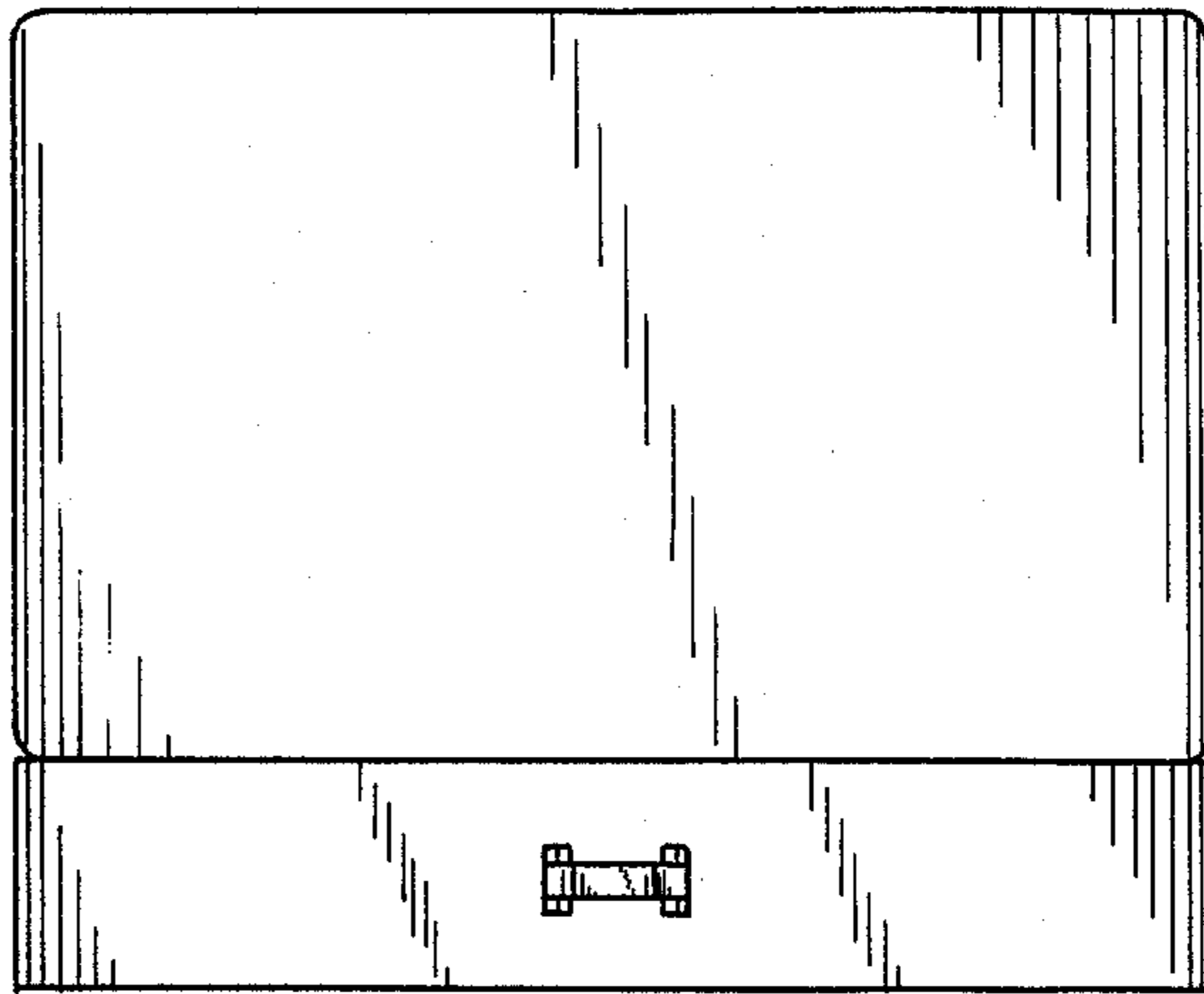


FIG. 6

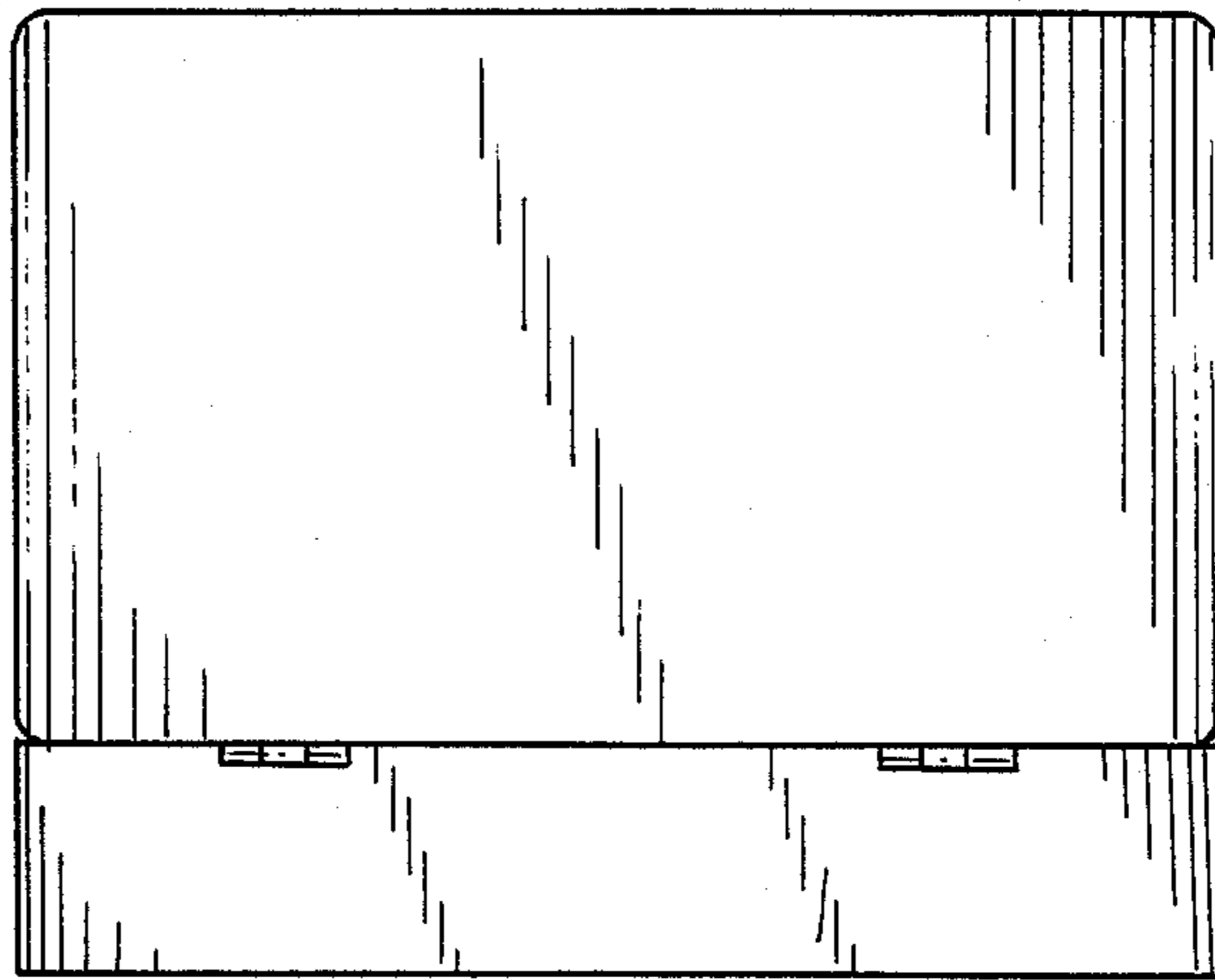


FIG. 7

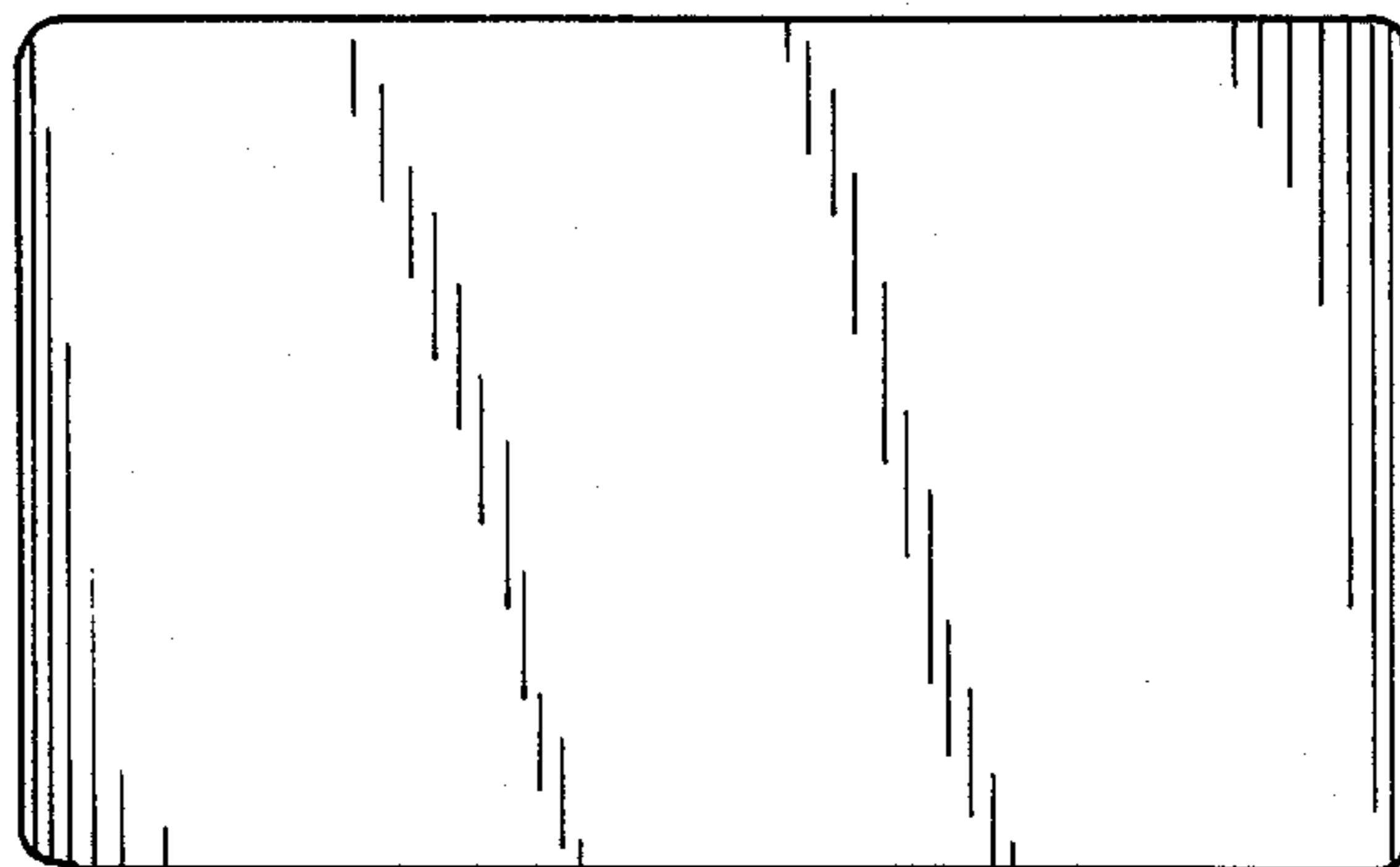


FIG. 8

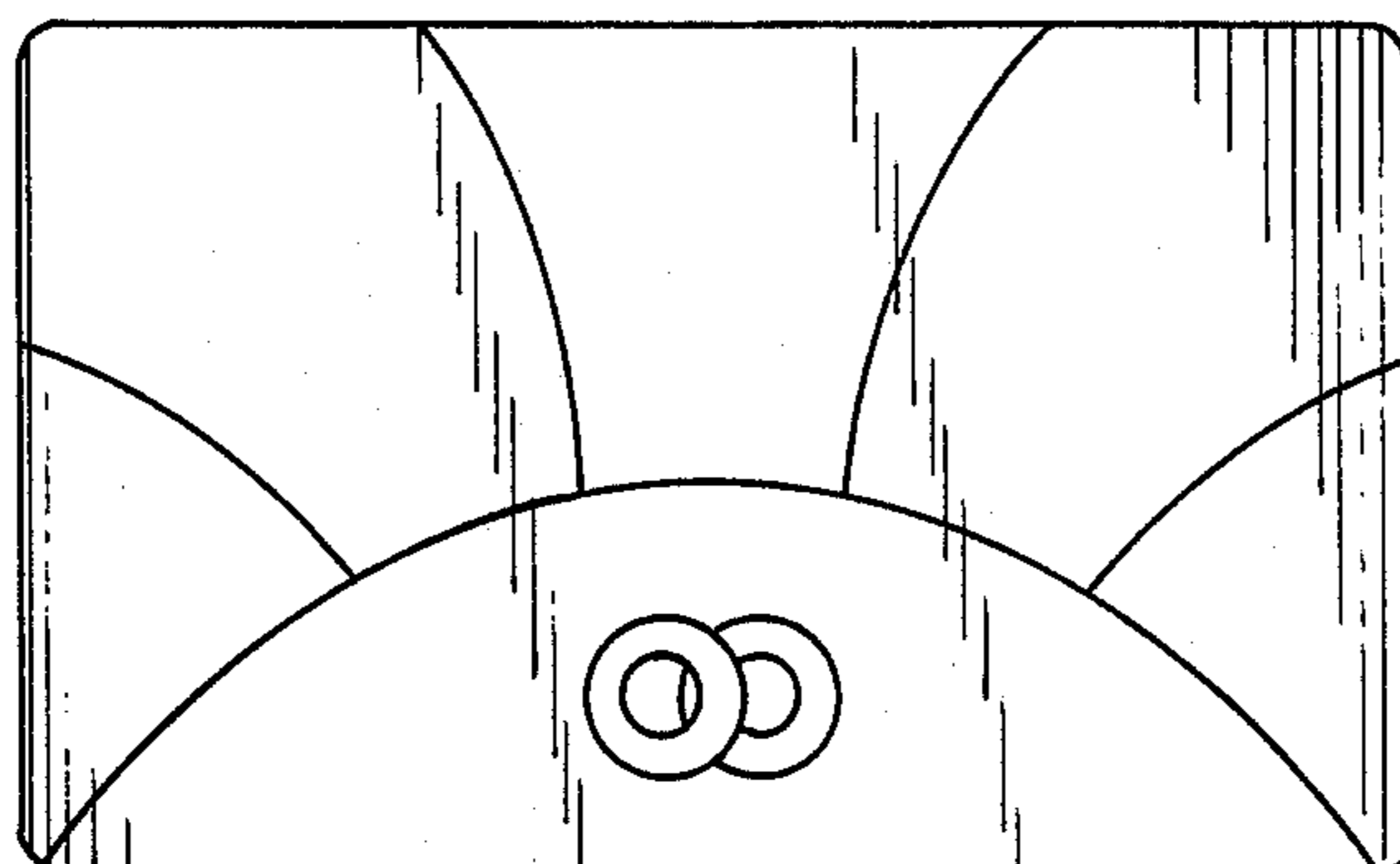


FIG. 9



FIG. 10



FIG. 11



FIG. 12



FIG. 13