

[54] **COMBINED COLLAPSIBLE PICNIC TABLE AND CARRIER FOR A COOLER**  
 [76] **Inventor: Richard White, 222 S. M St., Lake Worth, Fla. 33460**  
 [\*\*] **Term: 14 Years**  
 [21] **Appl. No.: 888,988**  
 [22] **Filed: Jul. 24, 1986**  
 [52] **U.S. Cl. .... D6/337; D6/335**  
 [58] **Field of Search ..... D6/335, 337, 361, 370, D6/485; 297/157**

1,814,838 7/1931 Martin .  
 1,961,394 6/1934 Rothe .  
 2,220,150 11/1940 Goldman .  
 2,722,971 11/1955 Gallagher et al. .... D6/337 X  
 2,777,584 1/1957 Dobrin et al. .... 211/137  
 2,875,905 3/1959 Tepper et al. .... 211/150  
 2,927,702 3/1960 Van Duesen, Jr. et al. .... 211/149  
 3,870,333 3/1975 Burdick et al. .... 280/47.35

*Primary Examiner*—Bruce W. Dunkins  
*Attorney, Agent, or Firm*—Terry M. Gernstein

- [56] **References Cited**  
**U.S. PATENT DOCUMENTS**
- |            |         |                |          |
|------------|---------|----------------|----------|
| D. 145,655 | 10/1946 | Brantz .....   | D6/370 X |
| D. 183,545 | 9/1958  | Shore .....    | D6/337   |
| D. 241,692 | 10/1976 | Gerber .....   | D6/337   |
| D. 241,893 | 10/1976 | Cavic .....    | D6/337   |
| 246,284    | 8/1881  | Baughner .     |          |
| D. 263,531 | 3/1982  | Hanson .....   | D6/485   |
| D. 266,376 | 10/1982 | Musgrove ..... | D6/337   |
| D. 285,871 | 9/1986  | Stenwall ..... | D6/361 X |
| 397,358    | 2/1889  | Hall .         |          |

[57] **CLAIM**  
 The ornamental design for a combined collapsible picnic table and carrier for a cooler, as shown and described.

**DESCRIPTION**  
 FIG. 1 is a perspective view of a combined collapsible picnic table and carrier for a cooler showing my new and ornamental design.  
 FIG. 2 is a top plan view thereof.  
 FIG. 3 is a right end elevation view thereof.  
 FIG. 4 is a side elevation view thereof.  
 FIG. 5 is a perspective view of the table showing the same in a collapsed position.



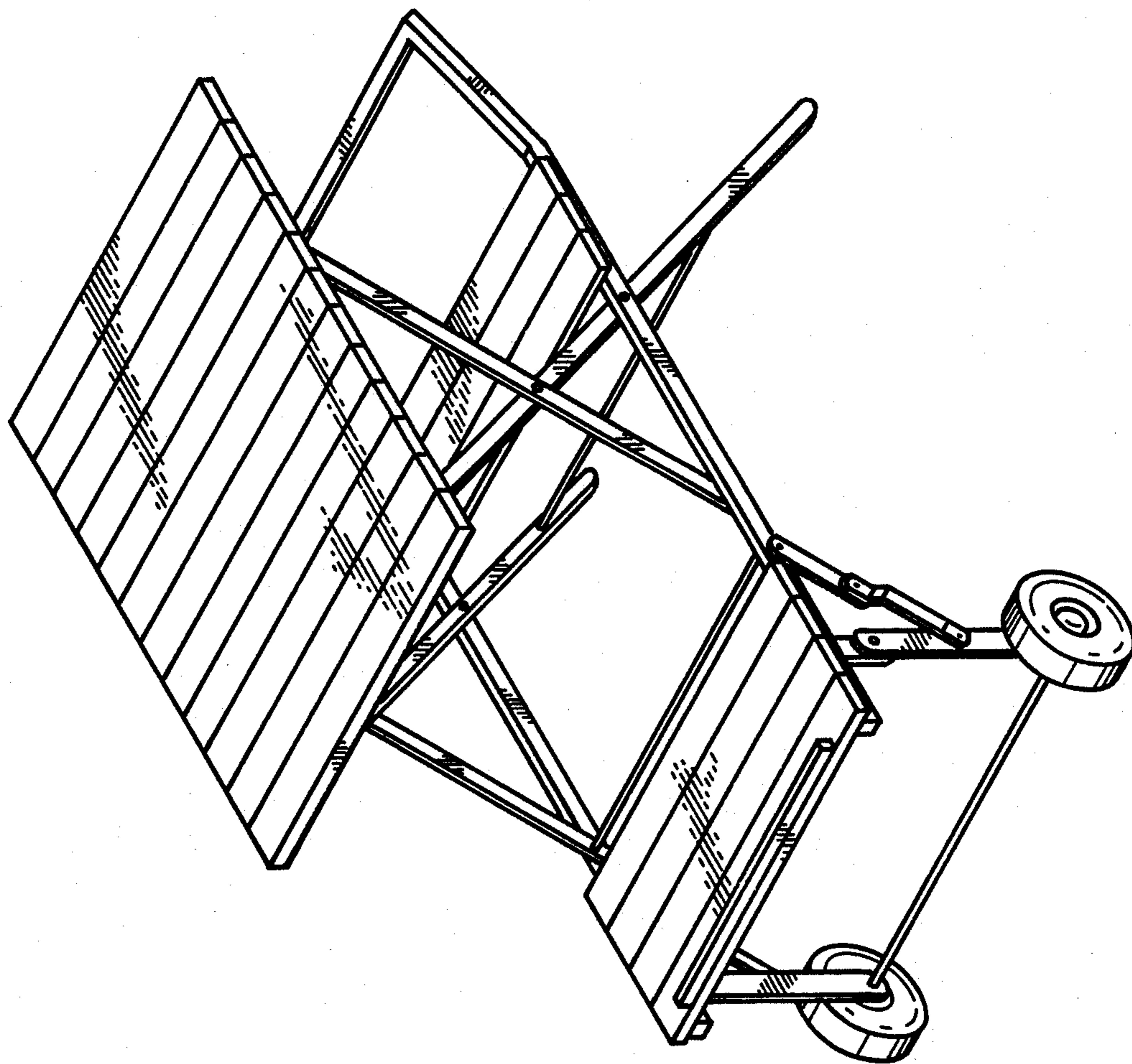


Fig. 1

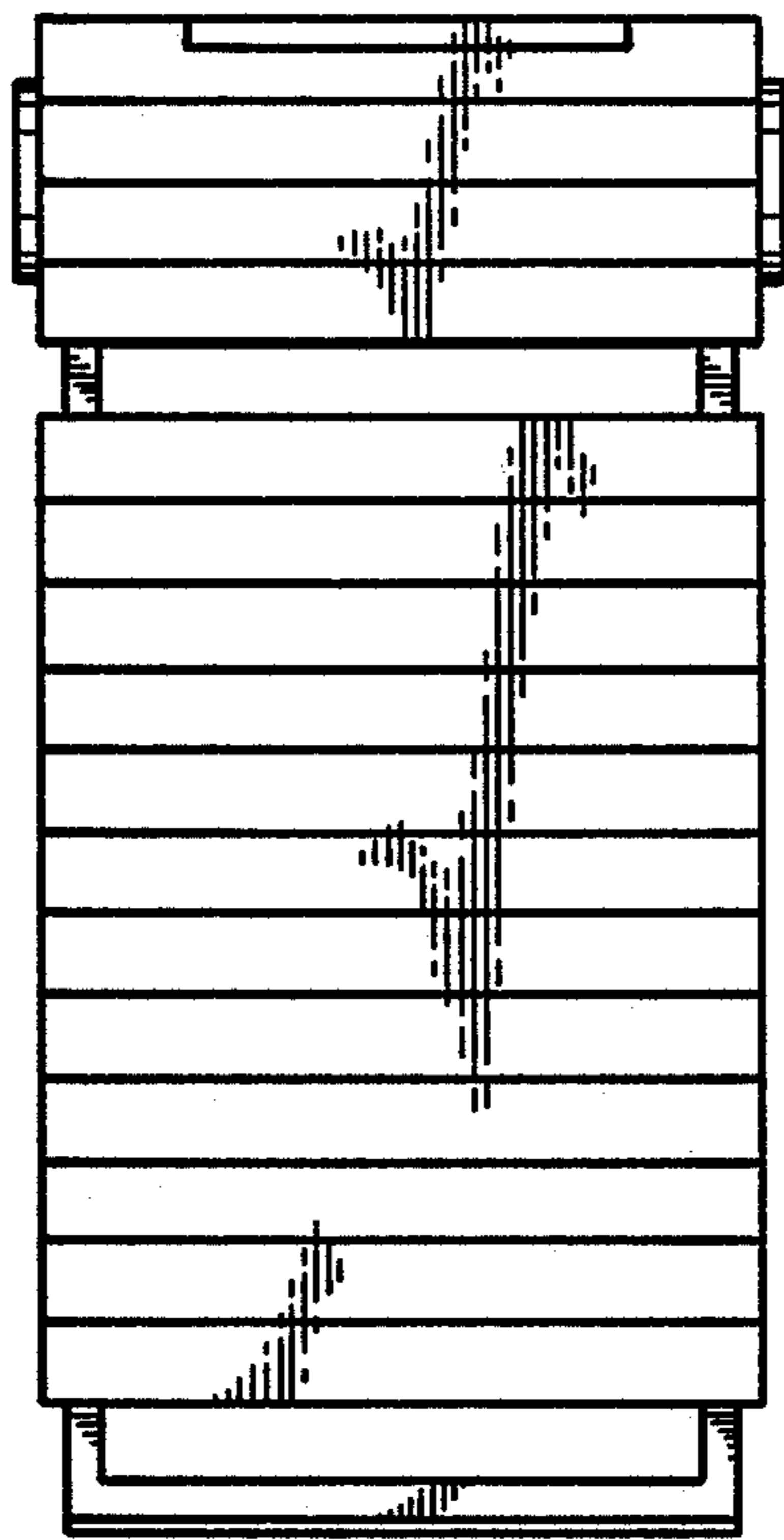


Fig. 2

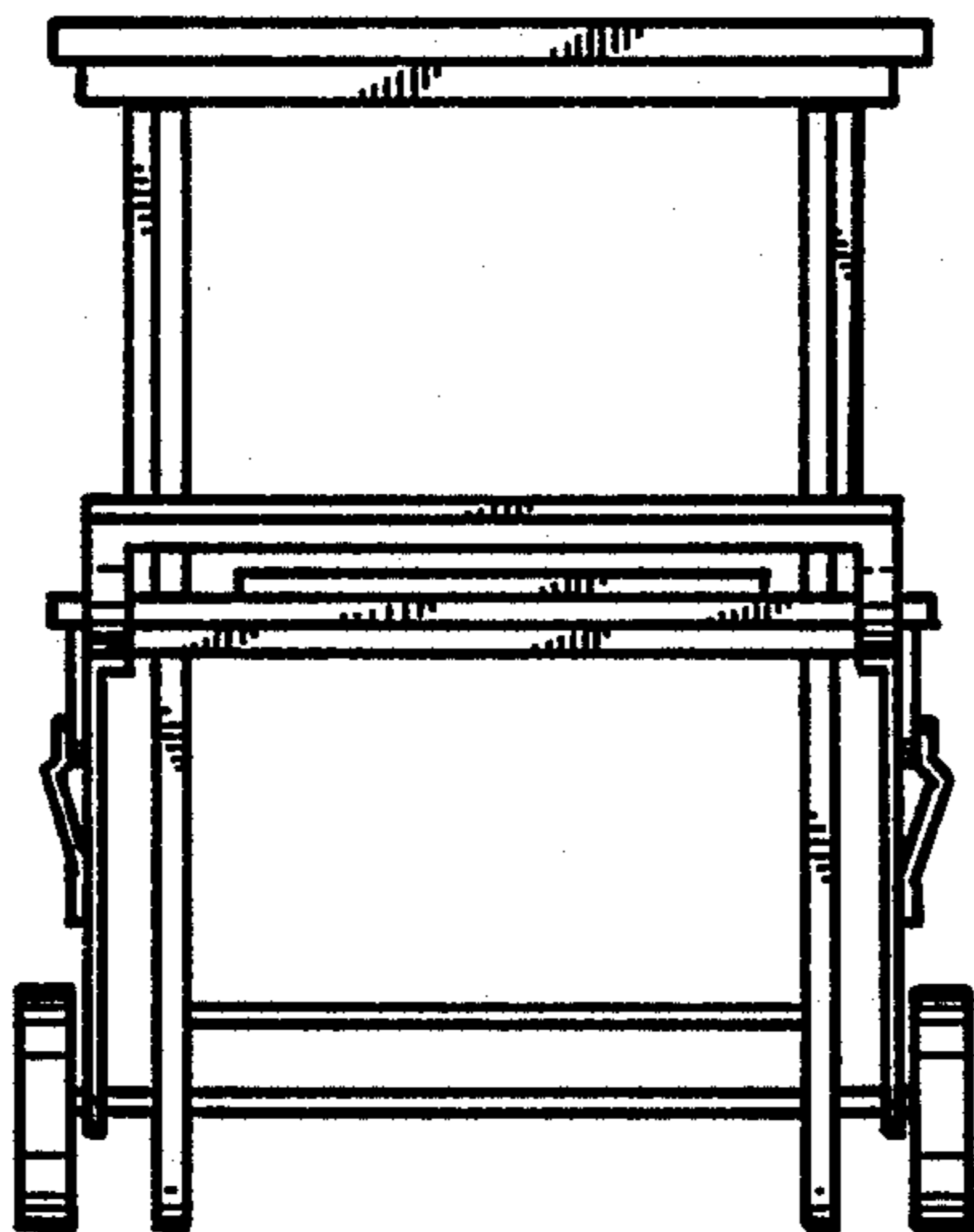


Fig. 3

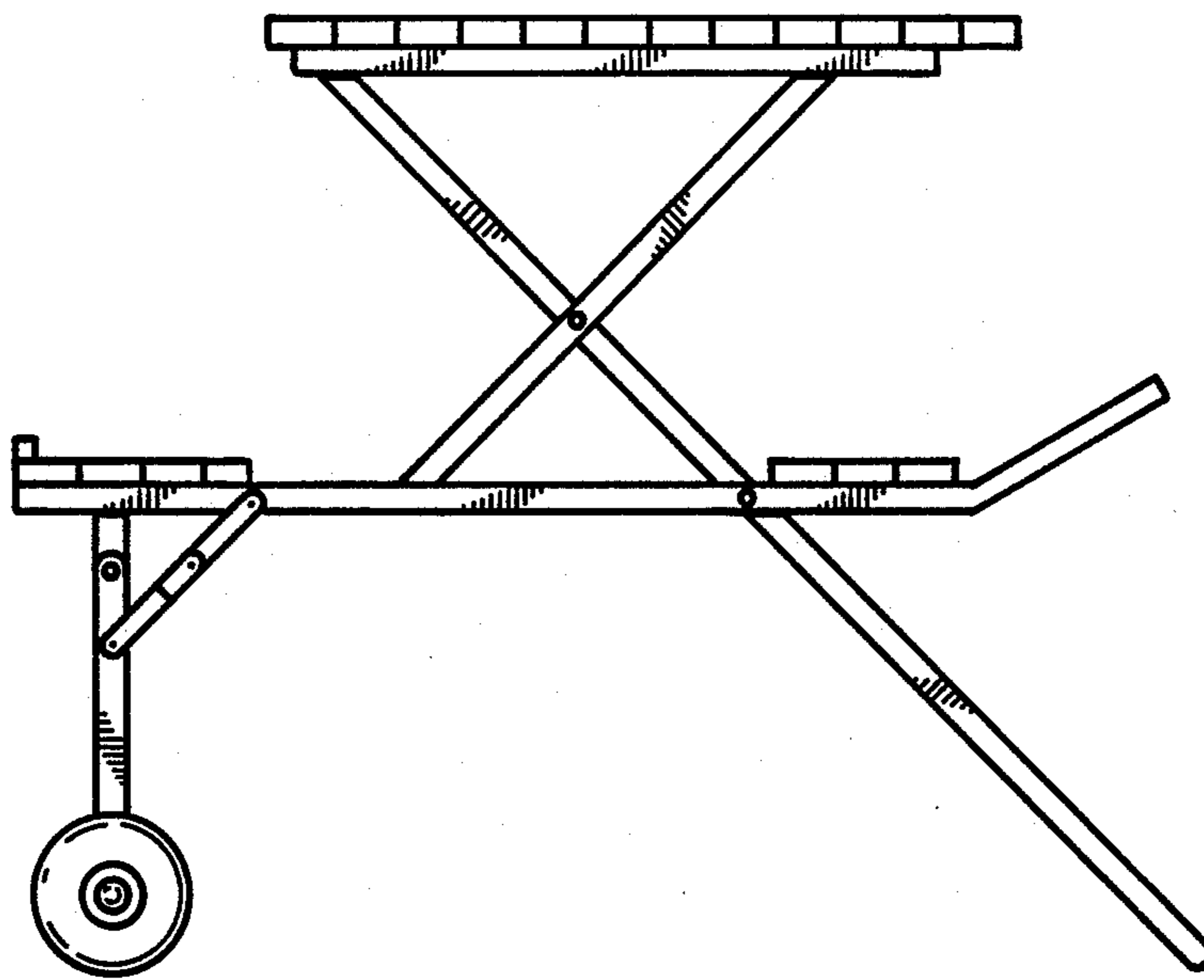


Fig. 4

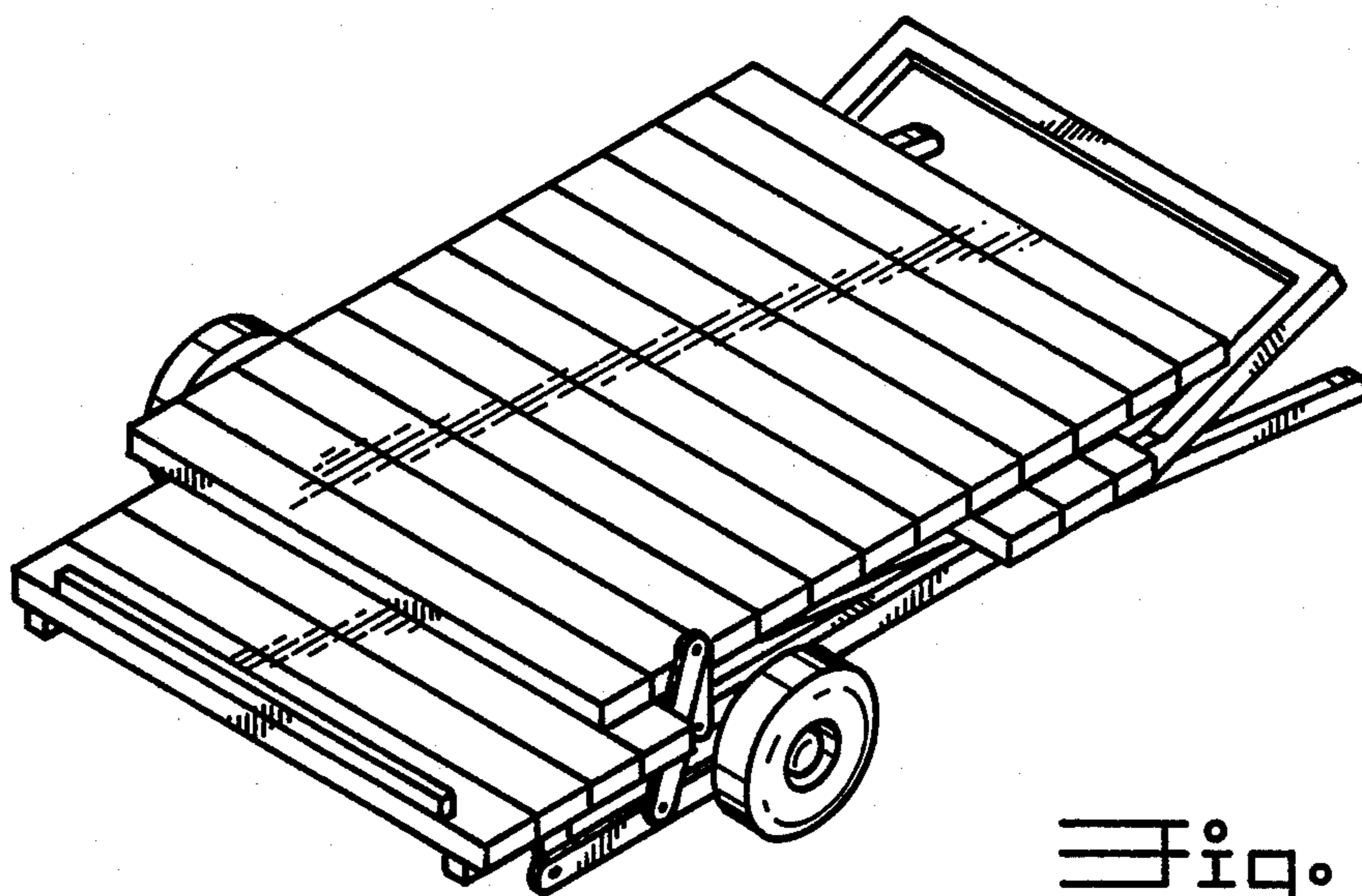


Fig. 5