

[54] NECKTIE CASE

[76] Inventor: John G. Merz, 32500 Hwy. 101, Gold Beach, Oreg. 97444

[**] Term: 14 Years

[21] Appl. No.: 793,651

[22] Filed: Oct. 31, 1985

[52] U.S. Cl. D3/30.1; D3/23

[58] Field of Search D3/30.1, 20, 23, 58; 150/52 B, 112; 190/109

[56] References Cited

U.S. PATENT DOCUMENTS

D. 237,752 11/1975 Bauer D3/71

OTHER PUBLICATIONS

Bell, 1982, p. 190, item P, Travel Tie Case.

Primary Examiner—Bernard Ansher
Assistant Examiner—Terry Pfeffer
Attorney, Agent, or Firm—Klarquist, Sparkman, Campbell, Leigh & Whinston

[57] CLAIM

The ornamental design for a necktie case, as shown and described.

DESCRIPTION

FIG. 1 is a front, bottom, right side perspective view of a necktie case showing my new design;
FIG. 2 is a perspective view thereof in an open position;
FIG. 3 is a top plan view thereof;
FIG. 4 is a top plan view thereof in an open position;
and
FIG. 5 is a bottom plan view thereof in an open position.

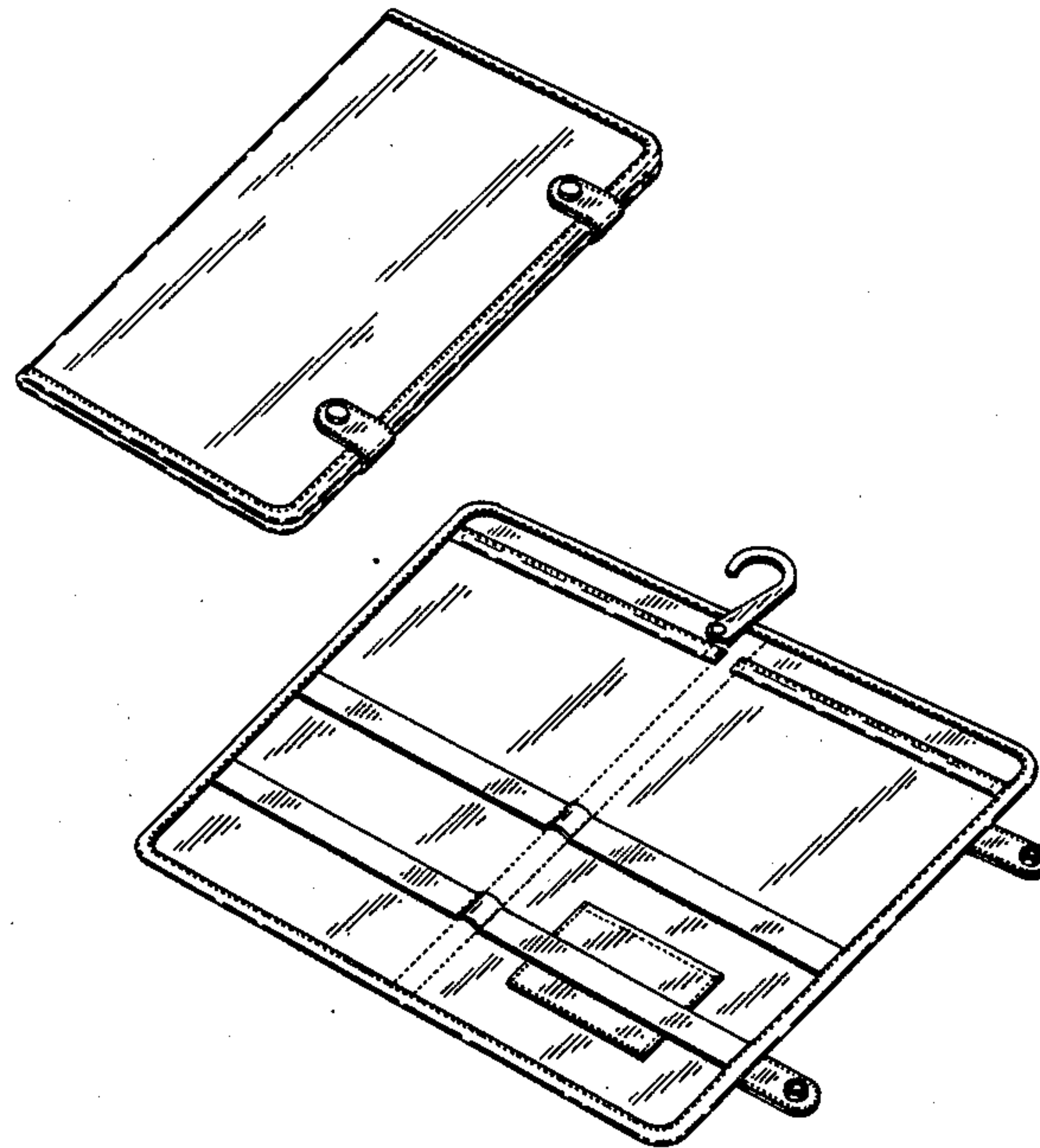


FIG. 1

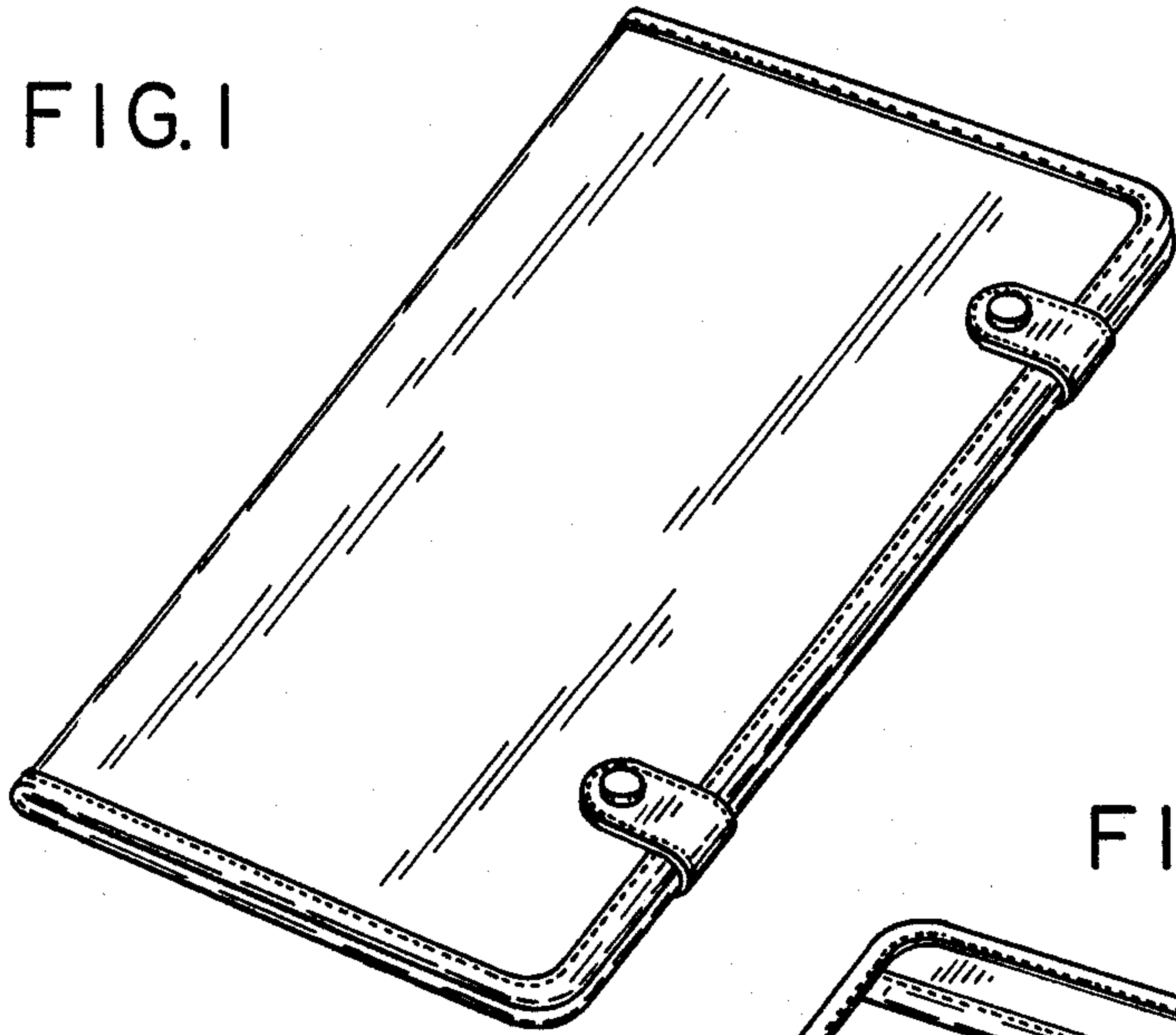


FIG. 3



FIG. 2

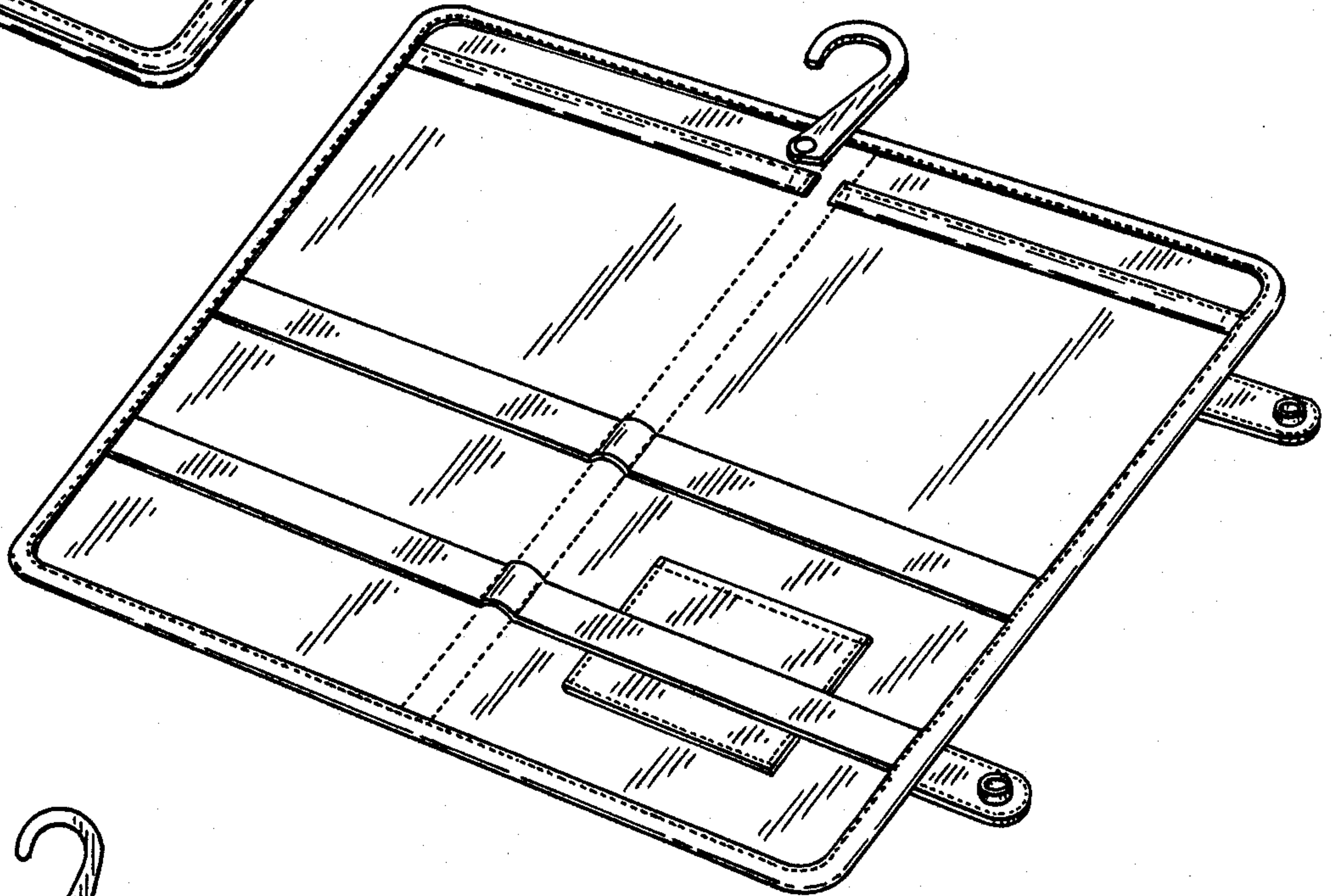


FIG. 4

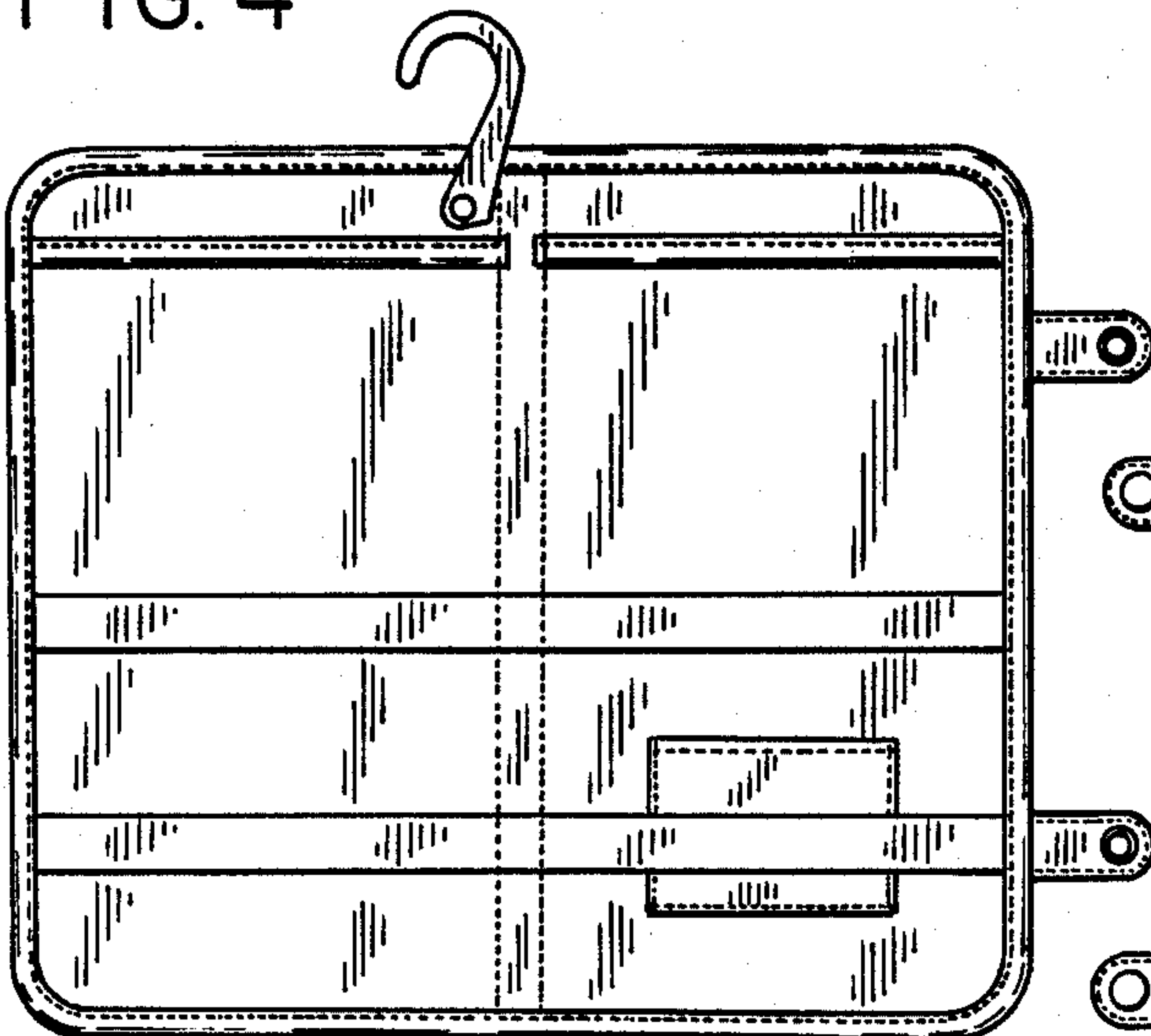


FIG. 5

