

[54] CADDY FOR TRANSPORTING A PORTABLE PROPANE BOTTLE IN A HORIZONTAL MODE

[76] Inventor: Robert L. Michau, 927 Embercrest Dr., Arlington, Tex. 76017

[**] Term: 14 Years

[21] Appl. No.: 818,541

[22] Filed: Jan. 13, 1986

[52] U.S. Cl. D34/38; D34/28

[58] Field of Search D34/31, 28, 38; 108/51.1, 55.1; 248/148; 211/71, 74, 60.1; 224/309, 310, 317, 325, 326, 329

[56] References Cited

U.S. PATENT DOCUMENTS

699,475	5/1902	Bechtel	108/51.1
2,486,316	10/1949	Morse et al.	224/310
3,010,409	11/1961	Good et al.	108/51.1
3,331,496	7/1967	Marsden et al.	108/51.1

4,190,165 2/1980 Collins 211/60.1

Primary Examiner—Wallace R. Burke

Assistant Examiner—Kay H. Chin

Attorney, Agent, or Firm—Charles W. McHugh

[57] CLAIM

The ornamental design for a caddy for transporting a portable propane bottle in a horizontal mode, as shown and described.

DESCRIPTION

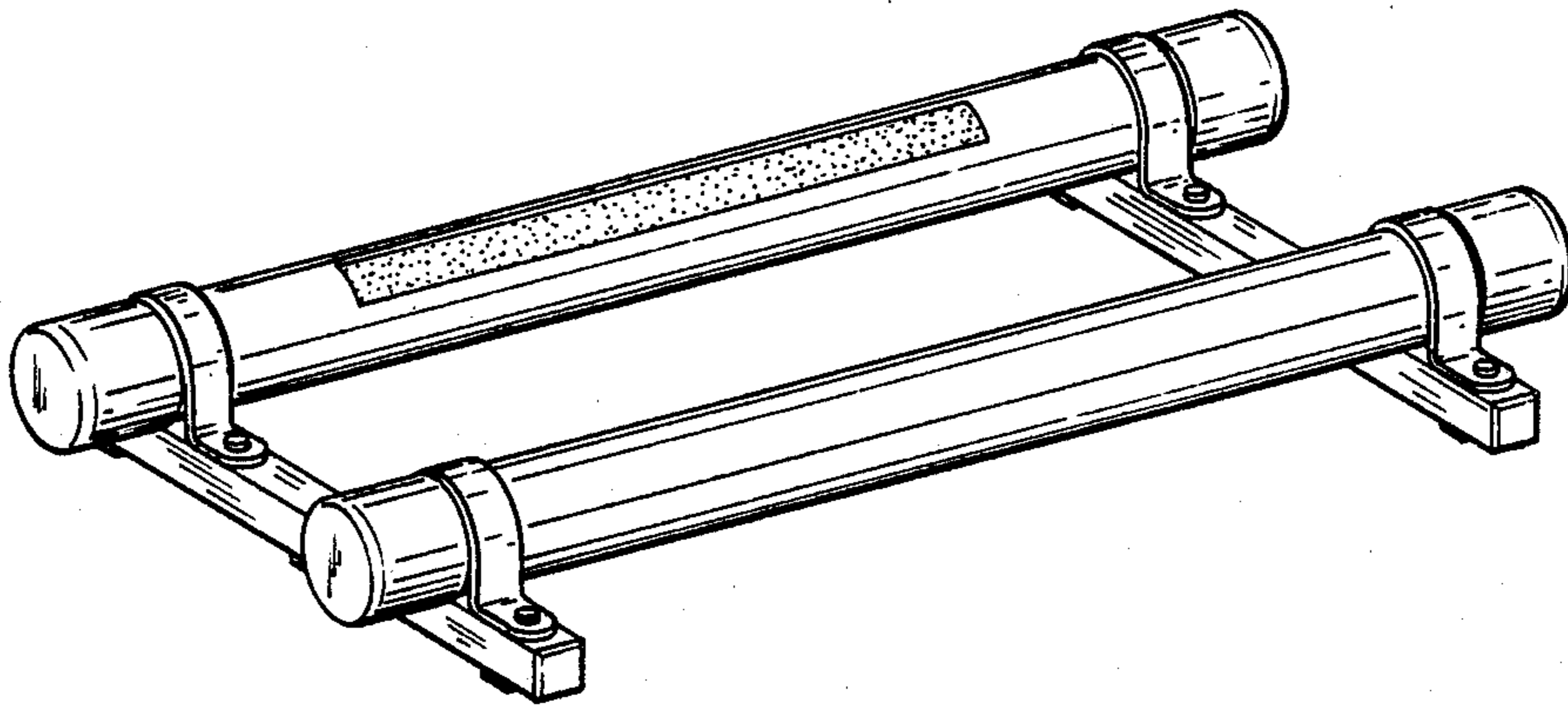
FIG. 1 is a perspective view of a caddy for transporting a portable propane bottle in a horizontal mode, showing my new design;

FIG. 2 is a front elevational view thereof, the rear elevational view being a mirror image of that shown;

FIG. 3 is a top plan view thereof;

FIG. 4 is a bottom plan view thereof; and

FIG. 5 is a side elevational view thereof, the opposite side elevational, view being a mirror image of that shown.



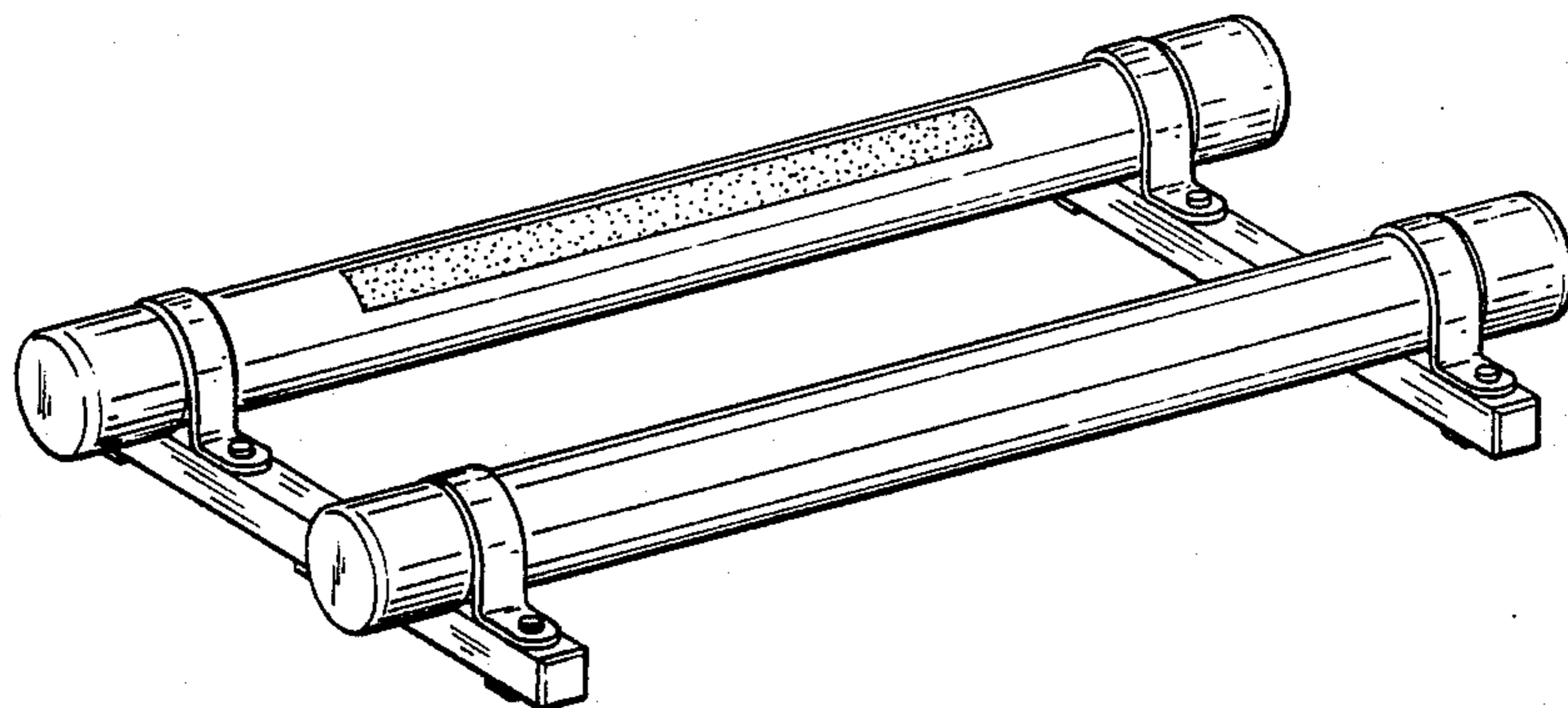


FIG. 1

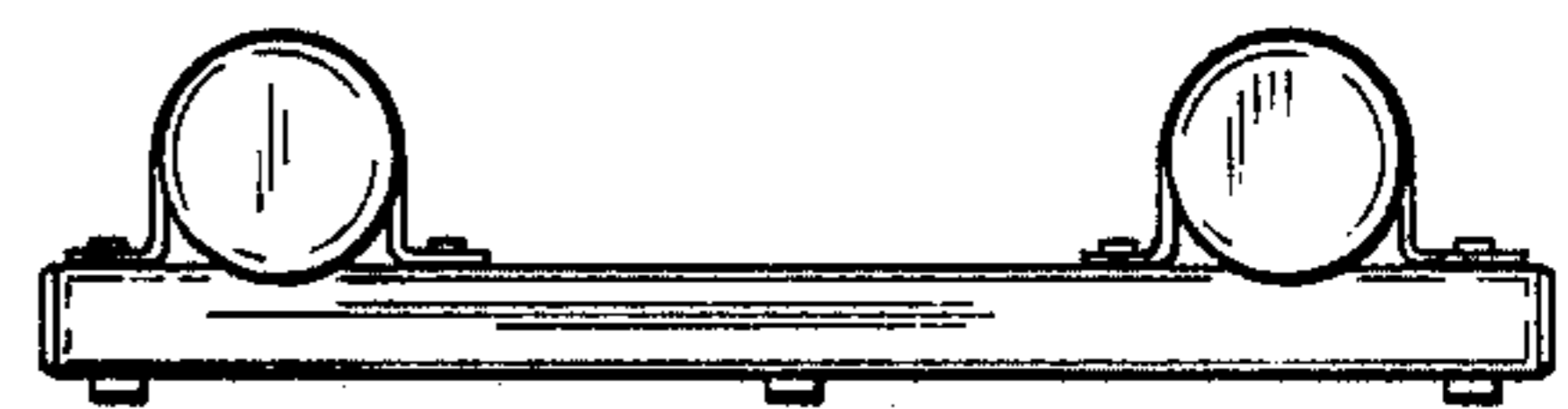


FIG. 2

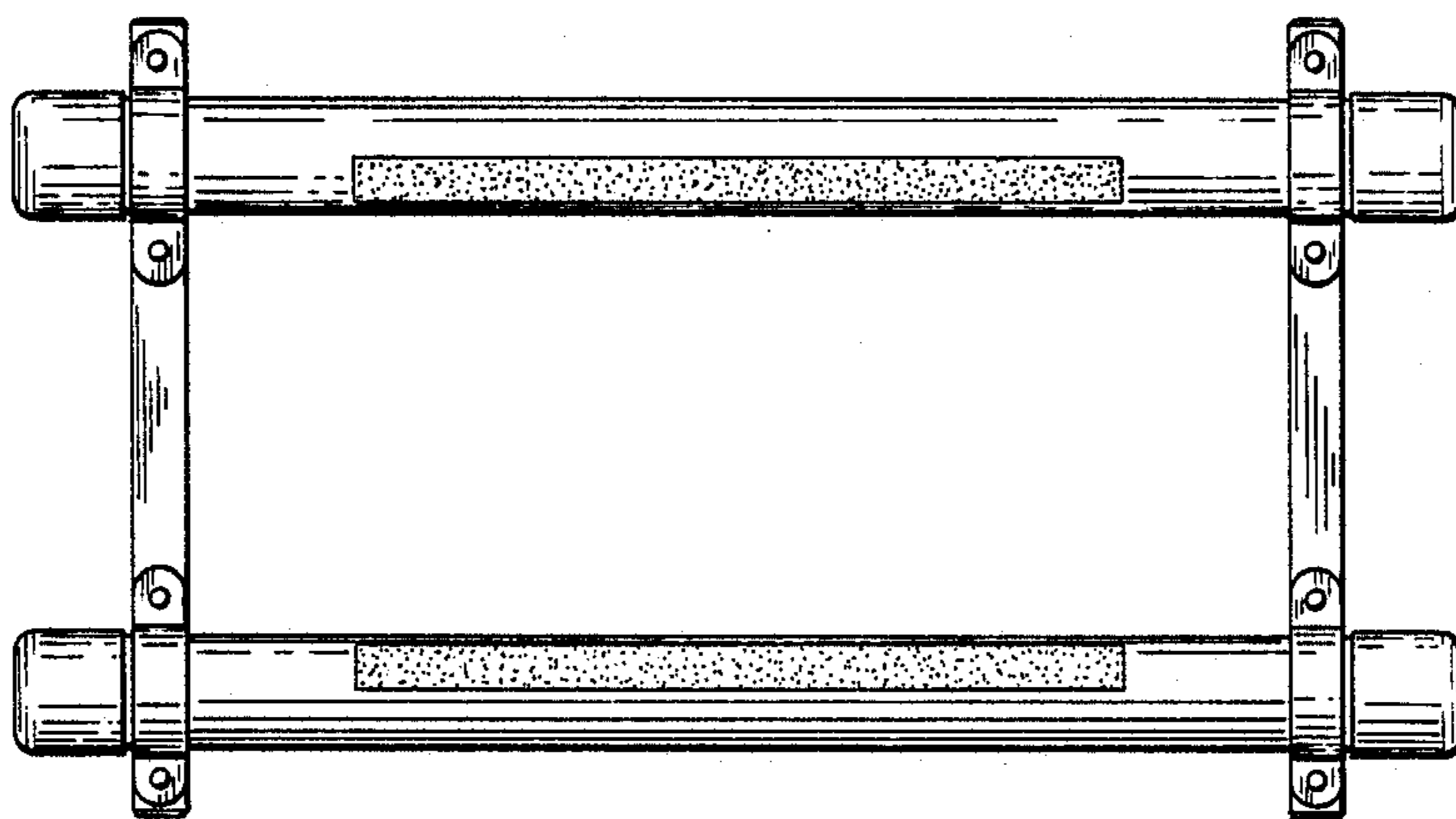


FIG. 3

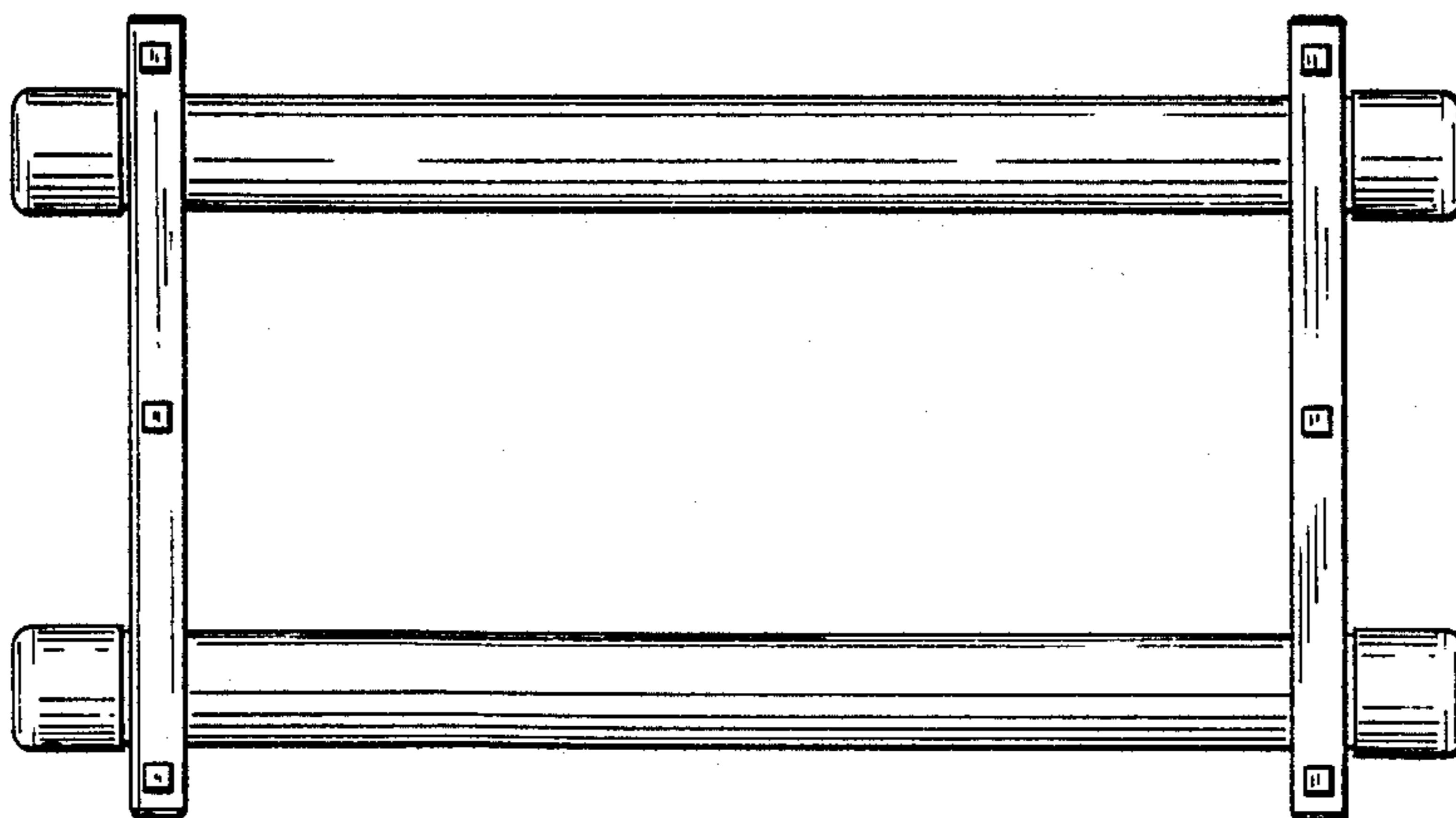


FIG. 4

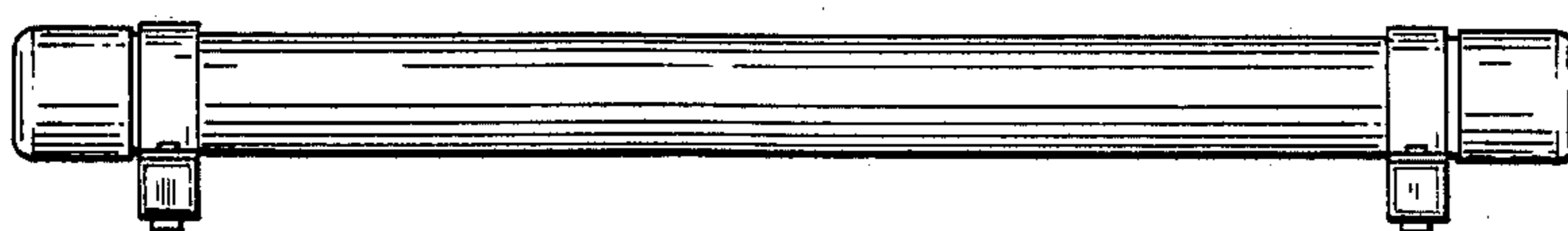


FIG. 5