

[54] **PORTABLE RAMP**

[76] **Inventor: Edward Canterberry, Rte. #4, Box 290, Winfield, Ala. 35594**

[**] **Term: 14 Years**

[21] **Appl. No.: 918,797**

[22] **Filed: Oct. 14, 1986**

[52] **U.S. Cl. D34/32**

[58] **Field of Search D34/32, 28; 14/71.1, 14/71.7, 69.5; 414/537; 248/346; 193/41, 38; 254/88, 81**

[56] **References Cited**

U.S. PATENT DOCUMENTS

D. 246,449 11/1977 Poe D34/32
3,756,440 9/1973 Raap et al. 414/537
3,818,528 6/1974 Petersen 14/69.5

FOREIGN PATENT DOCUMENTS

3326027 1/1985 Fed. Rep. of Germany 414/537

Primary Examiner—Wallace R. Burke

Assistant Examiner—Kay H. Chin

Attorney, Agent, or Firm—Terry M. Gernstein

[57] **CLAIM**

The ornamental design for a portable ramp, as shown and described.

DESCRIPTION

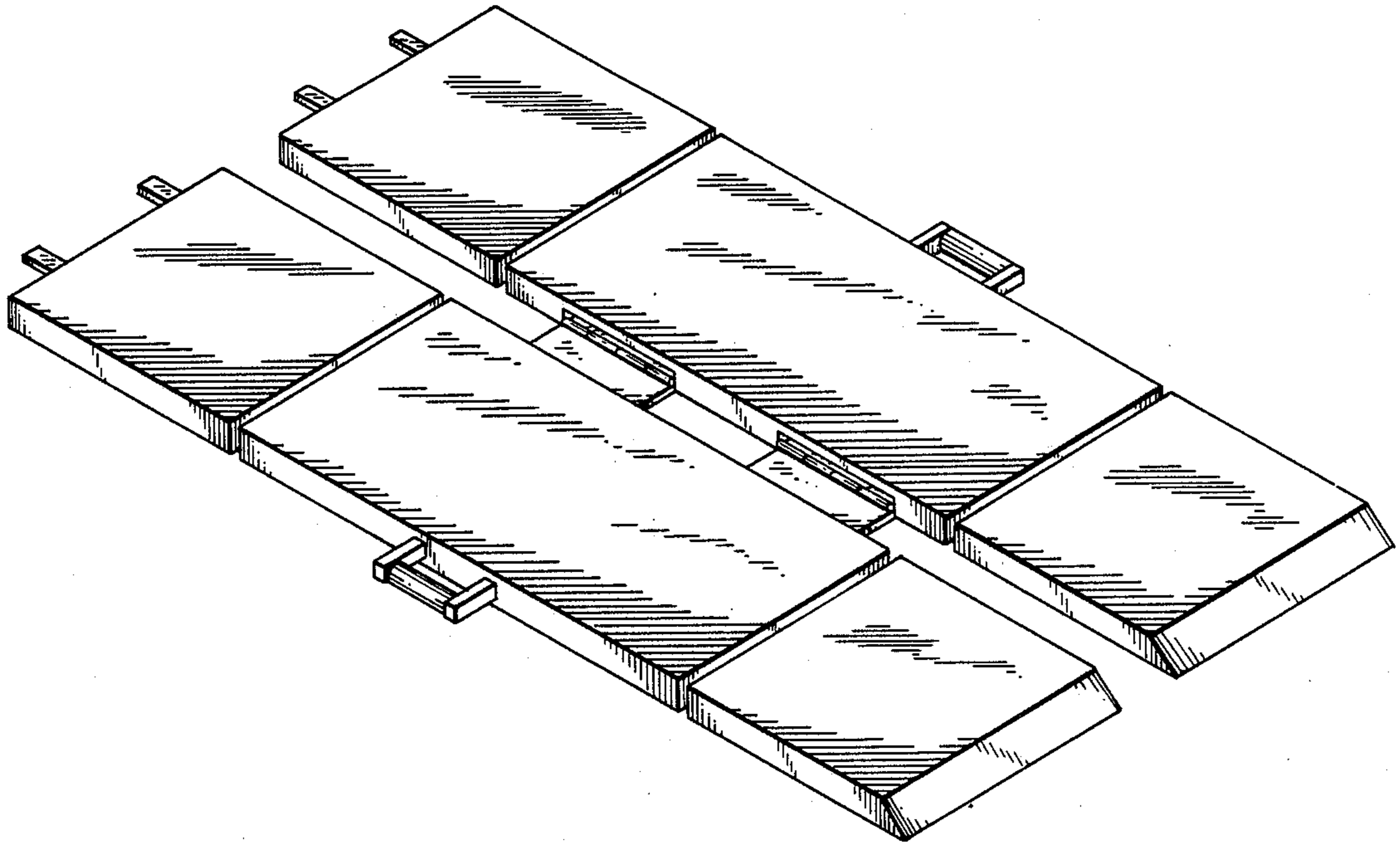
FIG. 1 is a top perspective view of a portable ramp showing my new design in a folded condition;

FIG. 2 is a side elevational view of FIG. 1;

FIG. 3 is a bottom plan view of FIG. 1;

FIG. 4 is a top perspective view of the portable ramp in open condition; and

FIG. 5 is a bottom plan view of FIG. 4.



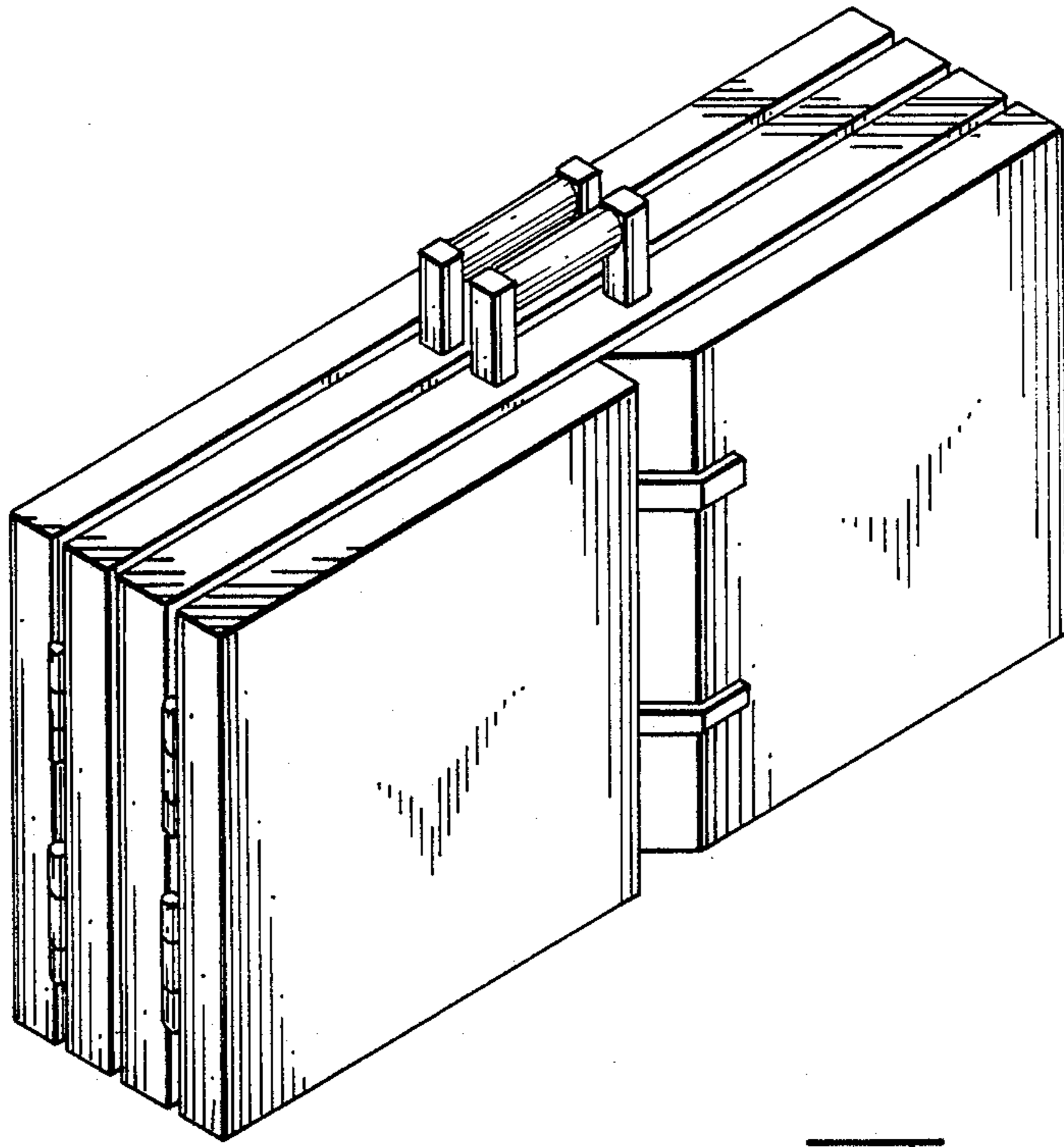


Fig. 1

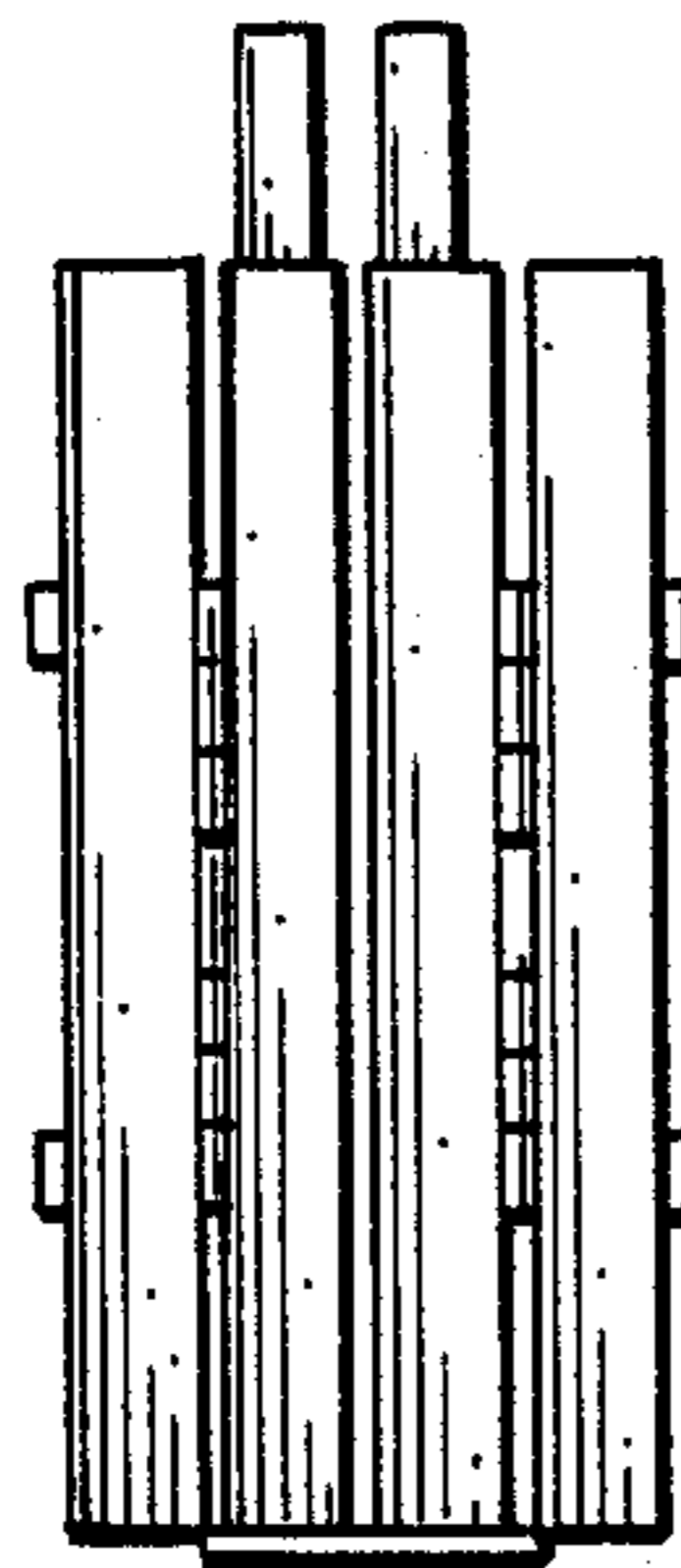


Fig. 2

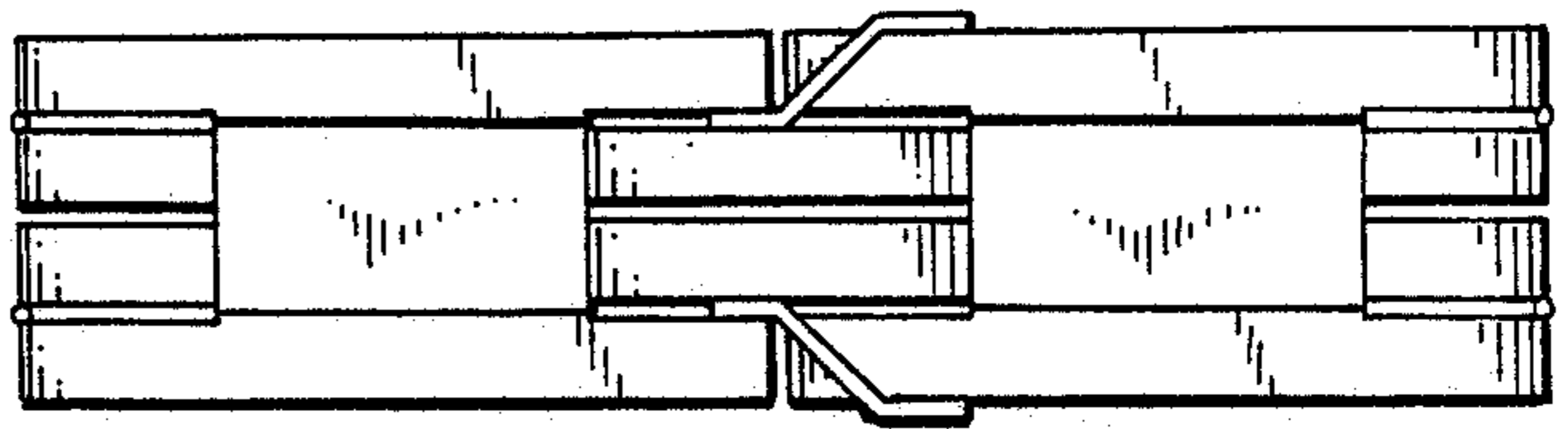


Fig. 3

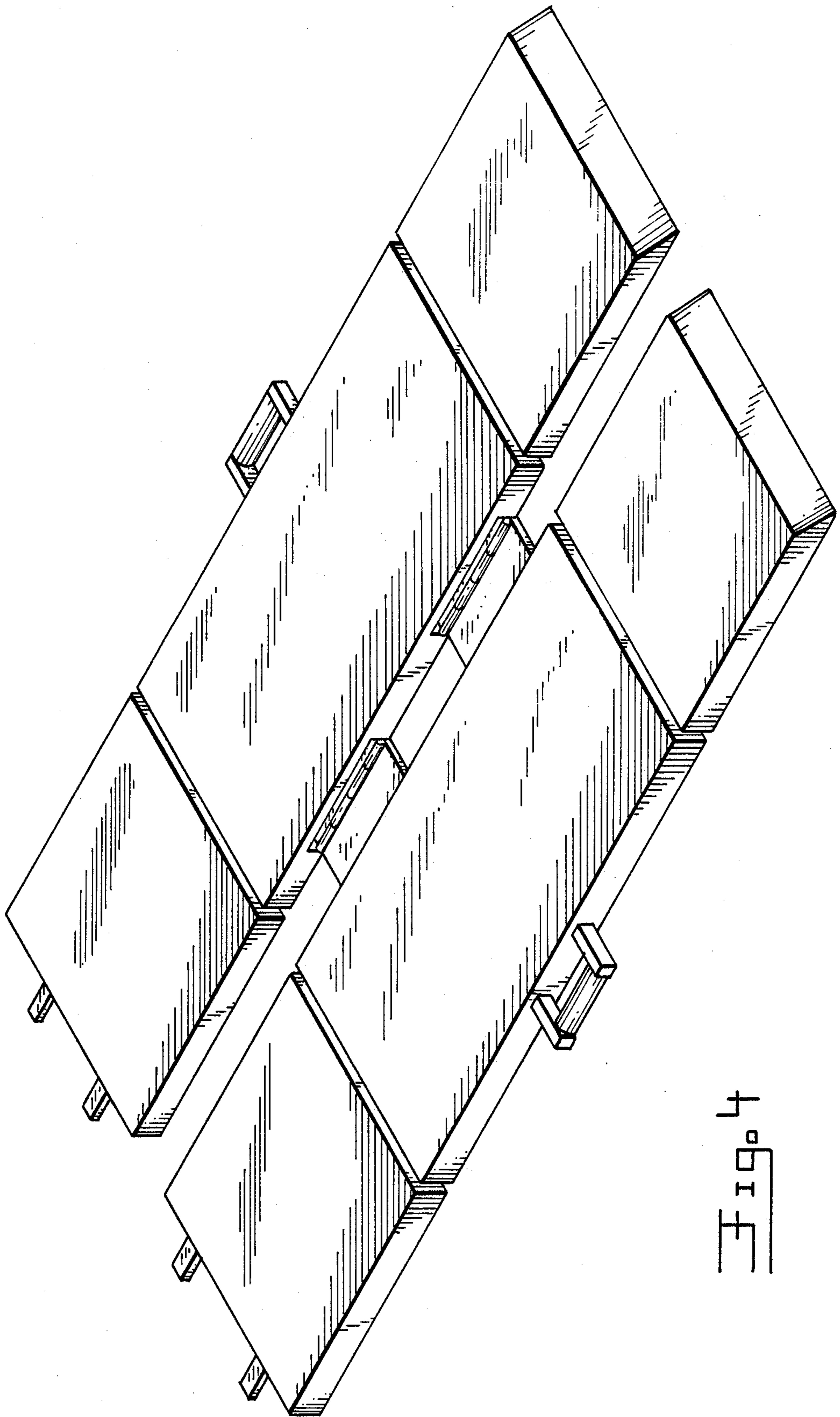


FIG. 4

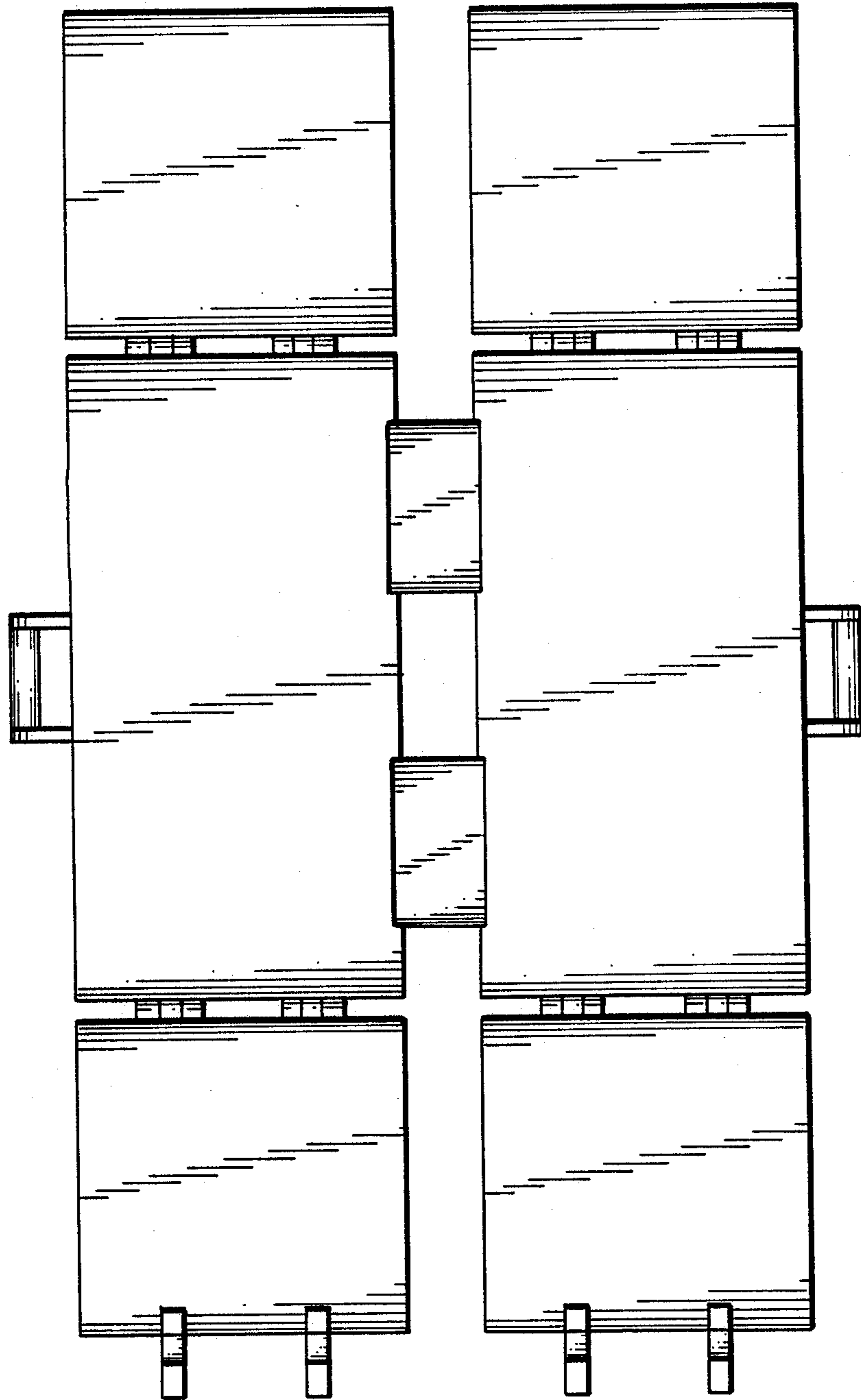


FIG. 5