

[54] LIFTING BED ACCESSORY FOR THE REPAIR OF VEHICLE BODIES

[75] Inventor: Germain Celette, Vienne, France

[73] Assignee: Celette S. A., Vienne, France

[\*\*] Term: 14 Years

[21] Appl. No.: 924,167

[22] Filed: Oct. 28, 1986

[30] Foreign Application Priority Data

Apr. 28, 1986 [WO] World Int. Prop. O. .... GM/006843

[52] U.S. Cl. .... D34/31; D34/28

[58] Field of Search ..... D34/28, 31, 32; 254/102, 88, 93 H, 133 R, 86 R; 248/352, 351, 354

[56] References Cited

U.S. PATENT DOCUMENTS

- D. 233,883 12/1974 Van Anrooy ..... D34/31
- 1,559,667 11/1925 Birnbaum et al. .... 254/102
- 2,033,503 3/1936 Adell ..... 254/102

- 2,053,646 9/1936 Whalen ..... 254/88
- 2,054,025 9/1936 Snell ..... 254/102
- 2,057,870 10/1936 Adell ..... 254/102
- 3,891,177 6/1975 Jerrell ..... 248/352
- 4,402,487 9/1983 Donnelly ..... 254/133 R
- 4,432,531 2/1984 Bevans et al. .... 254/133 R
- 4,616,807 10/1986 Cheng ..... 254/93 H

Primary Examiner—Wallace R. Burke  
Assistant Examiner—Kay H. Chin  
Attorney, Agent, or Firm—Young & Thompson

[57] CLAIM

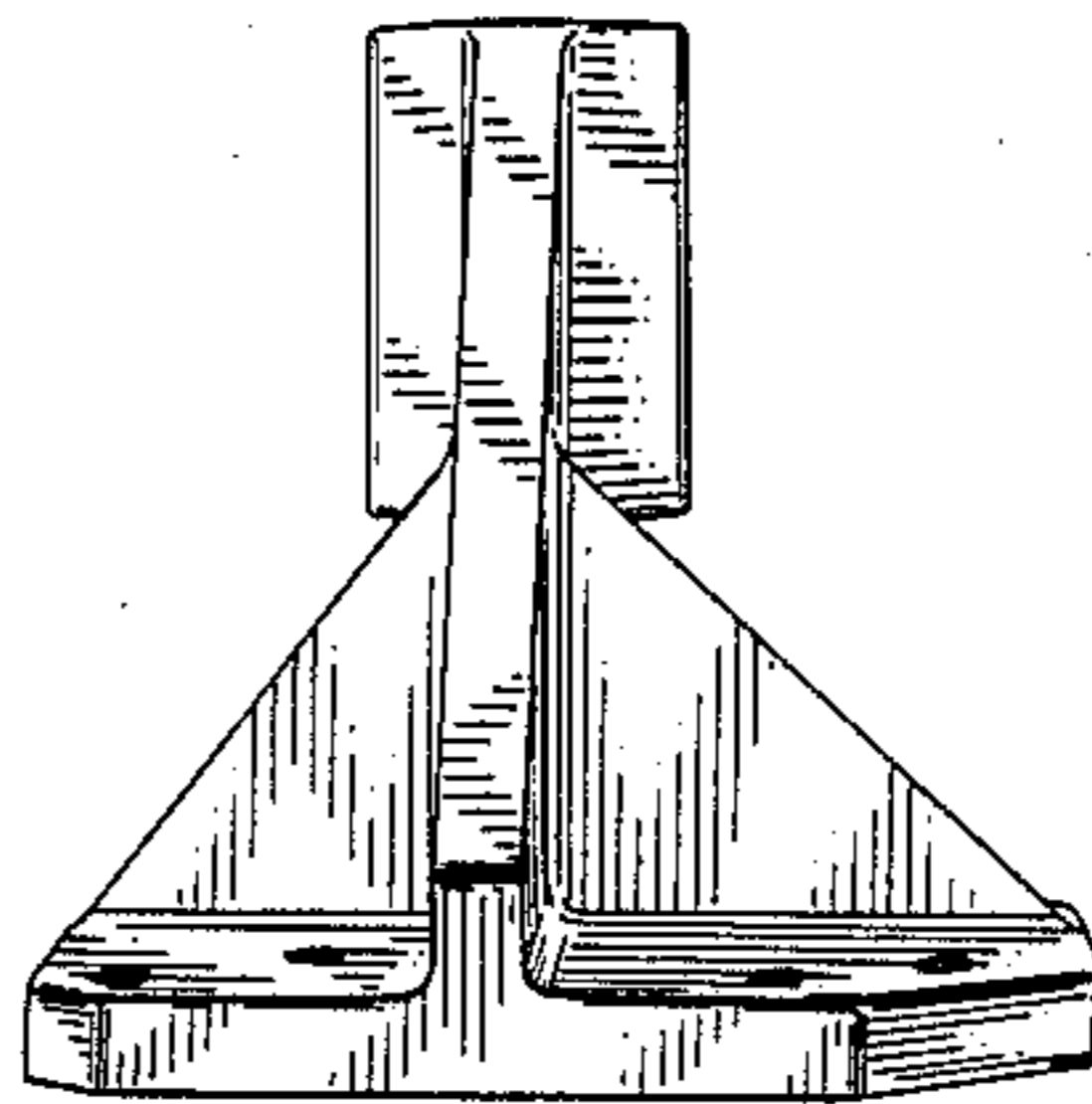
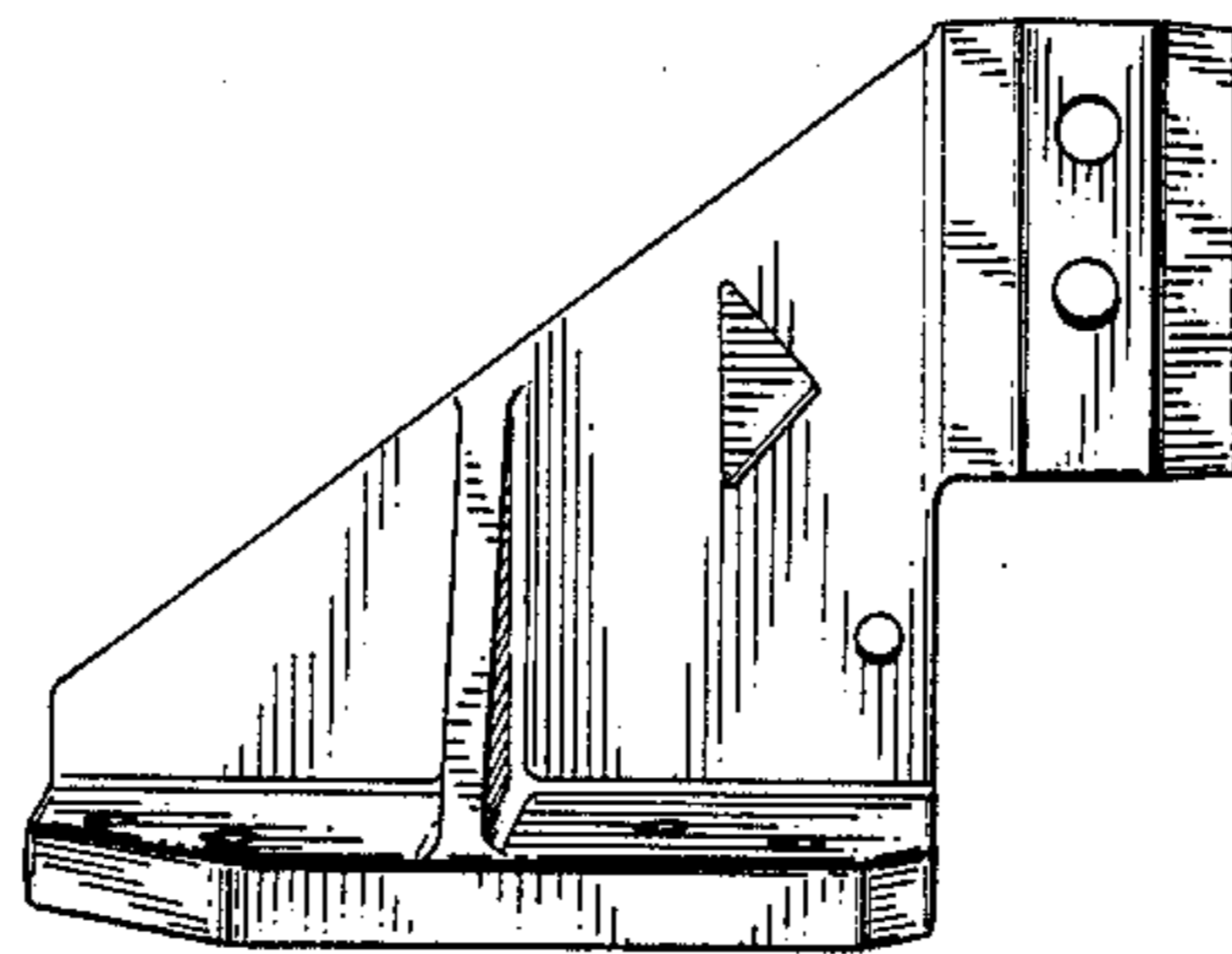
The ornamental design for a lifting bed accessory for the repair of vehicle bodies, as shown and described.

DESCRIPTION

FIG. 1 is a front perspective view of a lifting bed accessory for the repair of vehicle bodies, showing my new design;

FIG. 2 is a side perspective view from the left of FIG. 1;

FIG. 3 is a rear perspective view thereof; and  
FIG. 4 is a top perspective view thereof.



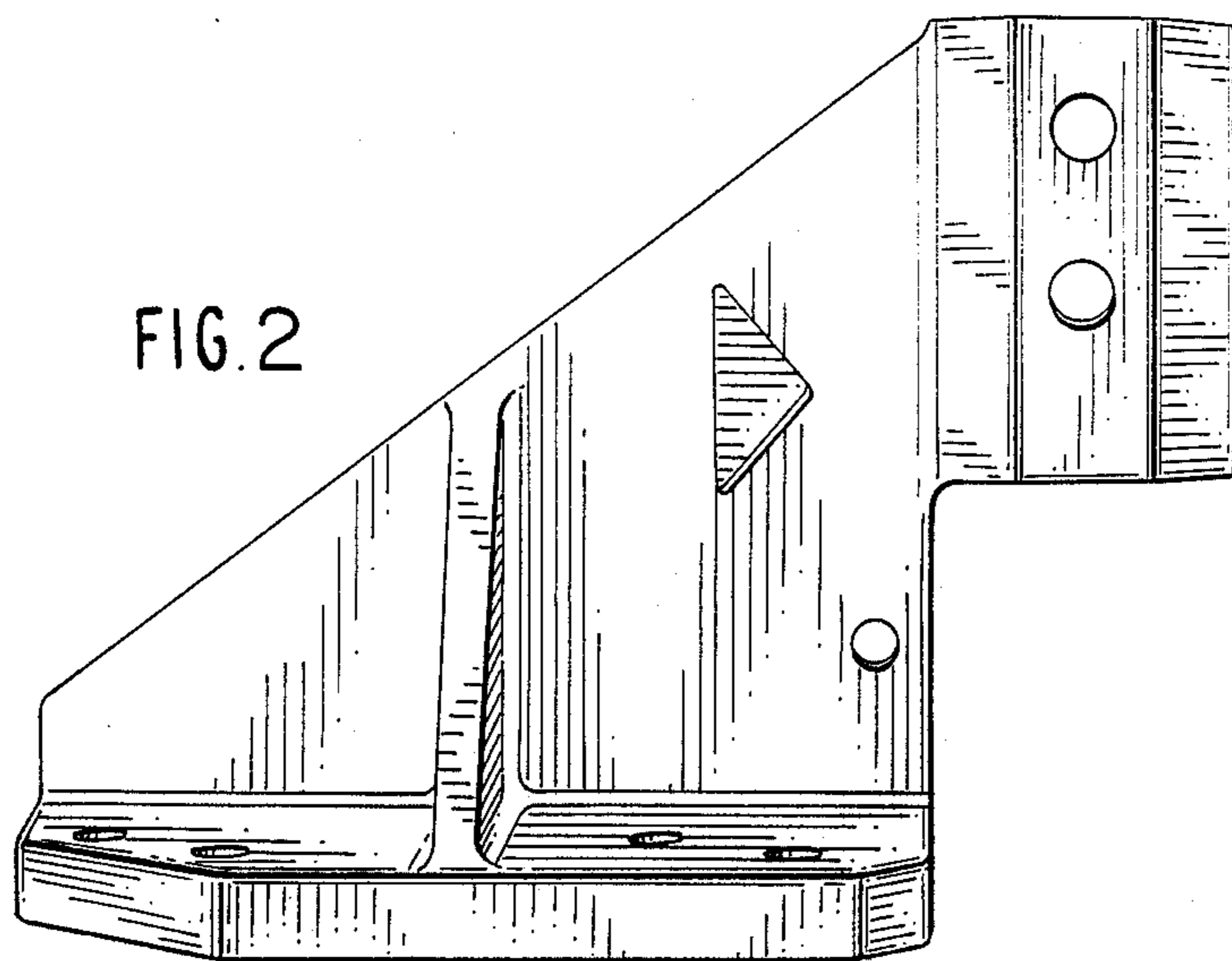


FIG. 2

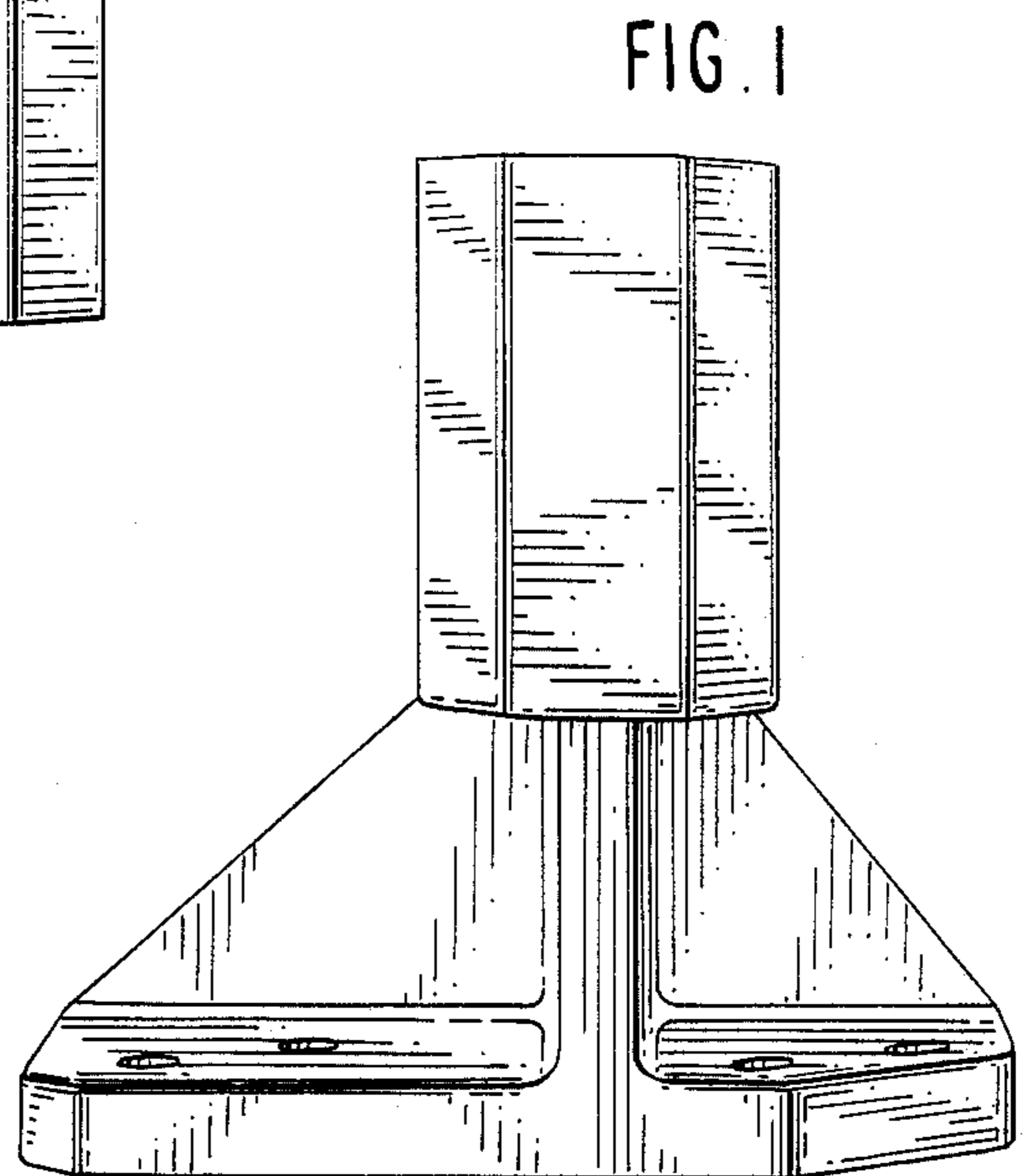


FIG. 1

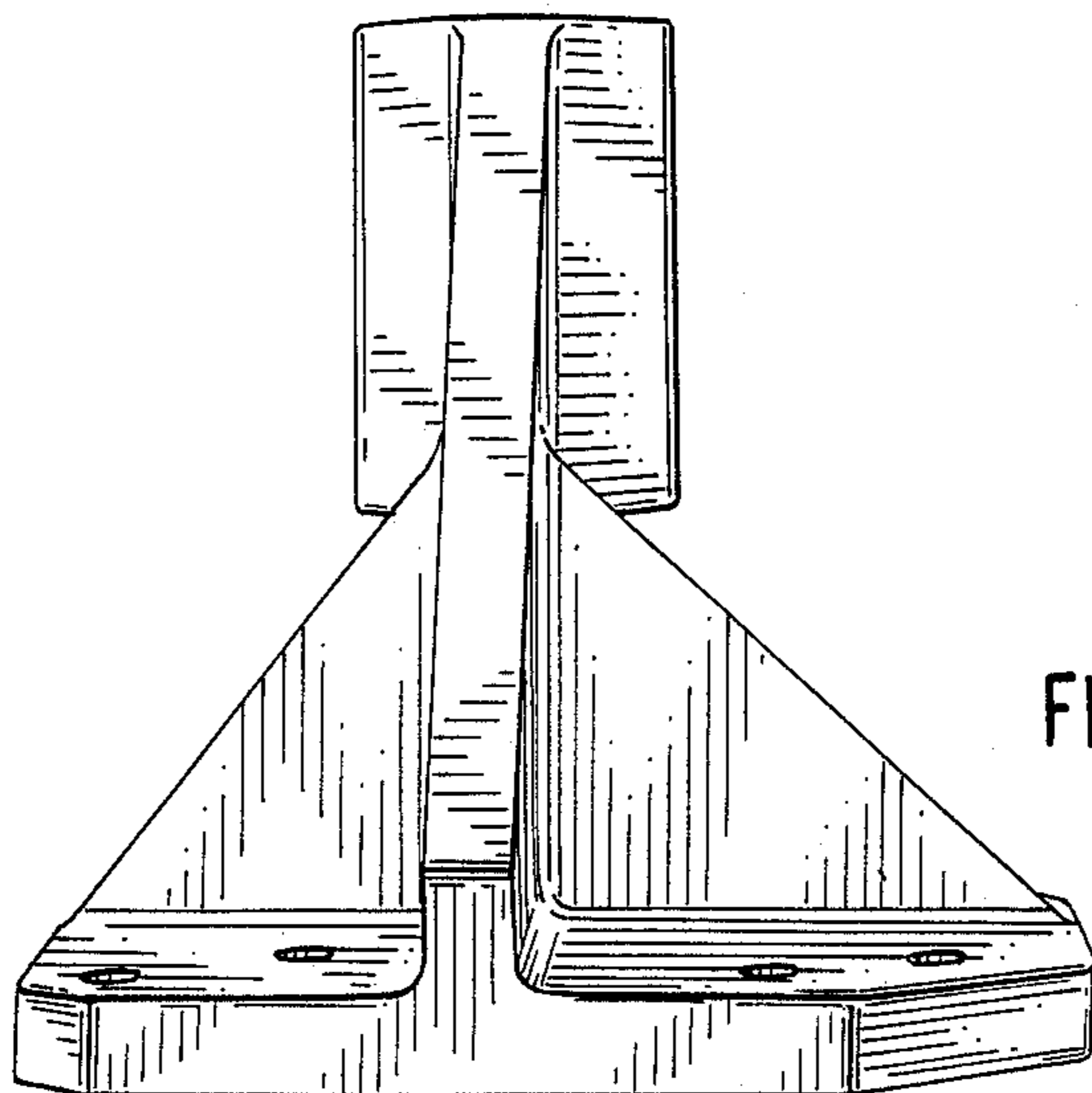


FIG. 3

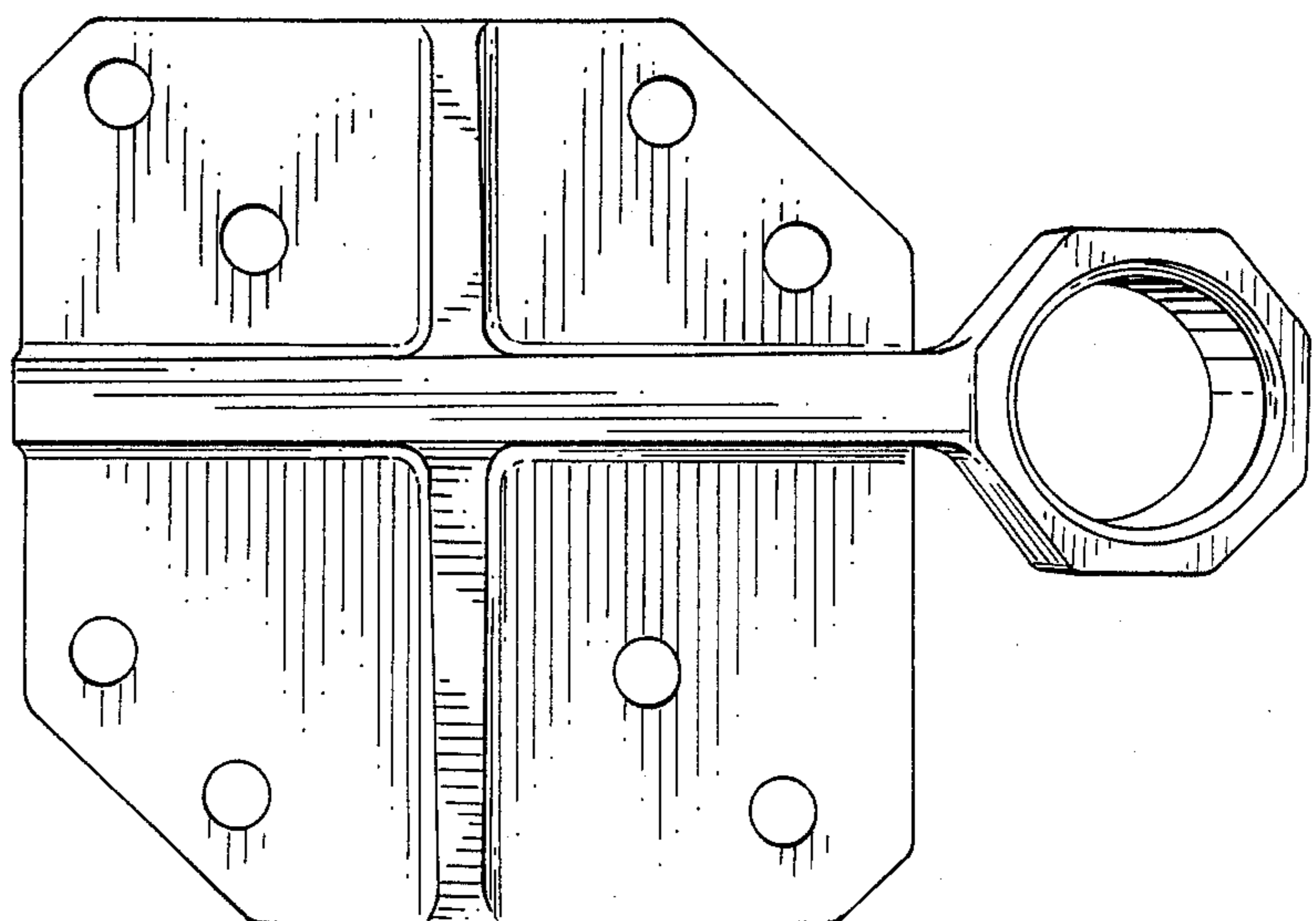


FIG. 4