

[54] **ENVELOPE CONVEYOR/STACKER**

[75] **Inventor:** Edward A. Krpotich, Los Altos, Calif.
[73] **Assignee:** Omaton Corporation, Mountain View, Calif.
[**] **Term:** 14 Years
[21] **Appl. No.:** 904,258
[22] **Filed:** Sep. 5, 1986
[52] **U.S. Cl.** D34/29
[58] **Field of Search** D34/29, 28; 198/860.3, 198/836; D18/12, 13, 22, 99; 271/202, 216, 72, 198

[56] **References Cited**

U.S. PATENT DOCUMENTS

D. 248,225	6/1978	Casteel	D34/29
D. 250,701	1/1979	Krupotich	D34/29
D. 254,059	1/1980	Krupotich	D34/29
D. 278,250	4/1985	Rosensweig	D18/22
4,199,053	4/1980	Casteel	198/836
4,650,067	3/1987	Brulé	198/860.3

FOREIGN PATENT DOCUMENTS

213410 9/1984 Fed. Rep. of Germany 198/836

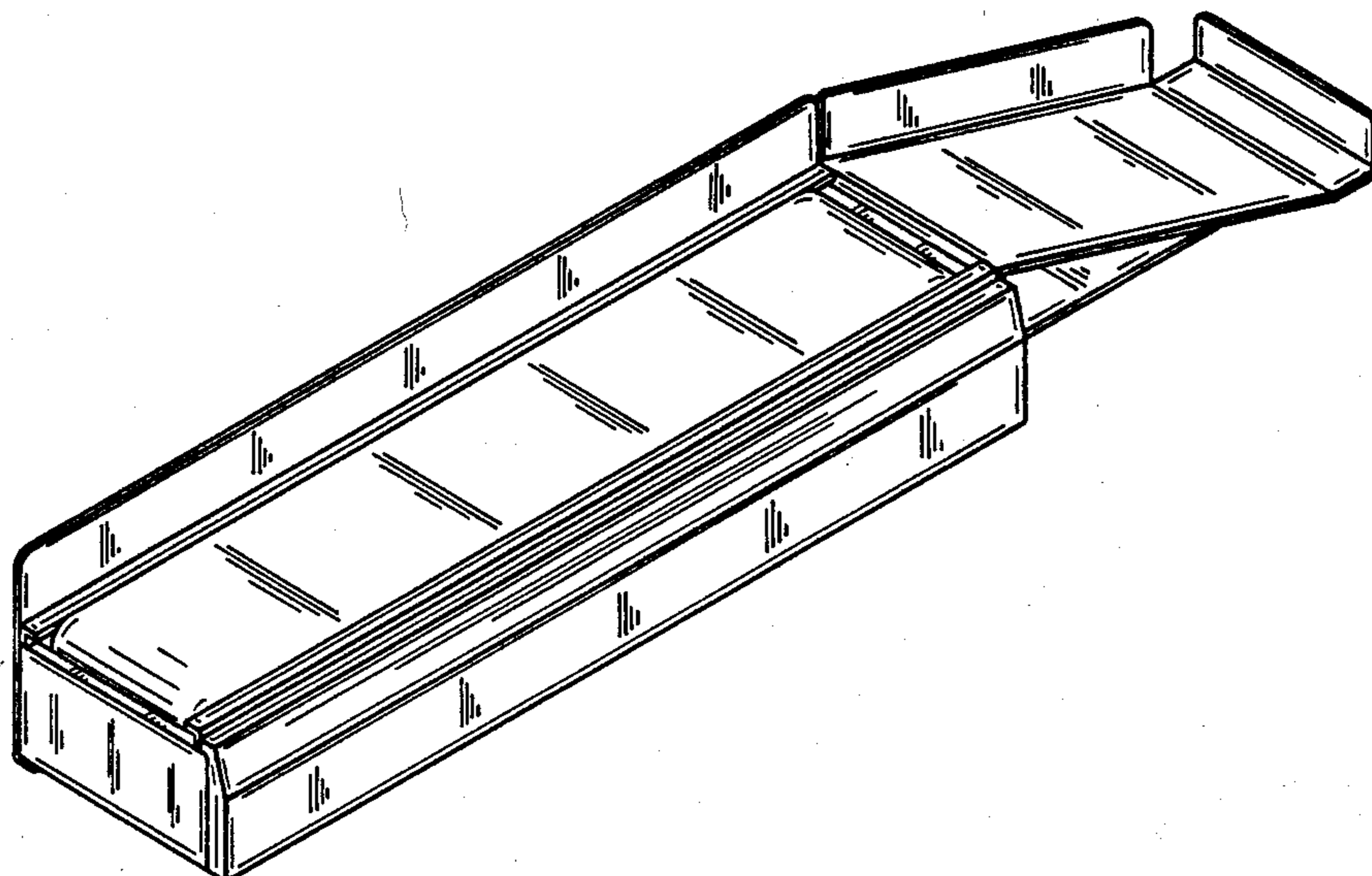
Primary Examiner—Wallace R. Burke
Assistant Examiner—Kay H. Chin
Attorney, Agent, or Firm—Flehr, Hohbach, Test, Albritton & Herbert

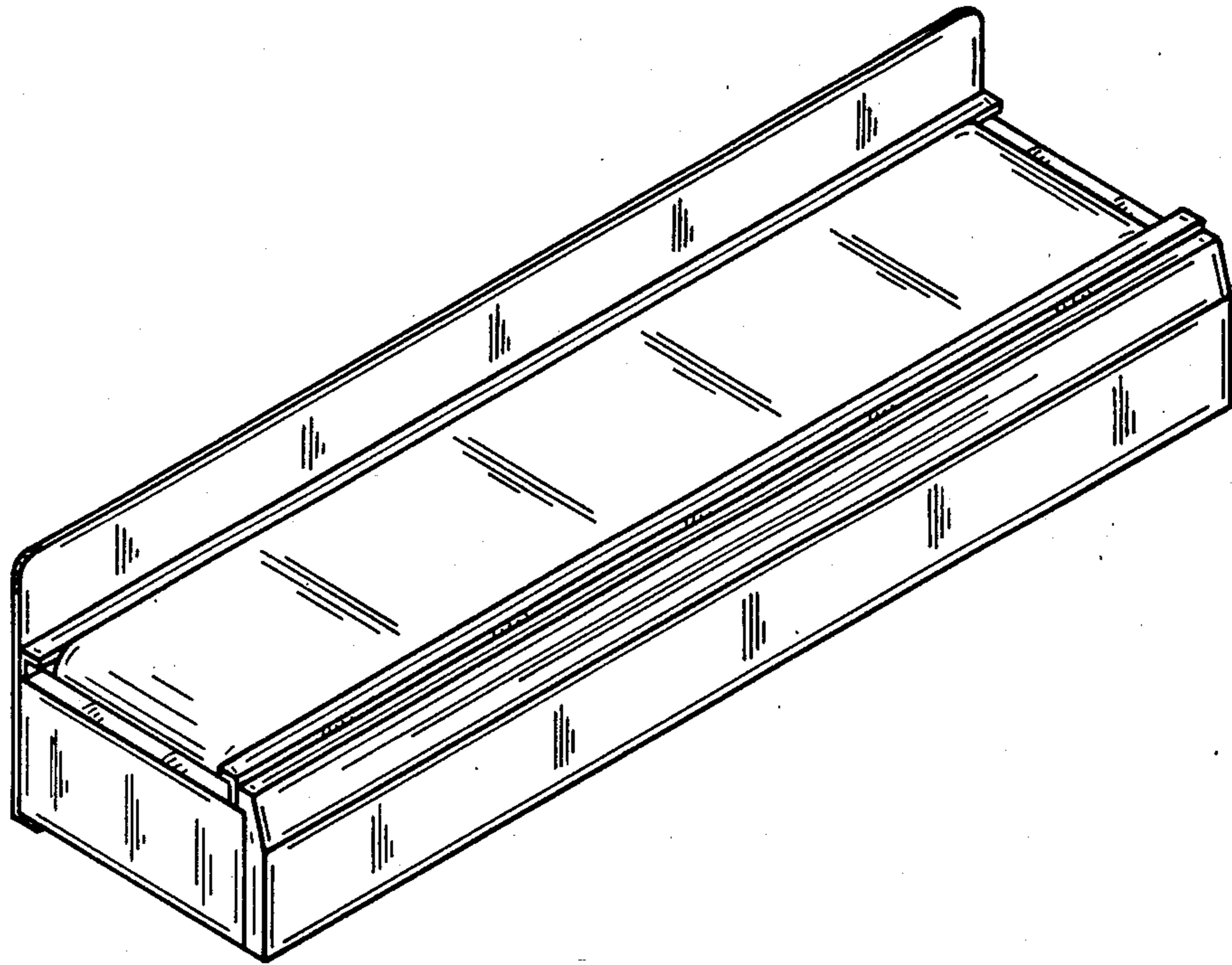
[57] **CLAIM**

The ornamental design for an envelope conveyor/stacker, as shown and described.

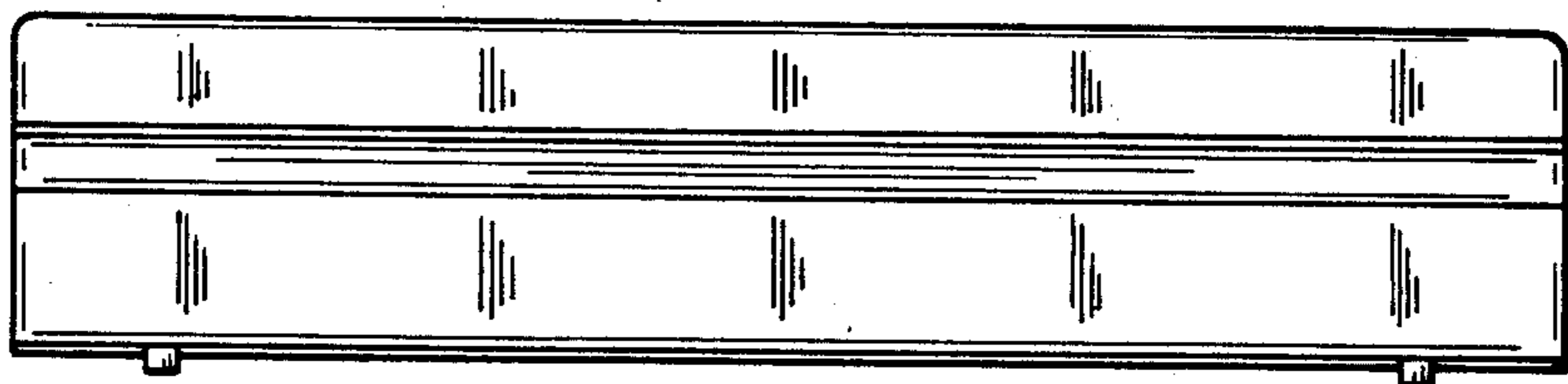
DESCRIPTION

FIG. 1 is a top isometric view of an envelope conveyor/stacker showing my new design;
FIG. 2 is a front elevational view thereof;
FIG. 3 is a top plan view thereof;
FIG. 4 is a rear elevational view thereof;
FIG. 5 is a bottom plan view thereof;
FIG. 6 is an enlarged left end elevational view thereof;
FIG. 7 is an enlarged right end elevational view thereof;
FIG. 8 is a top isometric view of a second embodiment of an envelope conveyor/stacker;
FIG. 9 is a front elevational view of the embodiment of FIG. 8;
FIG. 10 is a top plan view of the embodiment of FIG. 8;
FIG. 11 is a rear elevational view of the embodiment of FIG. 8;
FIG. 12 is a bottom plan view of the embodiment of FIG. 8;
FIG. 13 is an enlarged left end elevational view of the embodiment of FIG. 8;
FIG. 14 is an enlarged right end elevational view of the embodiment of FIG. 8;
FIG. 15 is a top isometric view of a third embodiment of an envelope conveyor/stacker;
FIG. 16 is a front elevational view of the embodiment of FIG. 15;
FIG. 17 is a top plan view of the embodiment of FIG. 15;
FIG. 18 is a rear elevational view of the embodiment of FIG. 15;
FIG. 19 is a bottom plan view of the embodiment of FIG. 15;
FIG. 20 is an enlarged left end elevational view of the embodiment of FIG. 15; and,
FIG. 21 is an enlarged right end elevational view of the embodiment of FIG. 15.

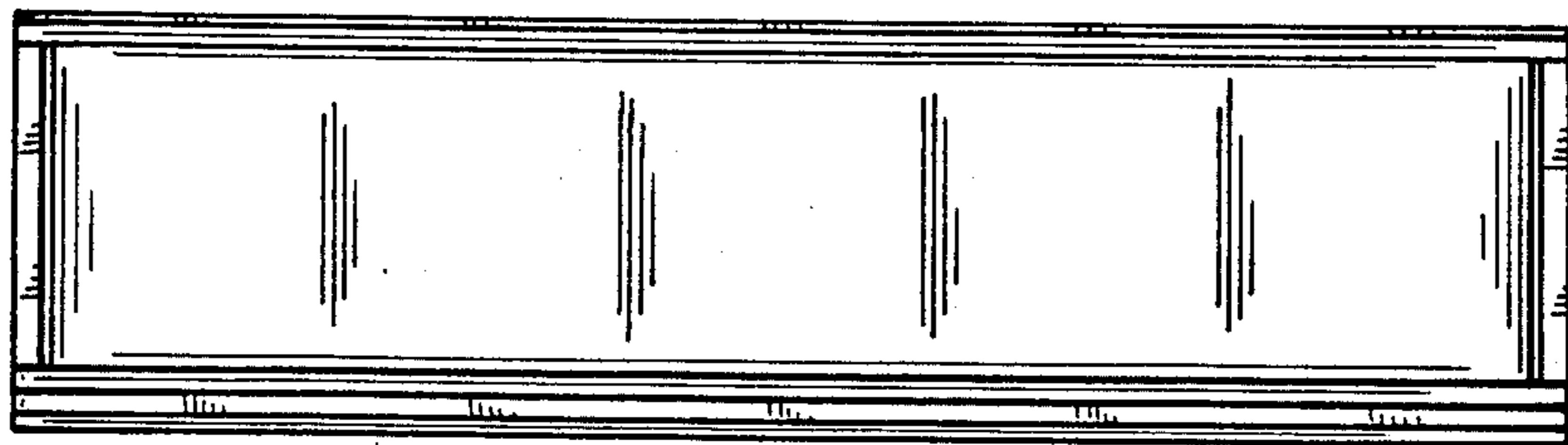




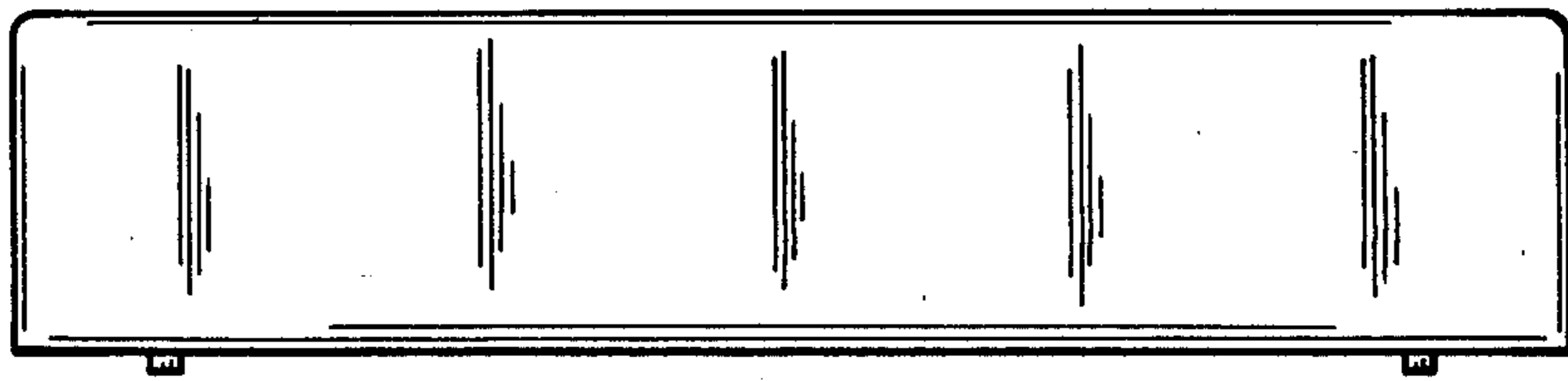
FIG_1



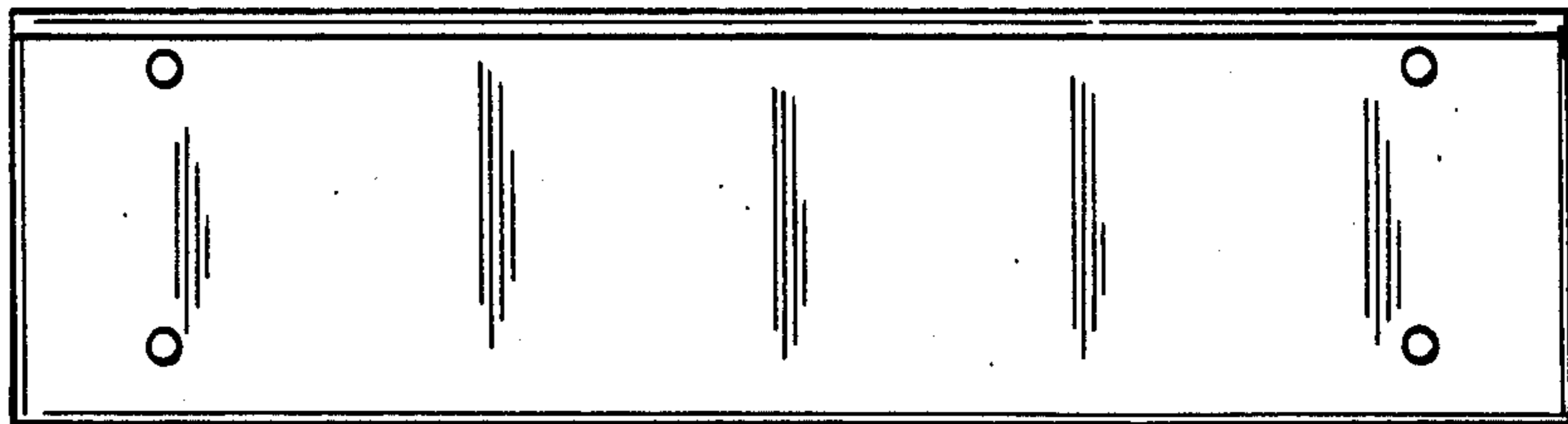
FIG_2



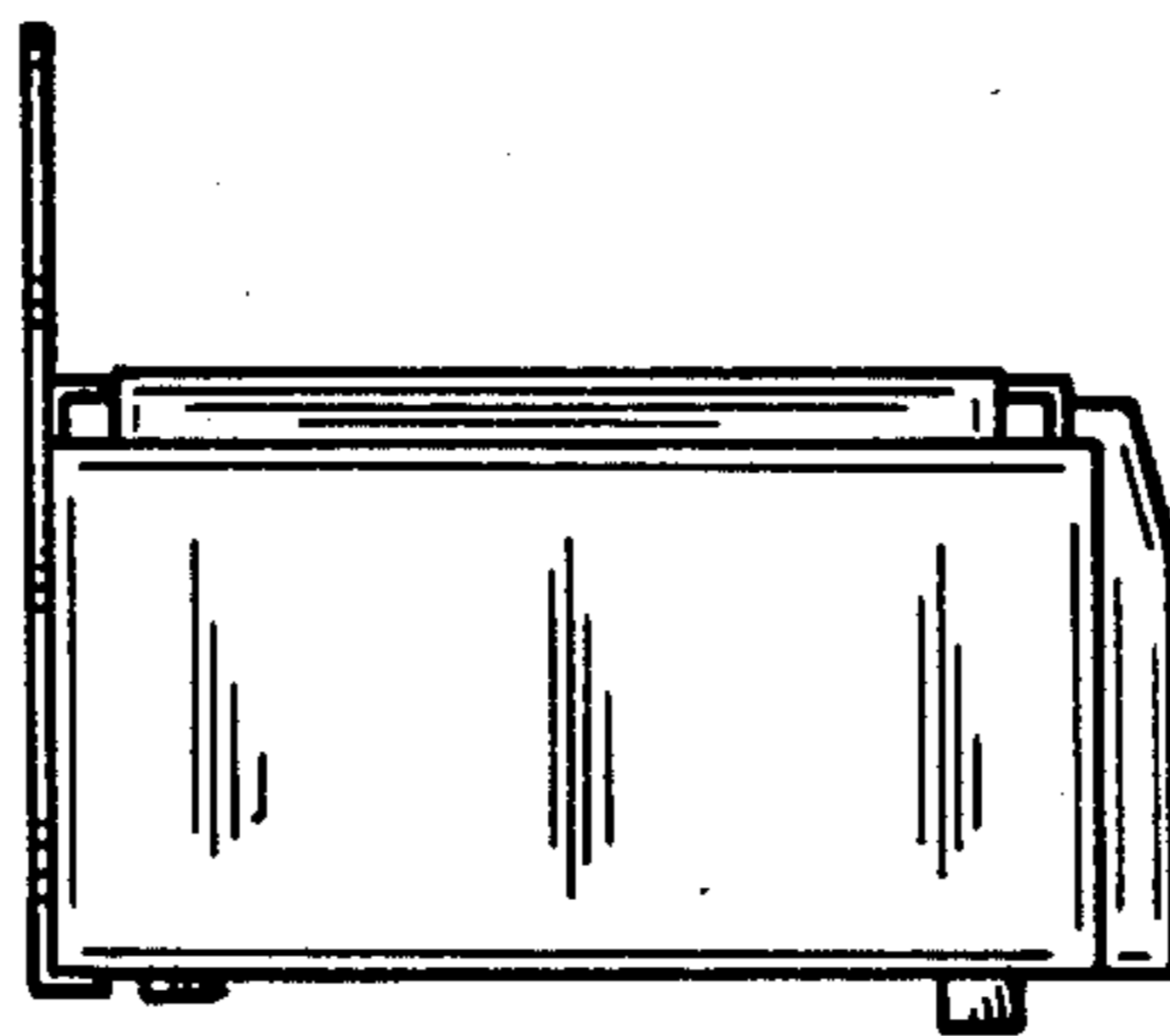
FIG_3



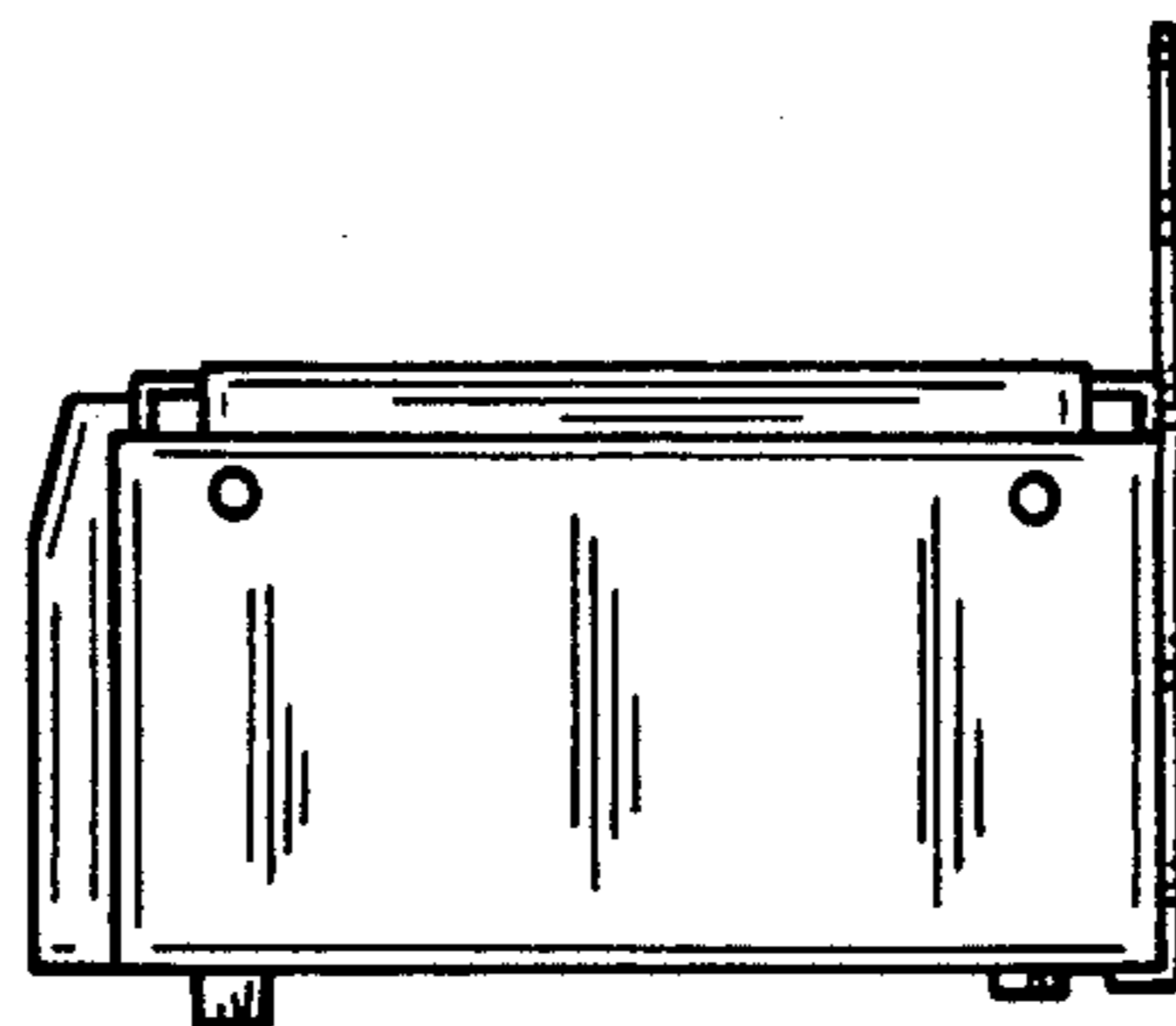
FIG_4



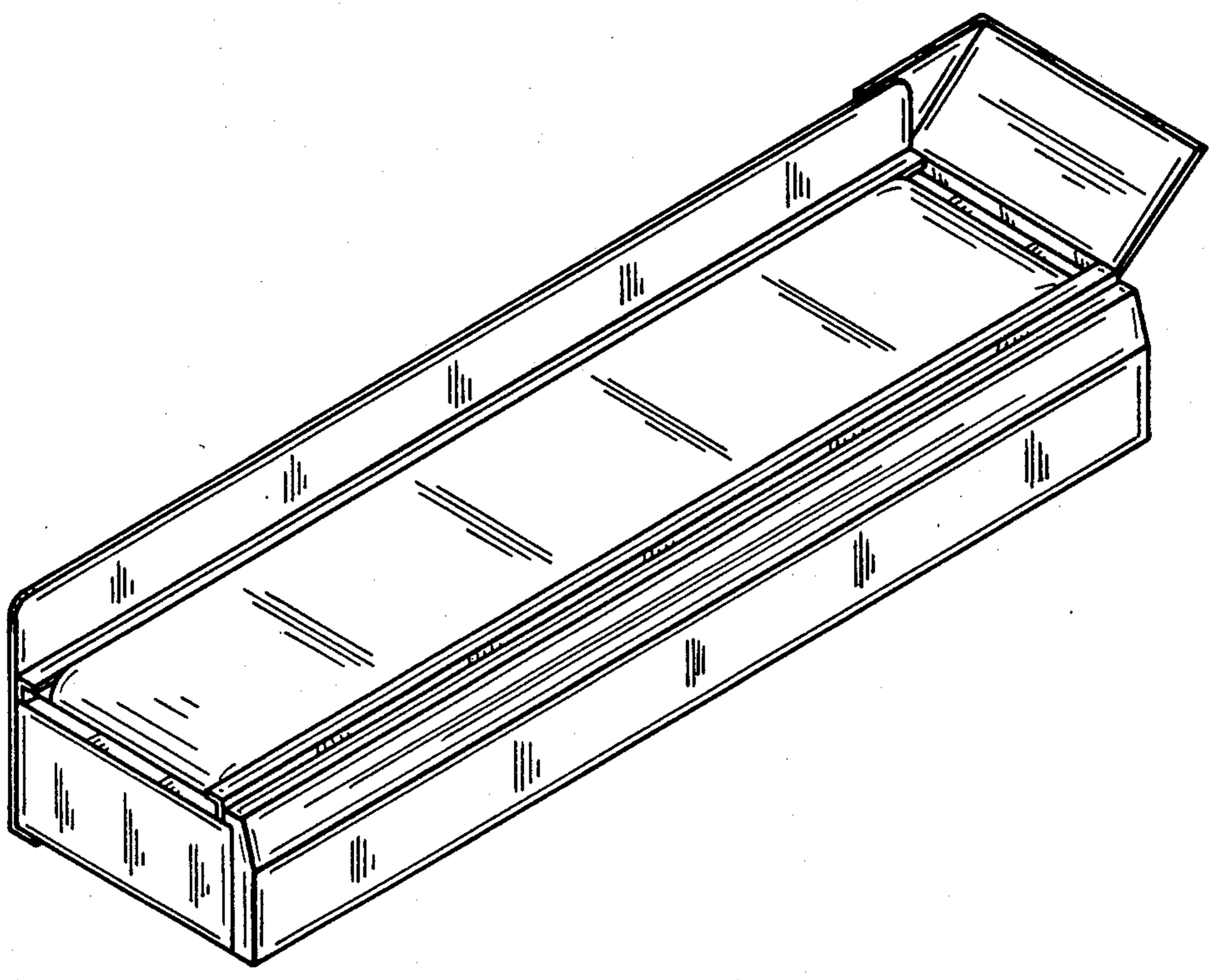
FIG_5



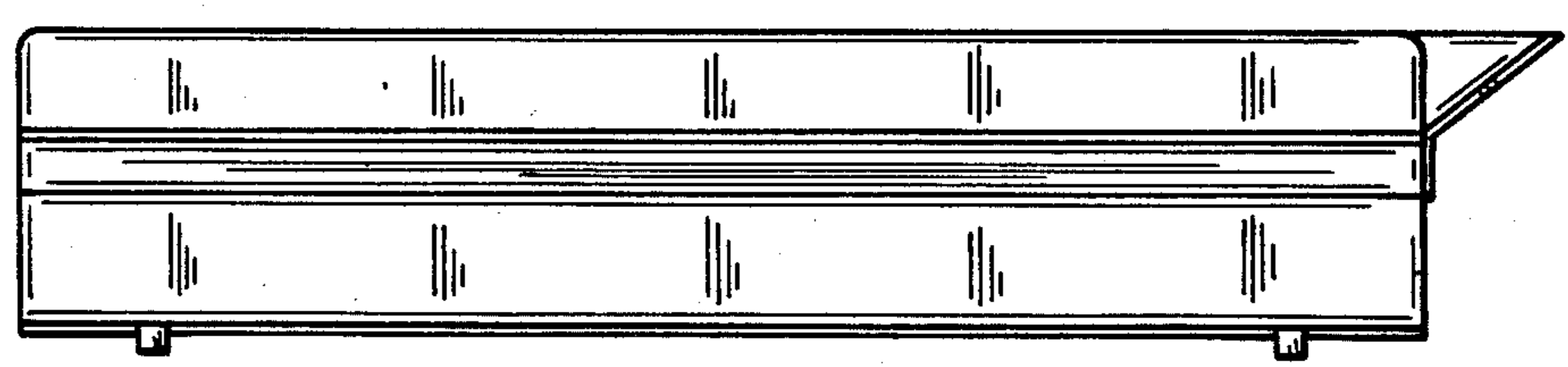
FIG_6



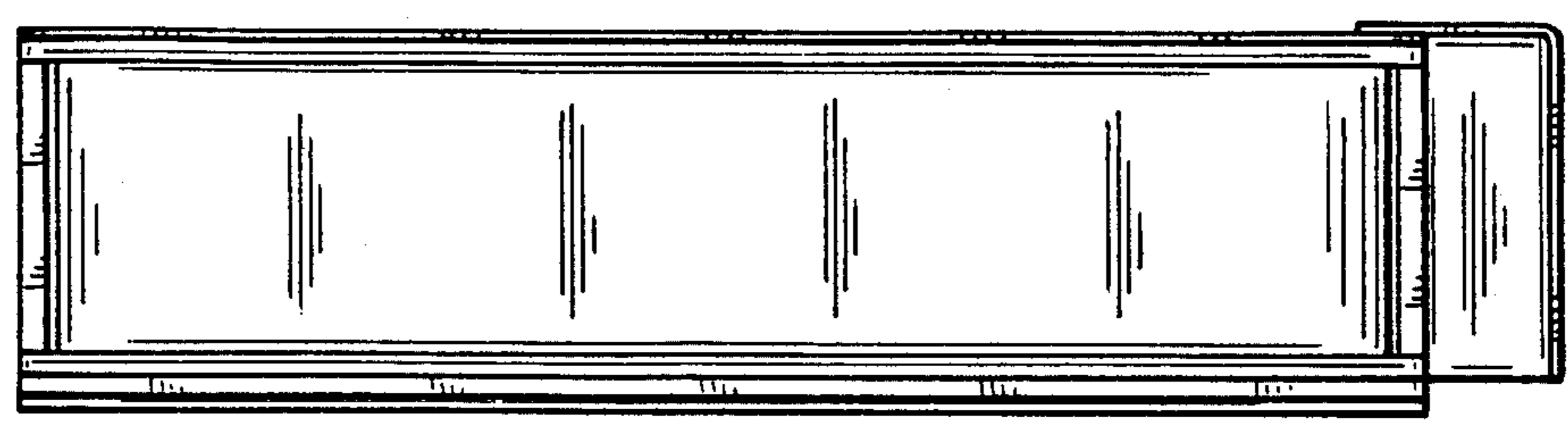
FIG_7



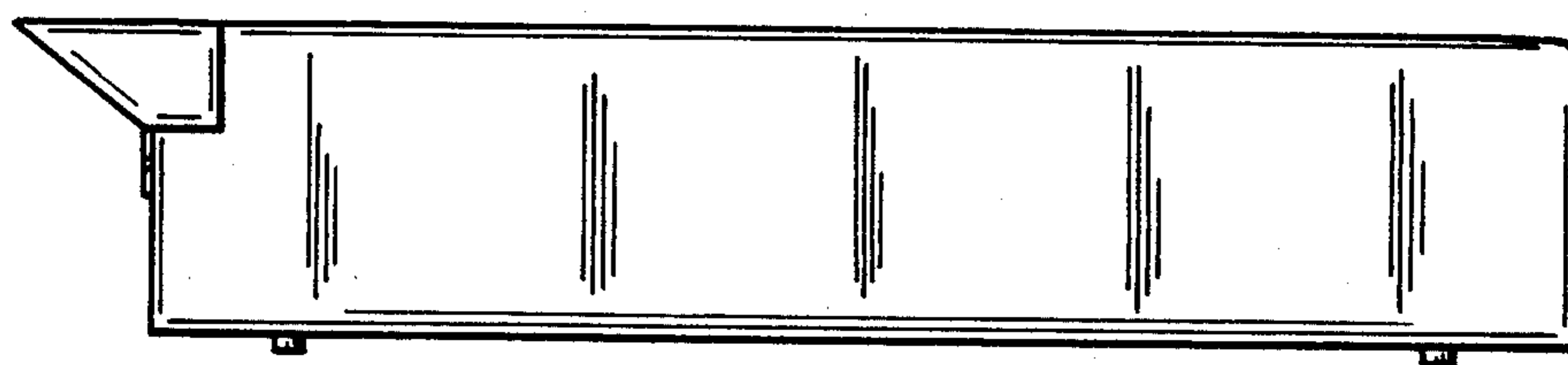
FIG_8



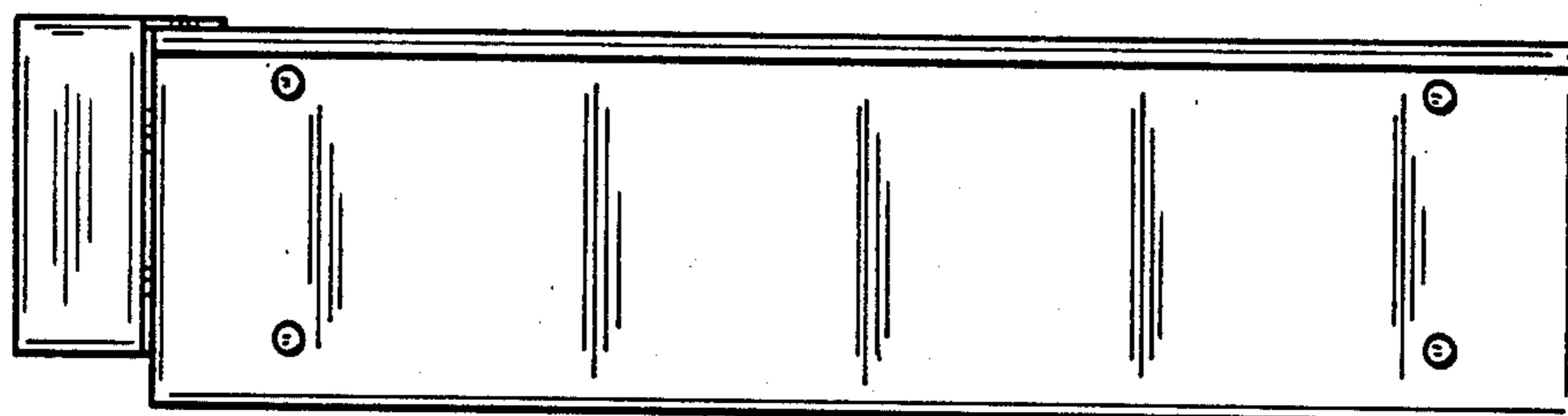
FIG_9



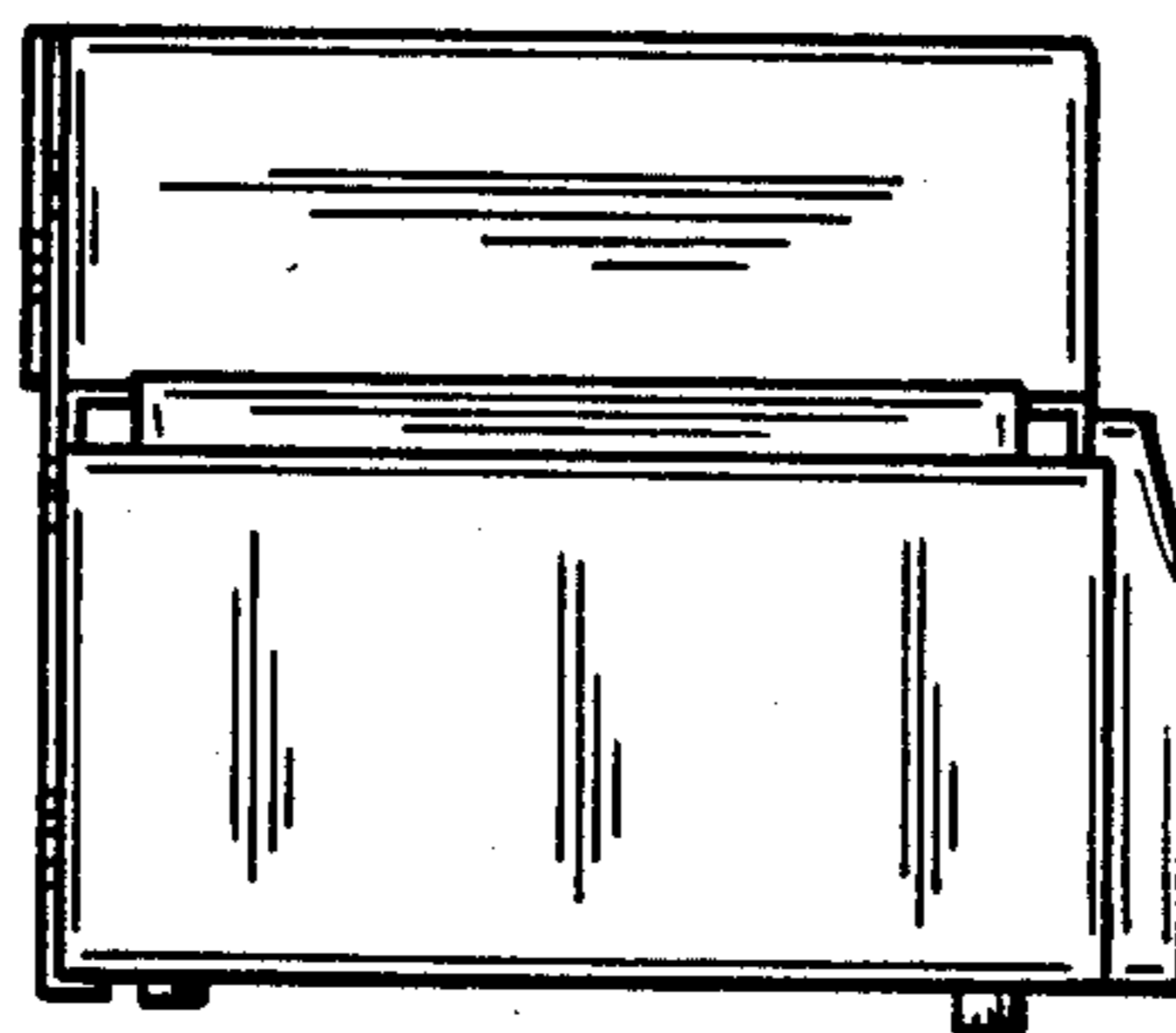
FIG_10



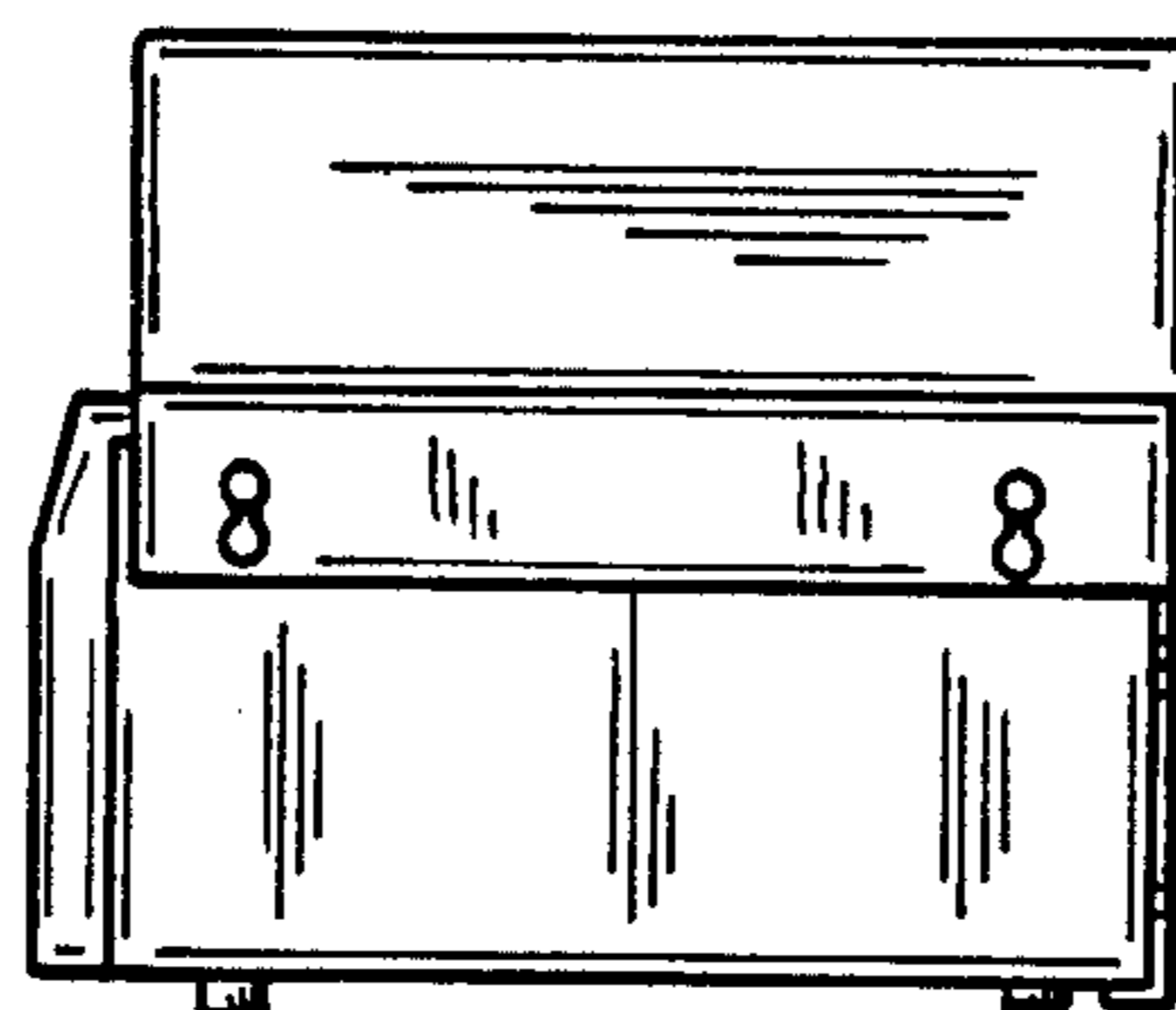
FIG_11



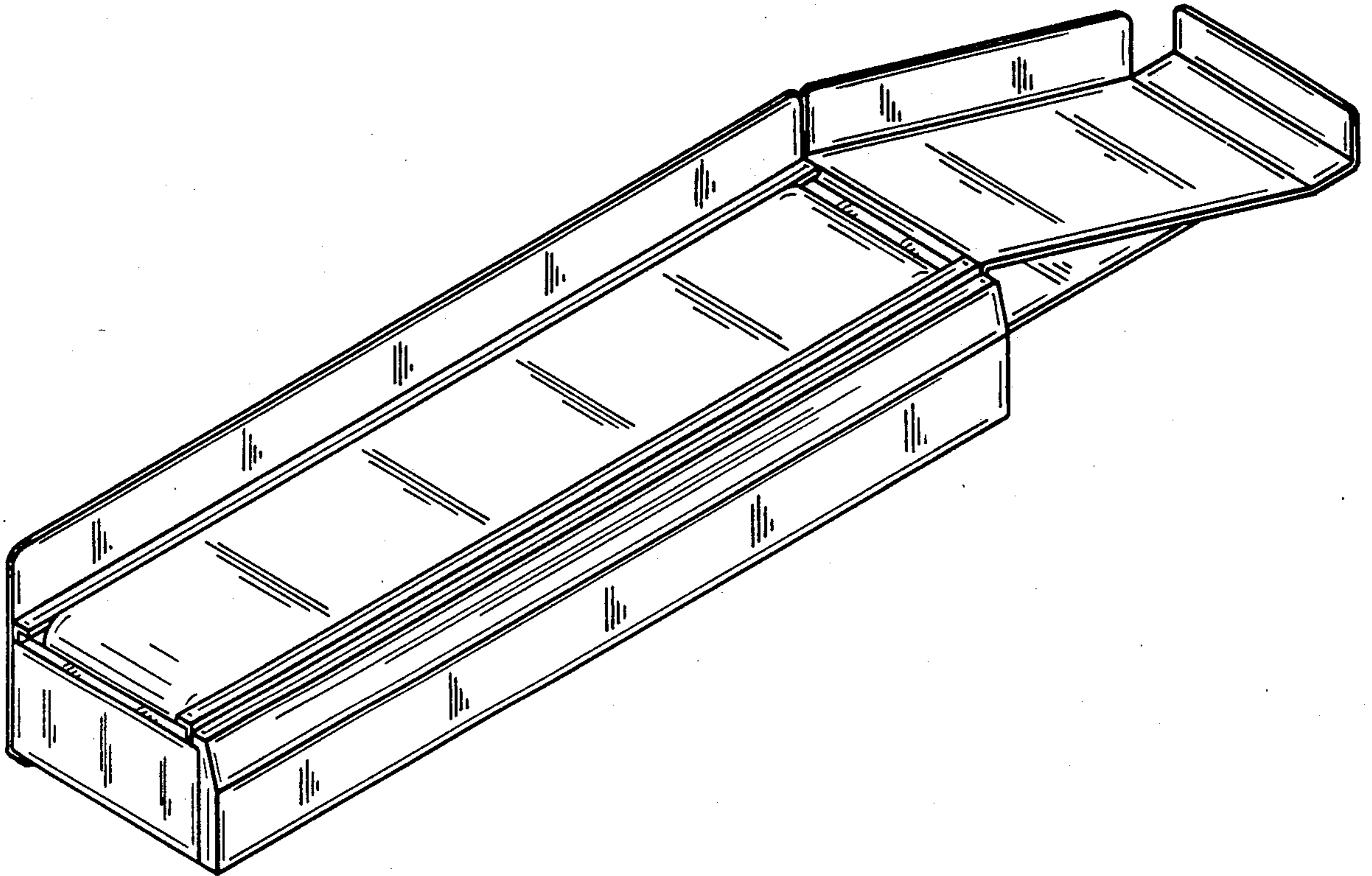
FIG_12



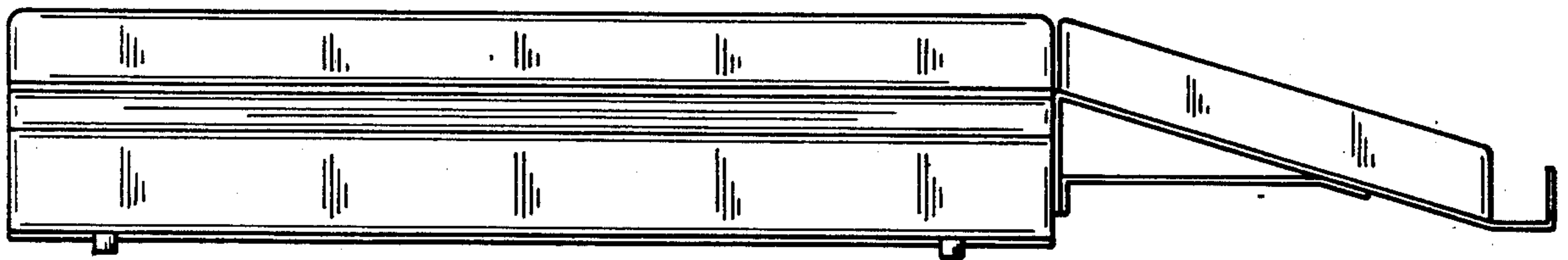
FIG_13



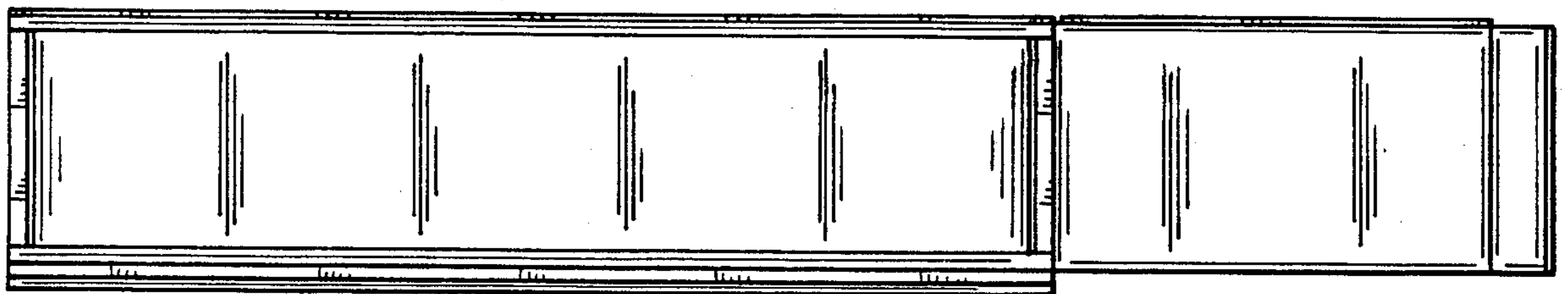
FIG_14



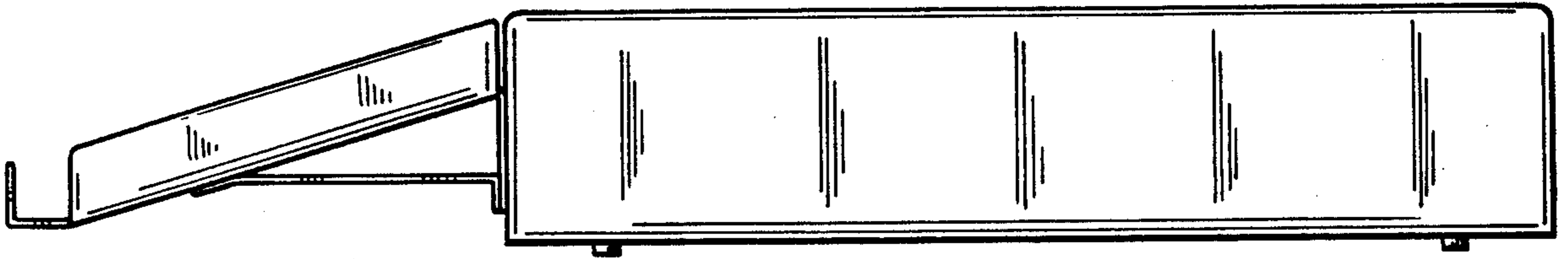
FIG_15



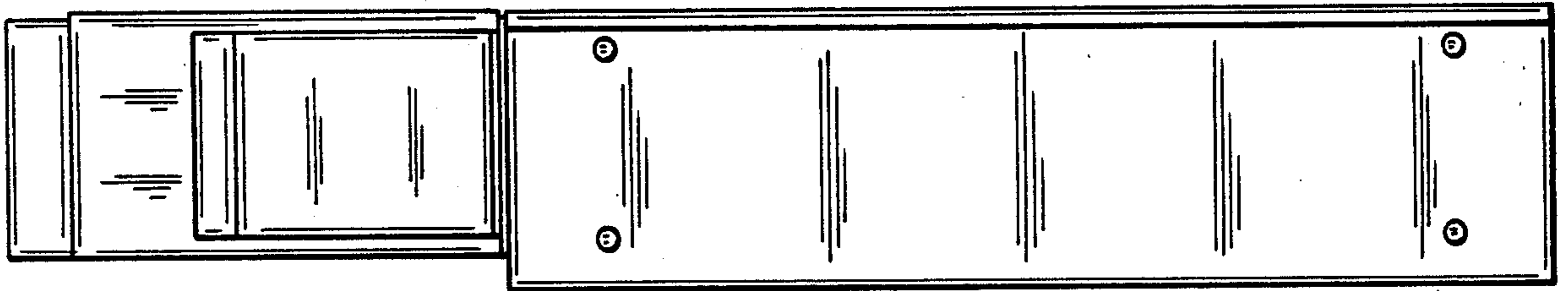
FIG_16



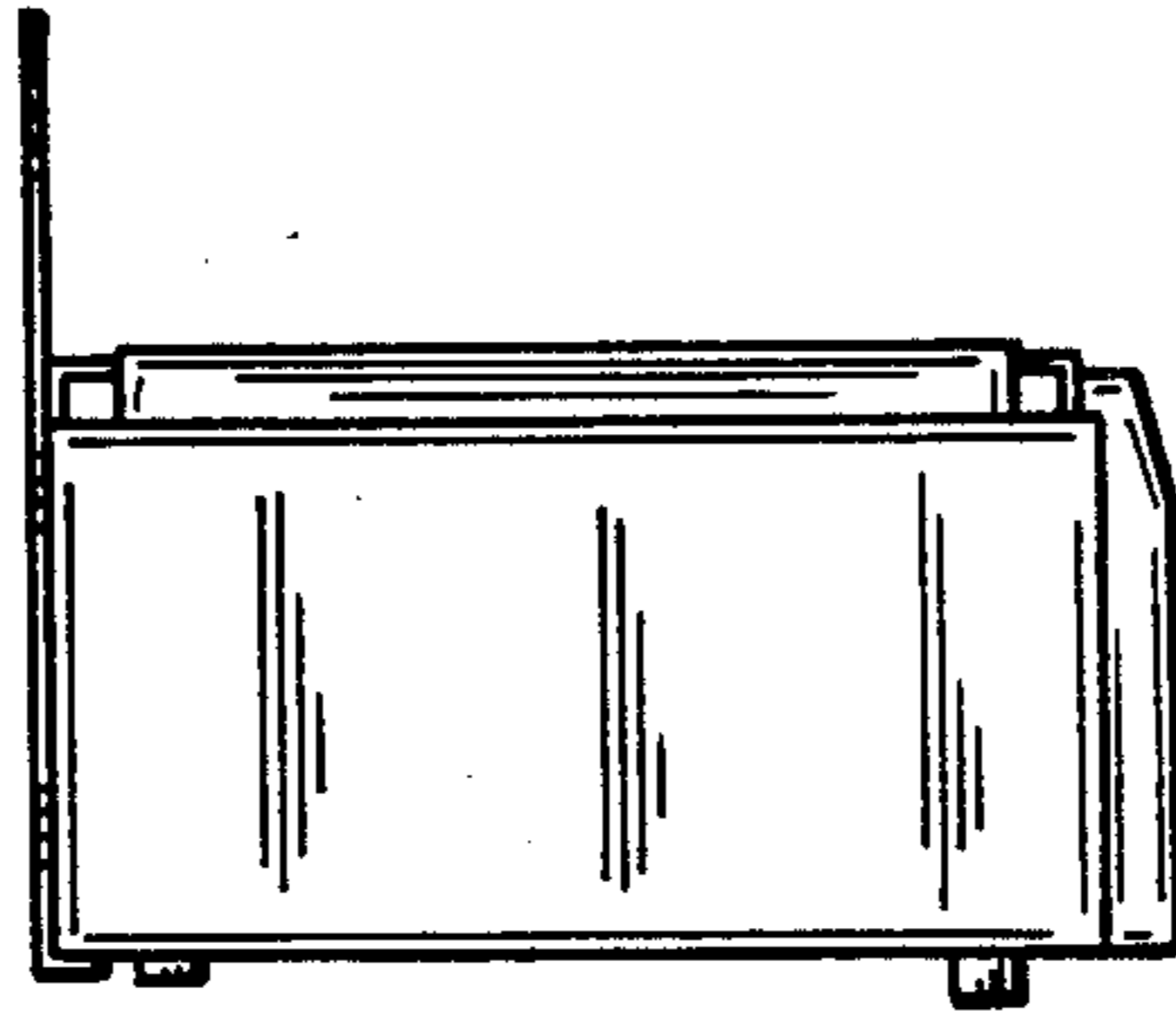
FIG_17



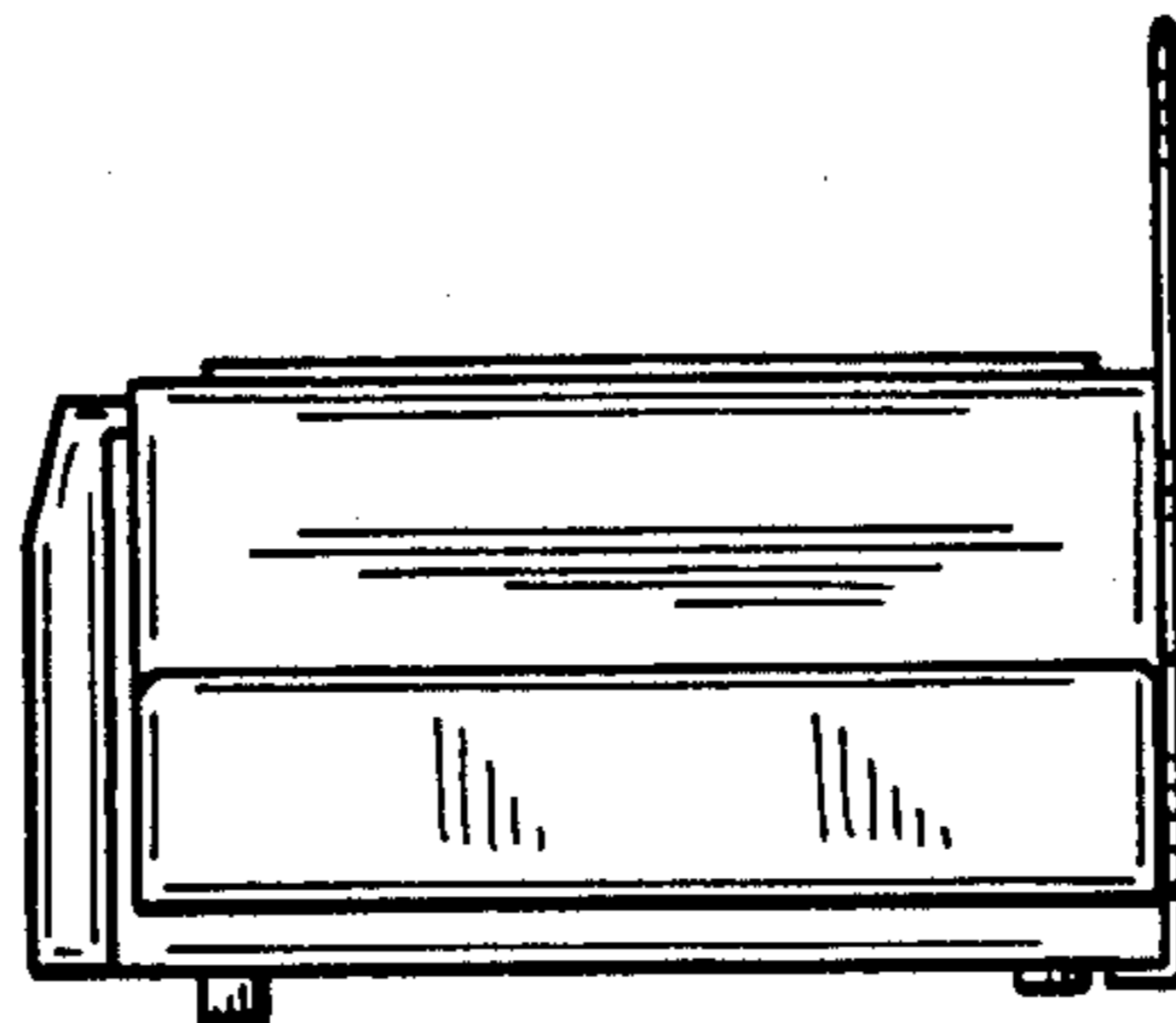
FIG_18



FIG_19



FIG_20



FIG_21