

[54] **REFUSE AND STORAGE CONTAINER**

[76] **Inventor: Don Kracke, 39 Crespa Verde, Rolling Hills Estates, Calif. 90274**

[\*\*] **Term: 14 Years**

[21] **Appl. No.: 940,256**

[22] **Filed: Dec. 11, 1986**

[52] **U.S. Cl. .... D34/7; D34/4**

[58] **Field of Search ..... D34/1, 7, 4; 220/72, 220/23.4, 404, 17; 150/50**

[56] **References Cited**

**U.S. PATENT DOCUMENTS**

2,385,127	9/1945	Carlile .....	220/72
2,452,097	10/1948	Bornside .....	D34/7
3,648,882	3/1972	Shelton .....	150/50
4,601,406	7/1986	Dudzik .....	220/72
4,660,594	4/1987	Gocze .....	220/404

**FOREIGN PATENT DOCUMENTS**

1539870 2/1979 United Kingdom ..... 220/23.4

*Primary Examiner*—Wallace R. Burke

*Assistant Examiner*—Kay H. Chin

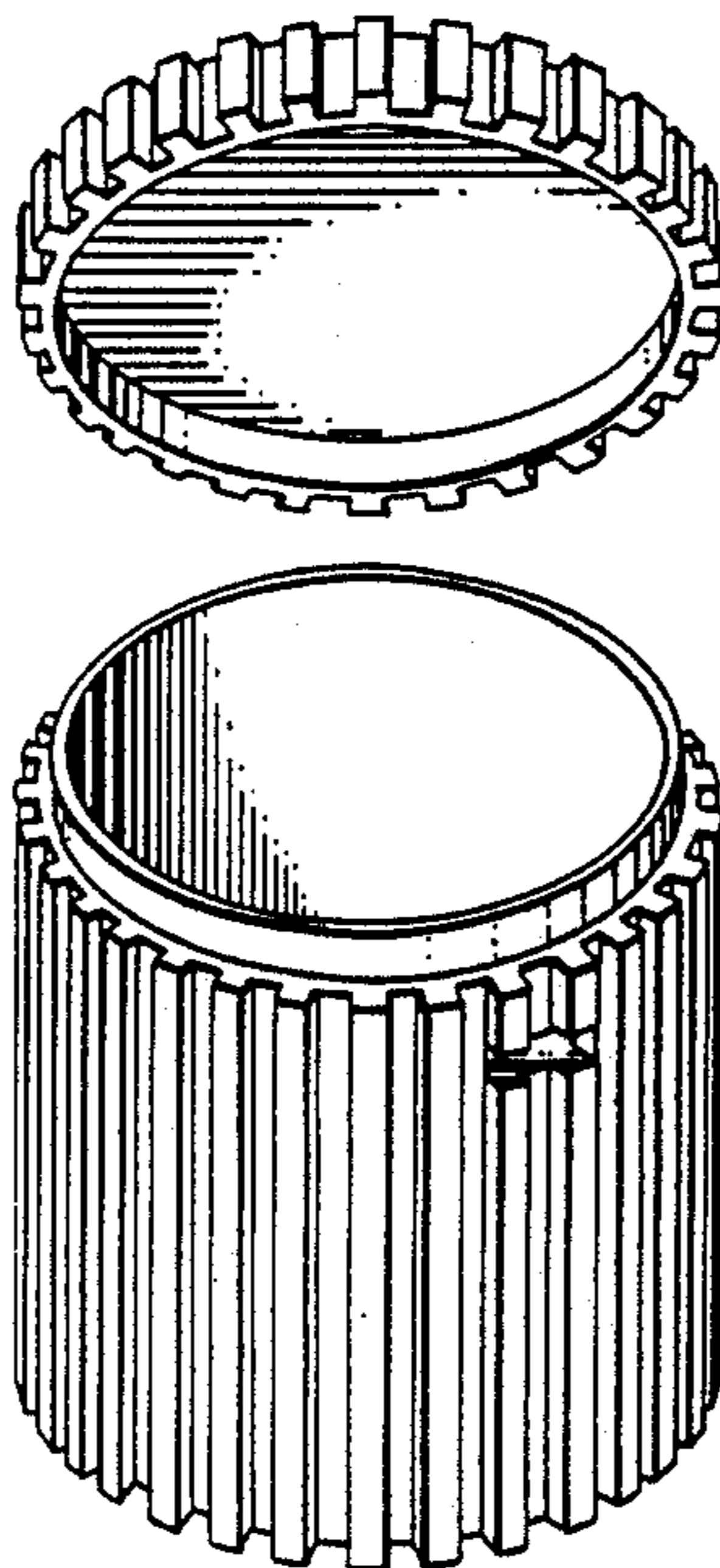
*Attorney, Agent, or Firm*—Kelly, Bauersfeld & Lowry

[57] **CLAIM**

The ornamental design for a refuse and storage container, as shown and described.

**DESCRIPTION**

FIG. 1 is a perspective view of a refuse and storage container showing my new design, the lid is removed from the body of the container for clarity of illustration; FIG. 2 is a front elevational view thereof, the rear elevational view being a mirror image of the front; FIG. 3 is a right side elevational view thereof, the left side elevational view being the mirror image of the right; FIG. 4 is a top plan view thereof; and FIG. 5 is a bottom plan view thereof.



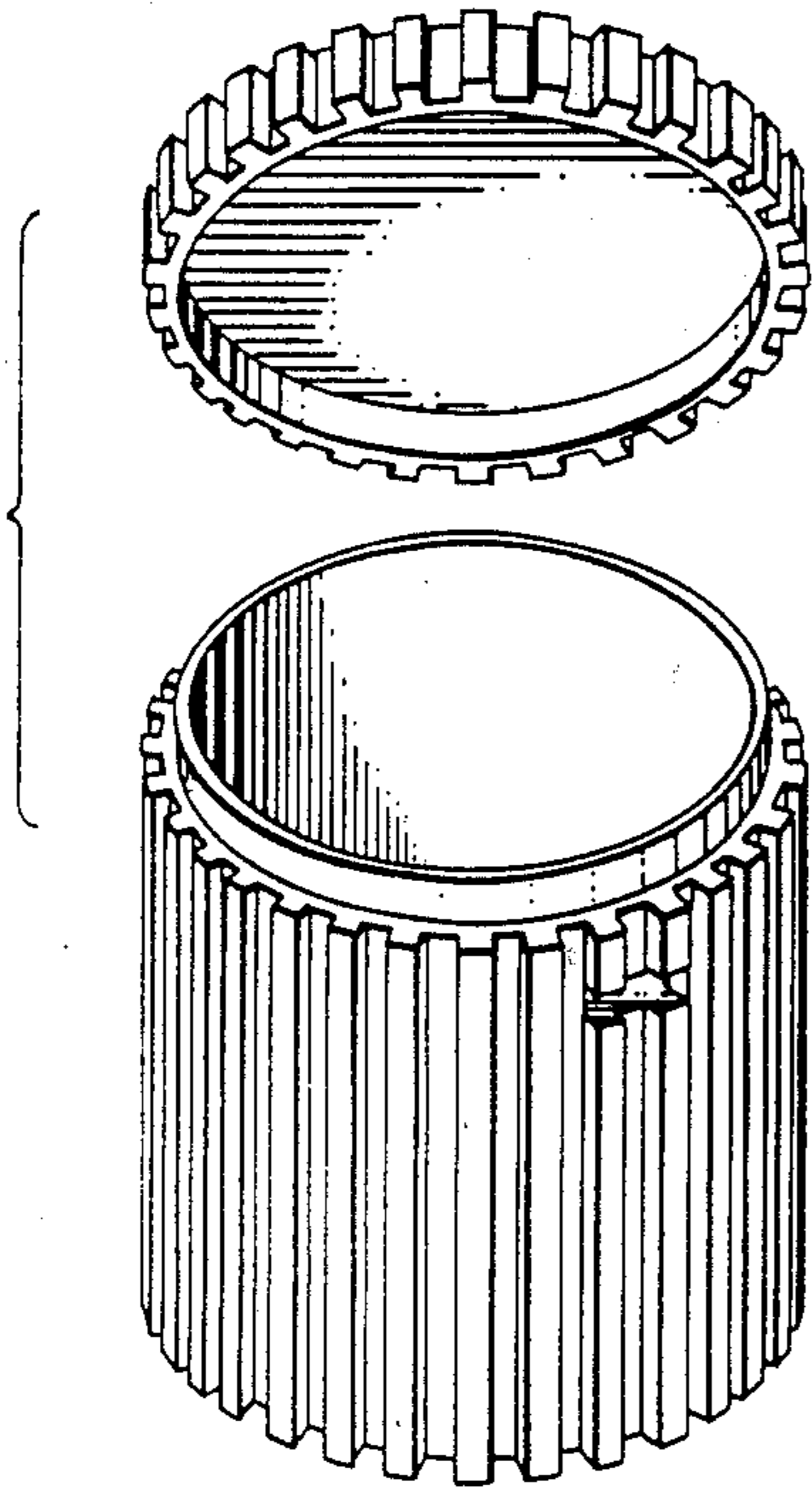


FIG. 1

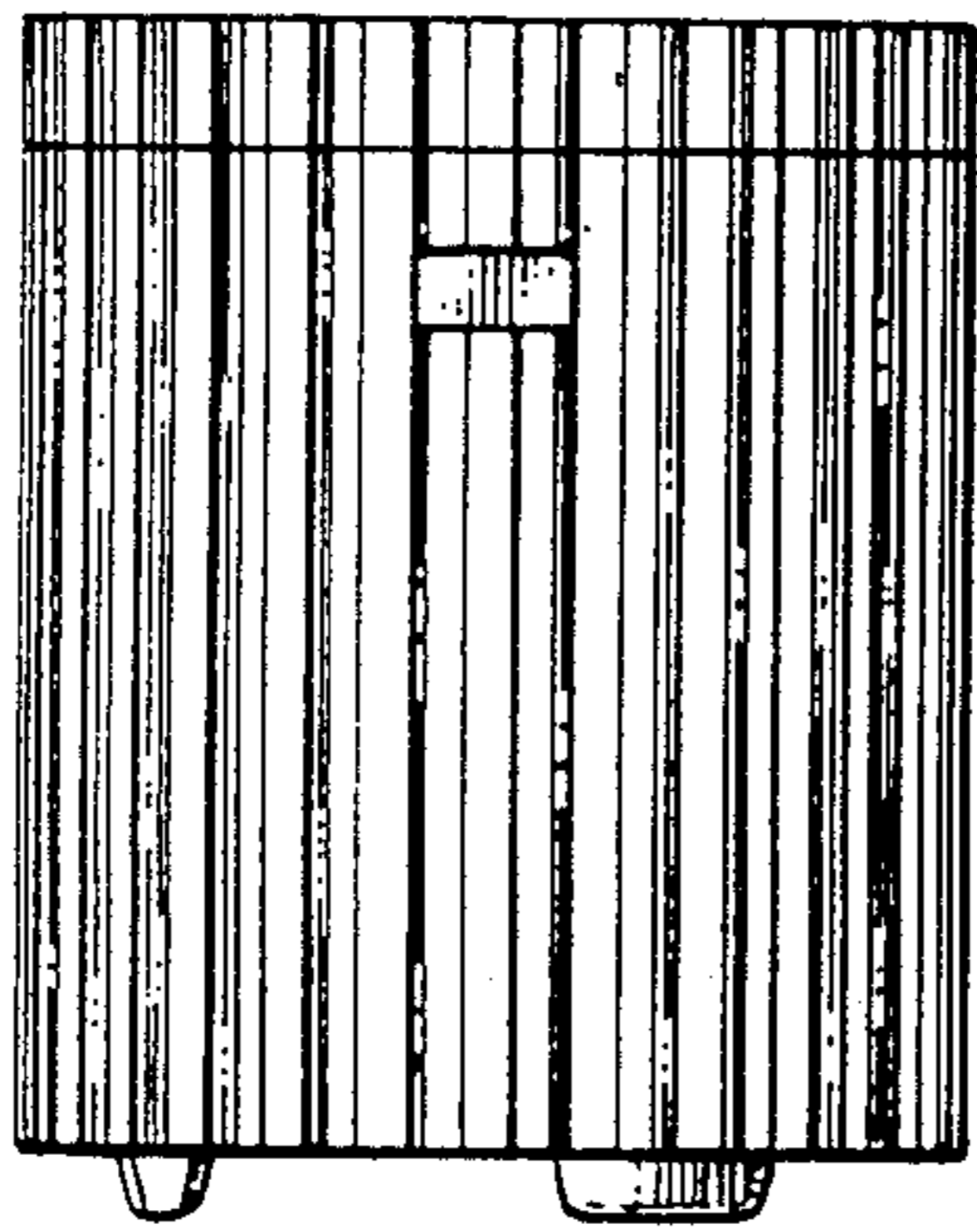


FIG. 3

FIG. 2

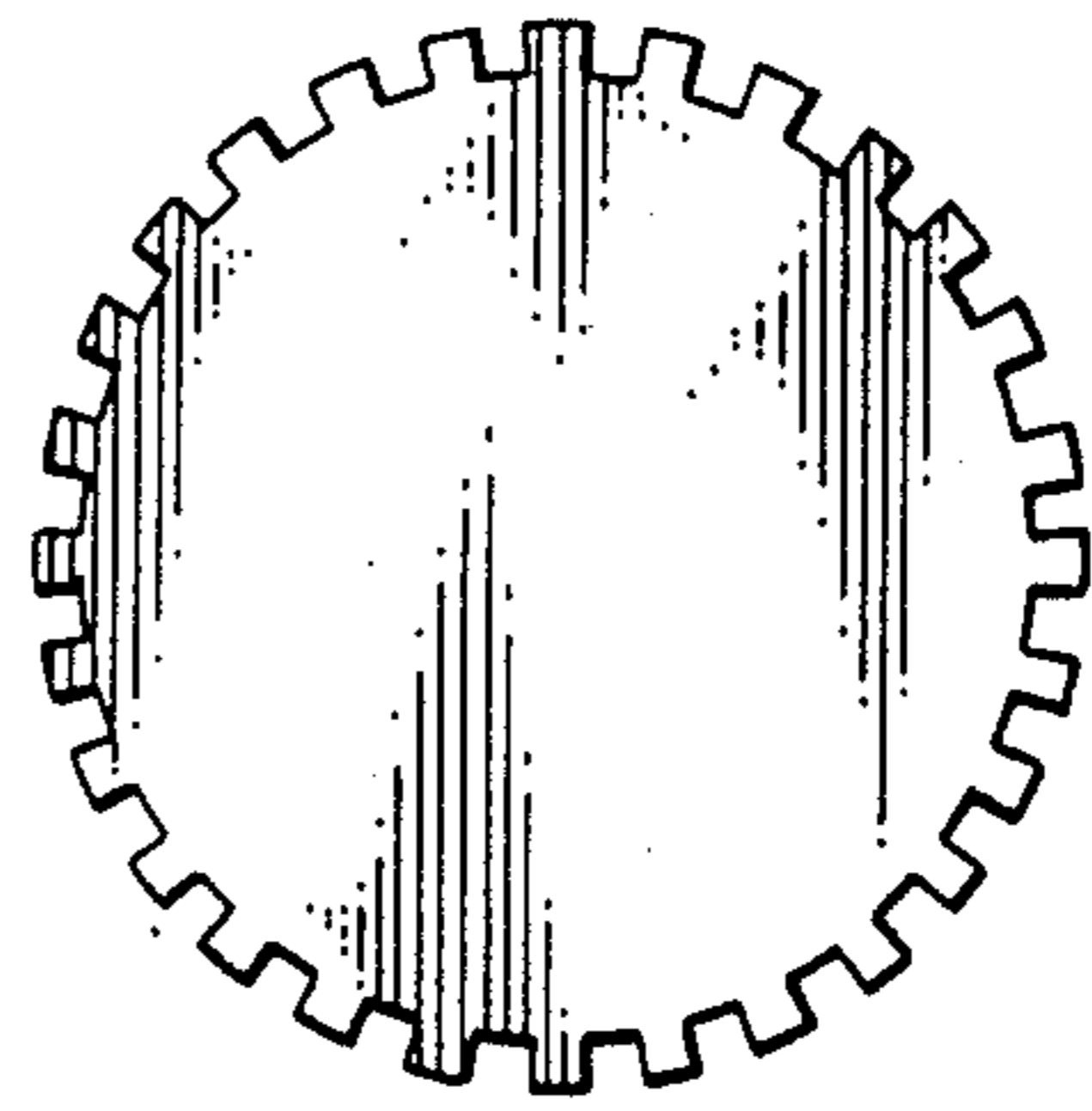
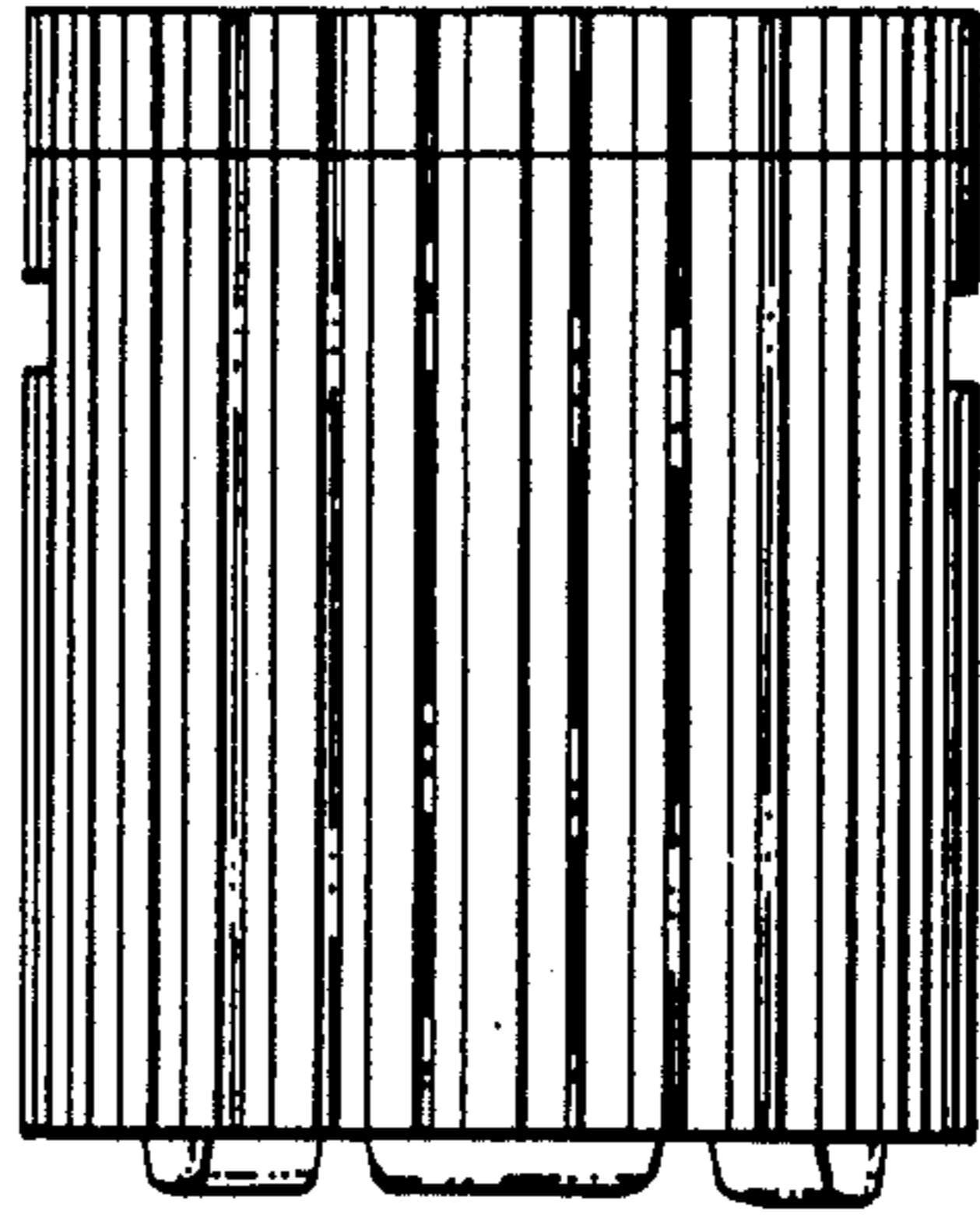


FIG. 4

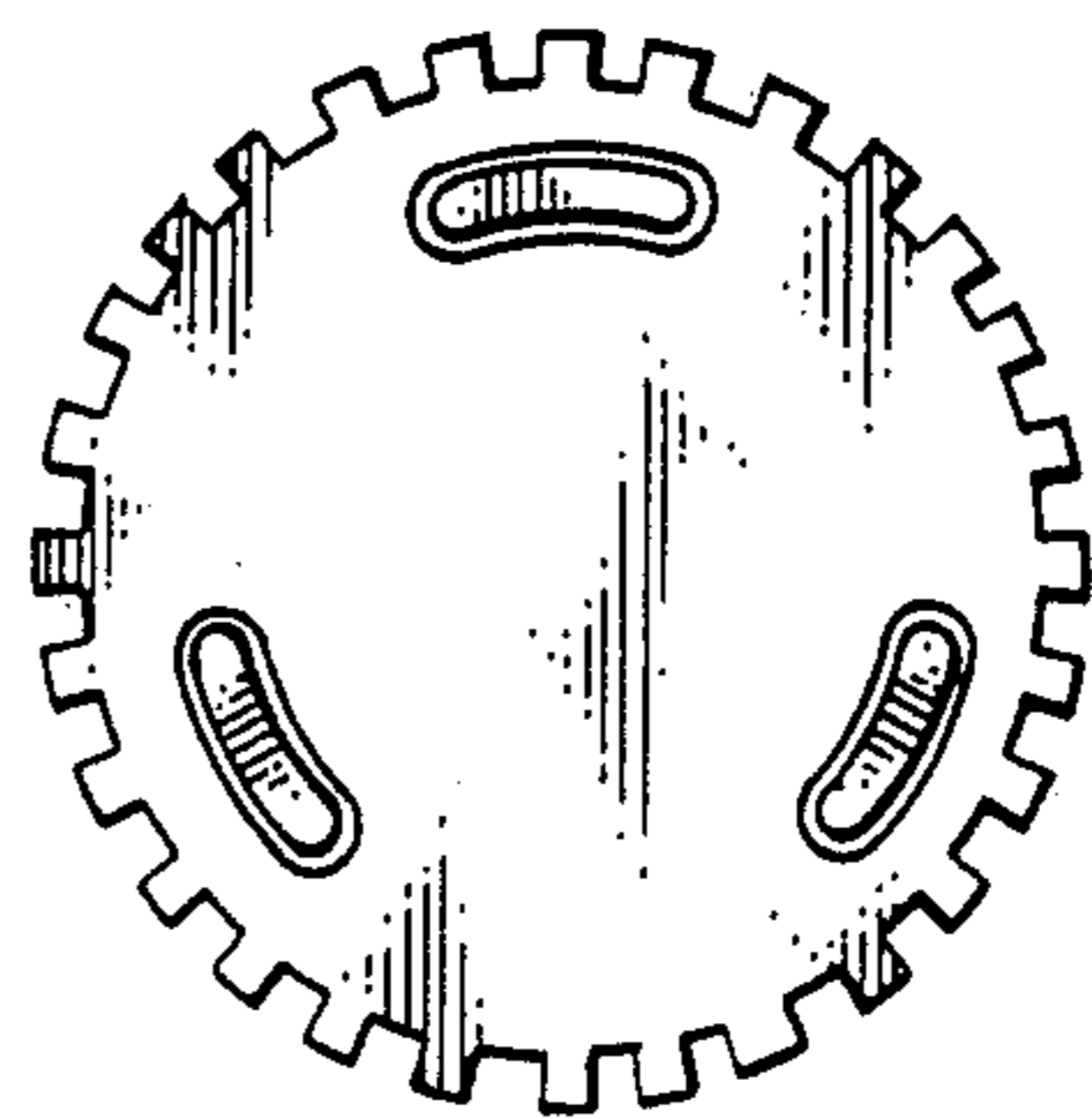


FIG. 5